



US00D528592S

(12) **United States Design Patent** (10) **Patent No.:** **US D528,592 S**
Asada et al. (45) **Date of Patent:** **** Sep. 19, 2006**

(54) **PAPER FEED CASSETTE**
 (75) Inventors: **Tetsuo Asada**, Kuwana (JP); **Yukio Shiohara**, Nagoya (JP)
 (73) Assignee: **Brother Industries, Ltd.**, Nagoya (JP)
 (**) Term: **14 Years**

6,209,861 B1 * 4/2001 Kakuta et al. 271/3.02
 6,893,015 B1 * 5/2005 Tan et al. 271/171
 6,916,020 B1 * 7/2005 Hasegawa 271/171
 2002/0141800 A1 * 10/2002 Fuchi et al. 399/388
 2004/0042803 A1 * 3/2004 Fujikura 399/23
 2004/0096252 A1 * 5/2004 Nobe 399/363
 2004/0188922 A1 * 9/2004 Takahashi et al. 271/145
 2005/0074266 A1 * 4/2005 Hiramoto et al. 399/391
 2005/0111895 A1 * 5/2005 Bowen et al. 399/383
 2005/0242486 A1 * 11/2005 Lee et al. 271/121

(21) Appl. No.: **29/210,830**
 (22) Filed: **Aug. 9, 2004**

* cited by examiner

(30) **Foreign Application Priority Data**

Mar. 5, 2004 (JP) 2004-006762

Primary Examiner—Caron Veynar
Assistant Examiner—Garth Rademaker
 (74) *Attorney, Agent, or Firm*—Oliff & Berridge, PLC

(51) **LOC (8) Cl.** **18-99**
 (52) **U.S. Cl.** **D18/49**
 (58) **Field of Classification Search** D18/36-41,
 D18/43-49, 56; D14/462-471; 222/DIG. 1;
 355/97, 112; 399/16-23, 361, 363, 381-384,
 399/388-391, 393; 271/3.02, 3.08, 18, 145,
 271/160, 171, 226, 241, 264
 See application file for complete search history.

(57) **CLAIM**

The ornamental design for a paper feed cassette, as shown and described.

DESCRIPTION

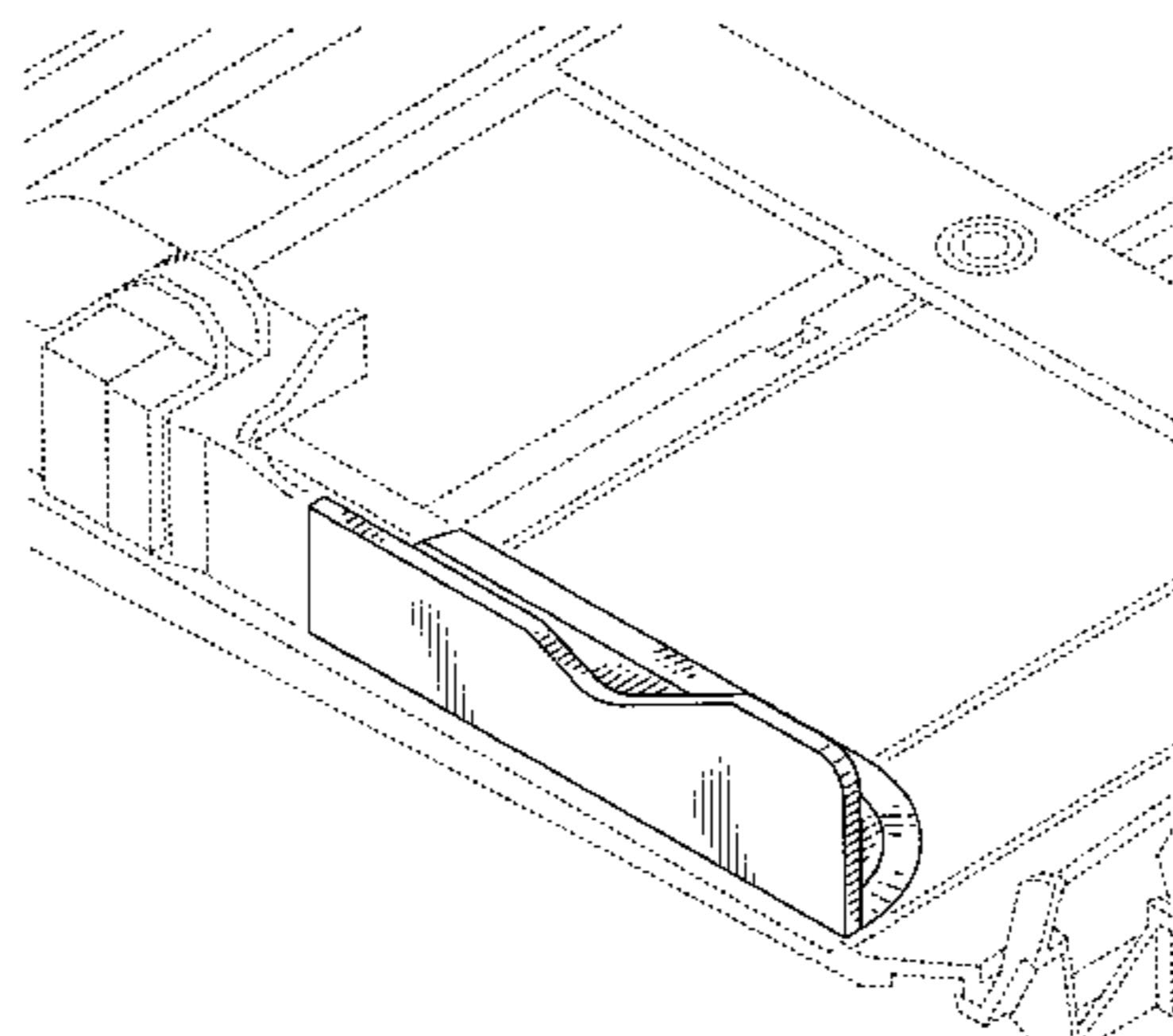
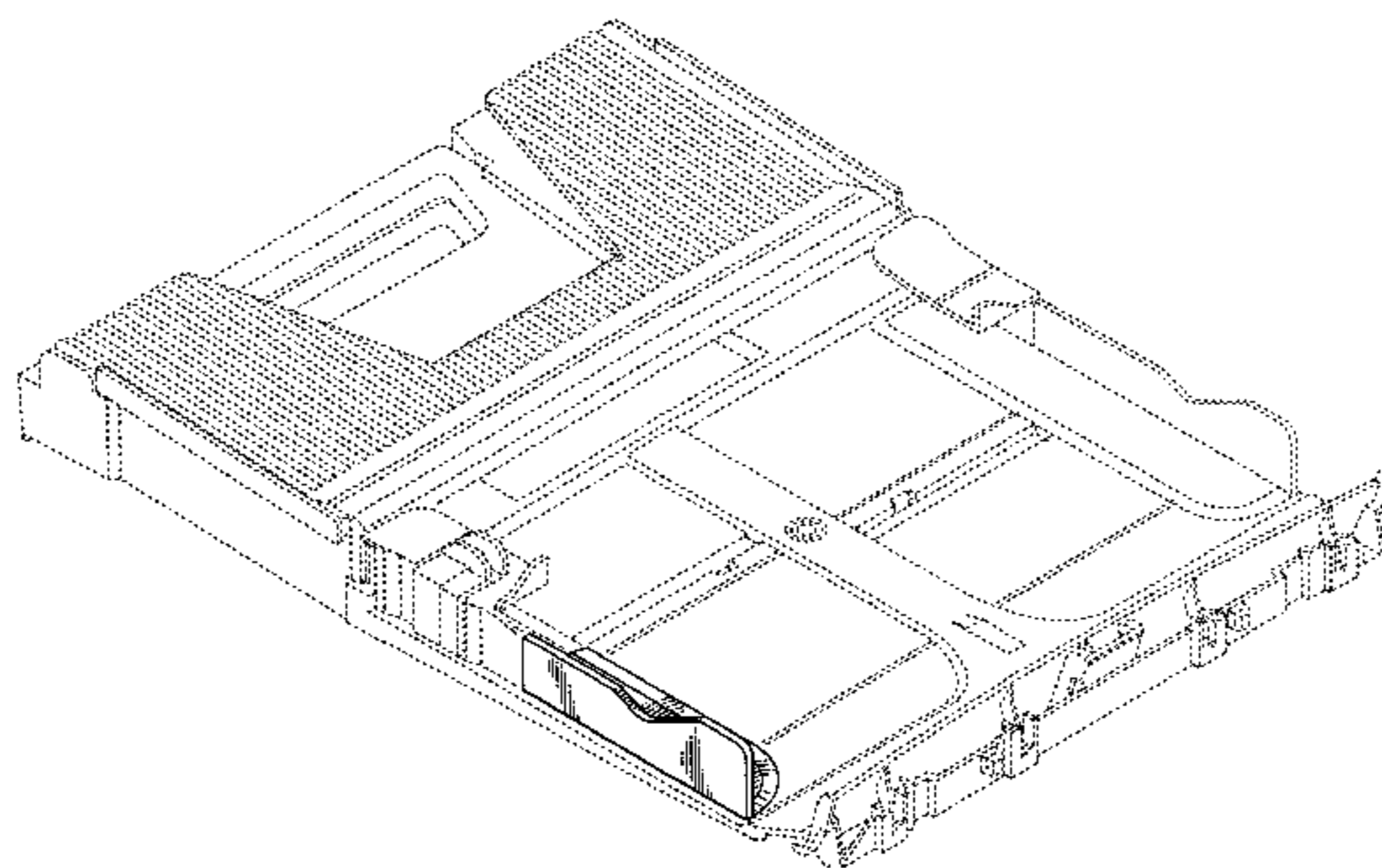
FIG. 1 is a perspective view of a paper feed cassette;
 FIG. 2 is an enlarged partial perspective view thereof;
 FIG. 3 is a top view thereof;
 FIG. 4 is an enlarged partial top view thereof;
 FIG. 5 is a left-side view thereof;
 FIG. 6 is a front view thereof;
 FIG. 7 is an interior right-side view thereof taken along the lines 7—7 of FIG. 3;
 FIG. 8 is a cross-sectional view taken along line 8—8 of FIG. 3; and,
 FIG. 9 is a top view thereof, like FIG. 3, illustrating the paper guide of the paper feed cassette in an alternate position.
 The broken lines are for illustrative purposes only and form no part of the claimed design.

(56) **References Cited**

U.S. PATENT DOCUMENTS

4,025,187 A * 5/1977 Taylor et al. 399/21
 4,206,996 A * 6/1980 Clark et al. 399/19
 5,132,719 A * 7/1992 Kioka et al. 355/24
 5,163,670 A * 11/1992 Sellers et al. 271/160
 5,332,209 A * 7/1994 Romansky et al. 271/171
 5,502,542 A * 3/1996 Takano 355/69
 5,611,526 A * 3/1997 Cornell 271/3.01
 5,716,046 A * 2/1998 Katamoto et al. 271/3.08
 5,848,847 A * 12/1998 Nakayama et al. 400/55
 5,954,328 A * 9/1999 Hatanaka 271/119
 6,206,367 B1 * 3/2001 Jo 271/264

1 Claim, 7 Drawing Sheets



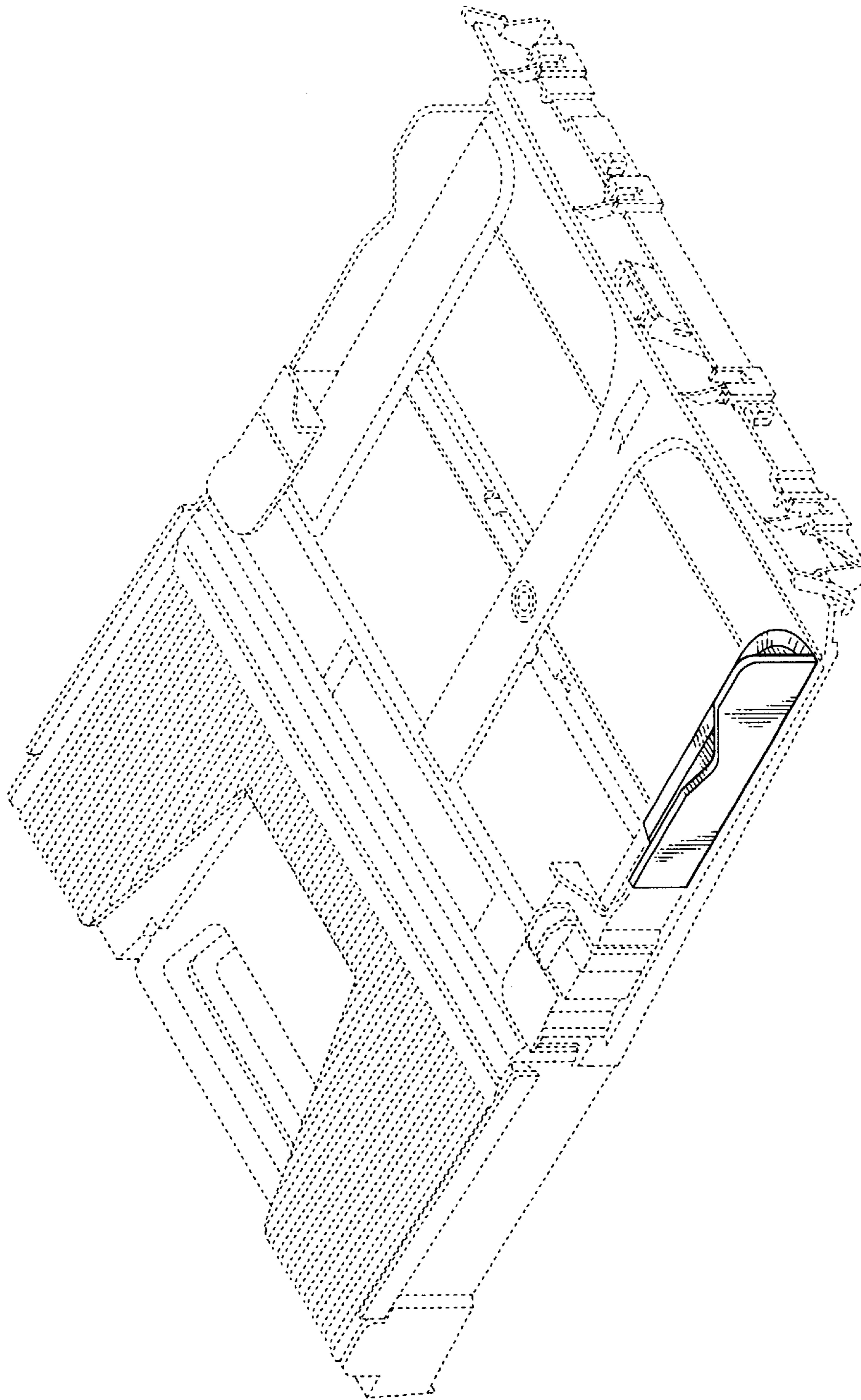


Fig. 1

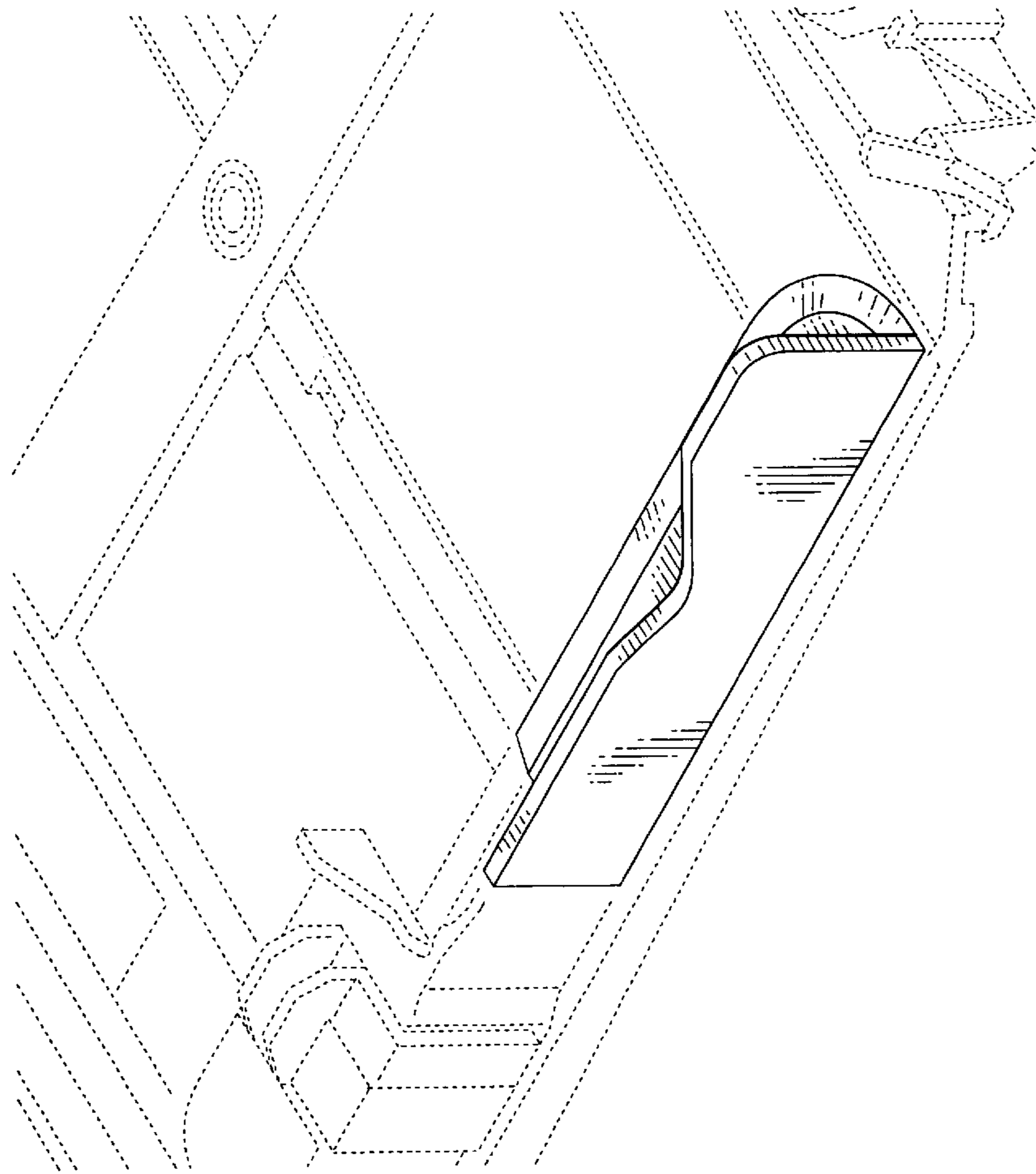


Fig. 2

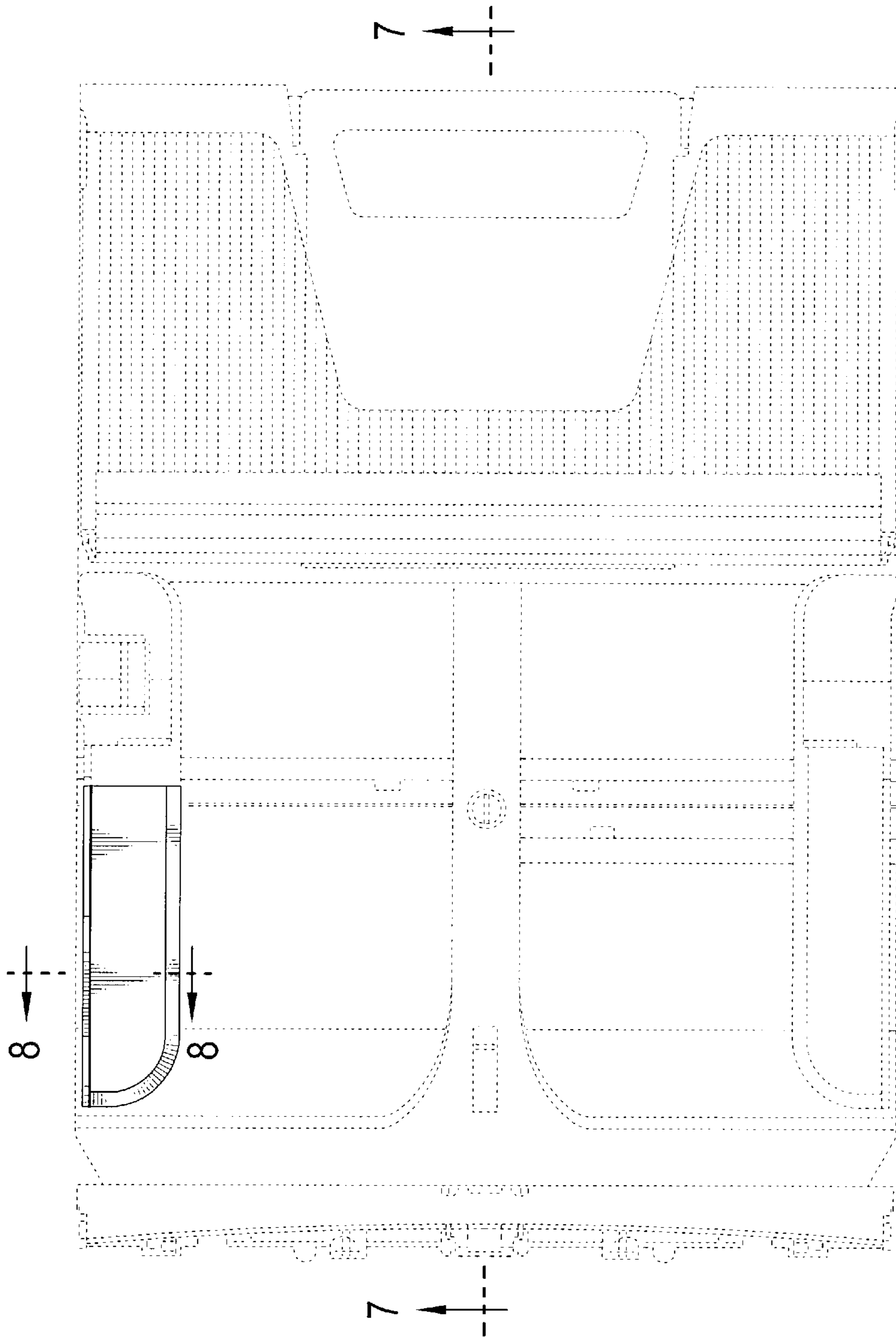


Fig. 3

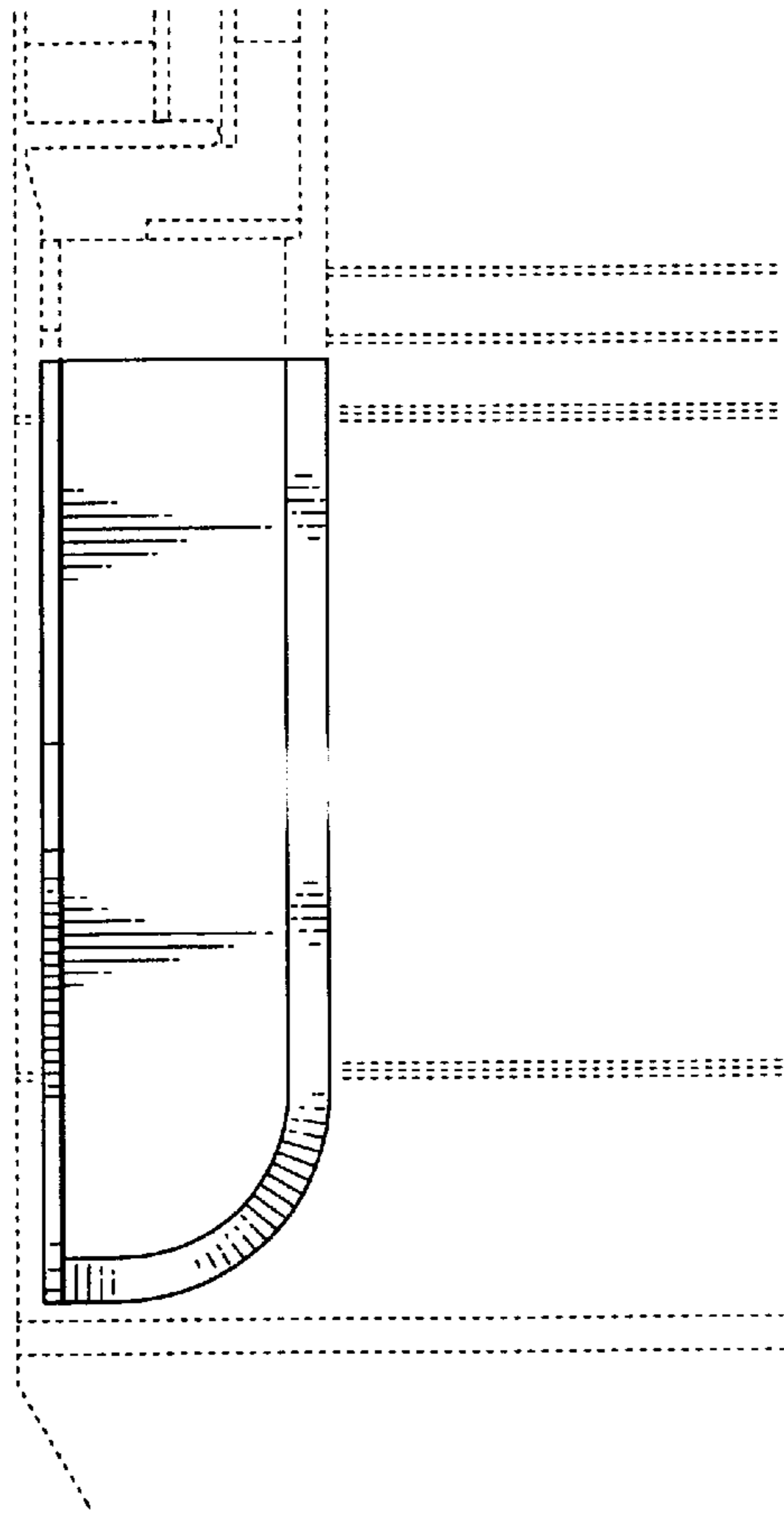


Fig. 4

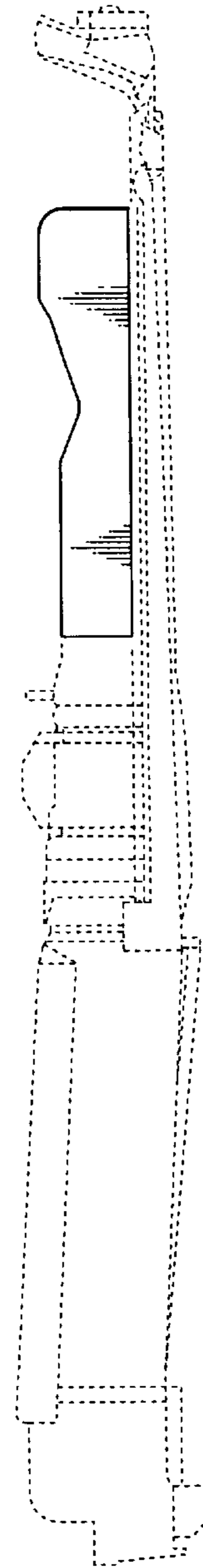


Fig. 5

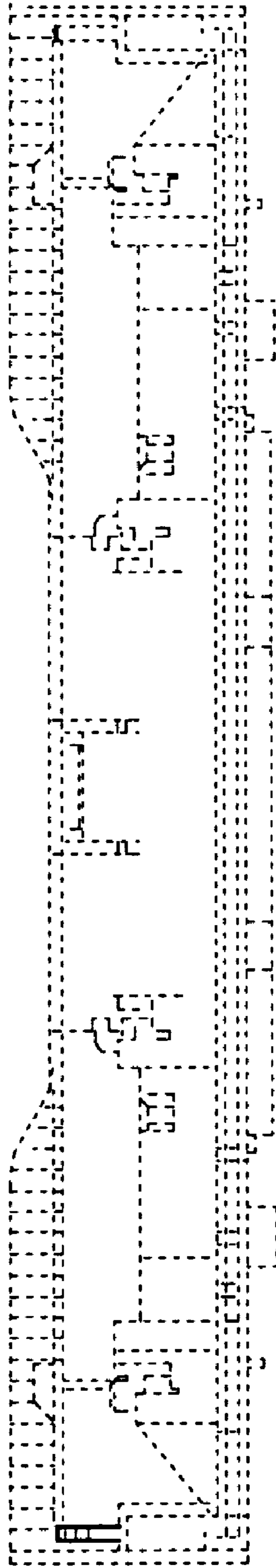


Fig. 6

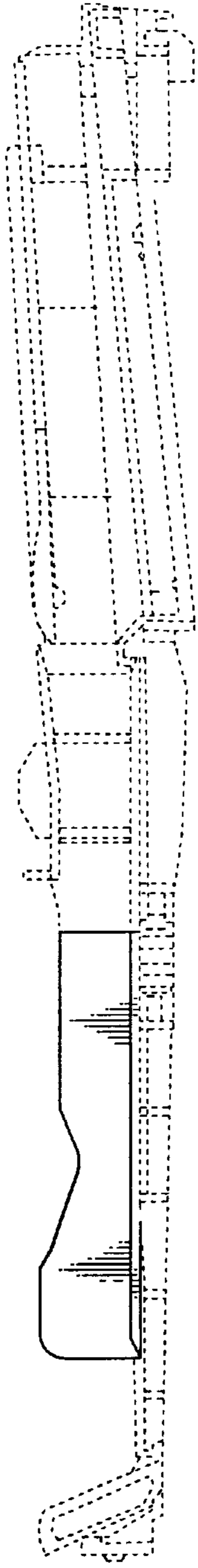


Fig. 7

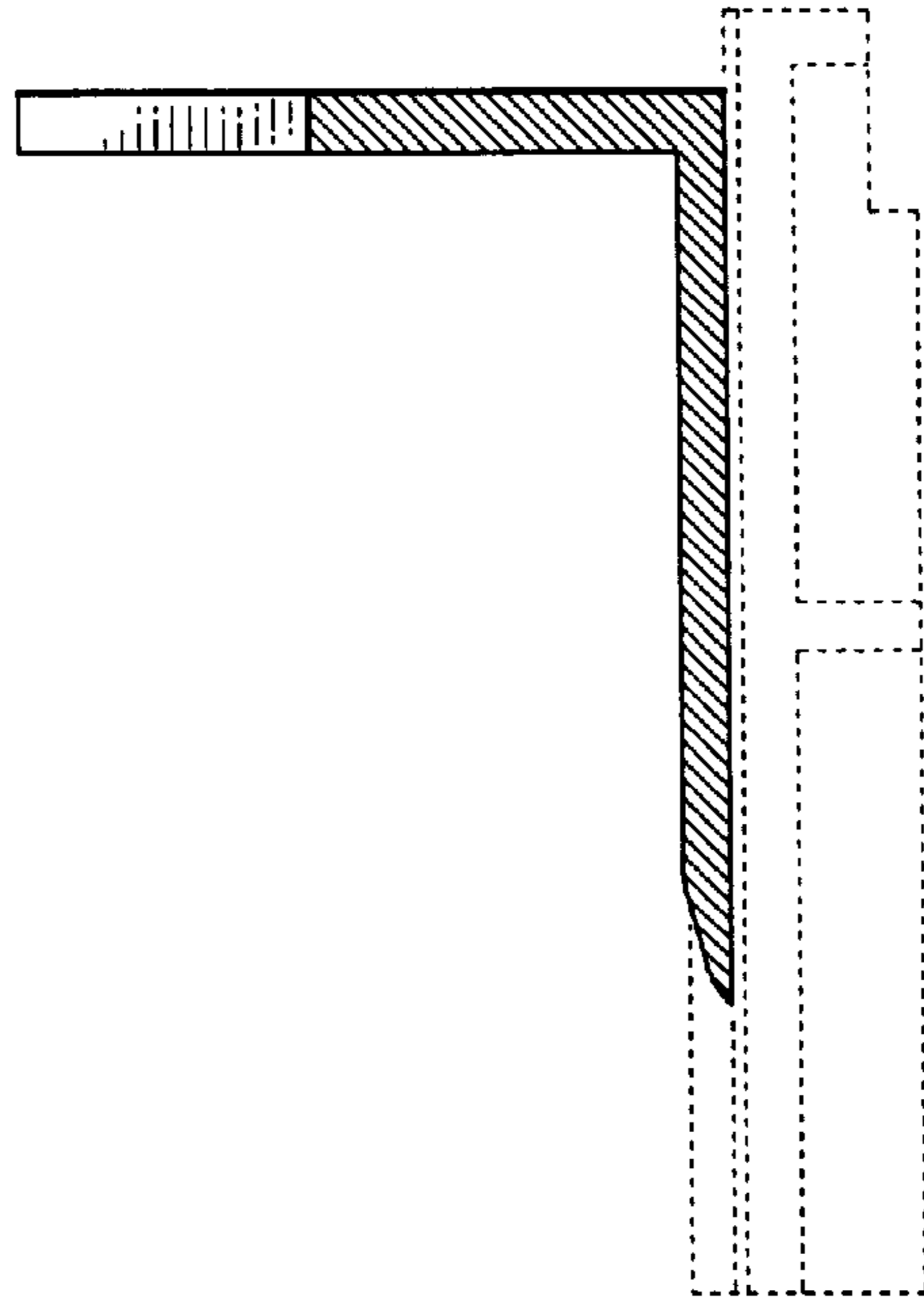


Fig. 8

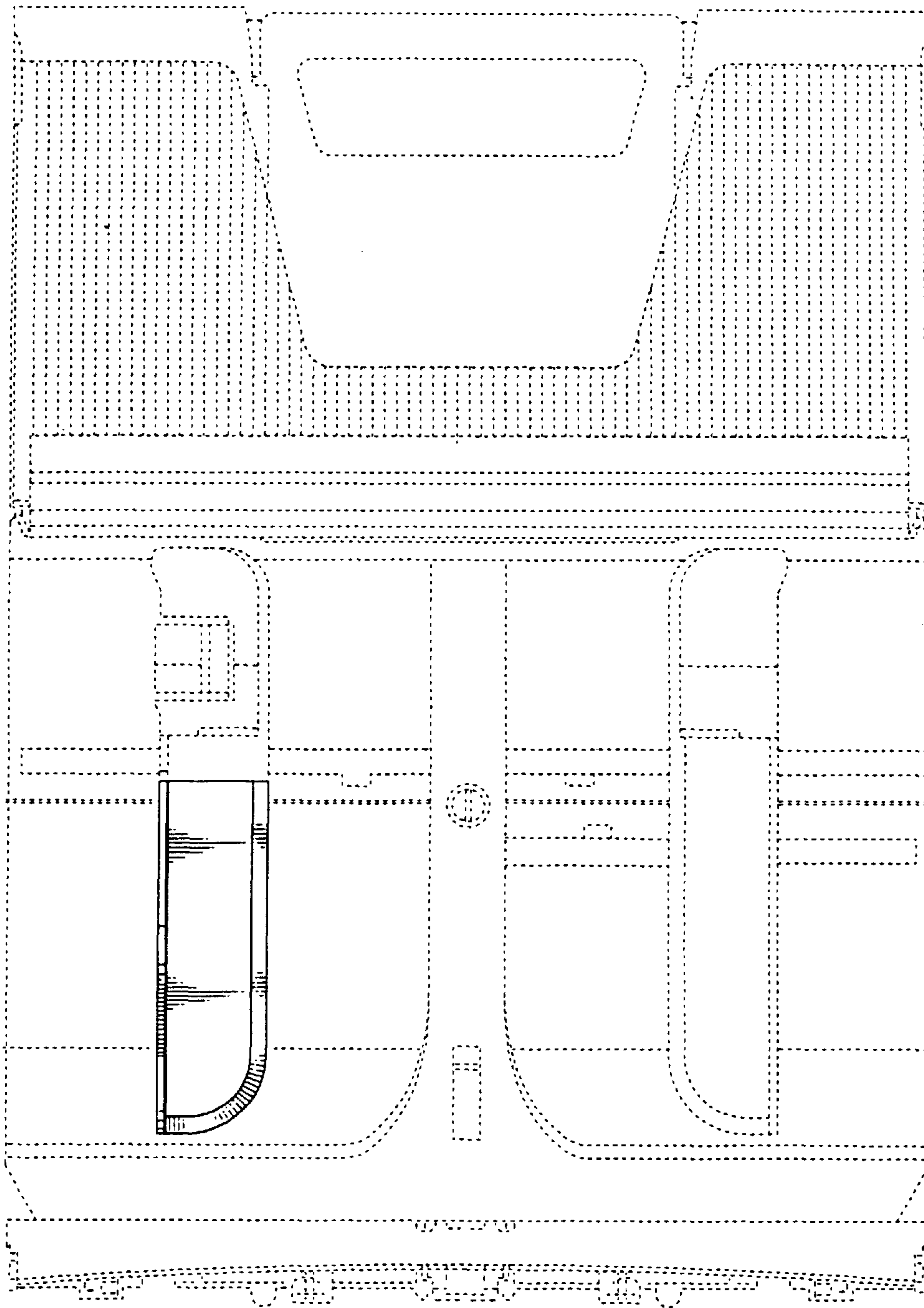


Fig. 9