

US00D528591S

(12) **United States Design Patent**
Hashimoto et al.

(10) **Patent No.:** **US D528,591 S**

(45) **Date of Patent:** **** Sep. 19, 2006**

(54) **IMAGE FORMING APPARATUS**

(75) Inventors: **Koji Hashimoto**, Sunto-gun (JP);
Kazuo Chadani, Sunto-gun (JP);
Tomonori Mori, Numazu (JP); **Kinya**
Harada, Susono (JP); **Kazuhiko**
Kanno, Odawara (JP)

(73) Assignee: **Canon Kabushiki Kaisha**, Tokyo (JP)

(**) Term: **14 Years**

(21) Appl. No.: **29/228,904**

(22) Filed: **May 2, 2005**

(30) **Foreign Application Priority Data**

Feb. 22, 2005 (JP) 2005-004695

(51) **LOC (8) Cl.** **16-03**

(52) **U.S. Cl.** **D18/43**

(58) **Field of Classification Search** D18/12,
D18/36, 40, 43, 44, 56; D14/462, 469-471;
222/DIG. 1; 347/197, 222; 399/24-28, 107-112,
399/119, 121, 122, 222-224; 400/207, 208
See application file for complete search history.

(56) **References Cited**

U.S. PATENT DOCUMENTS

D298,333 S * 11/1988 Masaki et al. D18/43
D298,335 S * 11/1988 Masaki et al. D18/40
D356,331 S * 3/1995 Ishibashi et al. D18/43
D394,450 S * 5/1998 Katoh et al. D18/43
5,867,751 A * 2/1999 Nomura et al. 399/111
D418,862 S * 1/2000 Ogawa et al. D18/43
D433,441 S * 11/2000 Yonekawa et al. D18/43

6,505,020 B1 * 1/2003 Higeta et al. 399/109
D474,232 S * 5/2003 Kawai et al. D18/40
D474,497 S * 5/2003 Kawai et al. D18/40
D477,631 S 7/2003 Mori et al. D18/40
D489,752 S 5/2004 Yamaguchi et al. D18/40
7,024,133 B1 * 4/2006 Nagashima et al. 399/111
2001/0022902 A1 * 9/2001 Nittani et al. 399/111
2002/0106213 A1 * 8/2002 Higeta et al. 399/109
2002/0150404 A1 * 10/2002 Matsuzaka et al. 399/111
2003/0142994 A1 * 7/2003 Harada et al. 399/111
2003/0156848 A1 * 8/2003 Kawai et al. 399/27
2003/0185587 A1 * 10/2003 Kawai et al. 399/111
2005/0207781 A1 * 9/2005 Askren et al. 399/110
2005/0220485 A1 * 10/2005 Yokomori et al. 399/111
2006/0072936 A1 * 4/2006 Numagami et al. 399/111

* cited by examiner

Primary Examiner—Caron D. Veynar

Assistant Examiner—Garth Rademaker

(74) *Attorney, Agent, or Firm*—Fitzpatrick, Cella, Harper & Scinto

(57) **CLAIM**

The ornamental design for an image forming apparatus, as shown and described.

DESCRIPTION

FIG. 1 is a front view of an image forming apparatus showing our new design;

FIG. 2 is a rear view thereof;

FIG. 3 is a top plan view thereof;

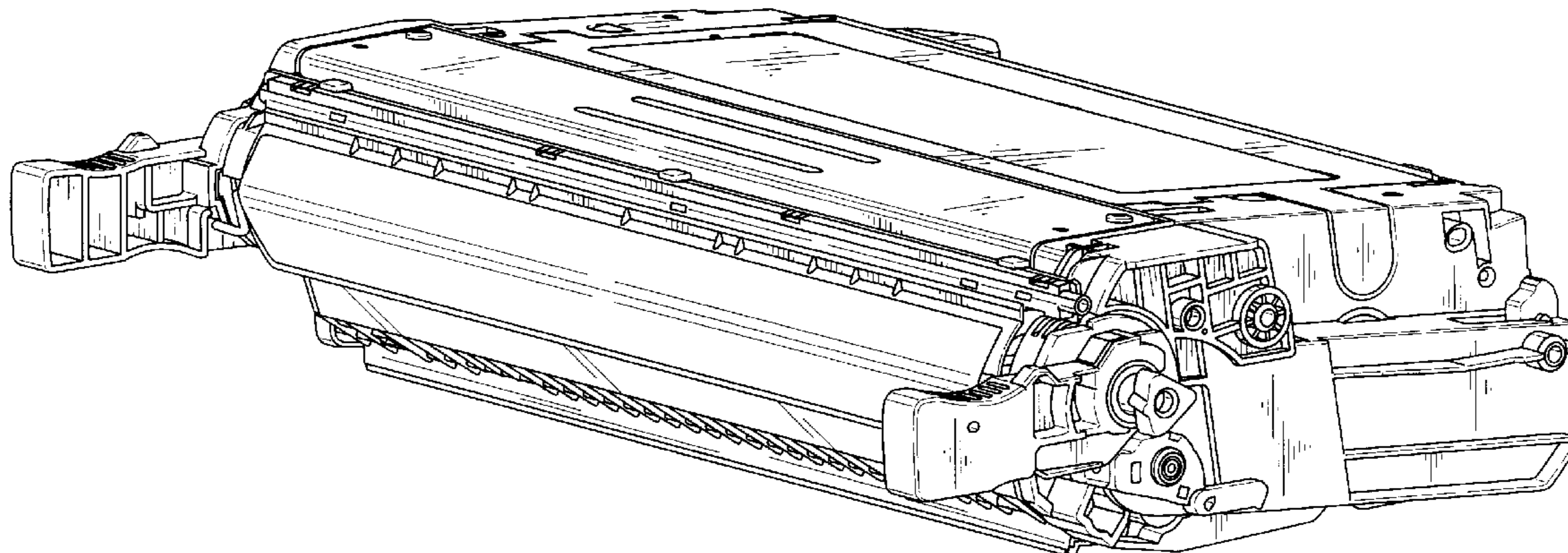
FIG. 4 is a bottom plan view thereof;

FIG. 5 is a left side view thereof;

FIG. 6 is a right side view thereof; and,

FIG. 7 is a perspective view thereof.

1 Claim, 6 Drawing Sheets



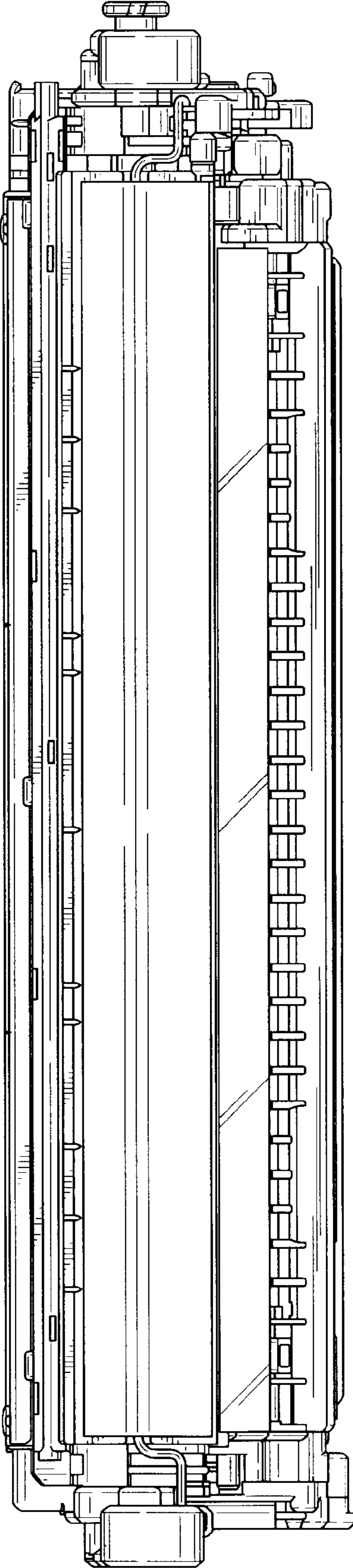


FIG. 1

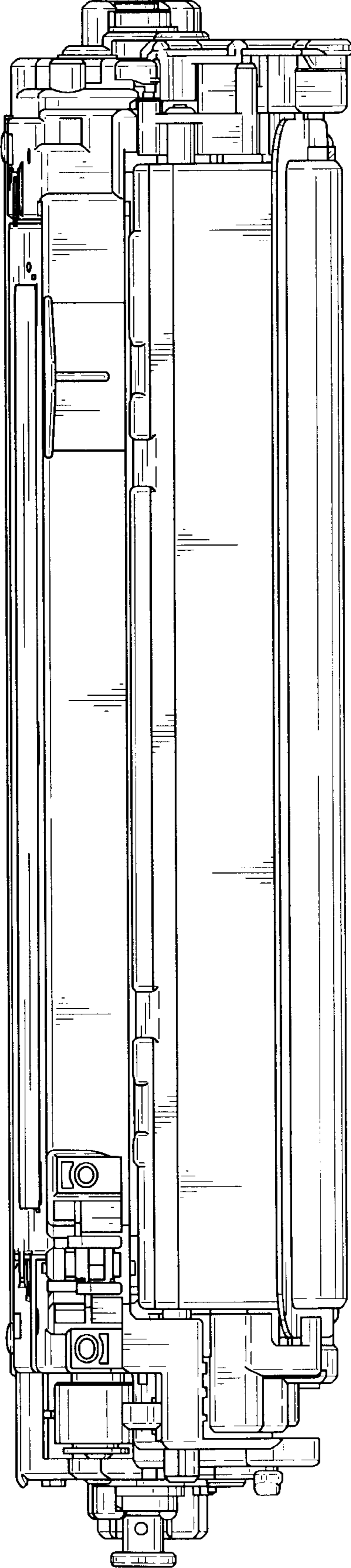


FIG. 2

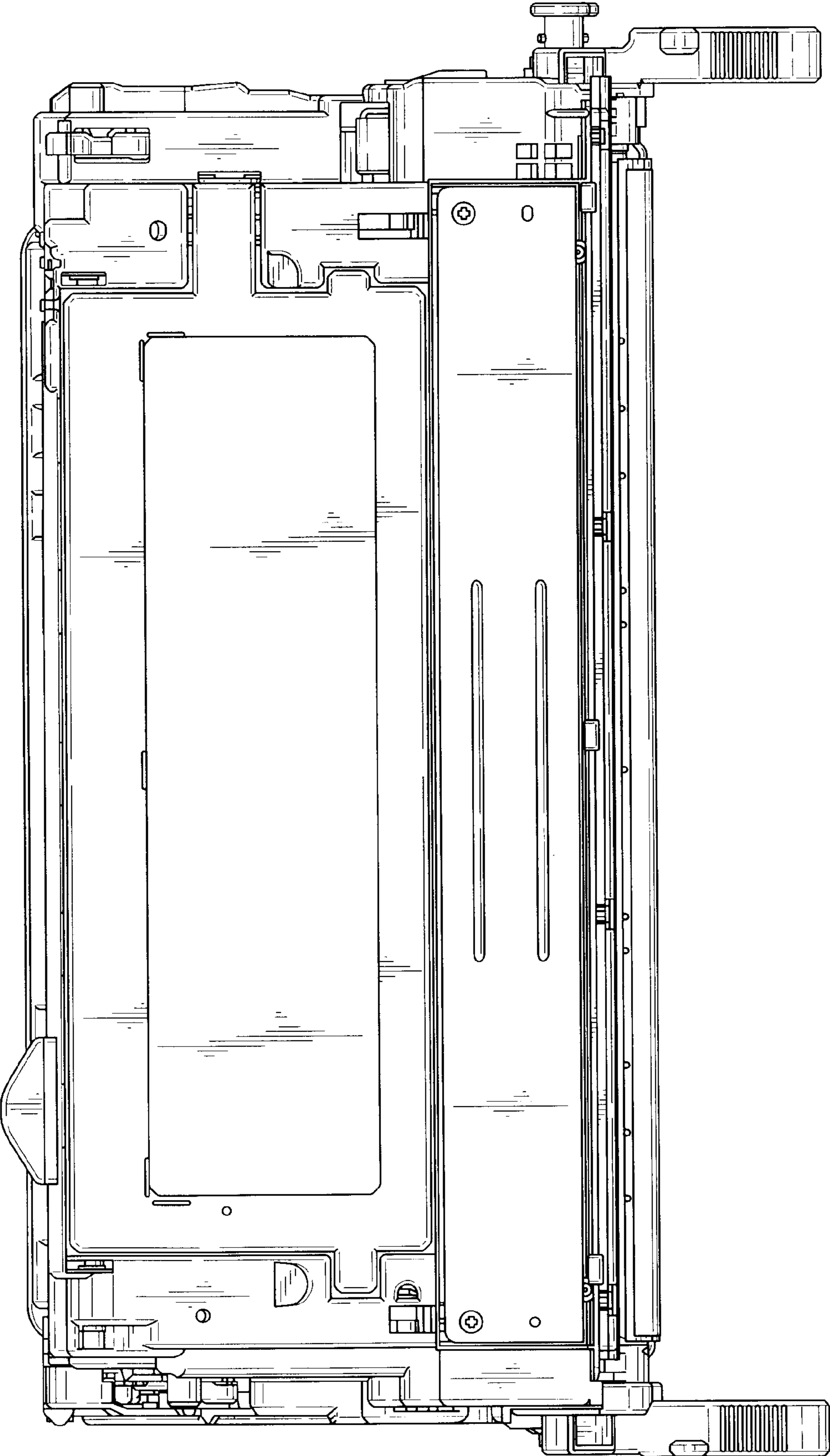


FIG. 3

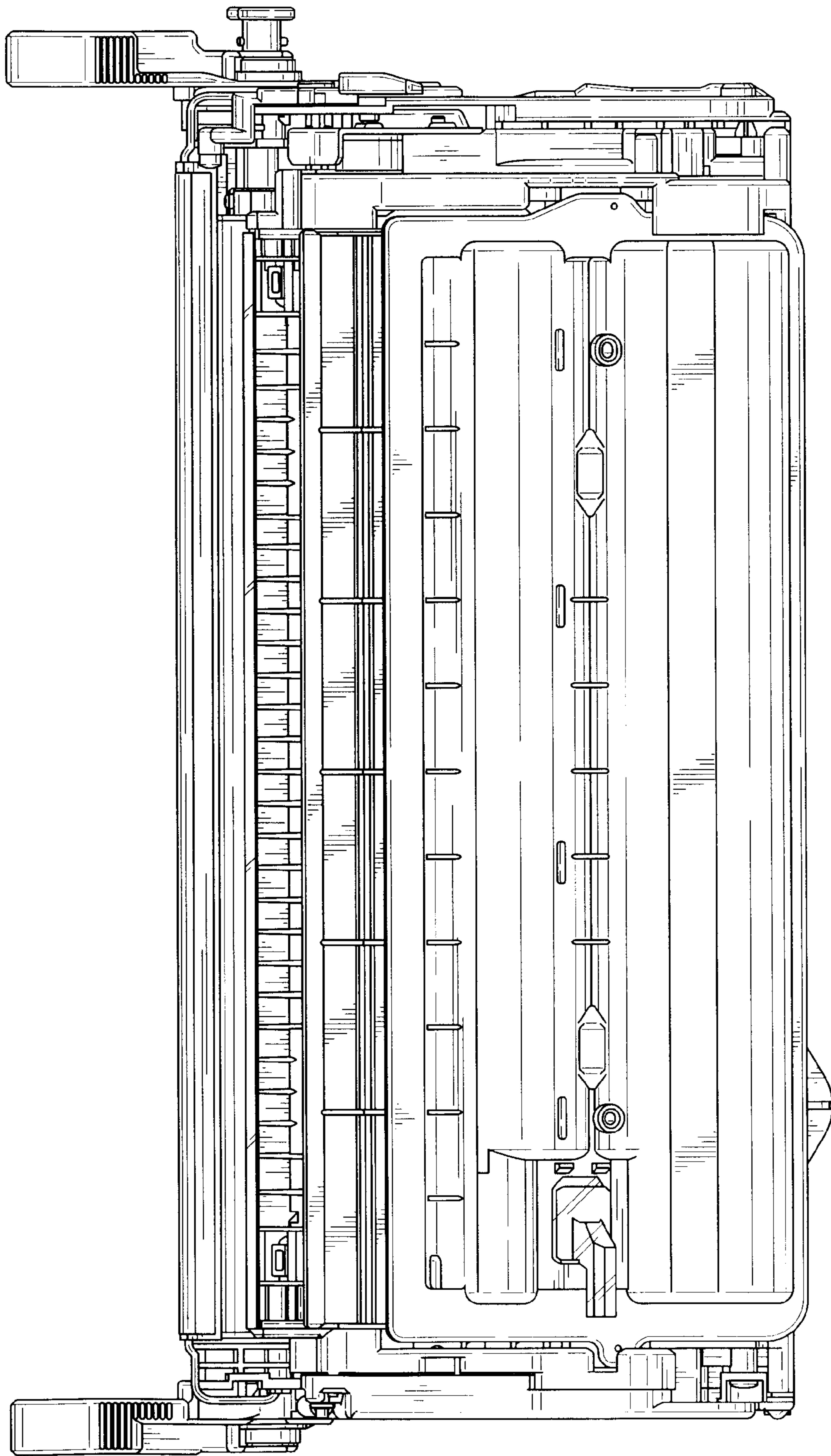


FIG. 4

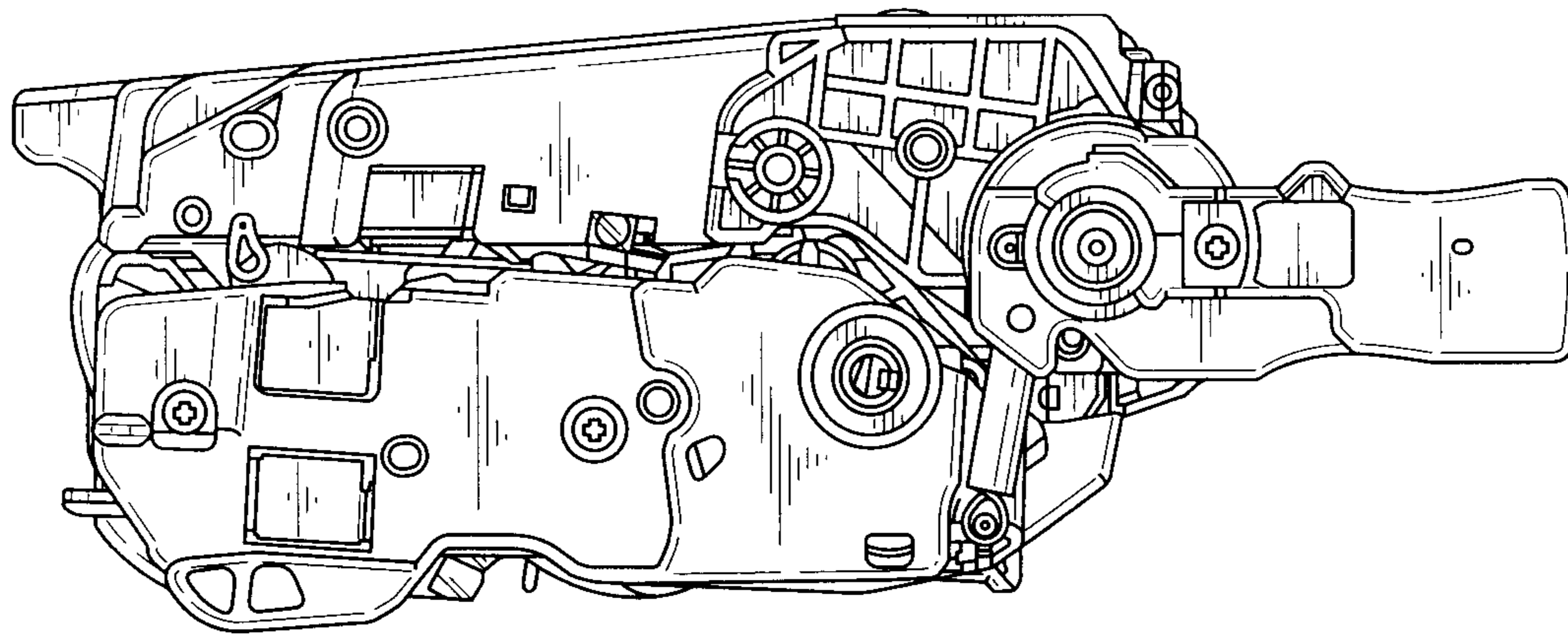


FIG. 5

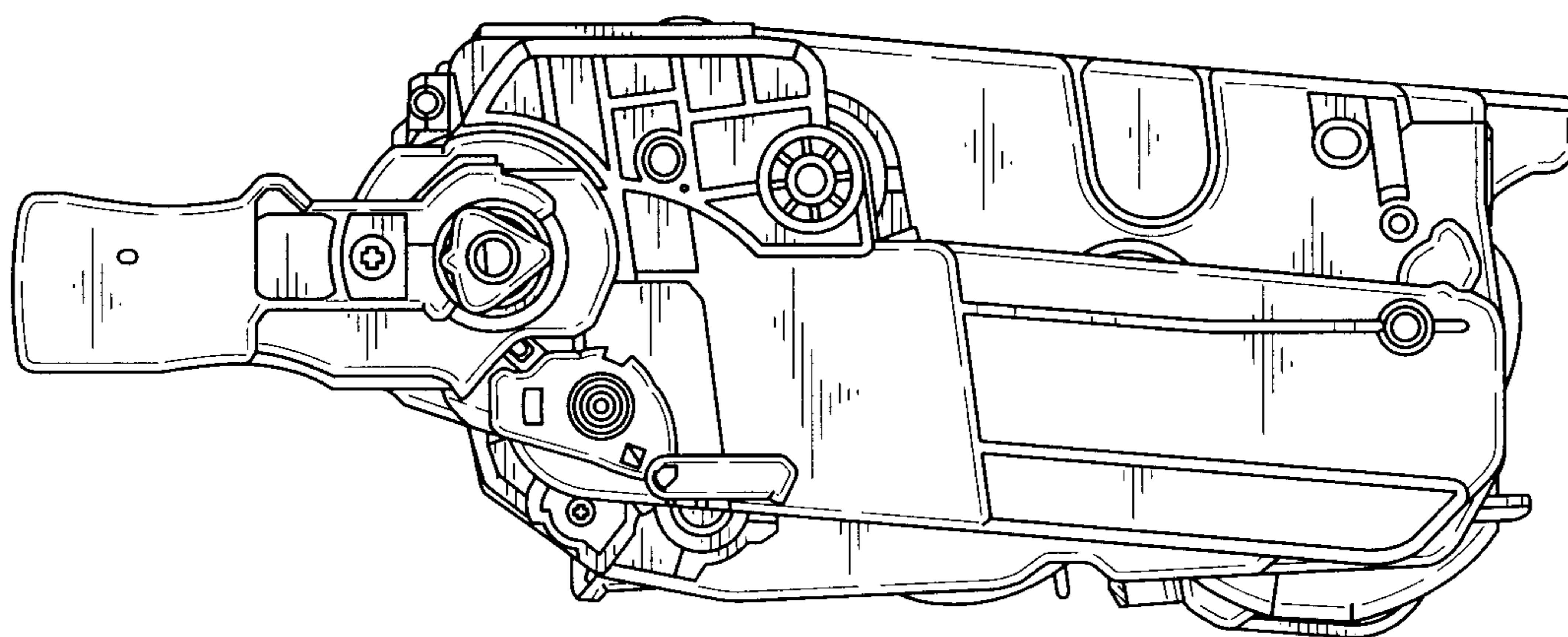


FIG. 6

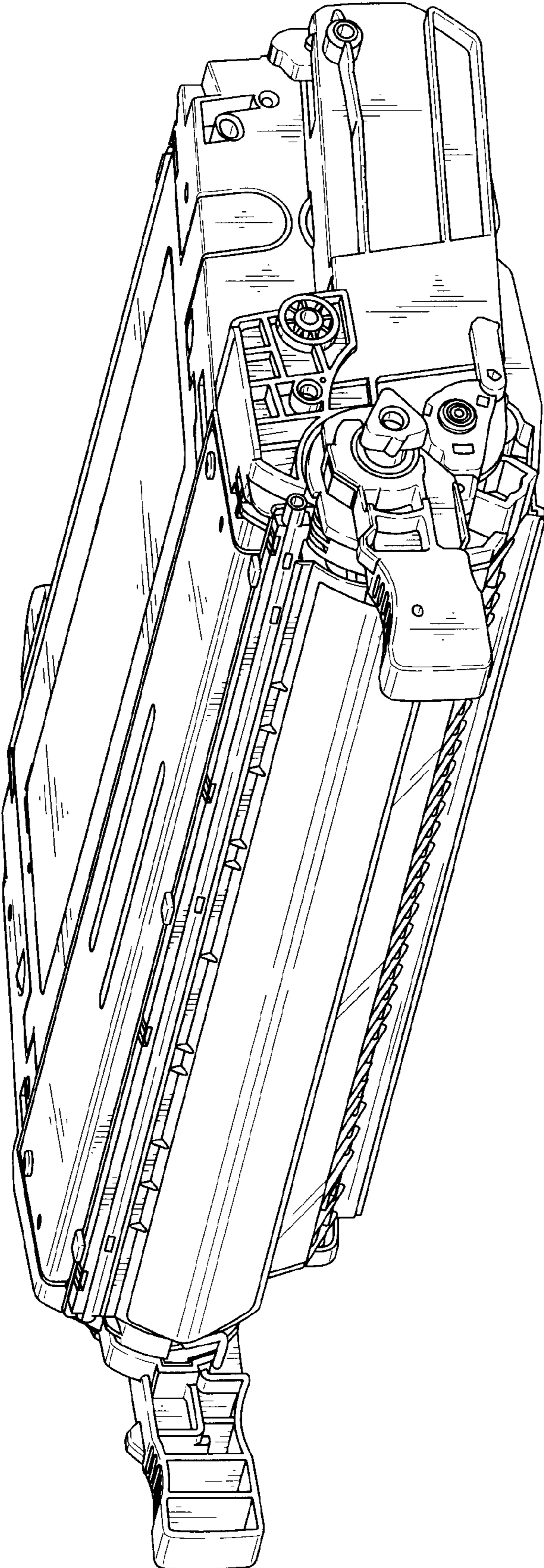


FIG. 7