

US00D528590S

(12) **United States Design Patent**
Bathard et al.

(10) **Patent No.:** **US D528,590 S**

(45) **Date of Patent:** **** Sep. 19, 2006**

(54) **SWING OUT GUILLOTINE**

(75) Inventors: **Simon David Bathard**, Wales (GB);
Gareth Williams Humphreys Davies,
Wales (GB)

(73) Assignee: **Tonic Studios Limited**, Pyle Bridgend
(GB)

(**) Term: **14 Years**

(21) Appl. No.: **29/225,375**

(22) Filed: **Mar. 16, 2005**

(51) **LOC (8) Cl.** **18-04**

(52) **U.S. Cl.** **D18/34.8**

(58) **Field of Classification Search** D18/34.7,
D18/34.8, 99; D15/127, 141; 241/100, 236;
156/147, 149, 578, 908; 281/27.1, 27.2, 27.3,
281/21.2; 83/607, 614
See application file for complete search history.

(56) **References Cited**

U.S. PATENT DOCUMENTS

D322,974 S	*	1/1992	Mori	D18/34.8
D348,271 S	*	6/1994	Mori	D18/34.8
D353,150 S	*	12/1994	Mori	D18/34.8
5,398,576 A	*	3/1995	Chiu	83/614
D381,359 S	*	7/1997	Mori	D18/34.8

D415,519 S	*	10/1999	Mori	D18/34.8
D417,693 S	*	12/1999	Daley, Jr.	D18/34.8
D425,548 S	*	5/2000	Rellinger	D18/34.8
D469,461 S	*	1/2003	Gstalter	D18/34.8
D469,800 S	*	2/2003	Robillard	D18/34.8
D501,500 S	*	2/2005	Schultz et al.	D18/34.8
D501,501 S	*	2/2005	Schultz et al.	D18/34.8
2005/0172774 A1	*	8/2005	Tseng	83/614

* cited by examiner

Primary Examiner—Charles A. Rademaker

(74) *Attorney, Agent, or Firm*—Millen, White, Zelano & Branigan, P.C.

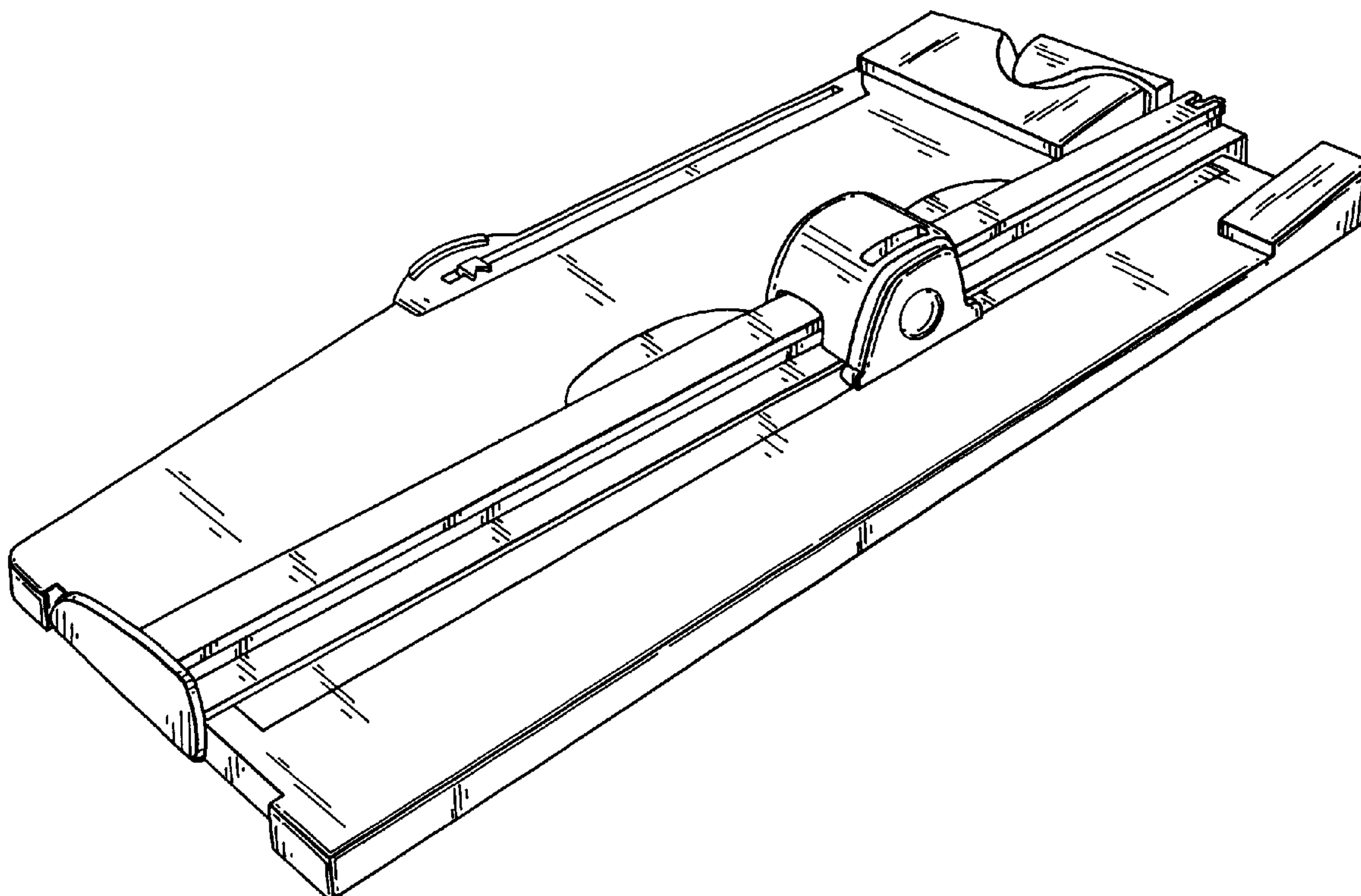
(57) **CLAIM**

The ornamental design for a swing out guillotine, as shown and described.

DESCRIPTION

FIG. 1 is a top, front and side perspective view of a swing out guillotine showing our new design;
FIG. 2 is a top plan view thereof;
FIG. 3 is a bottom perspective view thereof;
FIG. 4 is a right side elevation thereof;
FIG. 5 is a left side elevation view thereof;
FIG. 6 is an end elevation thereof; and,
FIG. 7 is an end elevation thereof of the end opposite that shown in FIG. 6.

1 Claim, 5 Drawing Sheets



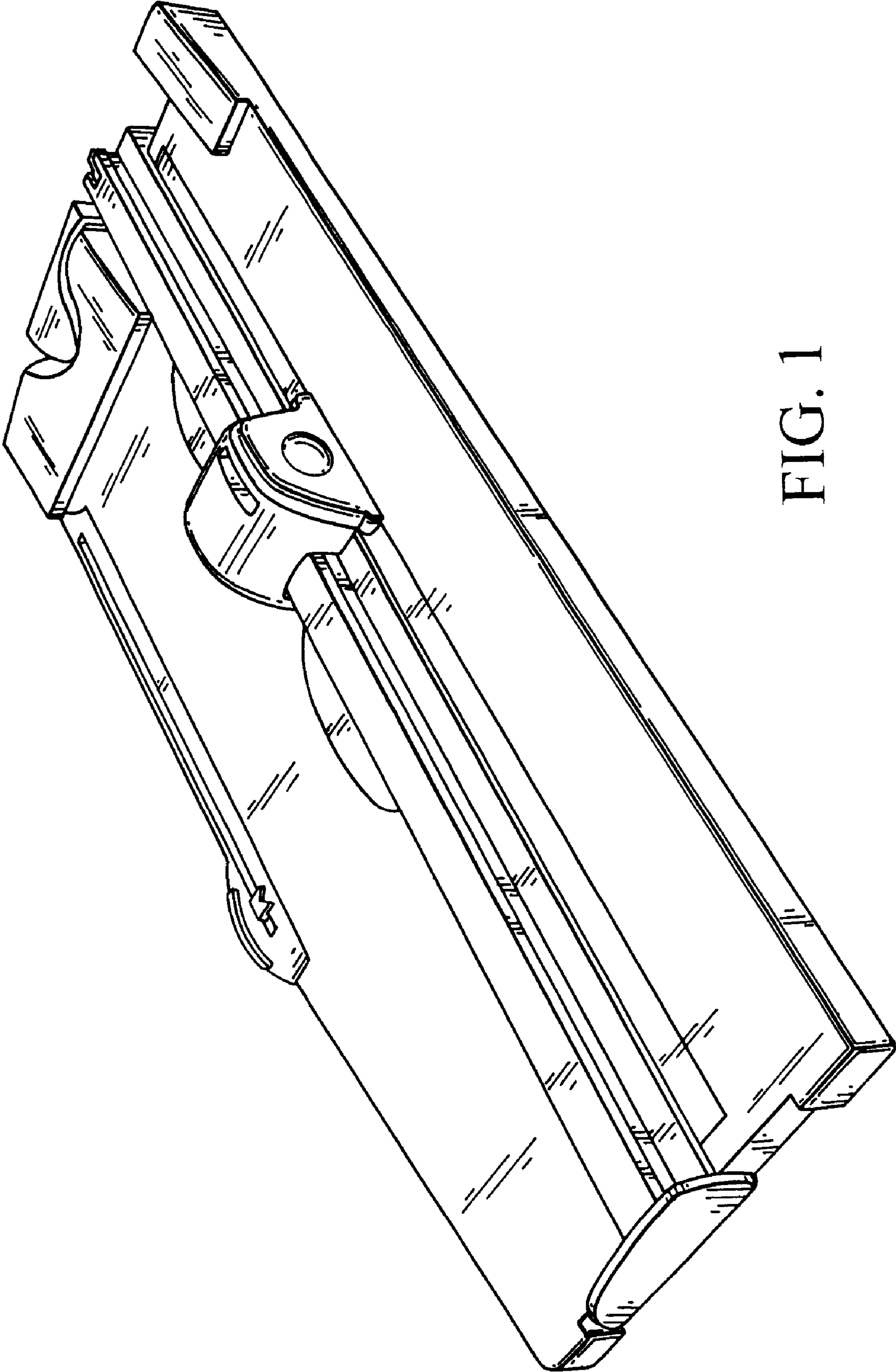


FIG. 1

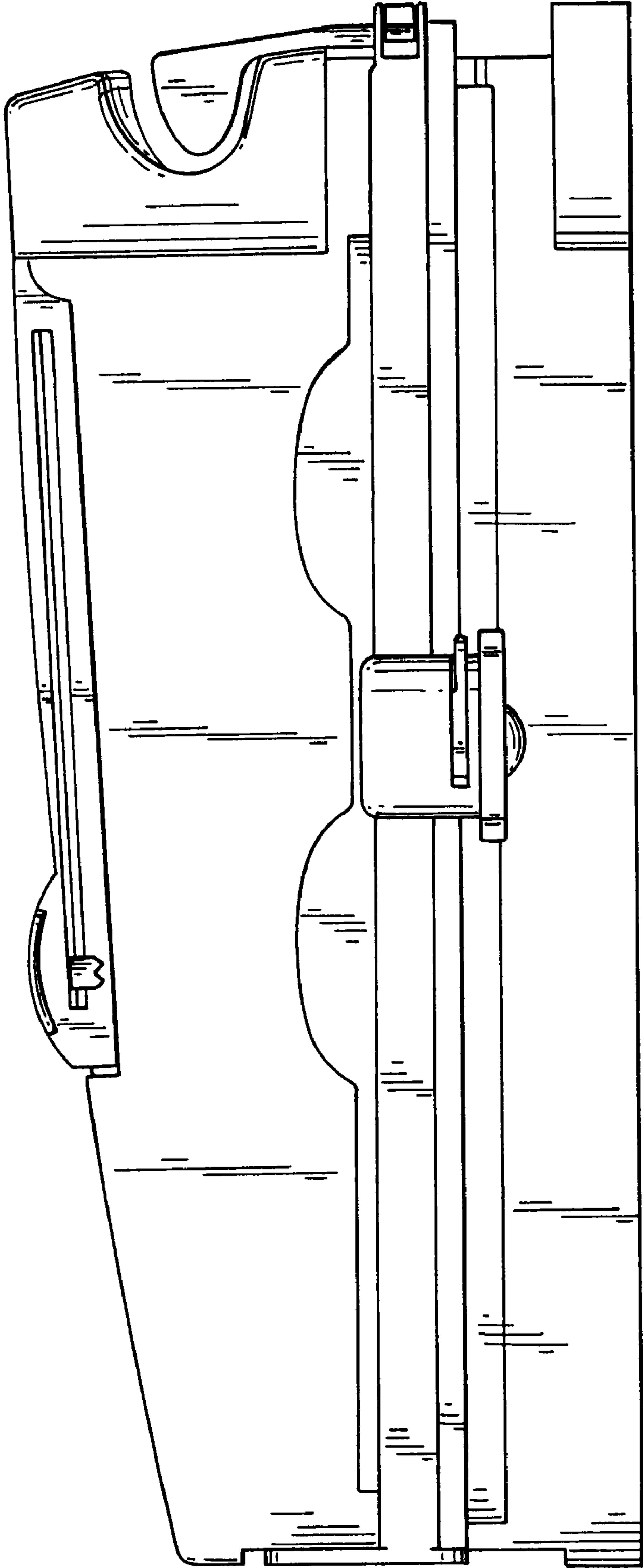


FIG. 2

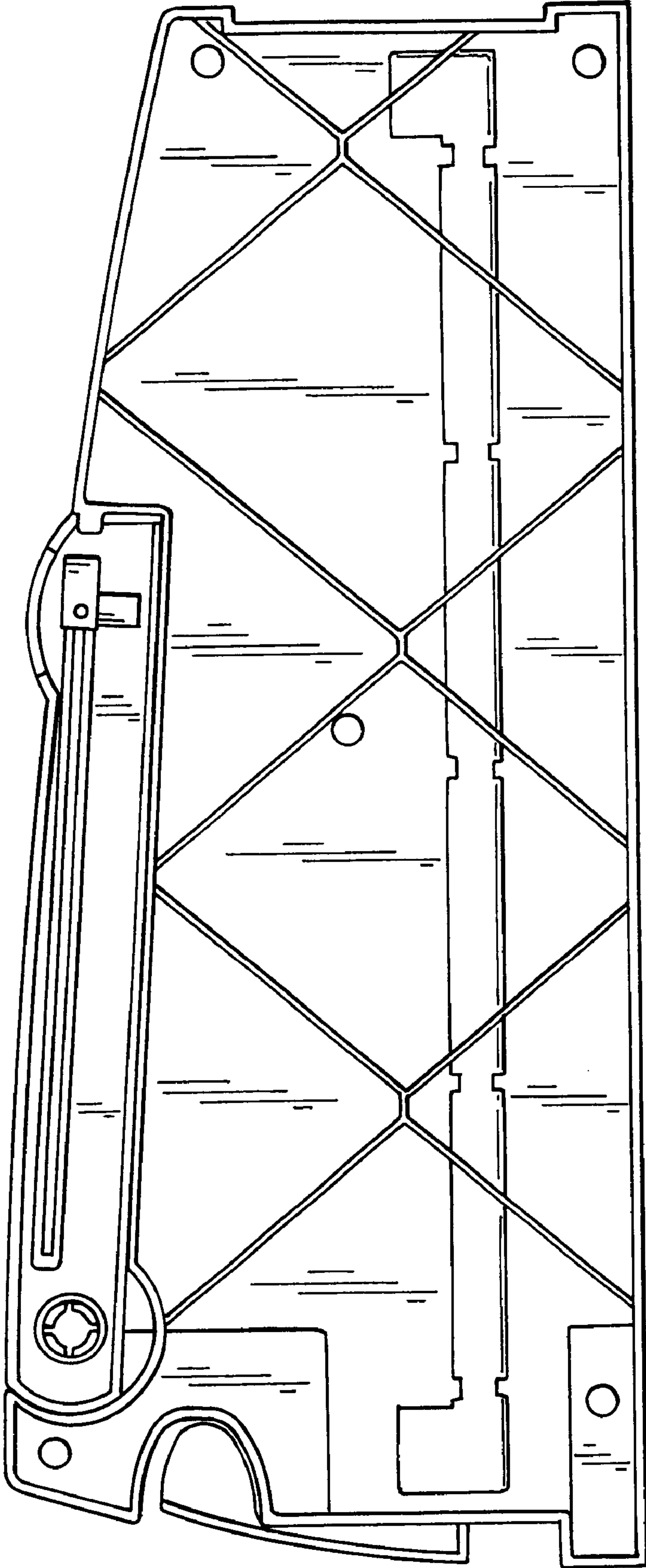


FIG. 3

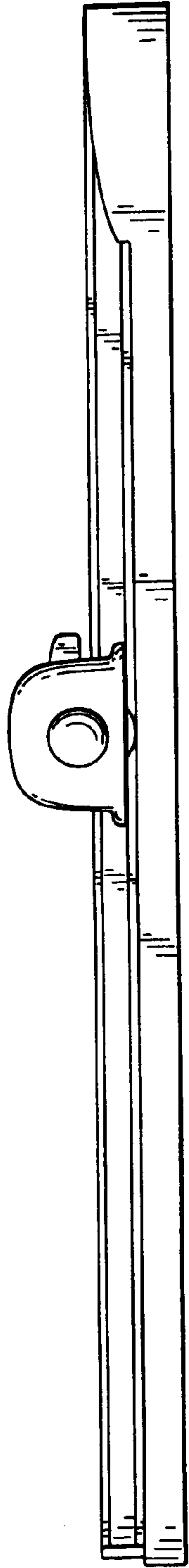


FIG. 4

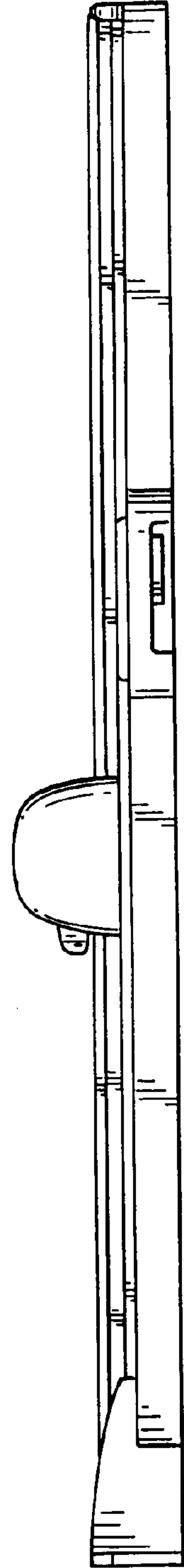


FIG. 5

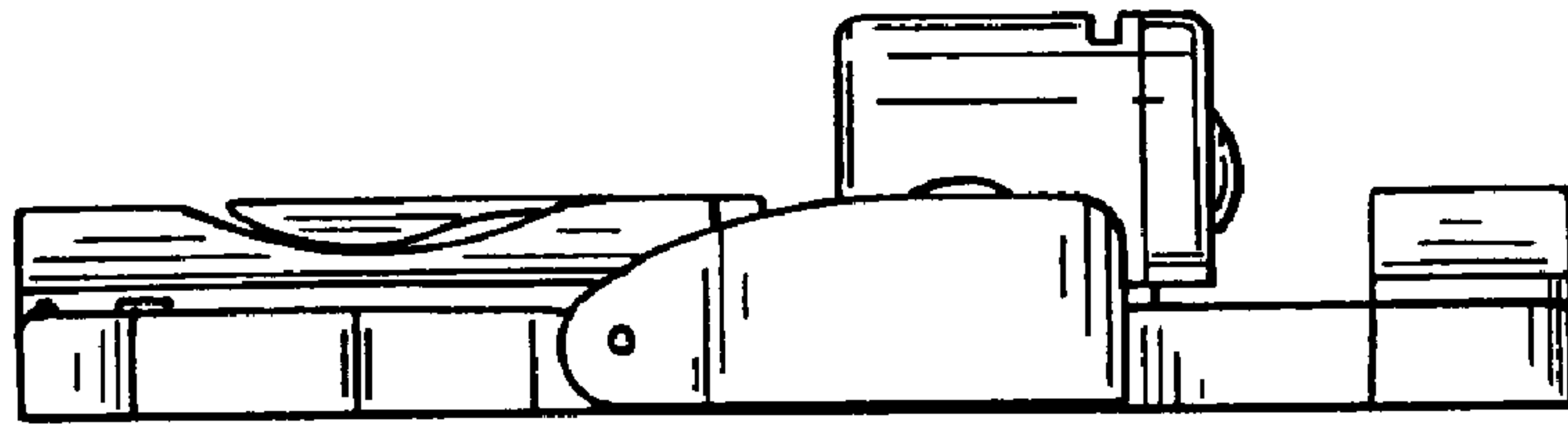


FIG. 6

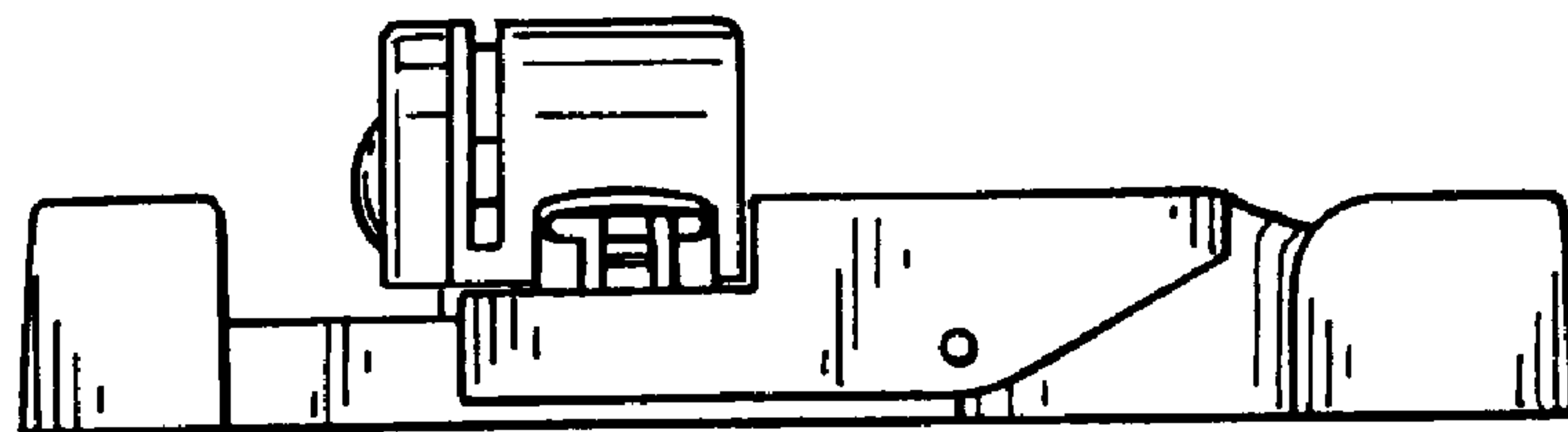


FIG. 7