



US00D528580S

(12) **United States Design Patent**  
**Sumita**

(10) **Patent No.:** **US D528,580 S**

(45) **Date of Patent:** **\*\* Sep. 19, 2006**

(54) **CAMERA**

(75) Inventor: **Kaoru Sumita**, Tokyo (JP)

(73) Assignee: **Sony Corporation**, Tokyo (JP)

(\*\*) Term: **14 Years**

(21) Appl. No.: **29/226,665**

(22) Filed: **Apr. 1, 2005**

(51) **LOC (8) Cl.** ..... **16-01**

(52) **U.S. Cl.** ..... **D16/206; D16/202**

(58) **Field of Classification Search** ..... **D16/200-206, D16/208, 218; 348/373-376; 358/906; 396/535-541**  
See application file for complete search history.

(56) **References Cited**

**U.S. PATENT DOCUMENTS**

D416,271 S	*	11/1999	Ikenaga	.....	D16/202
D441,778 S	*	5/2001	Funakoshi	.....	D16/202
D444,163 S	*	6/2001	Yoshida	.....	D16/202
D456,035 S	*	4/2002	Yamazaki et al.	.....	D16/202
D481,052 S	*	10/2003	Ogura	.....	D16/202
D493,809 S	*	8/2004	Ogura	.....	D16/202
D497,173 S	*	10/2004	Ogura	.....	D16/202
6,809,773 B1	*	10/2004	Watarai et al.	.....	348/373
D500,068 S		12/2004	Hayashi		
6,930,726 B1	*	8/2005	Nagai	.....	348/373

**OTHER PUBLICATIONS**

Web page "Sony Drive, DSC-F828," <http://www.sony.jp/products/Consumer/DSC/DSC-F828/style.html>, 4 sheets, Sony Marketing (Japan) Inc. (Feb. 2004).

Web page "DiMAGE Z5K" [www.yodobashi.com](http://www.yodobashi.com), 1 sheet, Yodobashi Camera (Feb. 2005).

Web page "COOLPIX 8800" [www.yodobashi.com](http://www.yodobashi.com), 1 sheet, Yodobashi Camera (Feb. 2005).

\* cited by examiner

*Primary Examiner*—Adir Aronovich

(74) *Attorney, Agent, or Firm*—Rader, Fishman & Grauer PLLC

(57) **CLAIM**

The ornamental design for a camera, as shown.

**DESCRIPTION**

FIG. 1 is a perspective view of a camera showing my new design;

FIG. 2 is a front elevational view thereof;

FIG. 3 is a bottom plan view thereof,

FIG. 4 is a left side elevational view thereof;

FIG. 5 is a right side elevational view thereof;

FIG. 6 is a top plan view thereof; and,

FIG. 7 is a rear elevational view thereof.

**1 Claim, 4 Drawing Sheets**

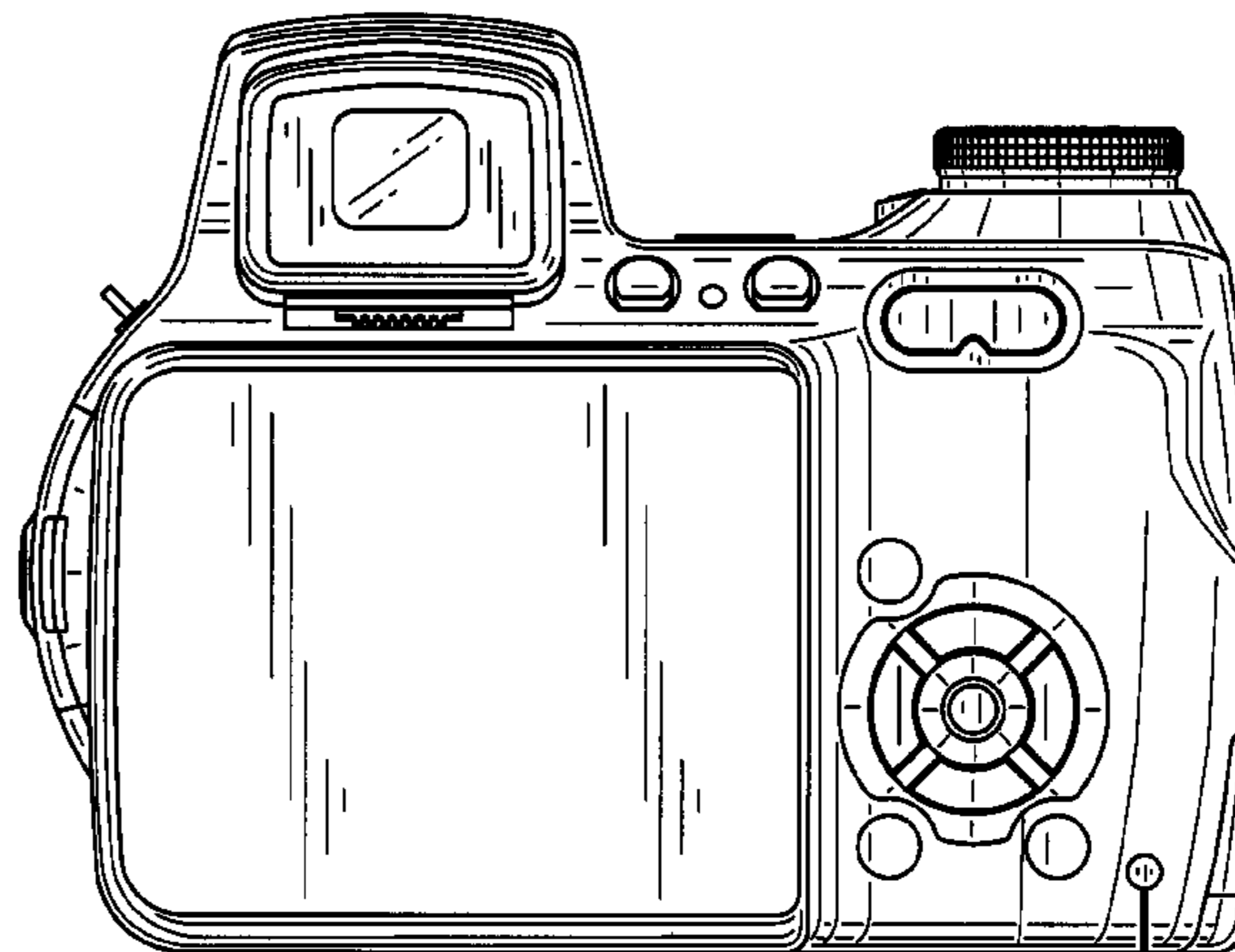
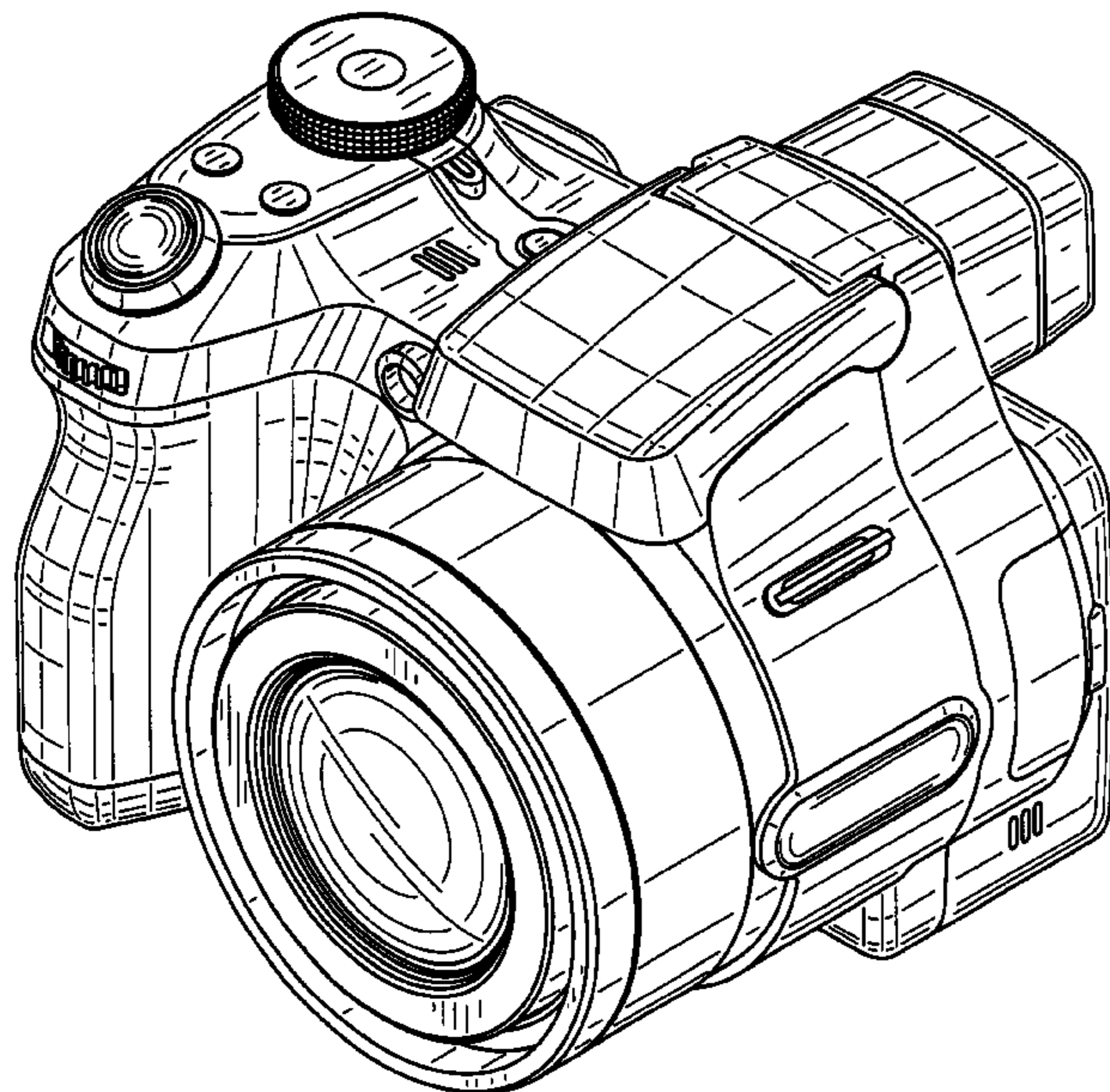


Fig.1

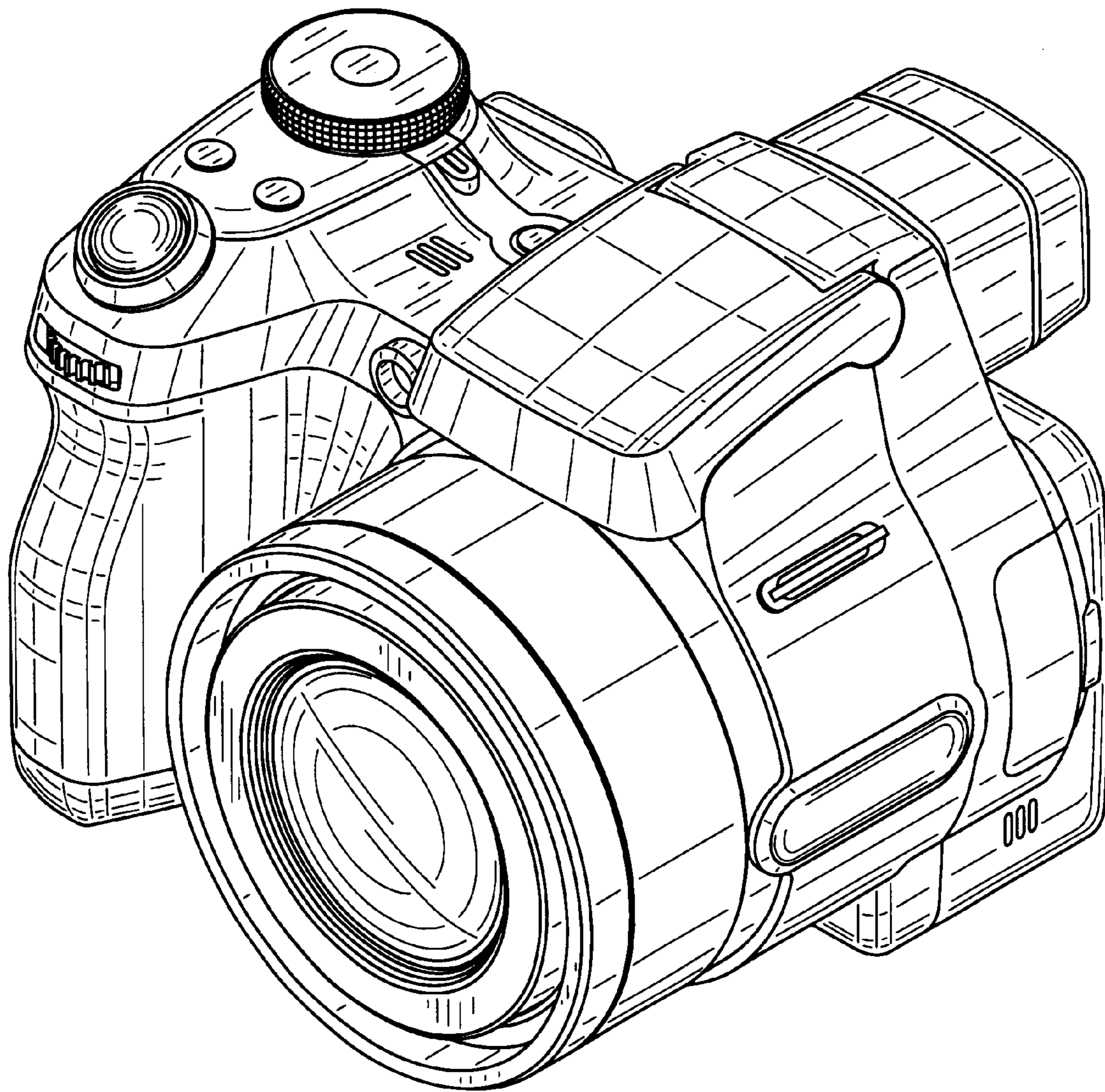




Fig.2

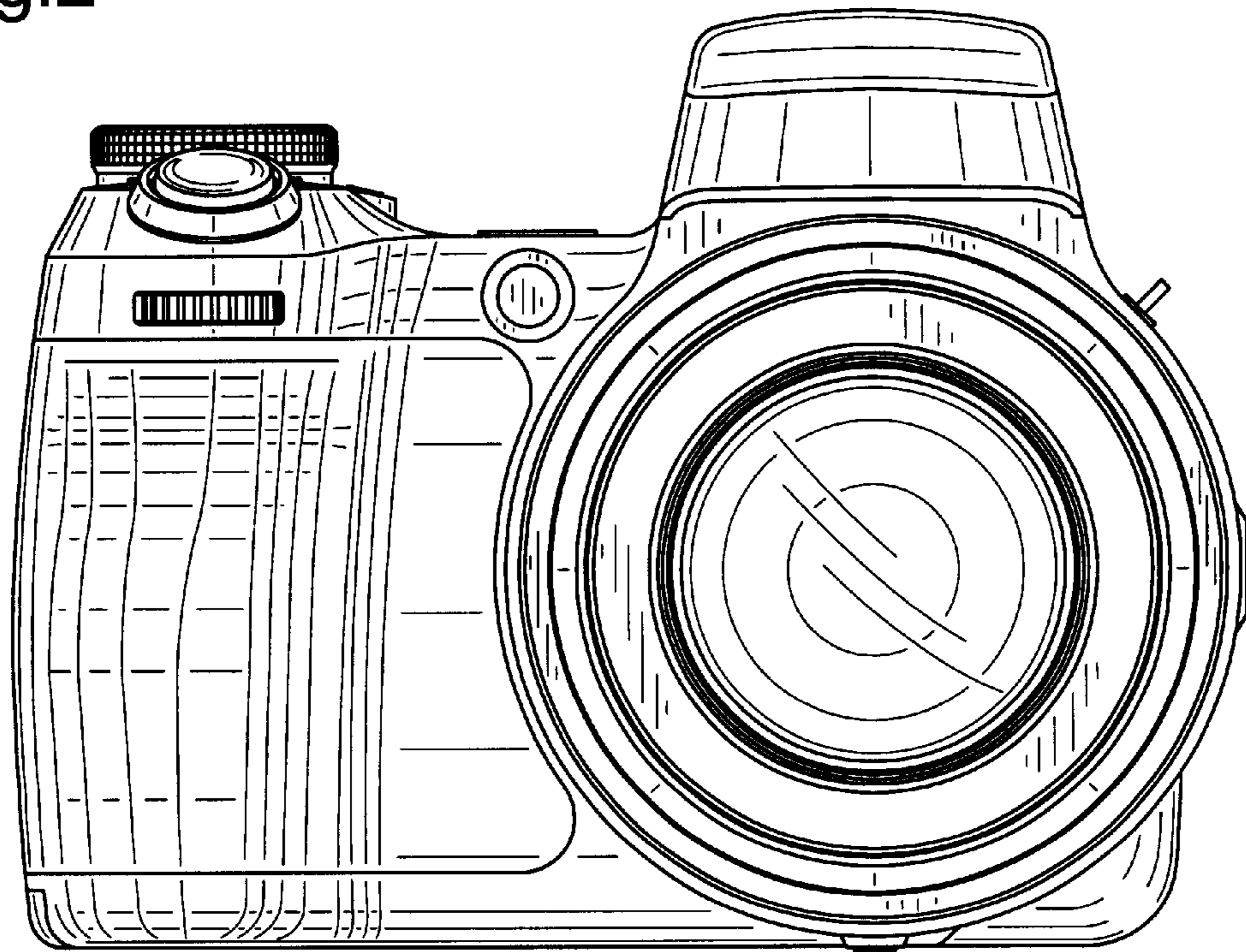


Fig.3

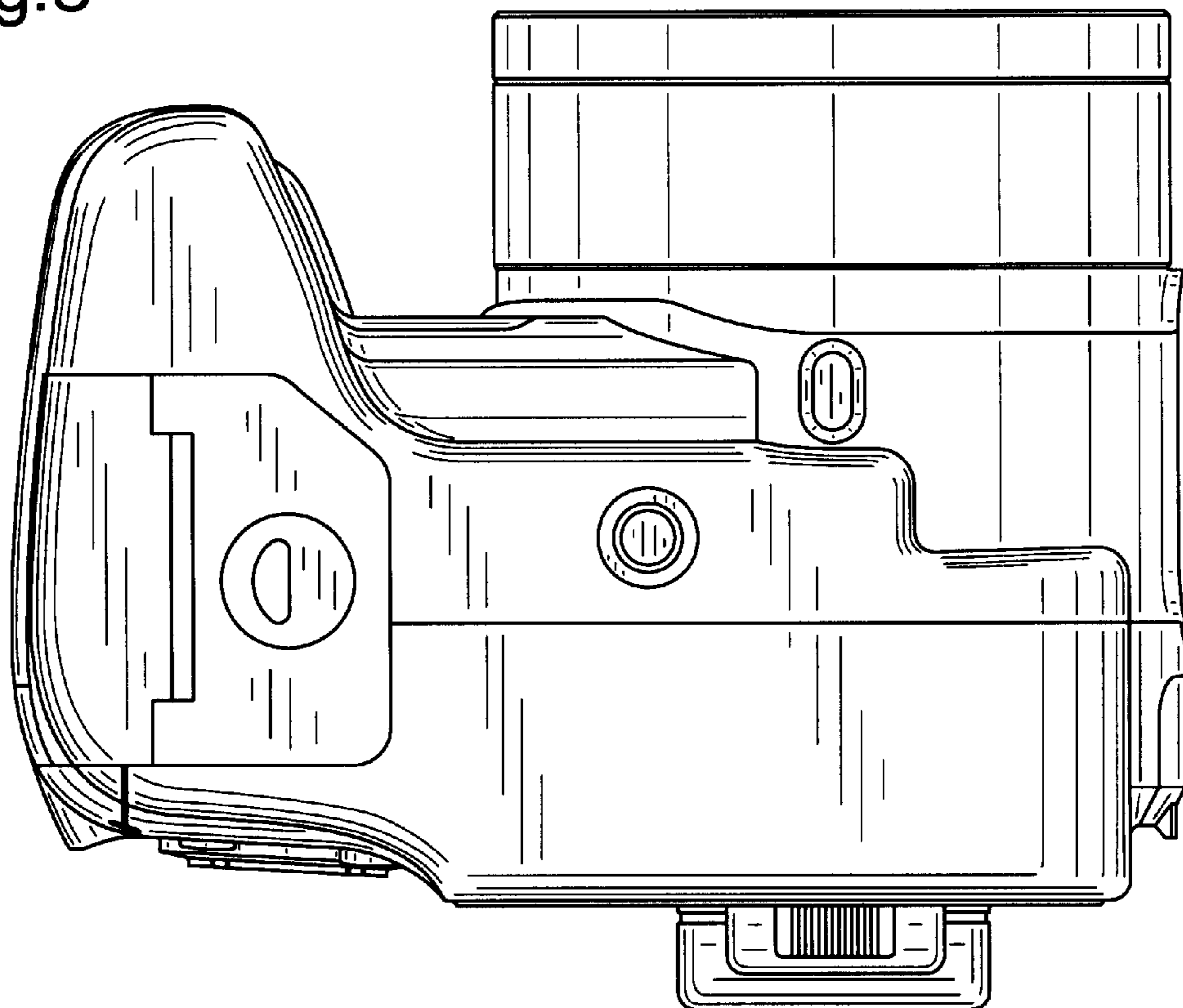


Fig.4

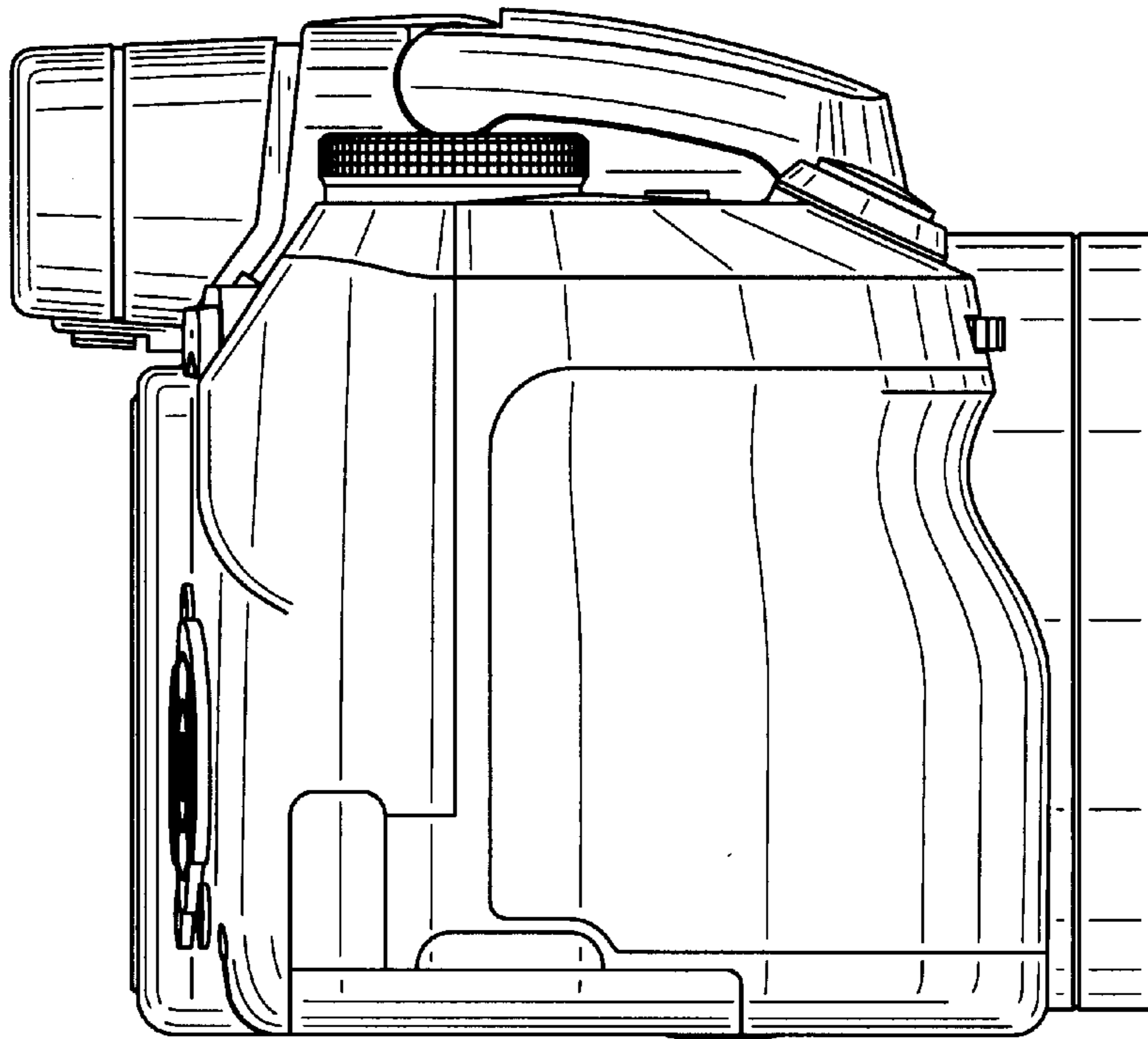


Fig.5

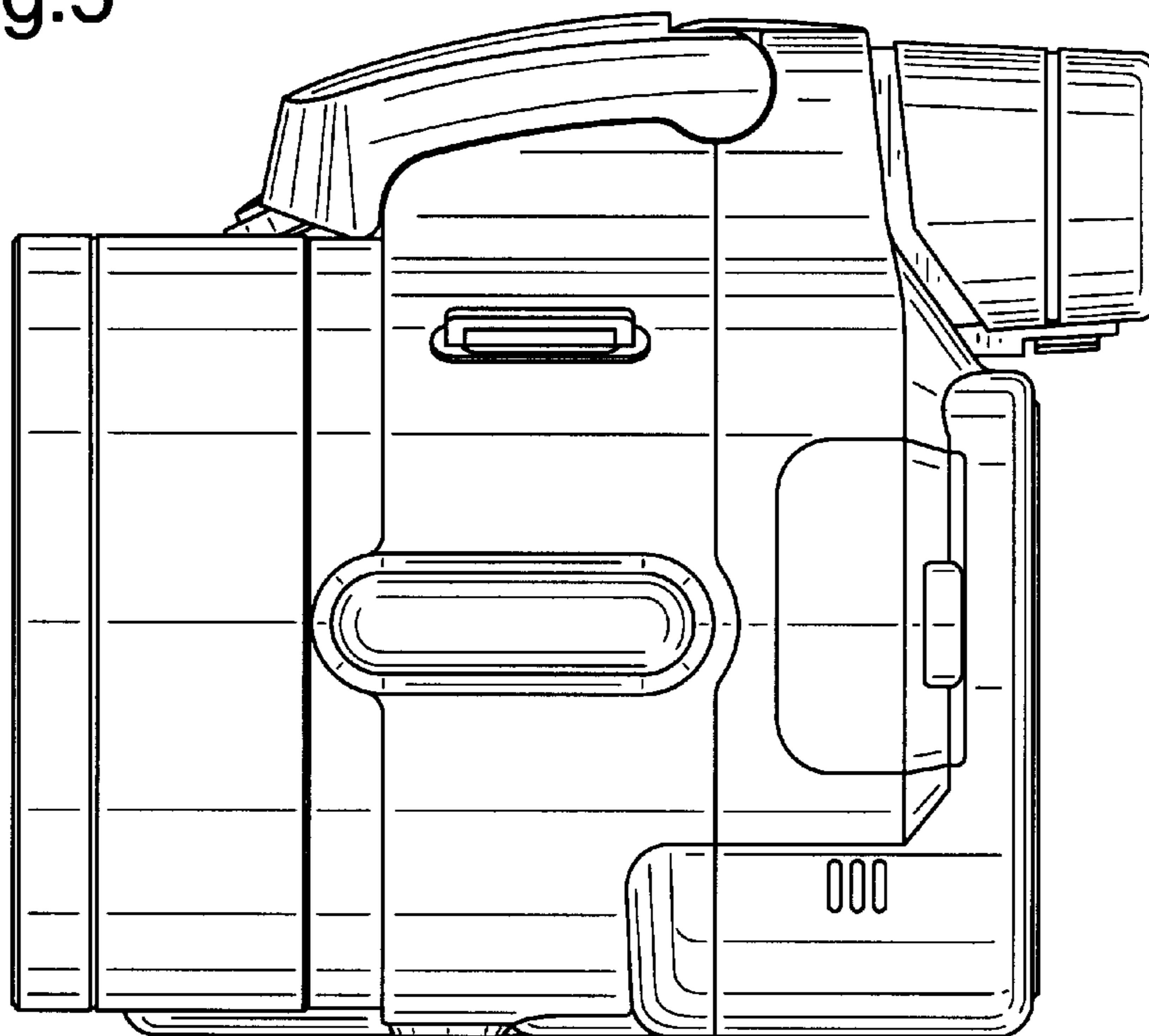


Fig.6

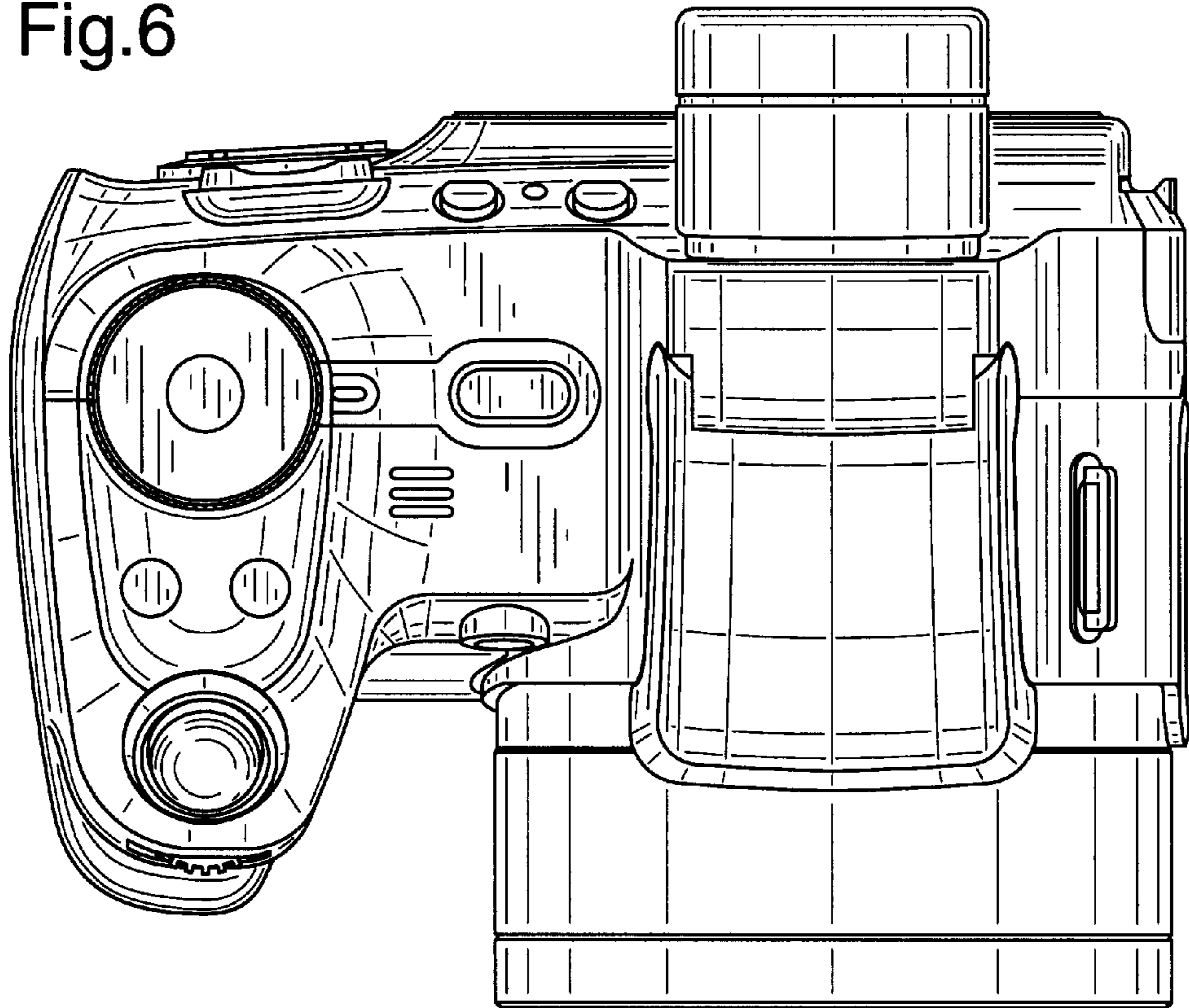


Fig.7

