

US00D528579S

(12) **United States Design Patent**
Yasutomi

(10) **Patent No.:** **US D528,579 S**

(45) **Date of Patent:** **** Sep. 19, 2006**

(54) **CAMERA**

D503,417 S * 3/2005 Kawase D16/202

(75) Inventor: **Hiroshi Yasutomi**, Tokyo (JP)

(73) Assignee: **Sony Corporation**, Tokyo (JP)

(**) Term: **14 Years**

(21) Appl. No.: **29/226,754**

(22) Filed: **Apr. 1, 2005**

(51) **LOC (8) Cl.** **16-01**

(52) **U.S. Cl.** **D16/202**; D16/218

(58) **Field of Classification Search** D16/200–205,
D16/208, 218; 348/373–376; 358/909.1;
396/535–541

See application file for complete search history.

(56) **References Cited**

U.S. PATENT DOCUMENTS

5,555,052	A	*	9/1996	Pearson	396/538
D450,073	S		11/2001	Sumita		
D451,115	S		11/2001	Sumita		
D475,384	S	*	6/2003	Tanaka	D16/202
D481,405	S	*	10/2003	Sakaguchi	D16/202
D482,054	S	*	11/2003	Nasu	D16/202
D494,612	S	*	8/2004	Yang et al.	D16/202
D495,727	S	*	9/2004	Dow et al.	D16/202

OTHER PUBLICATIONS

Web page “COOLPIX 4200” www.yodobashi.com, 1 sheet,
Yodobashi Camera (Feb. 2005).

Web page “PowerShot A95” www.yodobashi.com, 1 sheet,
Yodobashi Camera (Feb. 2005).

* cited by examiner

Primary Examiner—Adir Aronovich

(74) *Attorney, Agent, or Firm*—Rader, Fishman & Grauer
PLLC

(57) **CLAIM**

The ornamental design for a camera, as shown.

DESCRIPTION

FIG. 1 is a perspective view of a camera showing my new
design;

FIG. 2 is a front elevational view thereof;

FIG. 3 is a rear elevational view thereof;

FIG. 4 is a left side elevational view thereof;

FIG. 5 is a right side elevational view thereof;

FIG. 6 is a top plan view thereof; and,

FIG. 7 is a bottom plan view thereof.

1 Claim, 4 Drawing Sheets

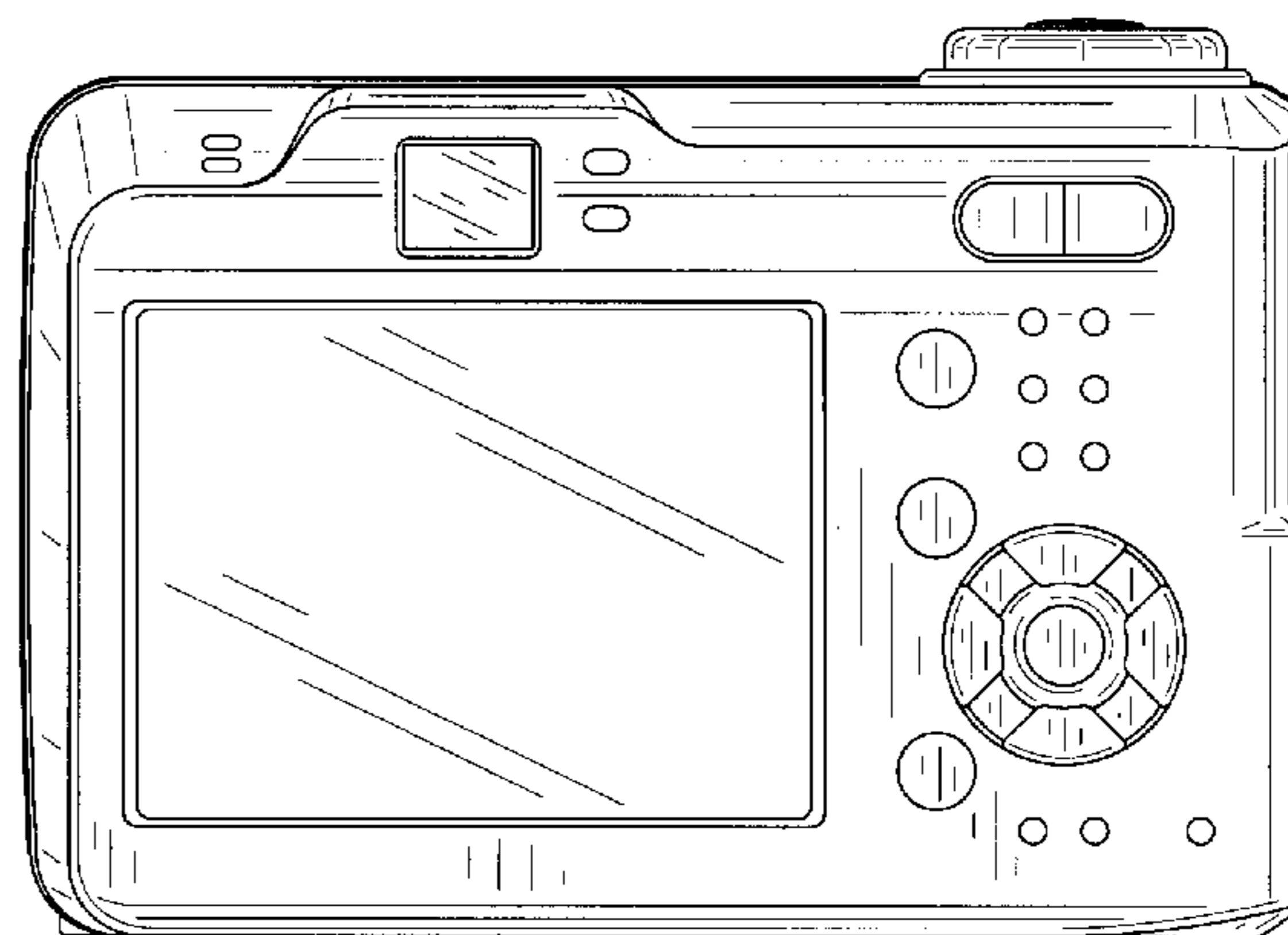
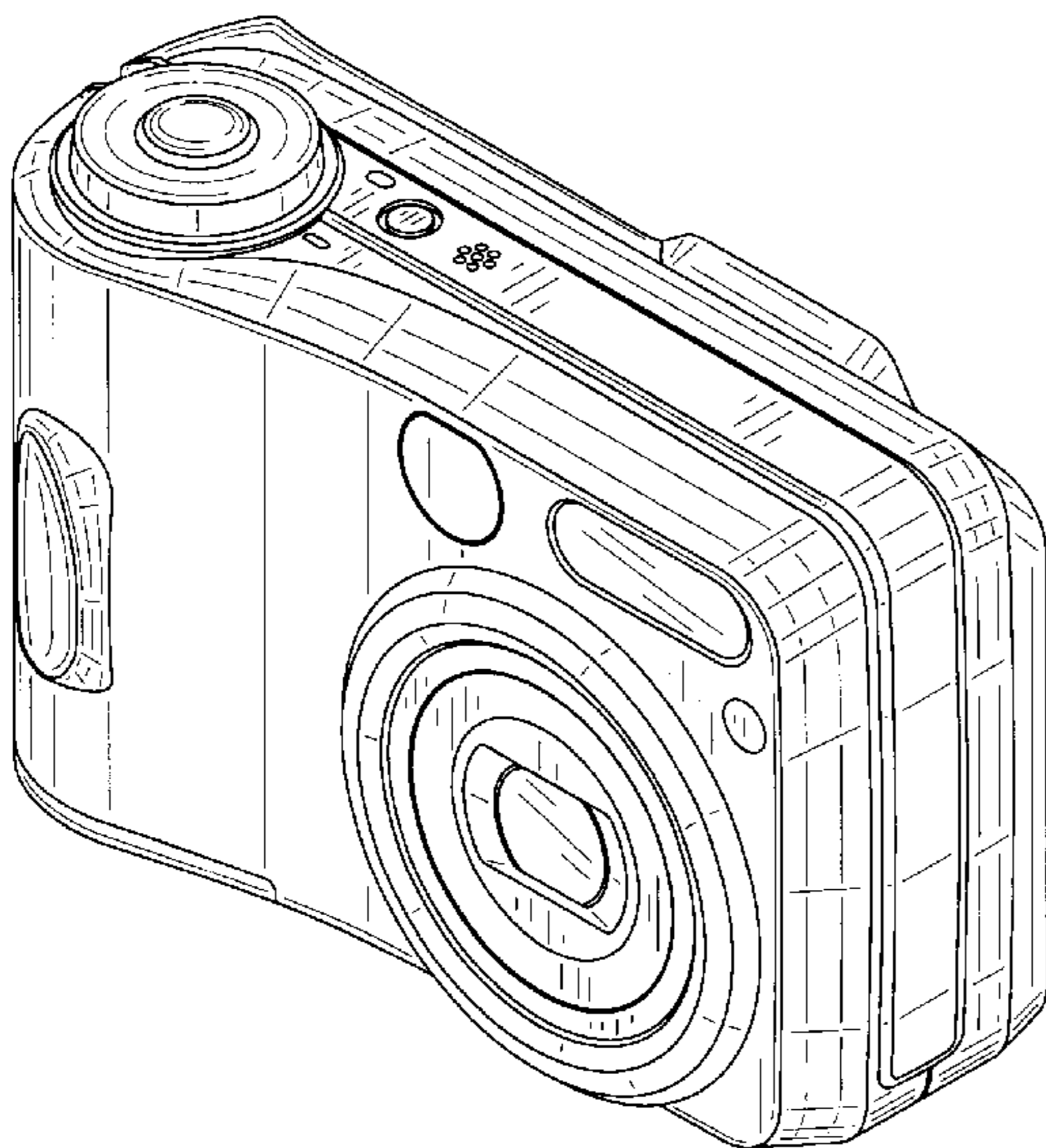


Fig. 1

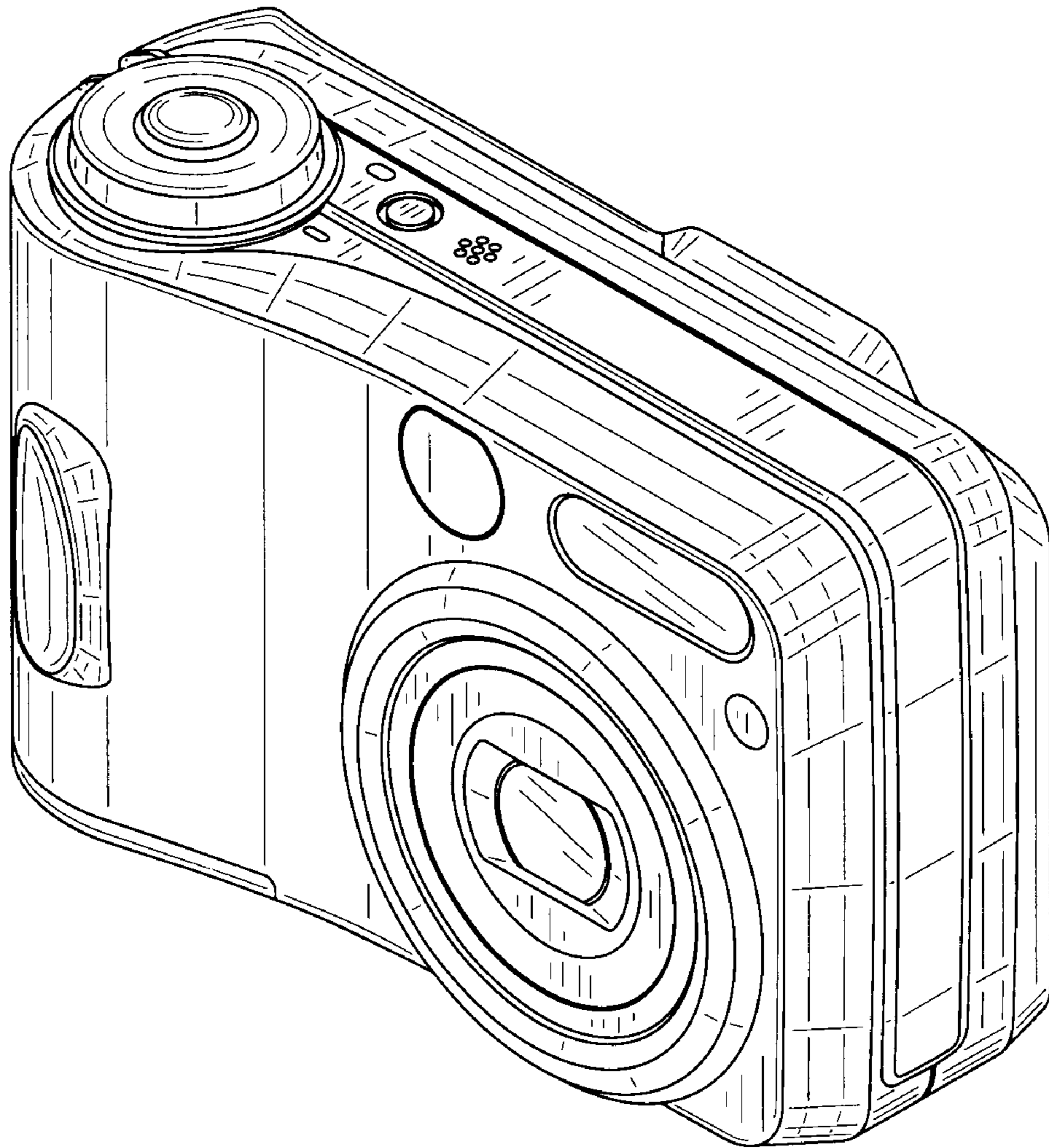


Fig.2

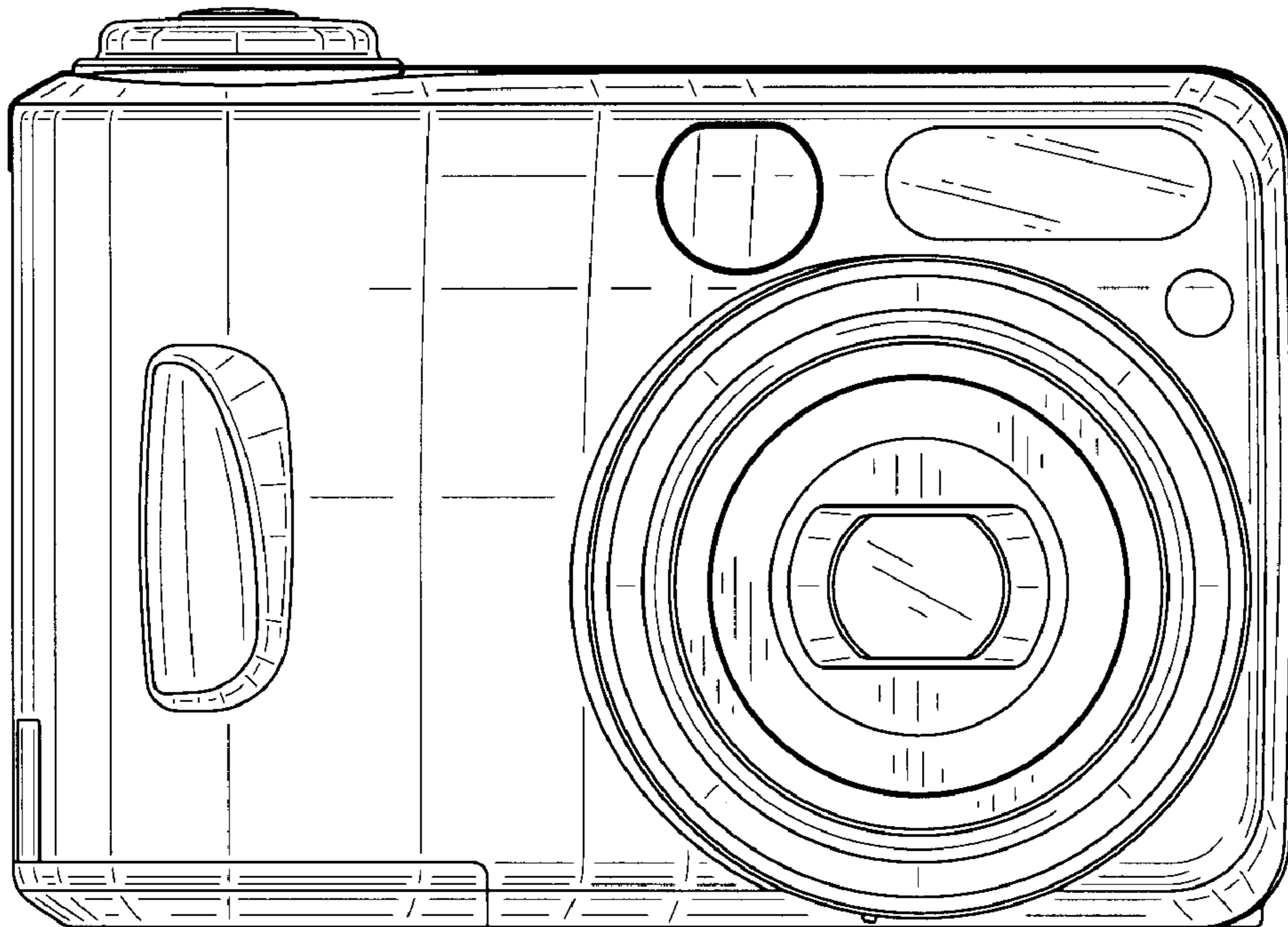


Fig.3

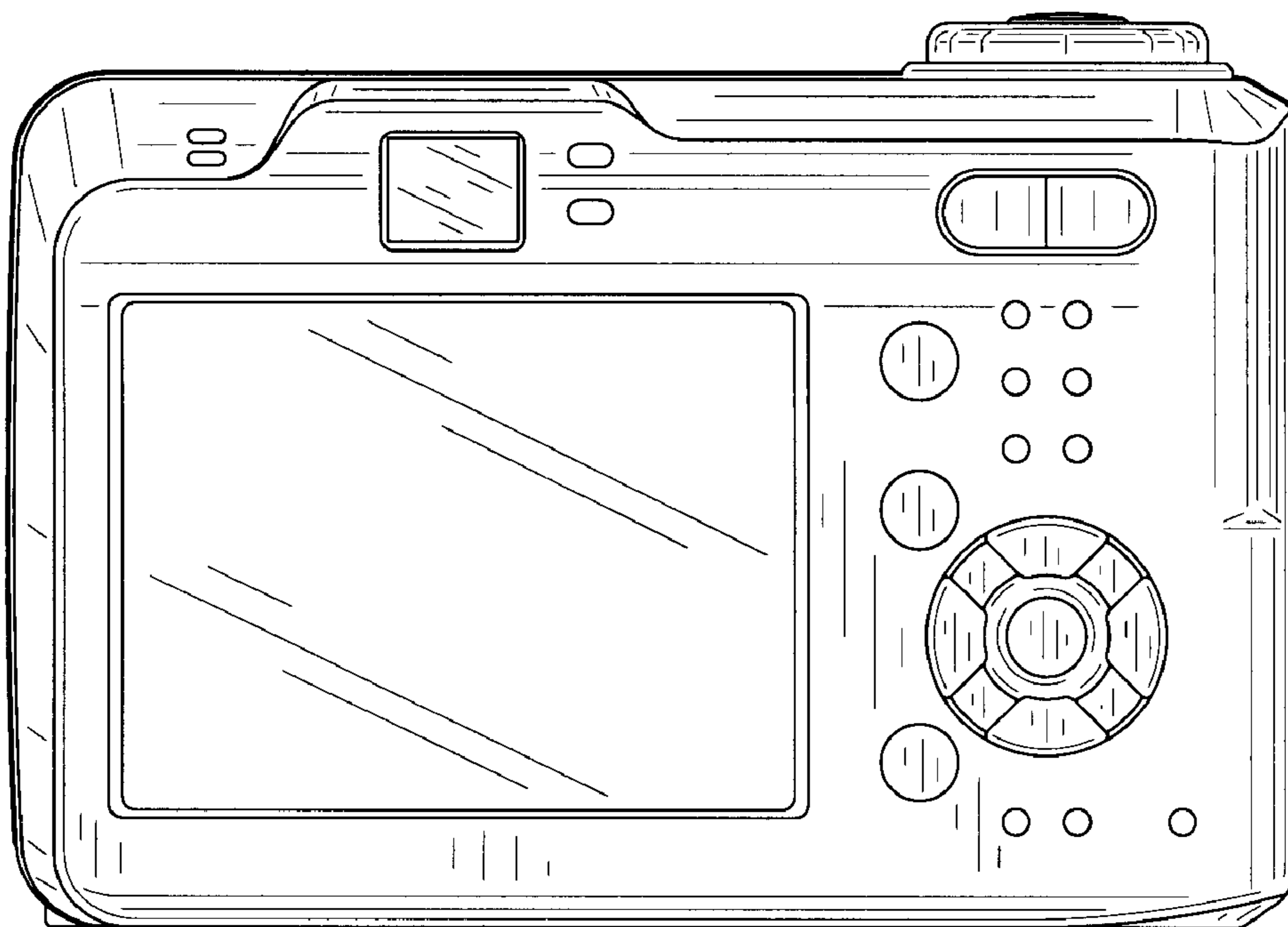


Fig.4

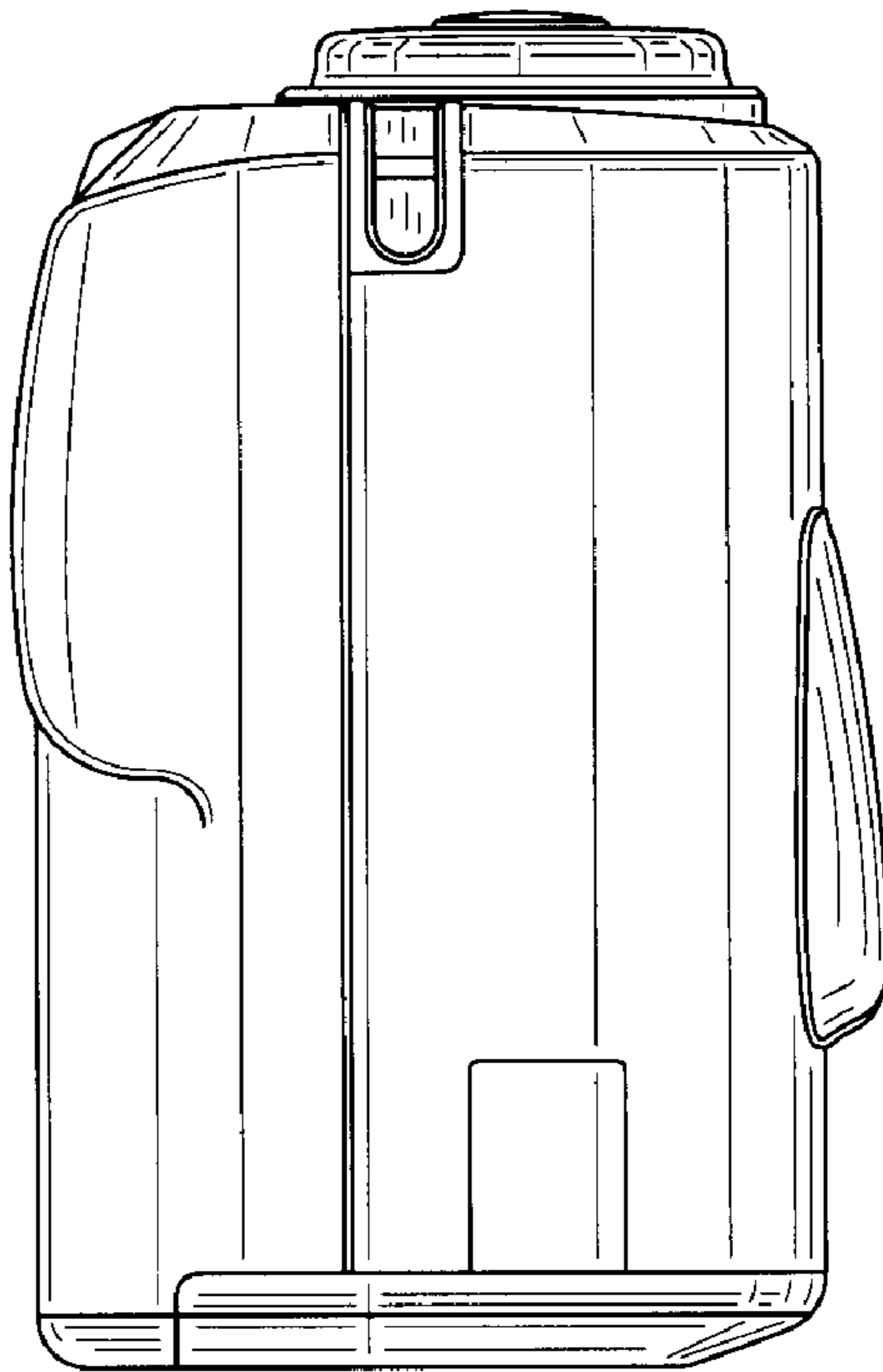


Fig.5

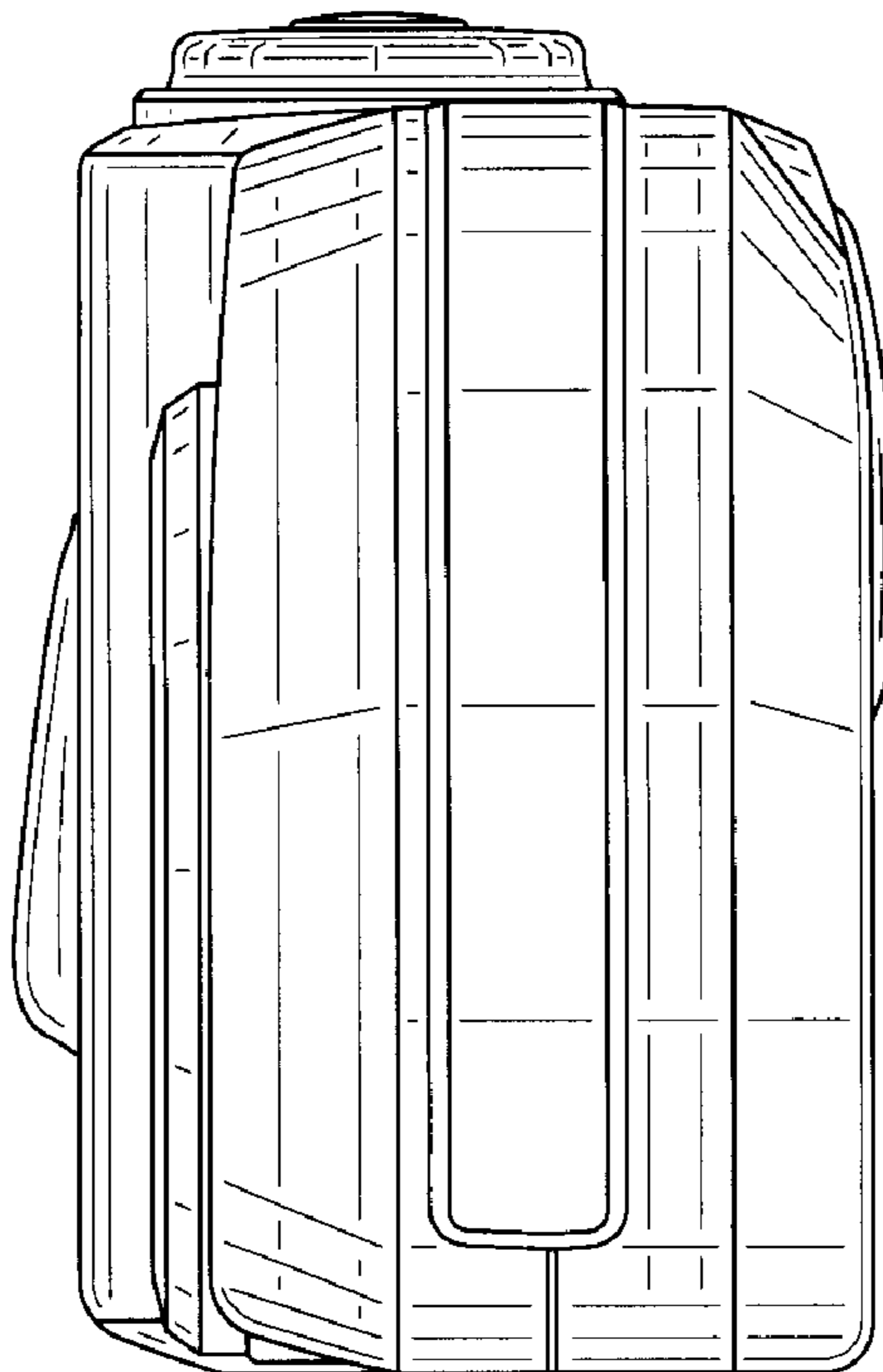


Fig.6

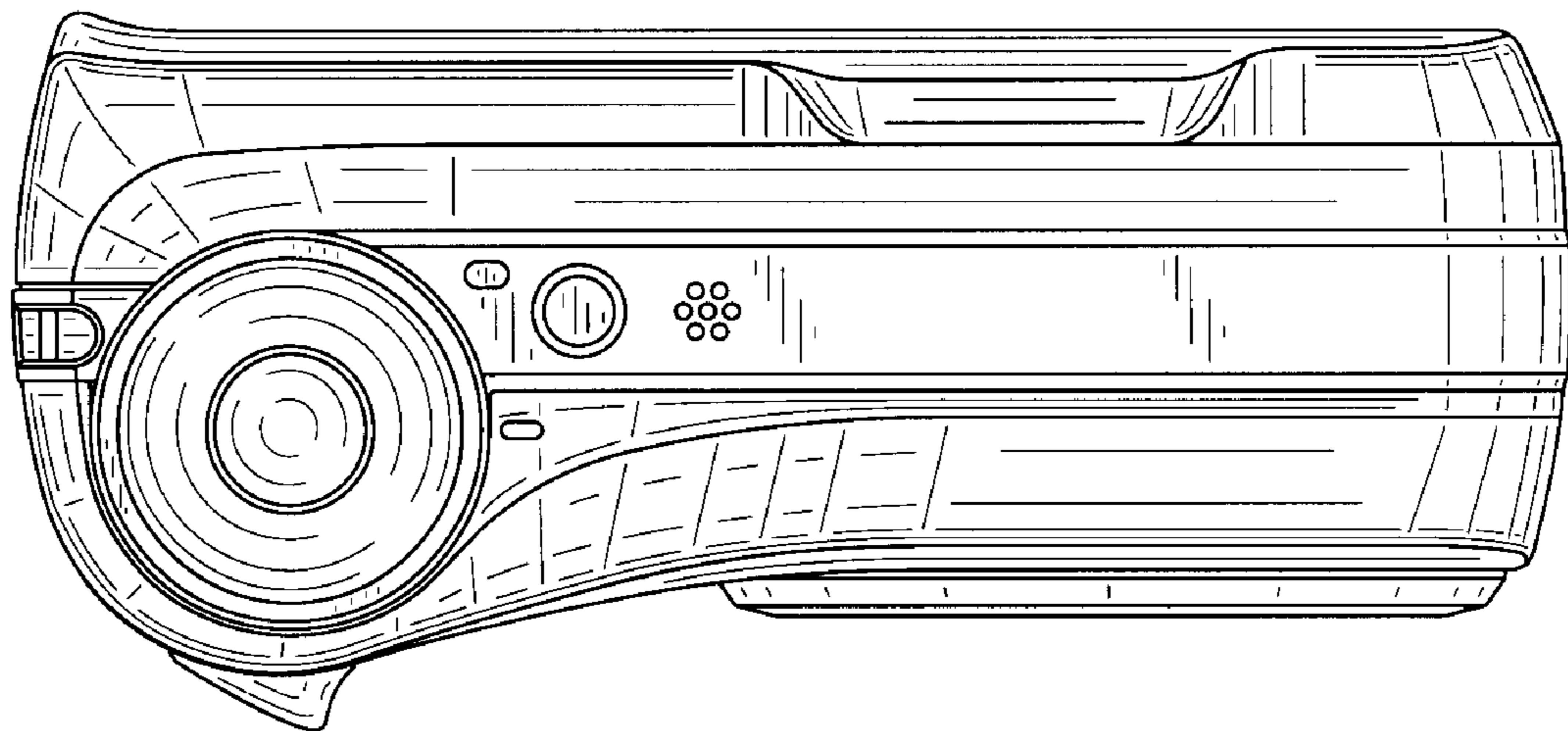


Fig.7

