



US00D528578S

(12) **United States Design Patent**
Yasutomi

(10) **Patent No.:** **US D528,578 S**

(45) **Date of Patent:** **** Sep. 19, 2006**

(54) **CAMERA**

(75) Inventor: **Hiroshi Yasutomi**, Tokyo (JP)

(73) Assignee: **Sony Corporation**, Tokyo (JP)

(**) Term: **14 Years**

(21) Appl. No.: **29/226,666**

(22) Filed: **Apr. 1, 2005**

(51) **LOC (8) Cl.** **16-01**

(52) **U.S. Cl.** **D16/202; D16/218**

(58) **Field of Classification Search** **D16/200–205,**
D16/208, 218; 348/373–376; 358/909.1;
396/535–541

See application file for complete search history.

(56) **References Cited**

U.S. PATENT DOCUMENTS

D450,737 S	*	11/2001	Suzuki	D16/202
D480,742 S	*	10/2003	Chin	D16/202
D495,351 S	*	8/2004	Yi	D16/202
D496,380 S	*	9/2004	Isomoto	D16/202
6,788,894 B1	*	9/2004	Suzuki et al.	348/373
D500,775 S	*	1/2005	Iue	D16/202
D501,496 S		2/2005	Sadatsuki		

OTHER PUBLICATIONS

Web page “SONY Cyber-shot SDC-L1” <http://www.sony.jp/products/Consumer/DSC/DSC-L1/style.html>, 1 sheet, Sony (Feb. 2004).

Web page “IXY DIGITAL 40, IXY DIGITAL 50,” <http://cweb.canon.jp/camera/ixyd/5040/>, 1 sheet, Canon (Feb. 2005).

* cited by examiner

Primary Examiner—Adir Aronovich

(74) *Attorney, Agent, or Firm*—Rader, Fishman & Grauer PLLC

(57) **CLAIM**

The ornamental design for a camera, as shown.

DESCRIPTION

FIG. 1 is a perspective view of a camera showing my new design;

FIG. 2 is a front elevational view thereof;

FIG. 3 is a rear elevational view thereof;

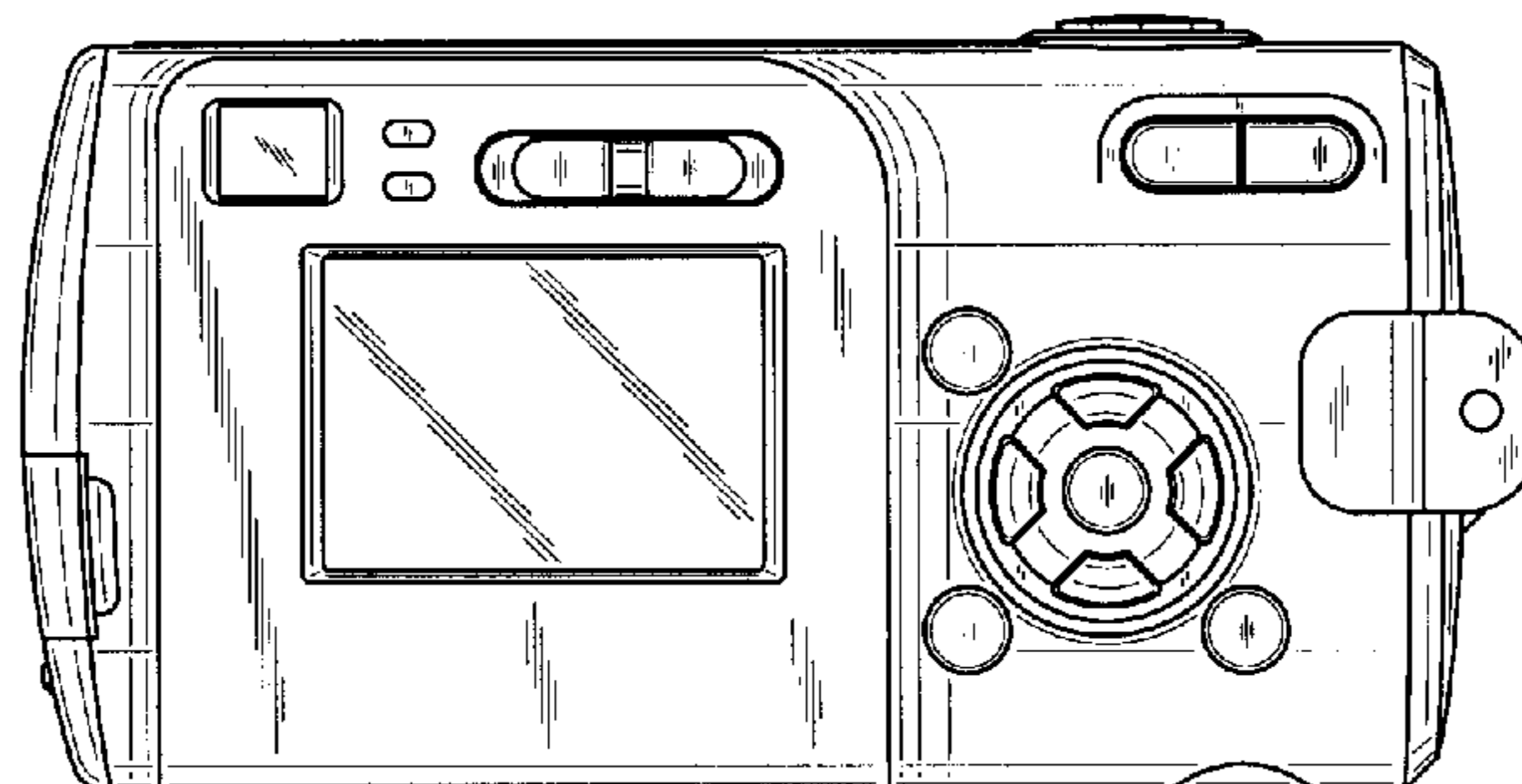
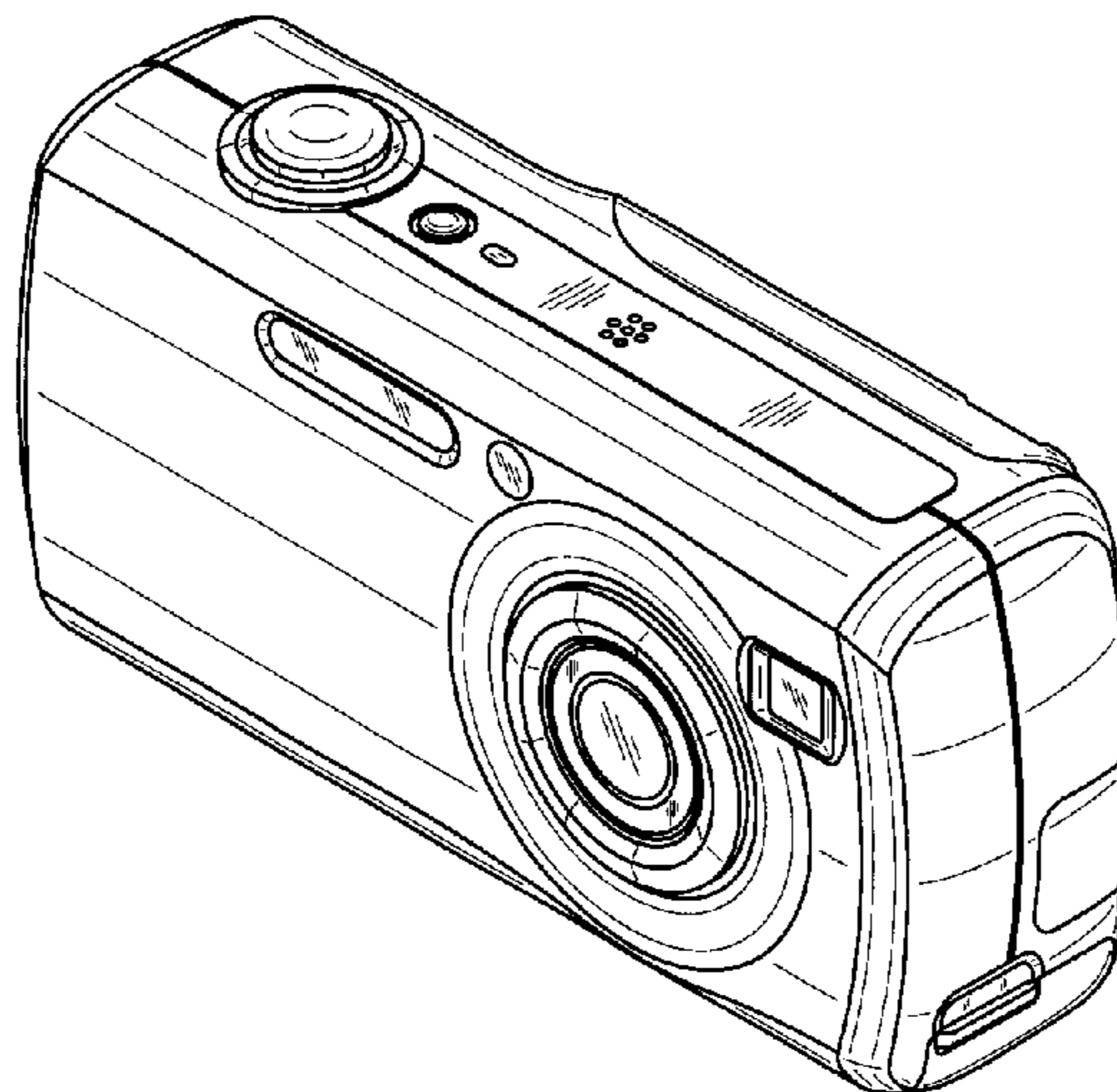
FIG. 4 is a left side elevational view thereof;

FIG. 5 is a right side elevational view thereof;

FIG. 6 is a top plan view thereof; and,

FIG. 7 is a bottom plan view thereof.

1 Claim, 4 Drawing Sheets



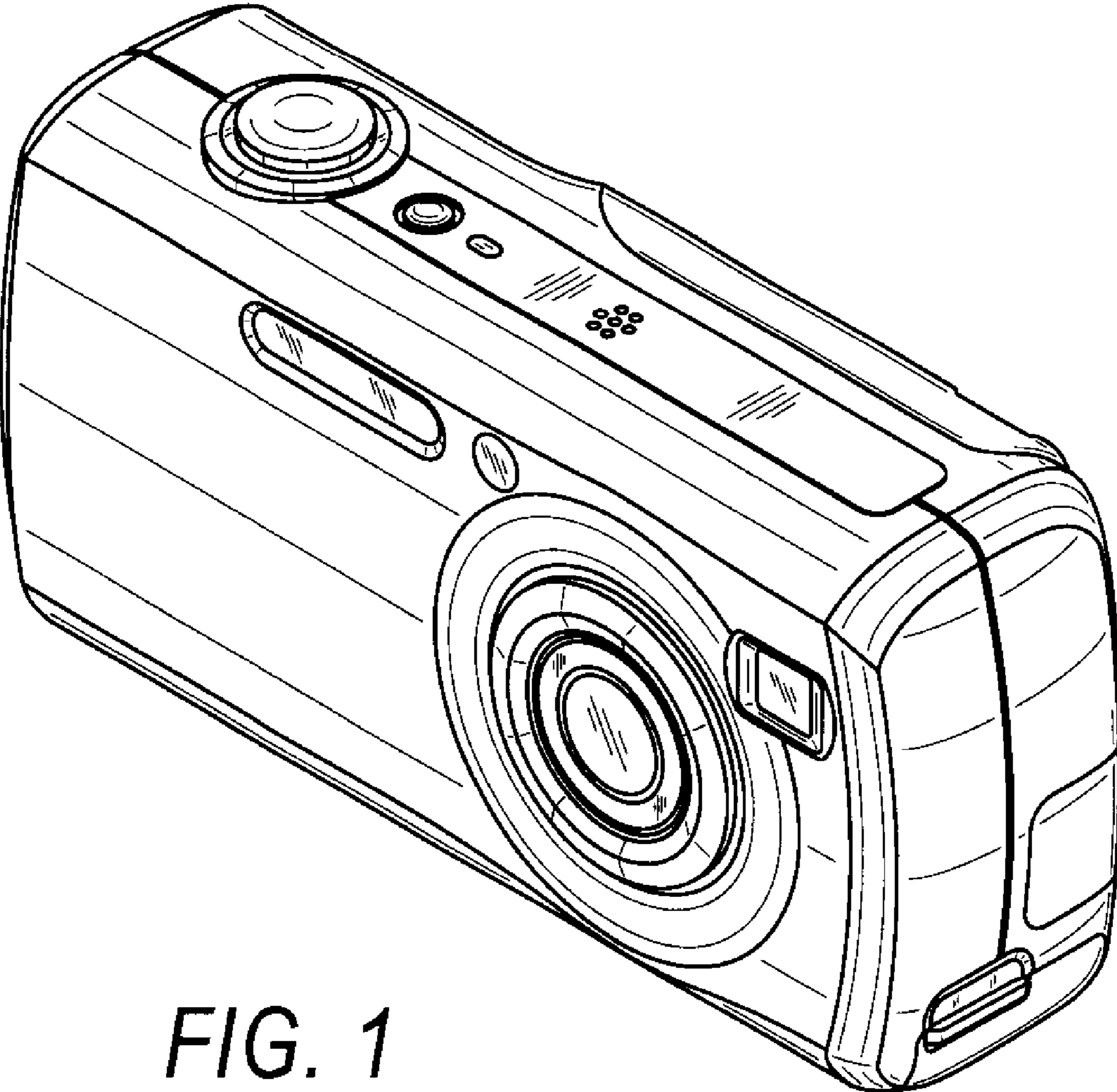


FIG. 1

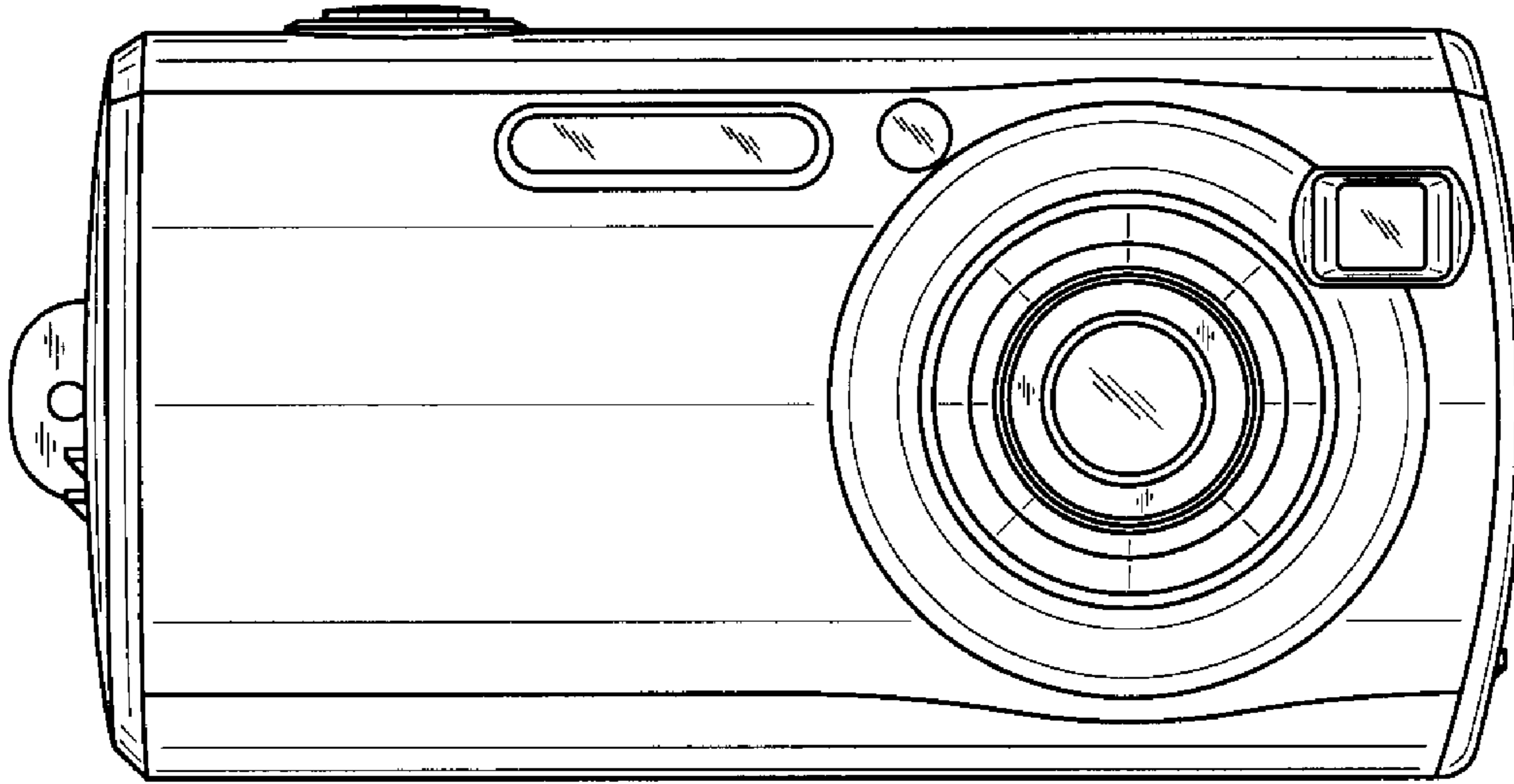


FIG. 2

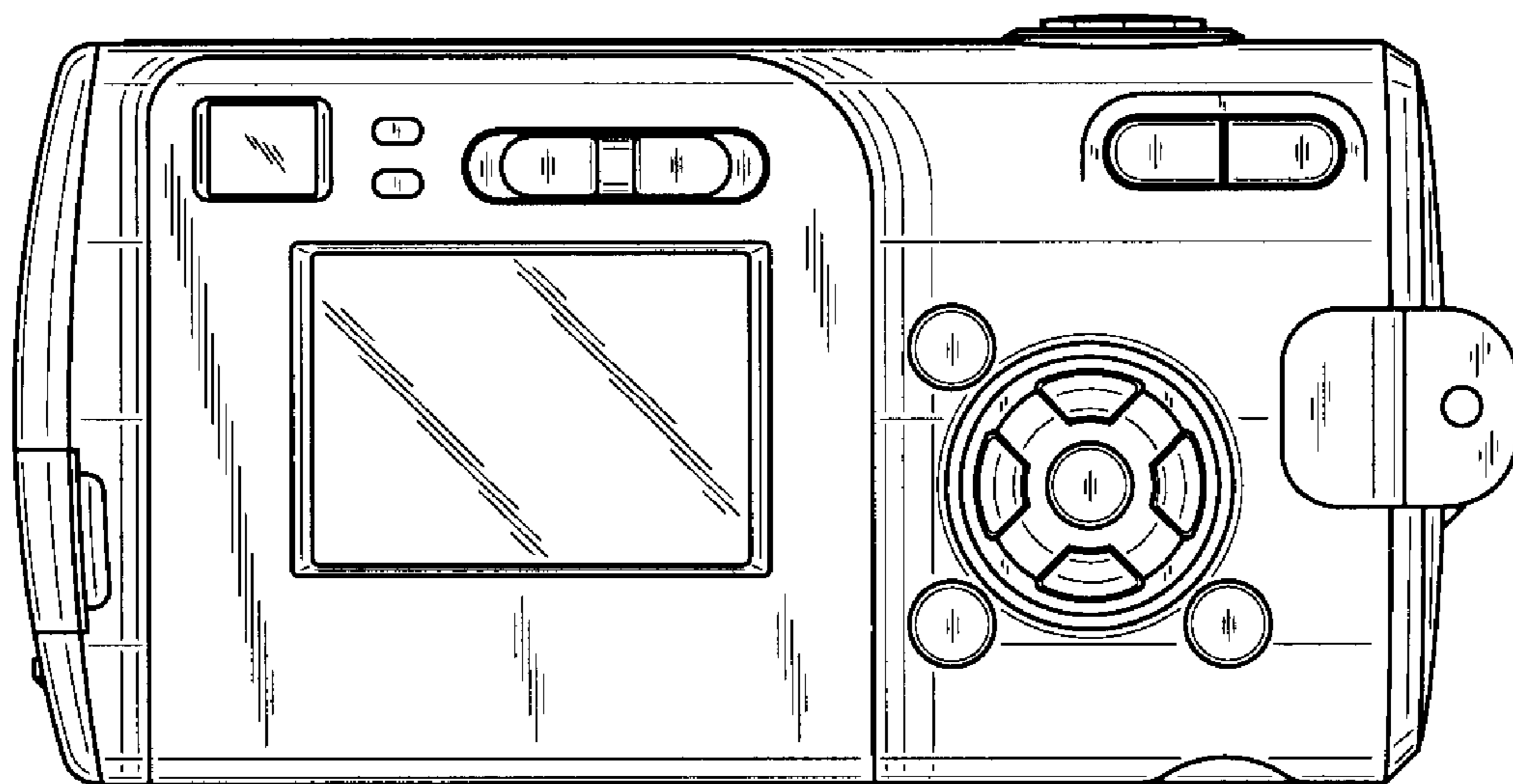


FIG. 3

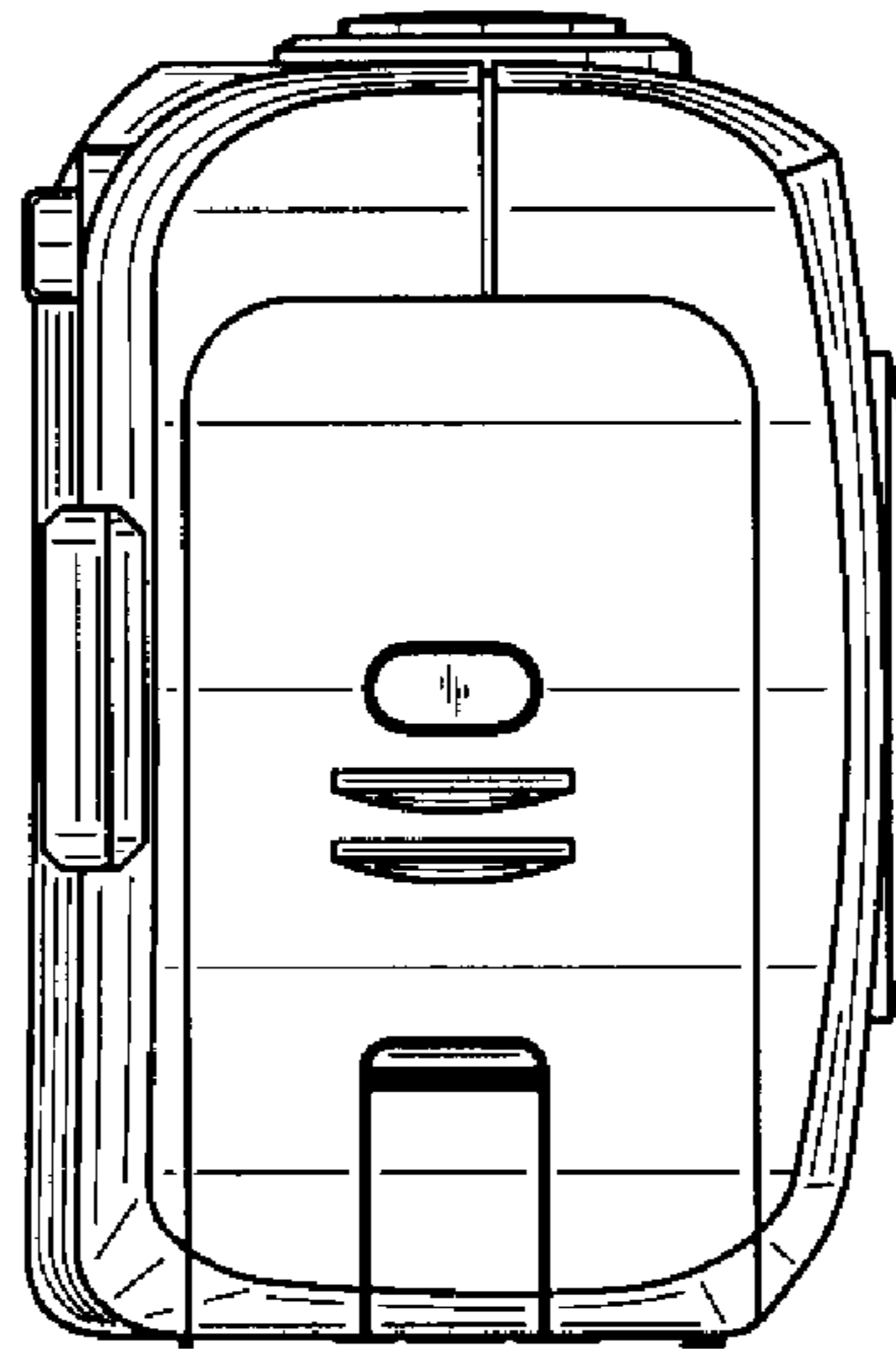


FIG. 4

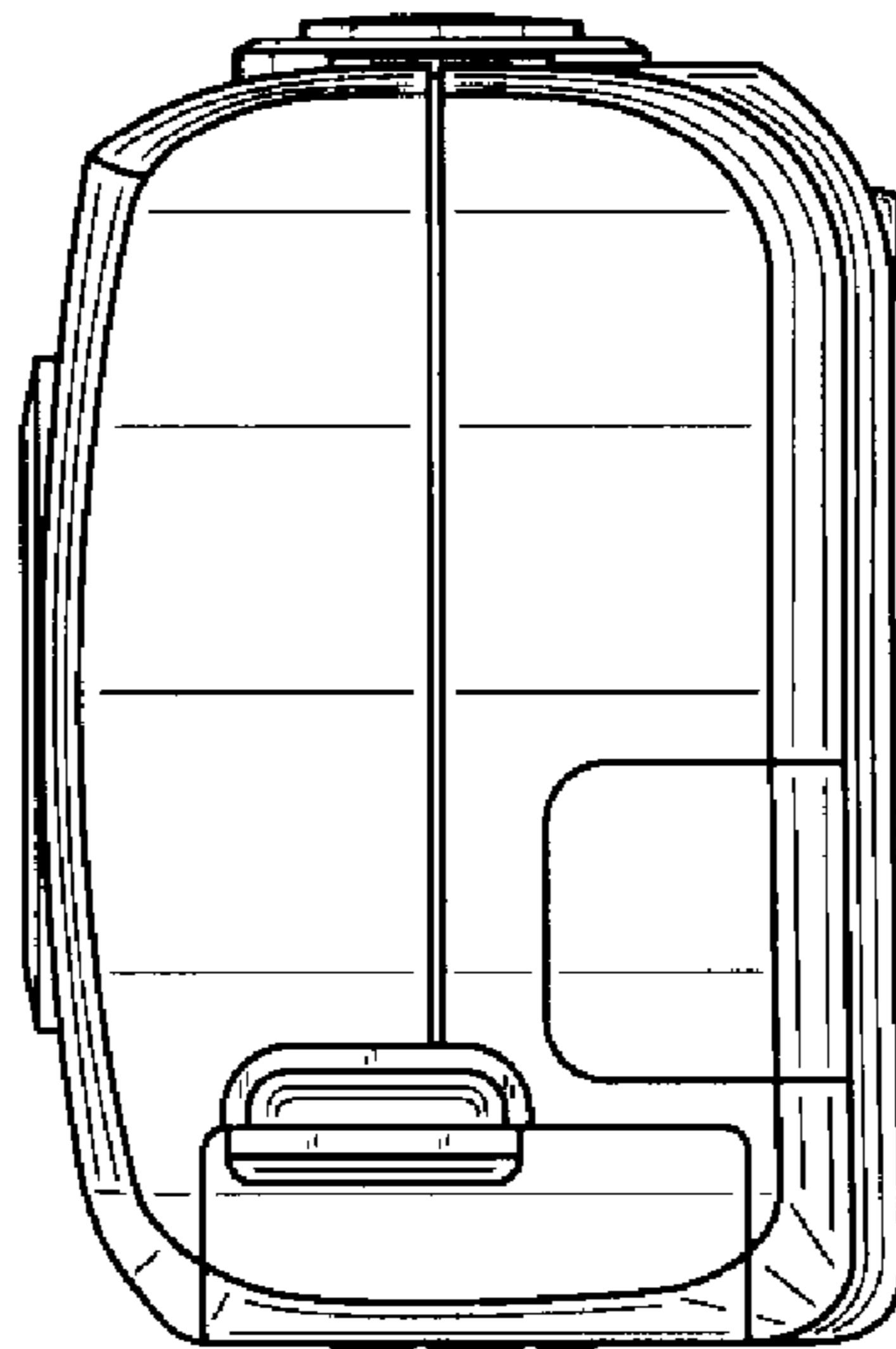


FIG. 5

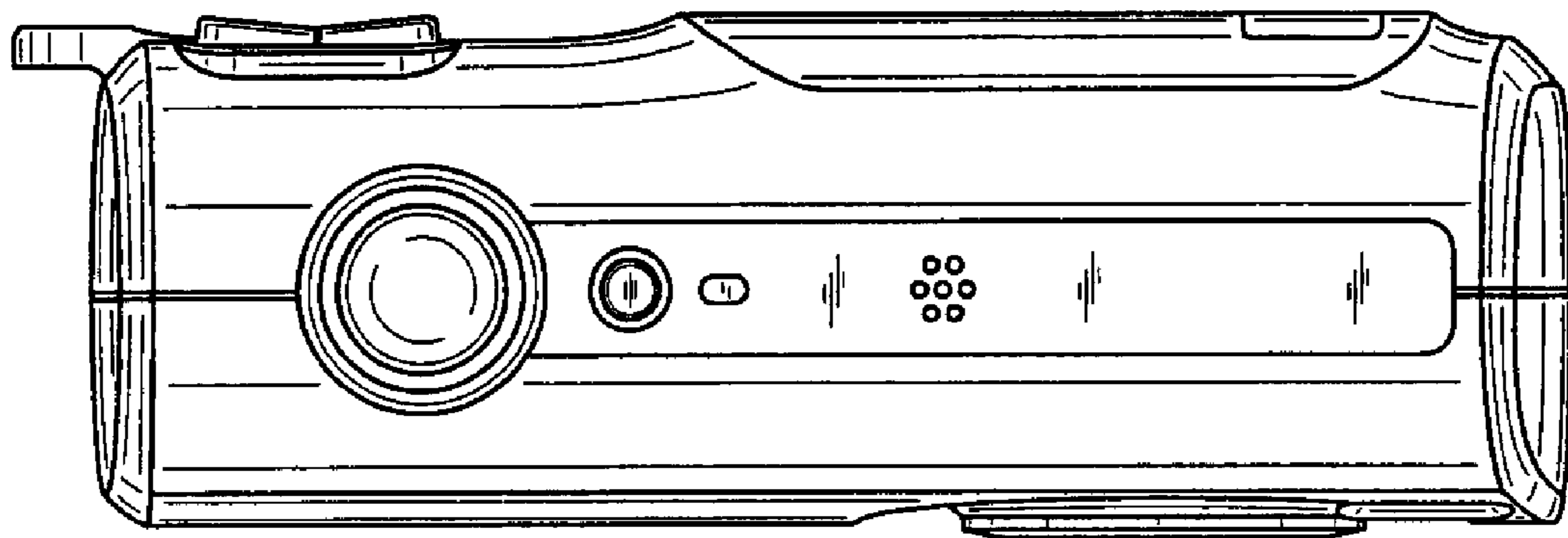


FIG. 6

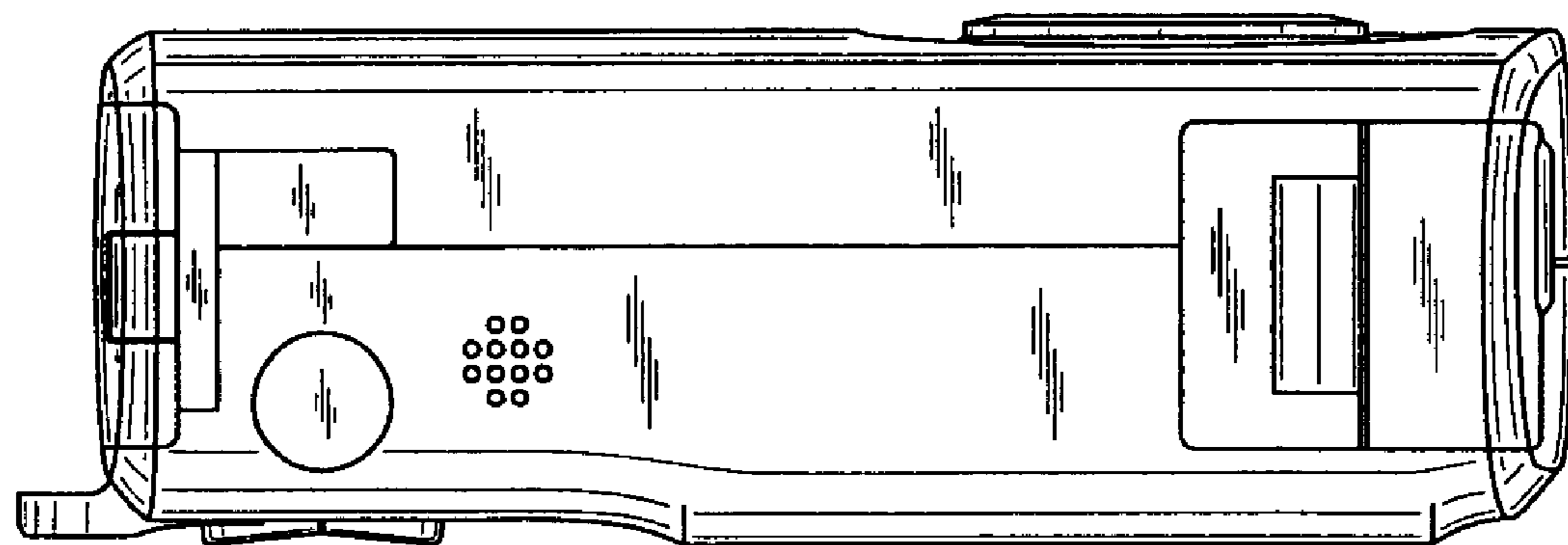


FIG. 7