



US00D528577S

(12) **United States Design Patent**
Byun et al.

(10) **Patent No.:** **US D528,577 S**

(45) **Date of Patent:** **** Sep. 19, 2006**

(54) **DIGITAL CAMCORDER**

(75) Inventors: **Won-Gab Byun**, Seoul (KR);
Nam-Cheol Kim, Seoul (KR)

(73) Assignee: **Samsung Electronics Co., Ltd.**, Suwon (KR)

(**) Term: **14 Years**

(21) Appl. No.: **29/226,439**

(22) Filed: **Mar. 29, 2005**

(51) **LOC (8) Cl.** **16-01**

(52) **U.S. Cl.** **D16/202**

(58) **Field of Classification Search** D16/200–206,
D16/208, 218; 348/373–376; 358/906, 909.1;
396/535–541

See application file for complete search history.

(56) **References Cited**

U.S. PATENT DOCUMENTS

D356,806 S	*	3/1995	Kim	D16/202
D365,354 S	*	12/1995	Sung	D16/202
D366,886 S	*	2/1996	Choi	D16/202
D372,925 S	*	8/1996	Choi	D16/202
D378,296 S	*	3/1997	Choi	D16/202
D383,767 S	*	9/1997	Sung et al.	D16/202
D386,506 S	*	11/1997	Choi et al.	D16/202

D390,243 S	*	2/1998	Choi	D16/202
5,739,859 A	*	4/1998	Hattori et al.	348/375
D394,075 S	*	5/1998	Ninomiya et al.	D16/202
D407,097 S	*	3/1999	Suzuki et al.	D16/202
D426,843 S	*	6/2000	Tanaka	D16/202
D446,800 S	*	8/2001	Fukushima et al.	D16/202
D463,469 S	*	9/2002	Kawase	D16/202
D469,793 S	*	2/2003	Onoda et al.	D16/202
D474,792 S	*	5/2003	Hyun	D16/202

* cited by examiner

Primary Examiner—Adir Aronovich

(74) *Attorney, Agent, or Firm*—Flynn, Thiel, Boutell & Tanis, P.C.

(57) **CLAIM**

The ornamental design for a digital camcorder, as shown and described.

DESCRIPTION

FIG. 1. is a top front perspective view of a digital camcorder showing our new design.

FIG. 2. is a front elevational view thereof.

FIG. 3. is a rear elevational view thereof.

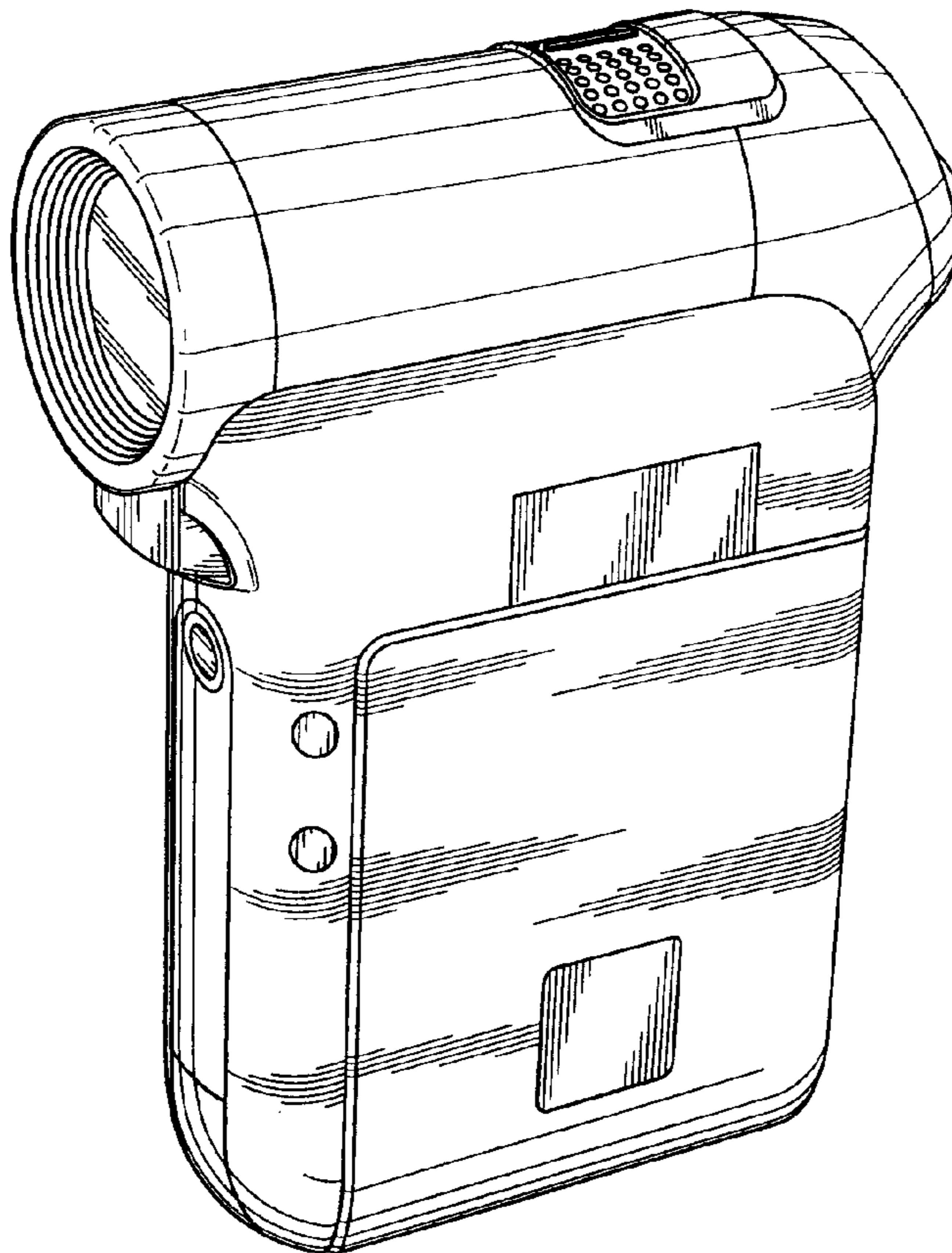
FIG. 4. is a left side elevational view thereof.

FIG. 5. is a right side elevational view thereof.

FIG. 6. is a top plan view thereof; and,

FIG. 7. is a bottom plan view thereof.

1 Claim, 5 Drawing Sheets



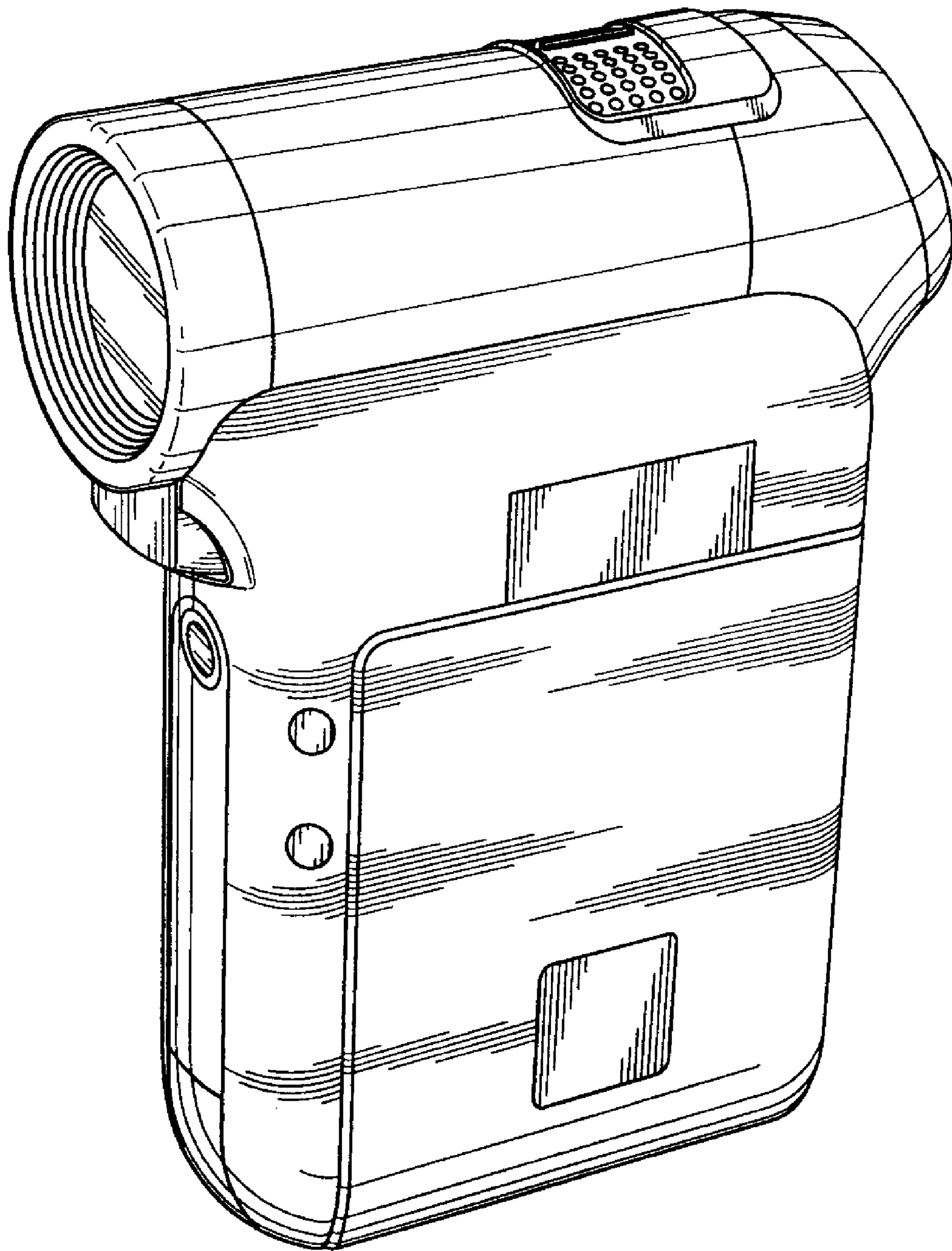


FIG. 1

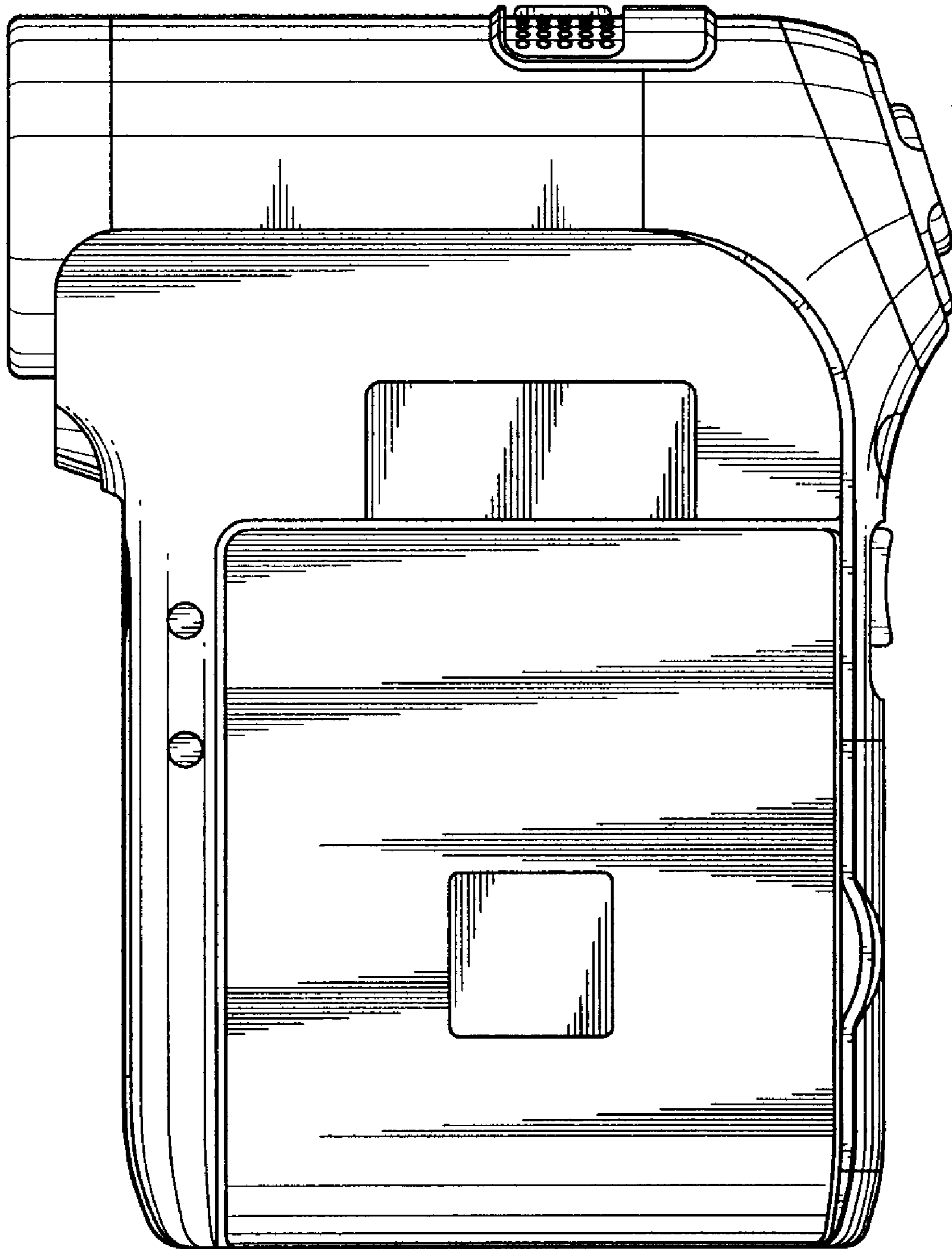


FIG. 2

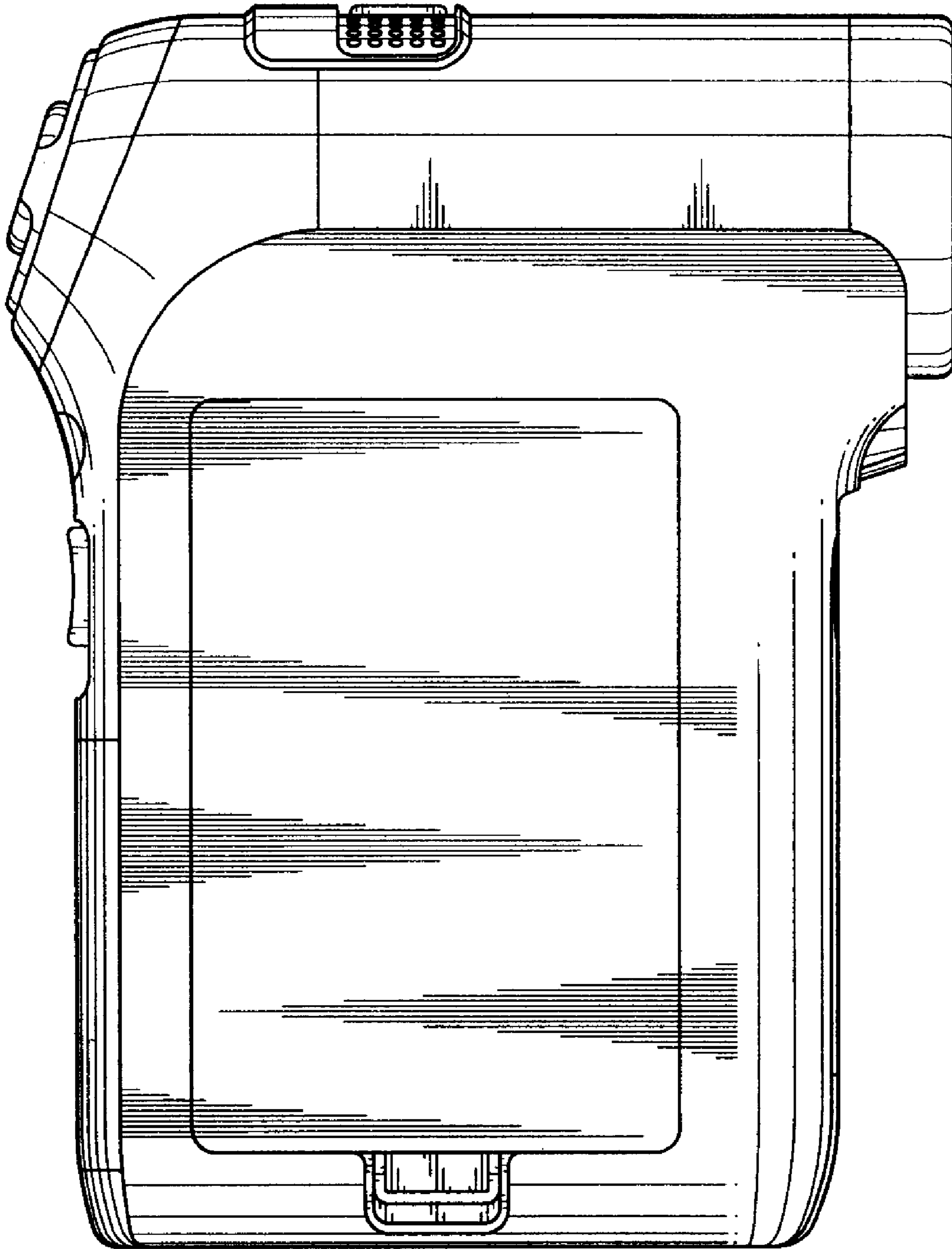


FIG. 3

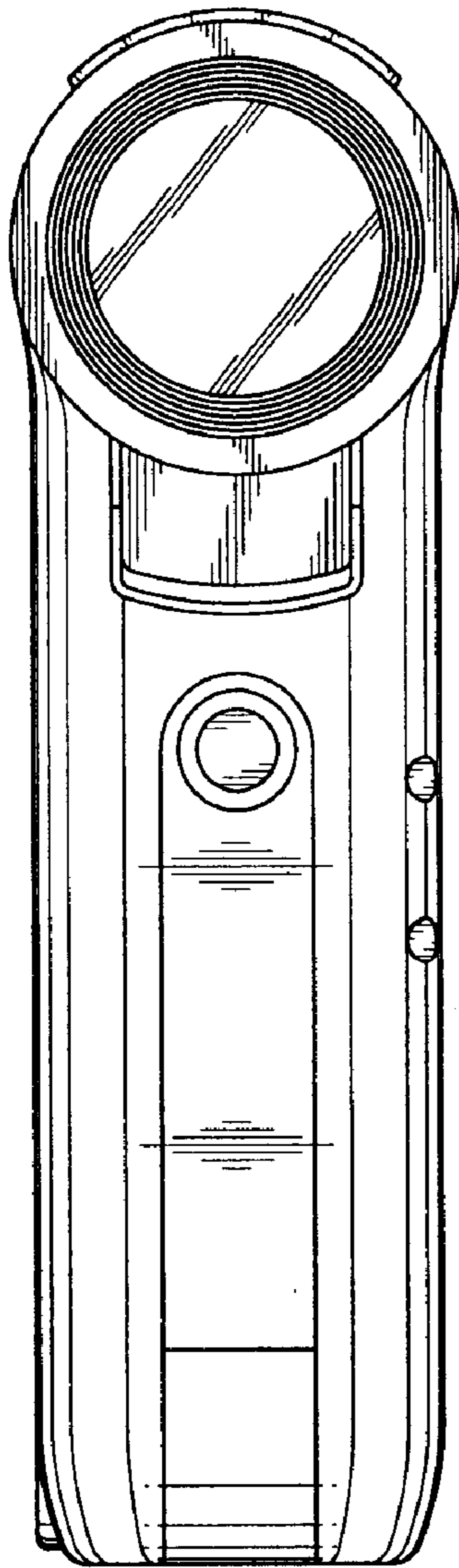


FIG. 4

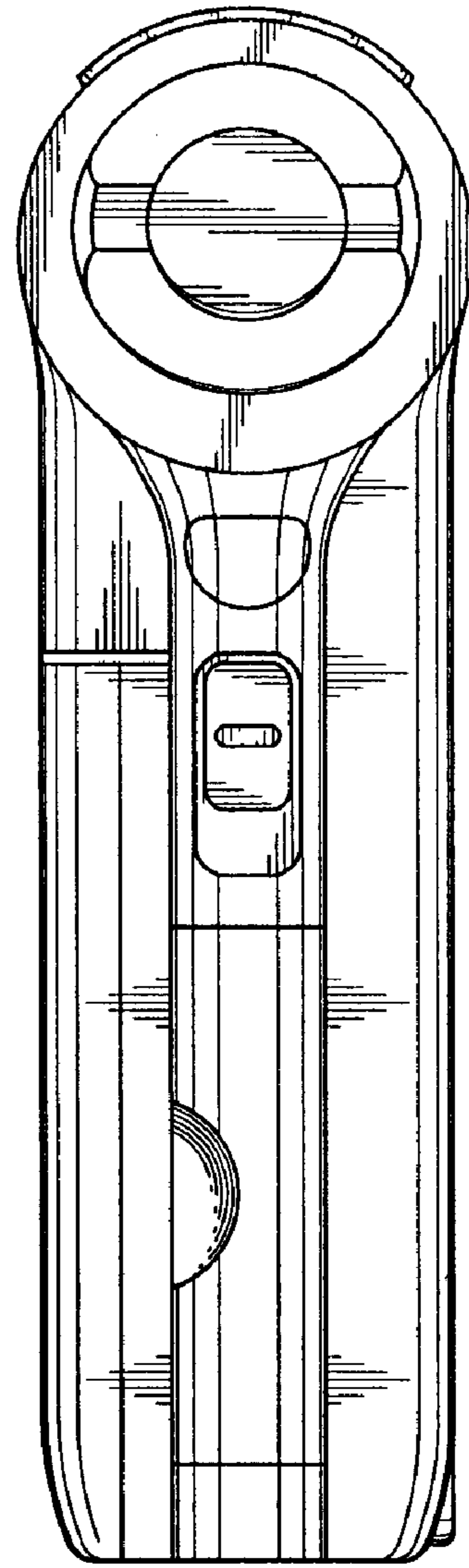


FIG. 5

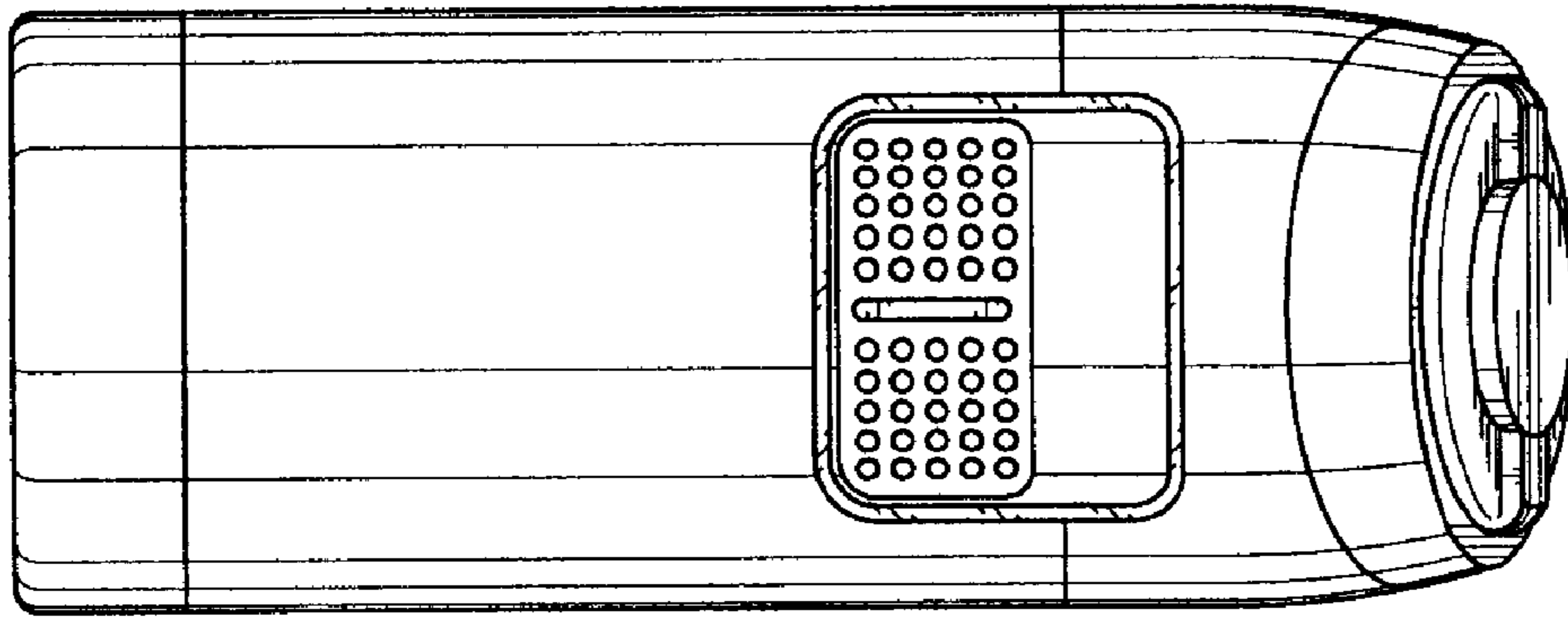


FIG. 6

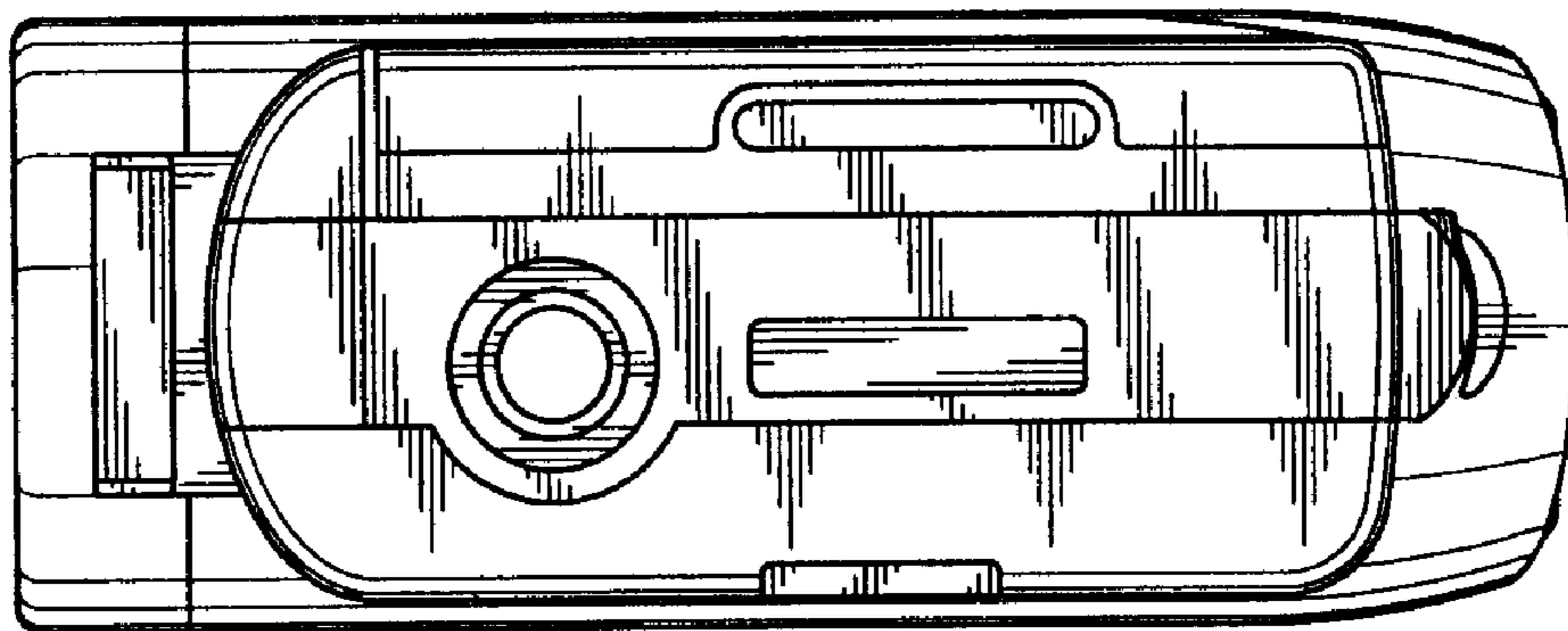


FIG. 7