



US00D528576S

(12) **United States Design Patent**
Chung et al.

(10) **Patent No.:** **US D528,576 S**

(45) **Date of Patent:** **** Sep. 19, 2006**

(54) **CAMCORDER**

(75) Inventors: **Yeon-Moo Chung**, Seoul (KR);
Won-Gab Byun, Seoul (KR)

(73) Assignee: **Samsung Electronics Co., Ltd.**,
Kyunggi-do (KR)

(**) Term: **14 Years**

(21) Appl. No.: **29/226,436**

(22) Filed: **Mar. 29, 2005**

(51) **LOC (8) Cl.** **16-01**

(52) **U.S. Cl.** **D16/202; D16/203**

(58) **Field of Classification Search** D16/200–206,
D16/208, 218; 348/373–376; 358/906, 909.1;
396/25–29, 535–541

See application file for complete search history.

(56) **References Cited**

U.S. PATENT DOCUMENTS

D258,444 S	*	3/1981	Mineshima	D16/218
4,335,944 A	*	6/1982	Marshall	396/28
D356,806 S	*	3/1995	Kim	D16/202
D365,354 S	*	12/1995	Sung	D16/202
D366,886 S	*	2/1996	Choi	D16/202
D373,925 S	*	9/1996	Kim	D16/202
D378,095 S	*	2/1997	Hasegawa	D16/203
D378,296 S	*	3/1997	Choi	D16/202
D383,767 S	*	9/1997	Sung et al.	D16/202

D386,506 S	*	11/1997	Choi et al.	D16/202
D390,243 S	*	2/1998	Choi	D16/202
D418,152 S	*	12/1999	McBride	D16/204
D428,618 S	*	7/2000	McBride	D16/203
D430,888 S	*	9/2000	Adachi et al.	D16/203
D454,902 S	*	3/2002	Hsu et al.	D16/202
D474,792 S	*	5/2003	Hyun	D16/202
D484,159 S	*	12/2003	Cheng	D16/203
D484,903 S	*	1/2004	Cheng	D16/203
D506,489 S	*	6/2005	Owada	D16/203

* cited by examiner

Primary Examiner—Adir Aronovich

(74) *Attorney, Agent, or Firm*—Flynn, Thiel, Boutell &
Tanis, P.C.

(57) **CLAIM**

The ornamental design for a camcorder, as shown and described.

DESCRIPTION

FIG. 1. is a top front perspective view of a camcorder showing our new design.

FIG. 2 is a front elevational view thereof, an undisclosed rear view is symmetrical to the front elevational view;

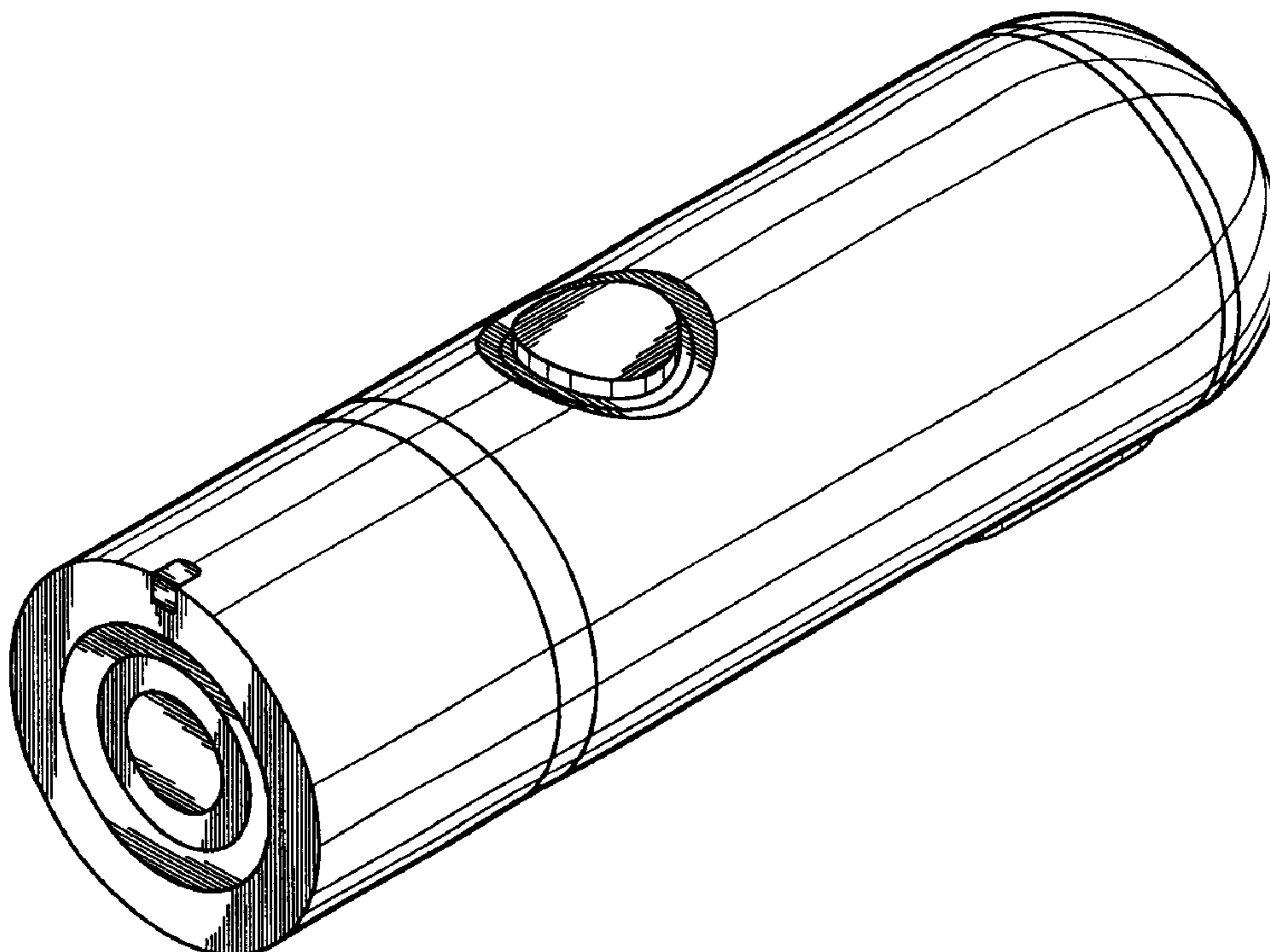
FIG. 3. is a left side elevational view thereof.

FIG. 4. is a right side elevational view thereof.

FIG. 5. is a top plan view thereof; and,

FIG. 6. is a bottom plan view thereof.

1 Claim, 4 Drawing Sheets



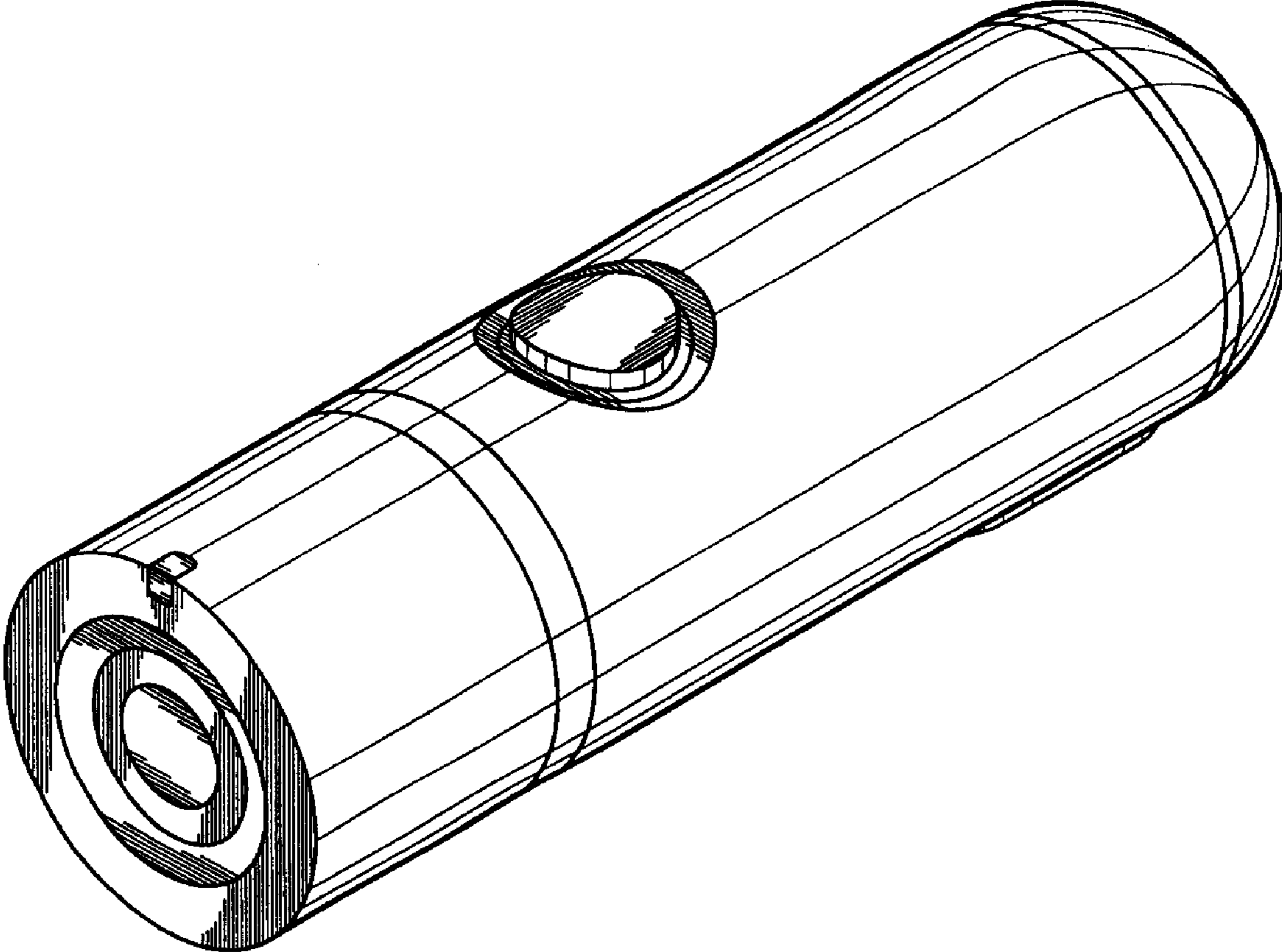


FIG. 1

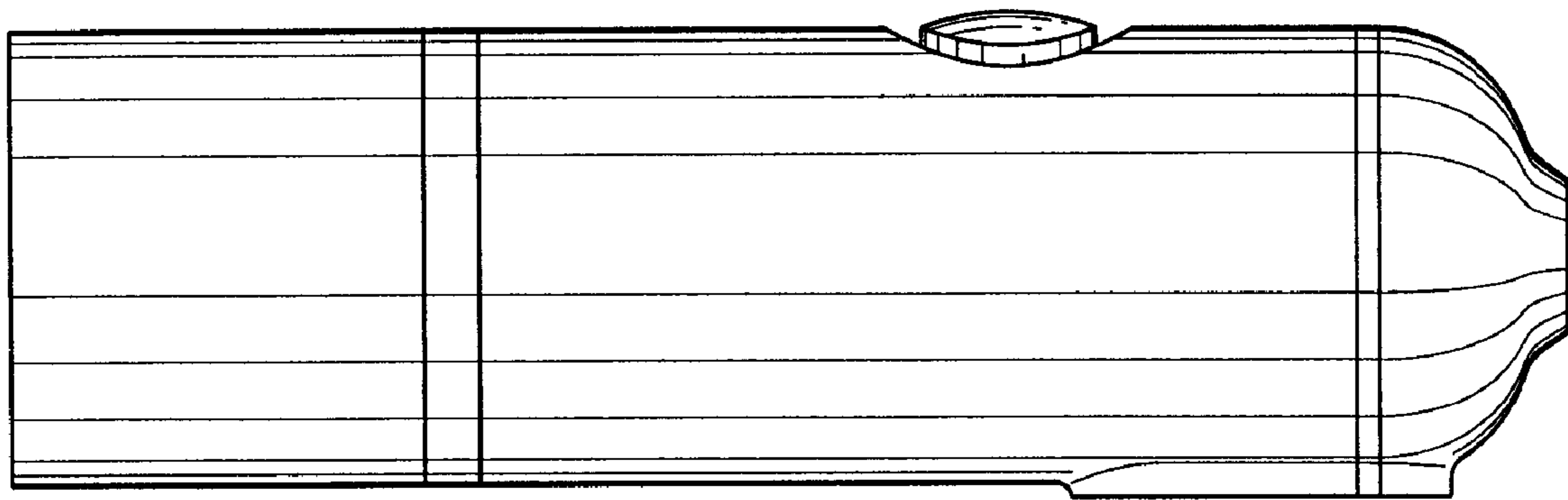


FIG. 2

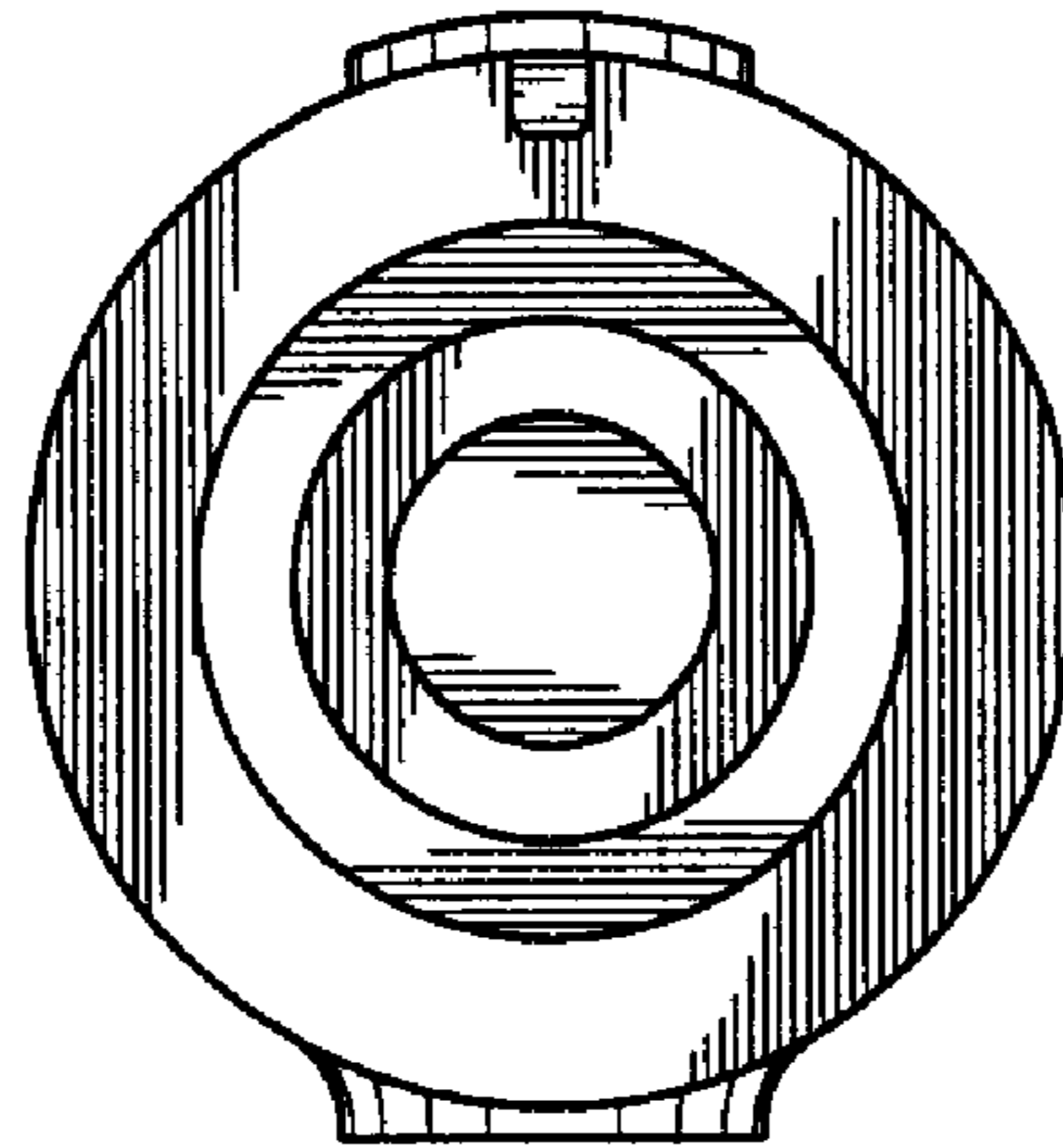


FIG. 3

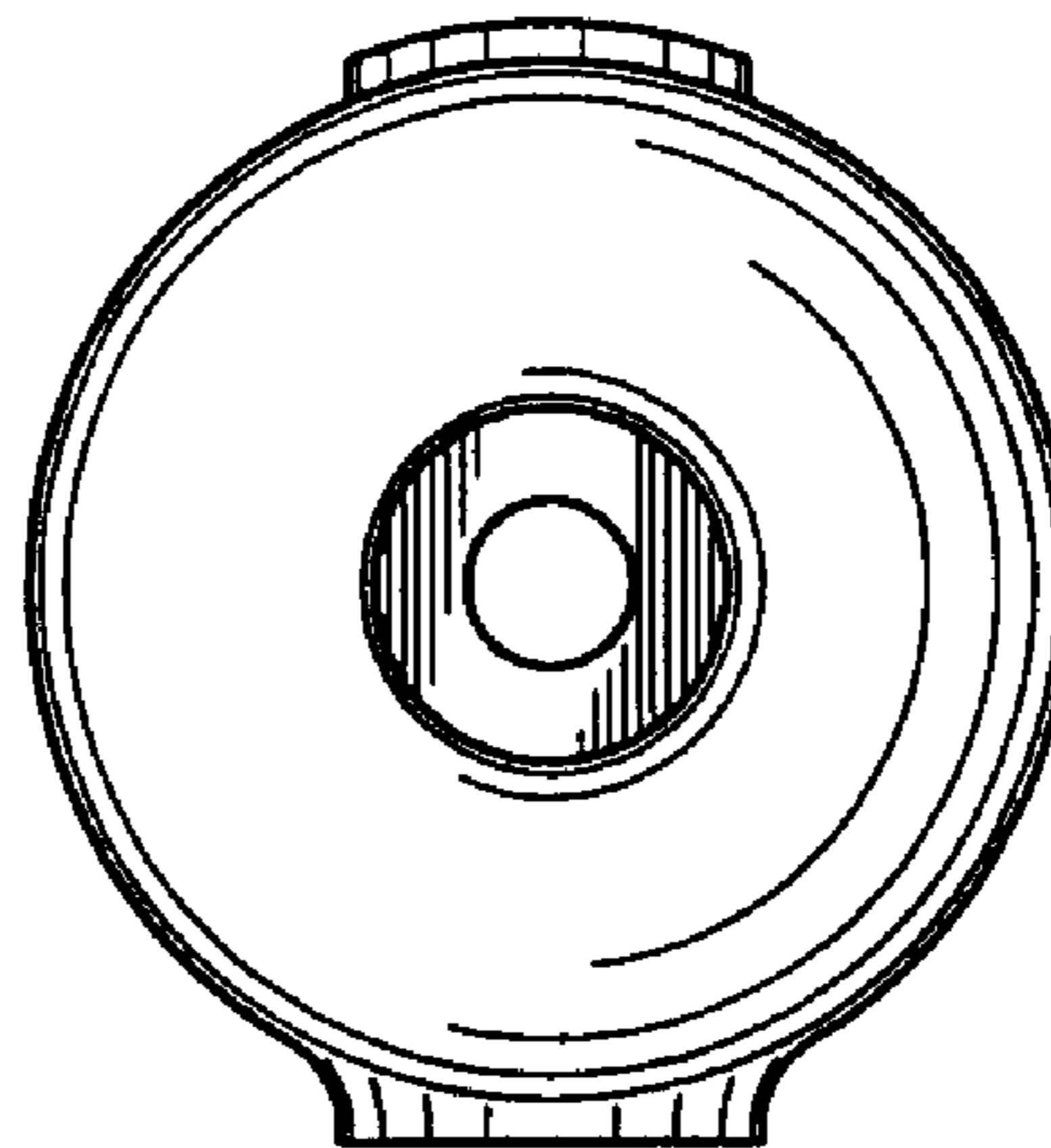


FIG. 4

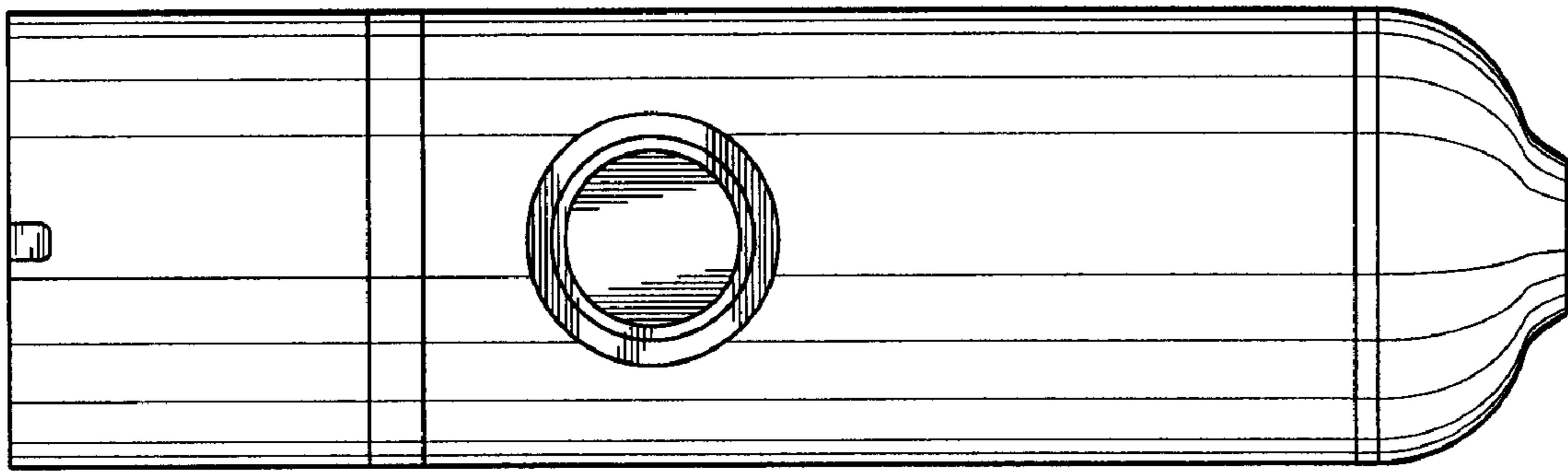


FIG. 5

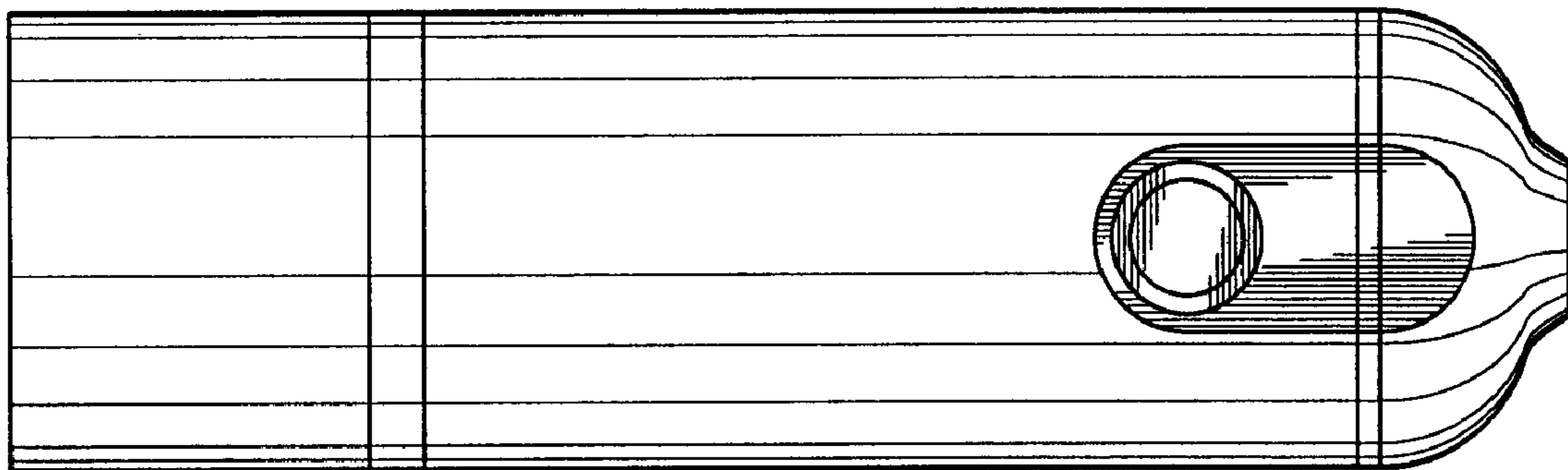


FIG. 6