

US00D528575S

(12) **United States Design Patent**
Suzuki et al.

(10) **Patent No.:** **US D528,575 S**

(45) **Date of Patent:** **** *Sep. 19, 2006**

(54) **DIGITAL VIDEO CAMERA**

(75) Inventors: **Ken Suzuki**, Niiza (JP); **Masatomo Naruki**, Kawasaki (JP)

(73) Assignee: **Kabushiki Kaisha Toshiba** (JP)

(*) Notice: This patent is subject to a terminal disclaimer.

(**) Term: **14 Years**

(21) Appl. No.: **29/223,631**

(22) Filed: **Feb. 17, 2005**

(30) **Foreign Application Priority Data**

Dec. 28, 2004 (JP) 2004-040416

(51) **LOC (8) Cl.** **16-01**

(52) **U.S. Cl.** **D16/202; D16/205**

(58) **Field of Classification Search** D16/200–206, D16/208, 218; 348/373–376; 358/906; 396/535–541
See application file for complete search history.

(56) **References Cited**

U.S. PATENT DOCUMENTS

5,739,859	A	*	4/1998	Hattori et al.	348/375
D407,097	S	*	3/1999	Suzuki et al.	D16/205
D426,843	S	*	6/2000	Tanaka	D16/202
D431,582	S	*	10/2000	Sumita et al.	D16/202
D445,816	S		7/2001	Tanaka		
D446,800	S	*	8/2001	Fukushima et al.	D16/202
D463,469	S	*	9/2002	Kawase	D16/202
D488,495	S	*	4/2004	Shimizu	D16/202
6,727,954	B1	*	4/2004	Okada et al.	348/374
D496,954	S	*	10/2004	Matsumoto et al.	D16/202
D499,437	S	*	12/2004	Miyamori et al.	D16/202
D501,216	S	*	1/2005	Shimizu	D16/202

FOREIGN PATENT DOCUMENTS

JP 1067168 4/2000

JP	1068591	5/2000
JP	1196146	2/2004
JP	1216241	9/2004

OTHER PUBLICATIONS

Nikkeibp.jp for Technology & Business, Network Summit 2004, GZ-MC100, dated Sep. 15, 2004.

B&H Photo-Video-Pro Audio Catalog, Summer 2004, pp. 131–137, dated Jun. 2004.

* cited by examiner

Primary Examiner—Adir Aronovich

(74) *Attorney, Agent, or Firm*—Banner & Witcoff, Ltd.

(57) **CLAIM**

The ornamental design for a digital video camera, as shown and described.

DESCRIPTION

FIG. 1 is a top, front and right side perspective view of a digital video camera showing our new design, FIG. 2 is a front elevational view thereof, FIG. 3 is a rear elevational view thereof, FIG. 4 is a left side elevational view thereof, FIG. 5 is a right side elevational view thereof, FIG. 6 is a top plan view thereof, FIG. 7 is a bottom plan view thereof, FIG. 8 is a top, rear and right side perspective view thereof, FIG. 9 is a rear elevational view showing the article with the display in an opened position thereof, FIG. 10 is a right side elevational view showing the article with the display in the opened position thereof, FIG. 11 is a top, front and right side perspective view showing the article with the display in the opened position thereof; and, FIG. 12 is a top, rear and right side perspective view showing the article with the display in the opened position thereof.

1 Claim, 6 Drawing Sheets

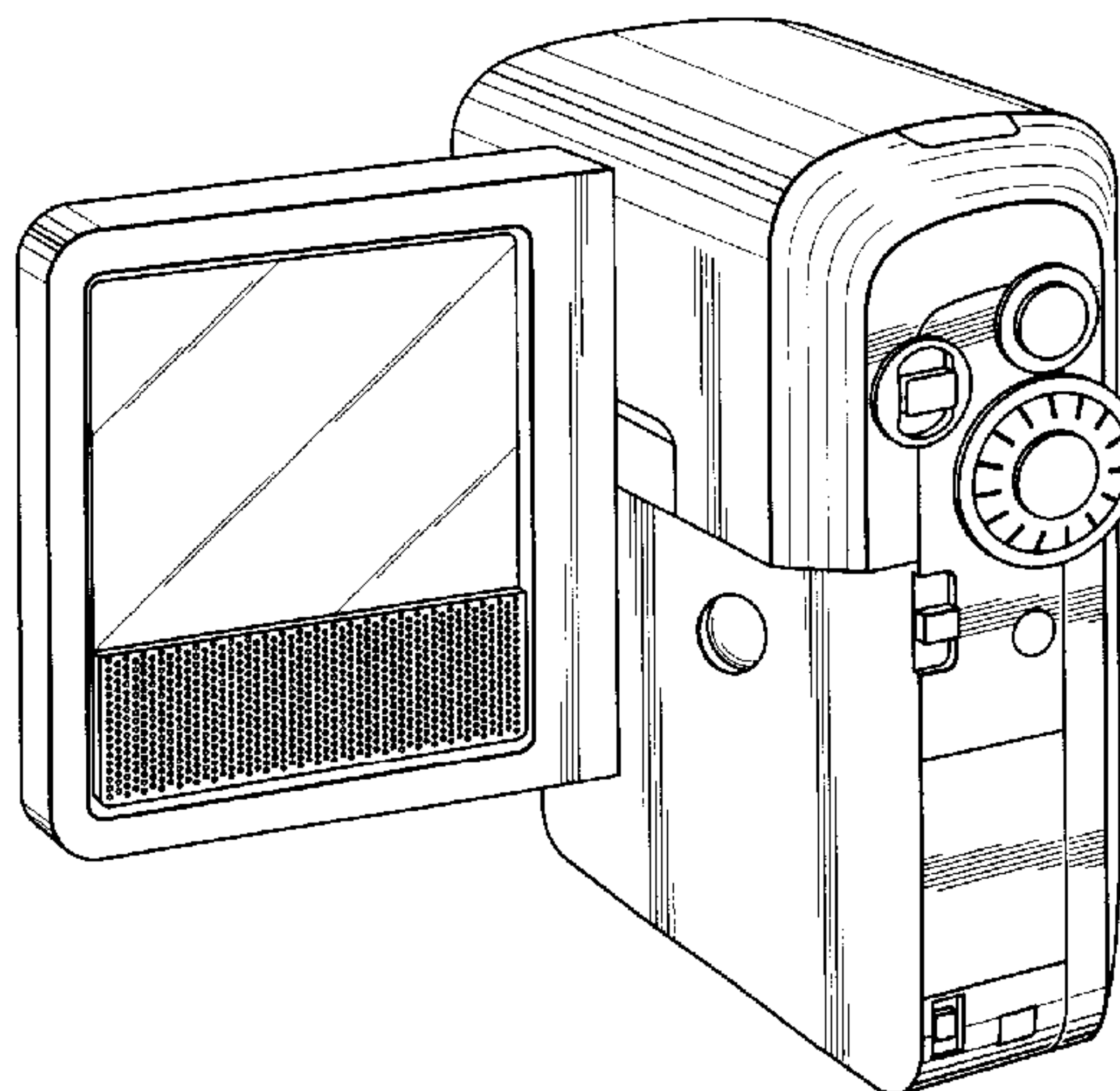
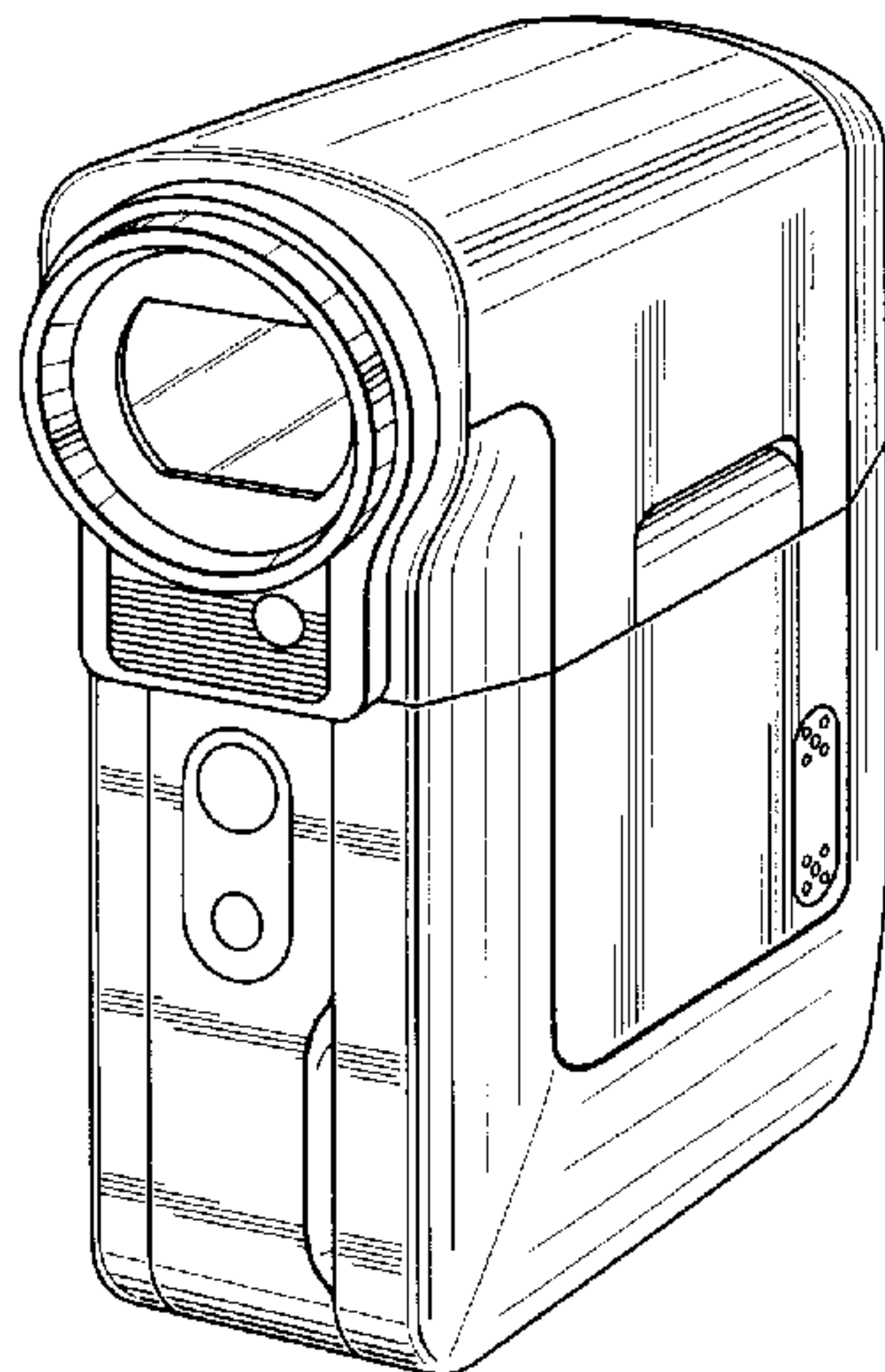


FIG. 1

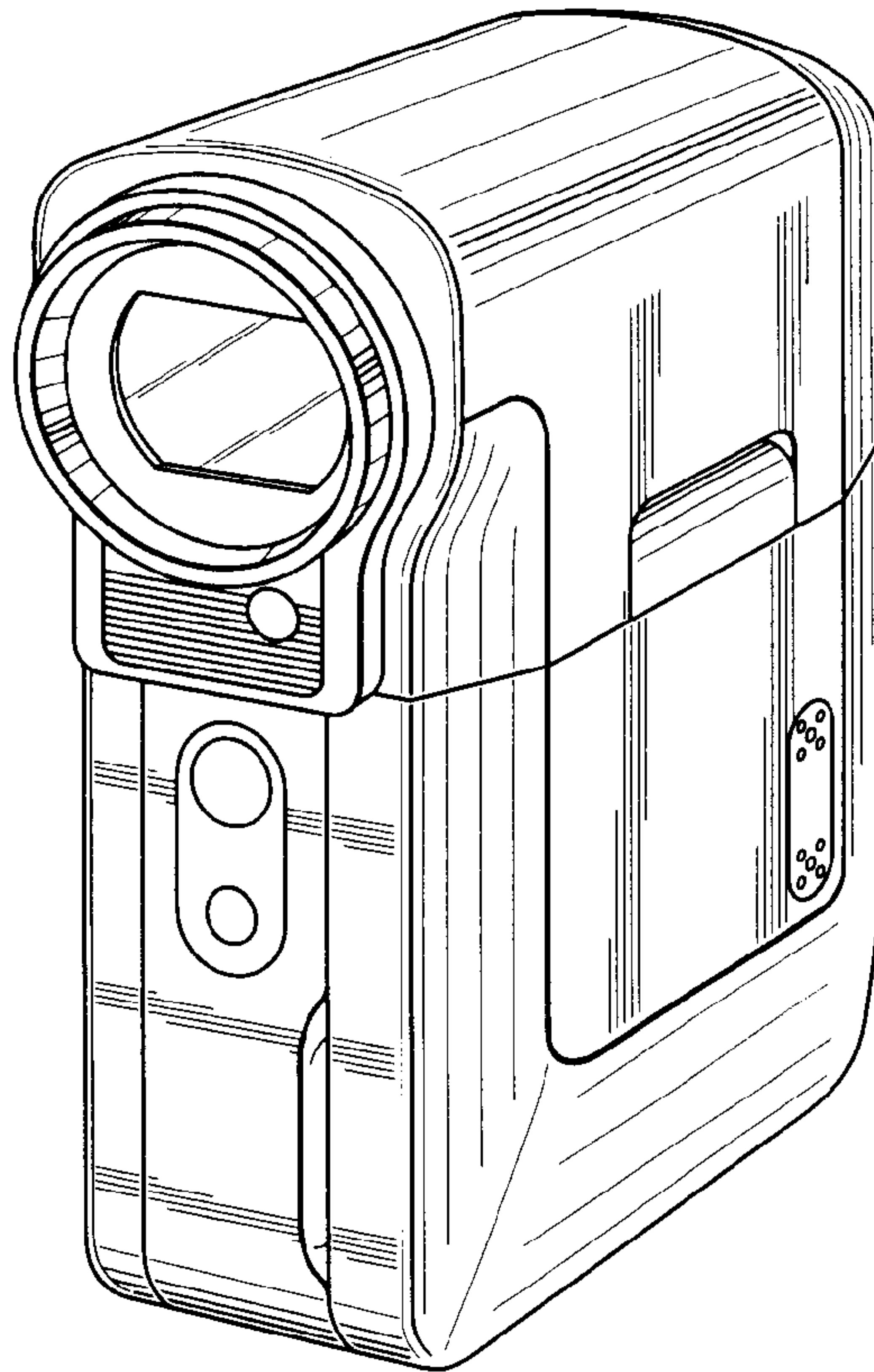


FIG. 2

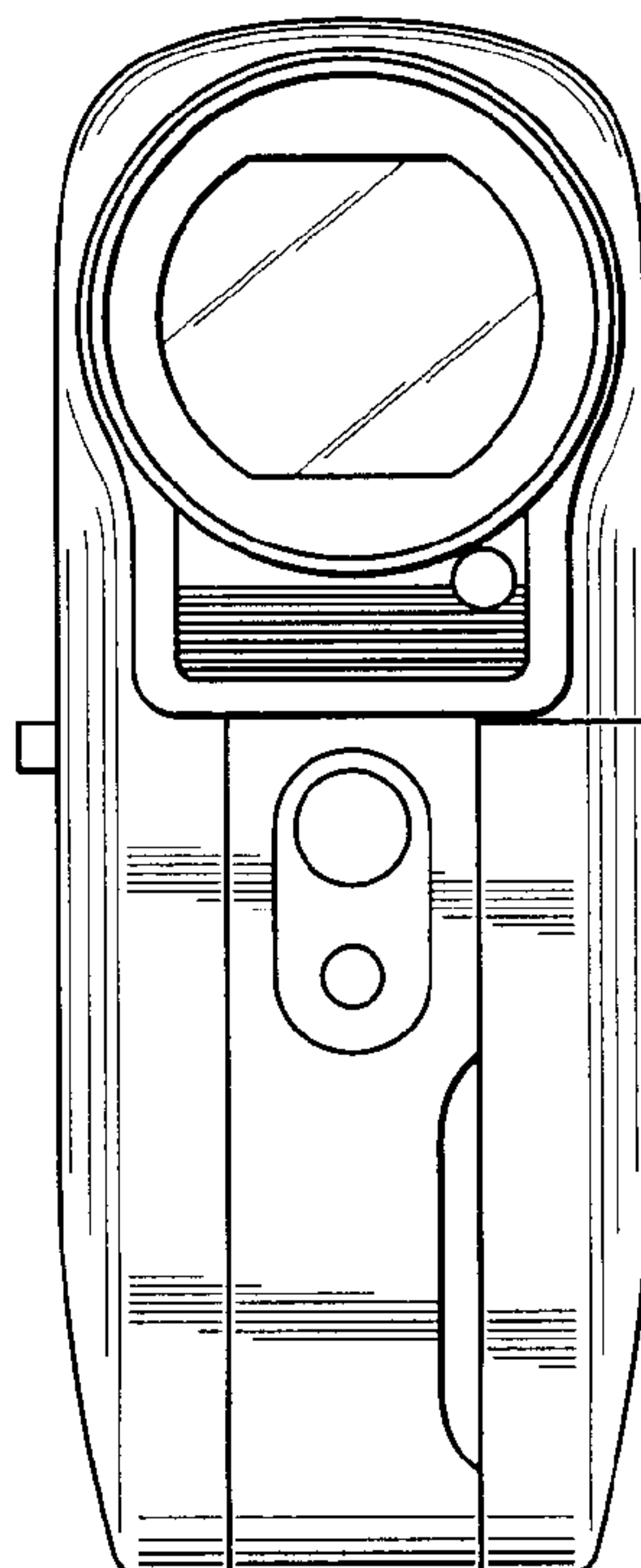


FIG. 3

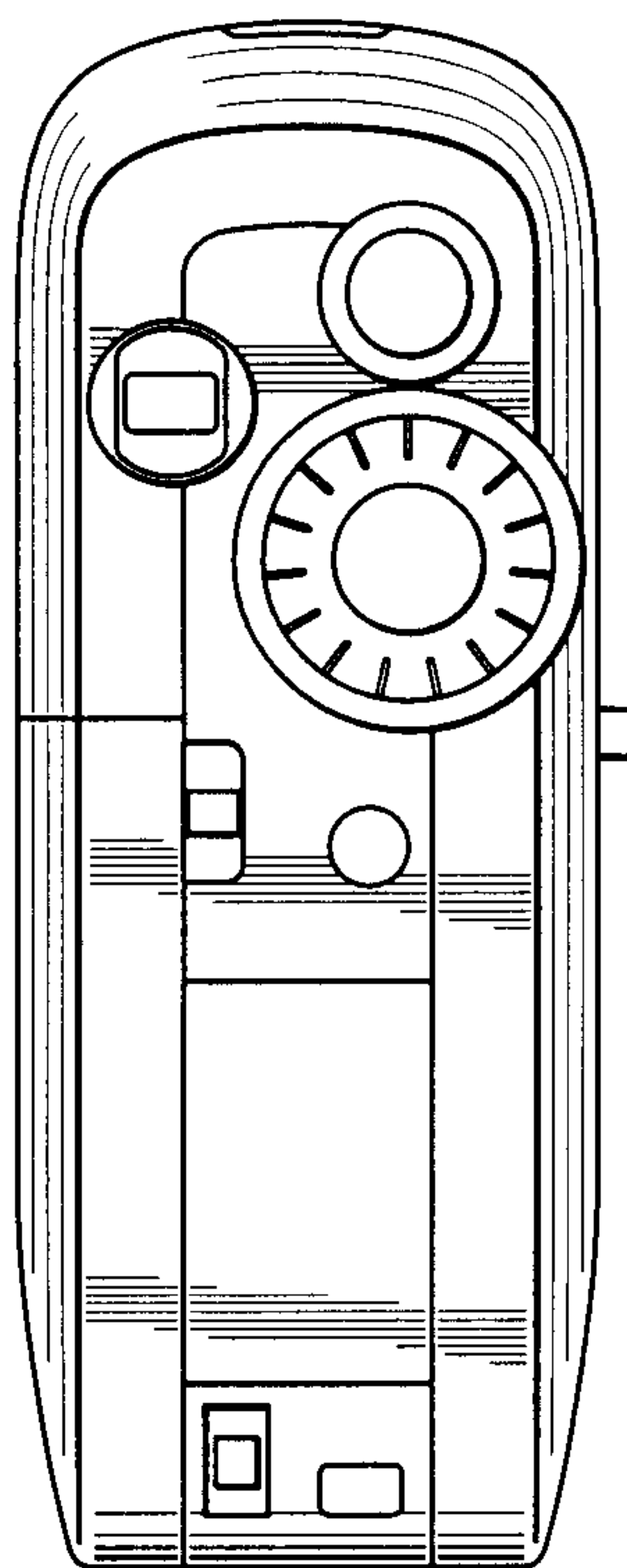


FIG. 4

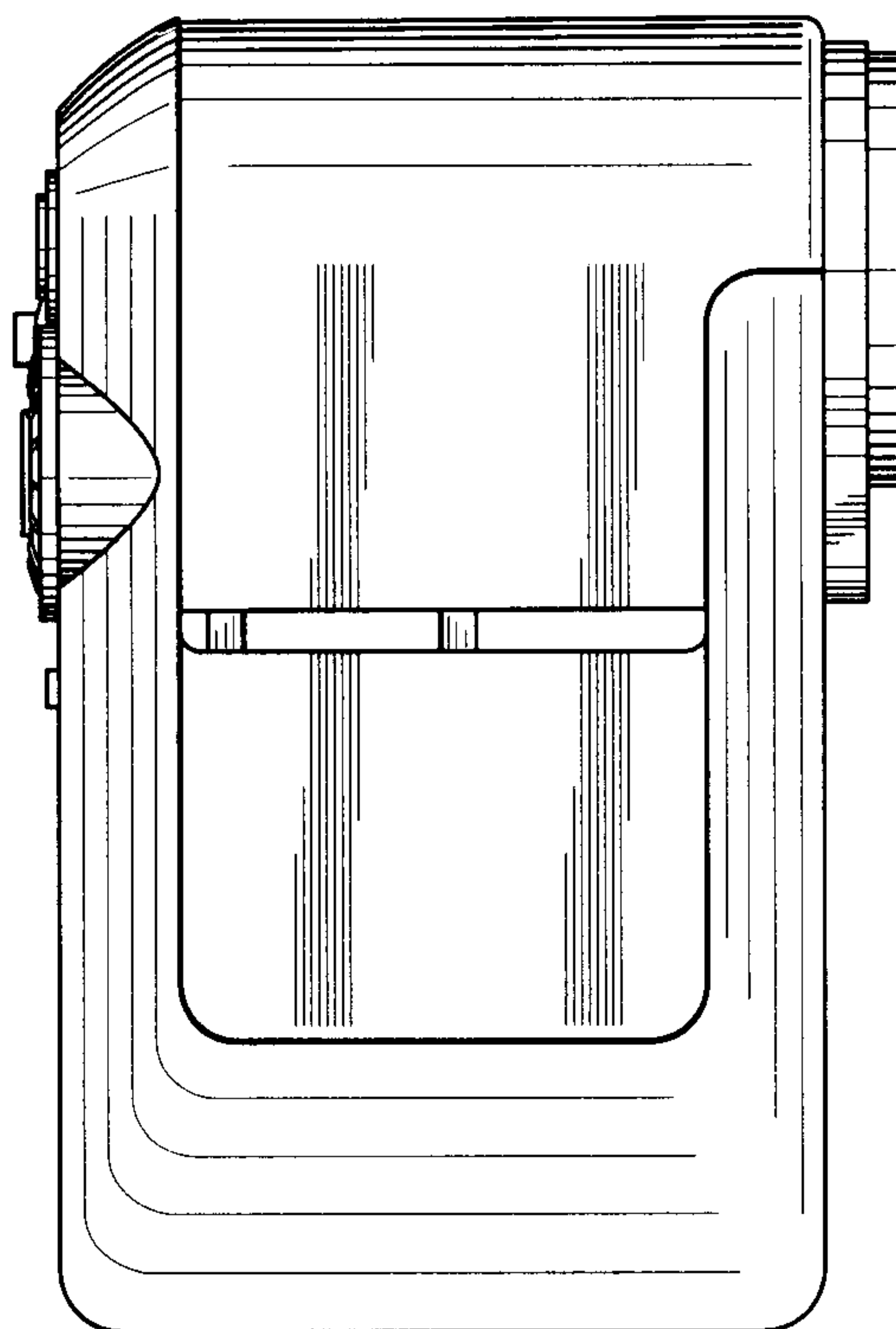


FIG. 5

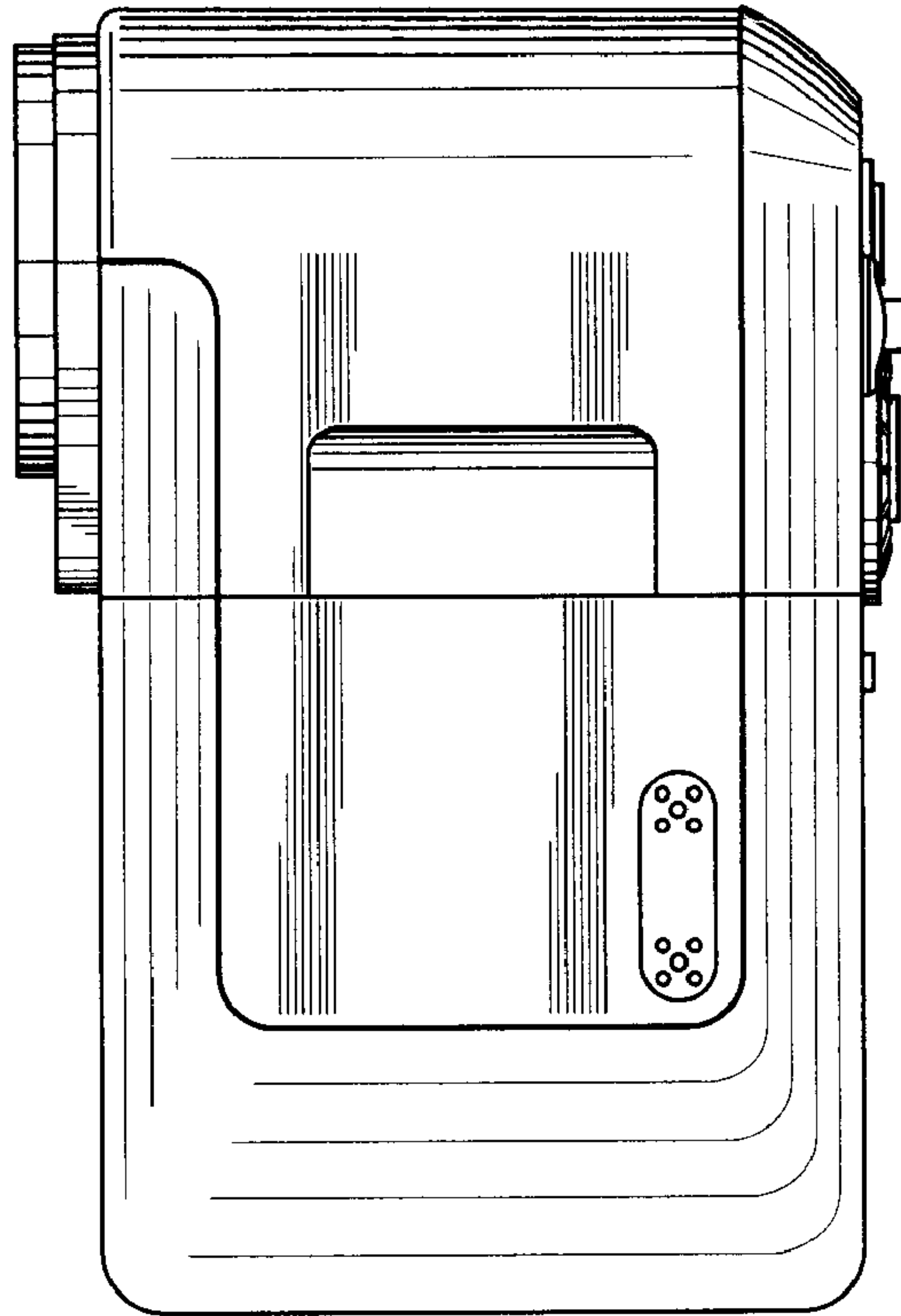


FIG. 6

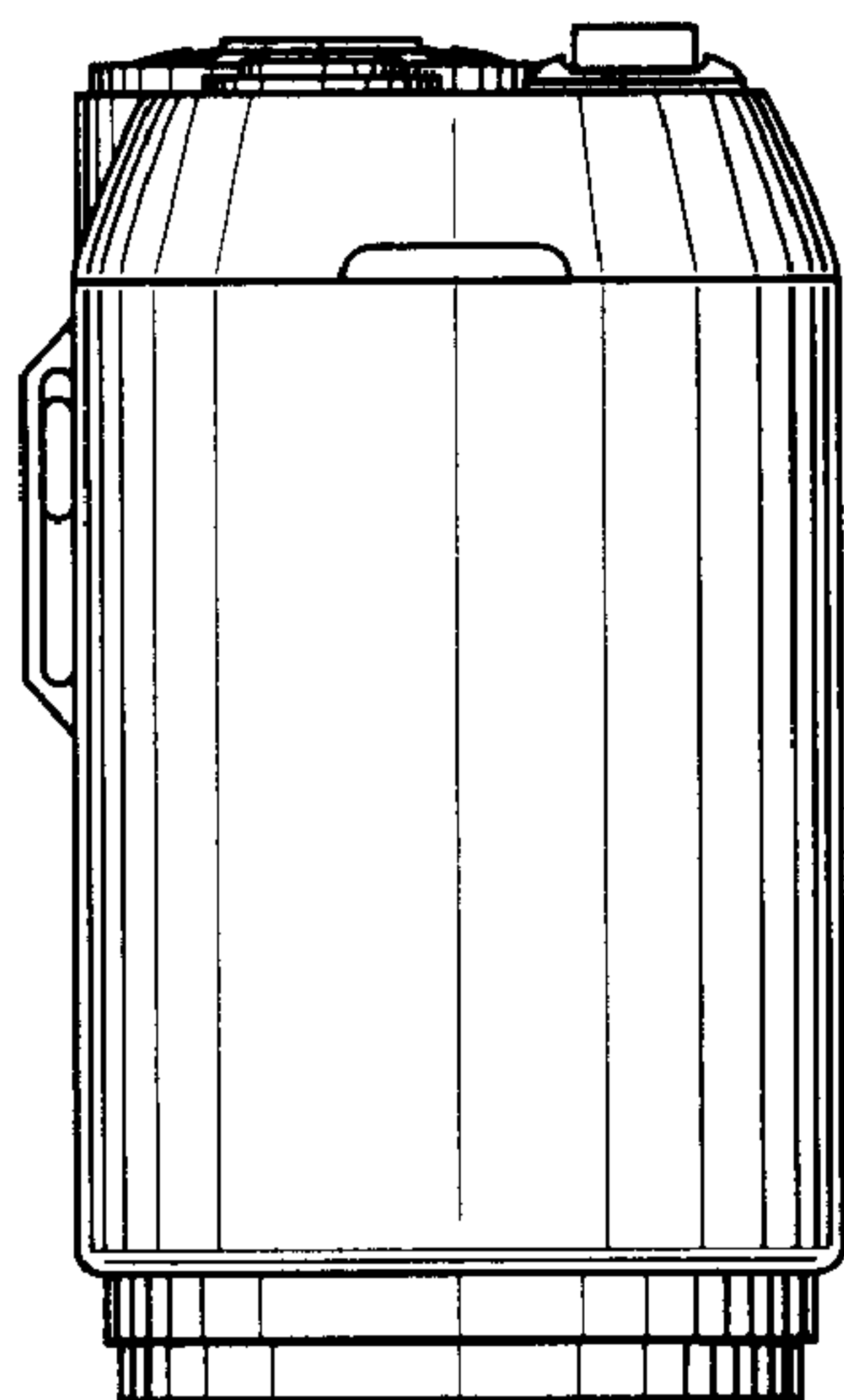


FIG. 7

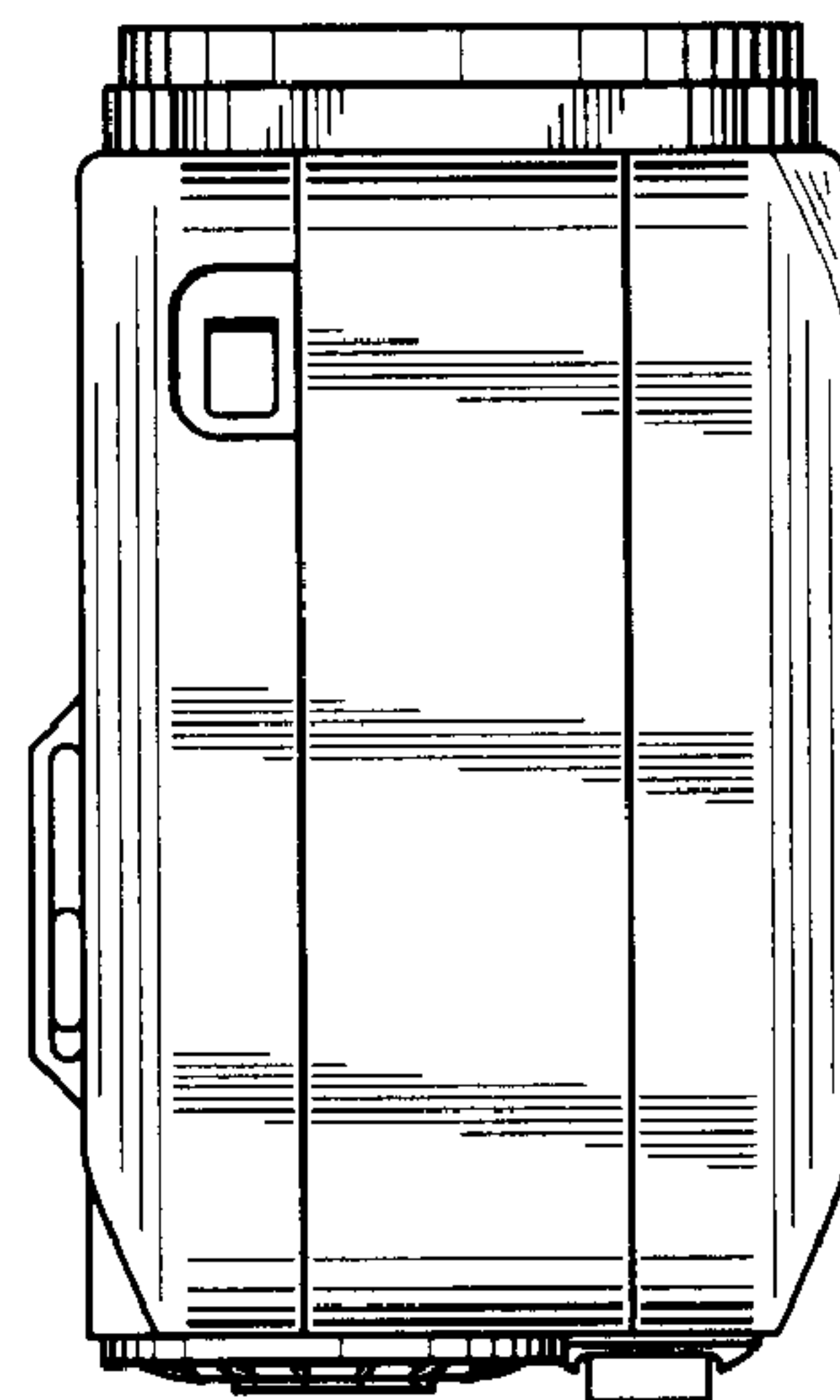


FIG. 8

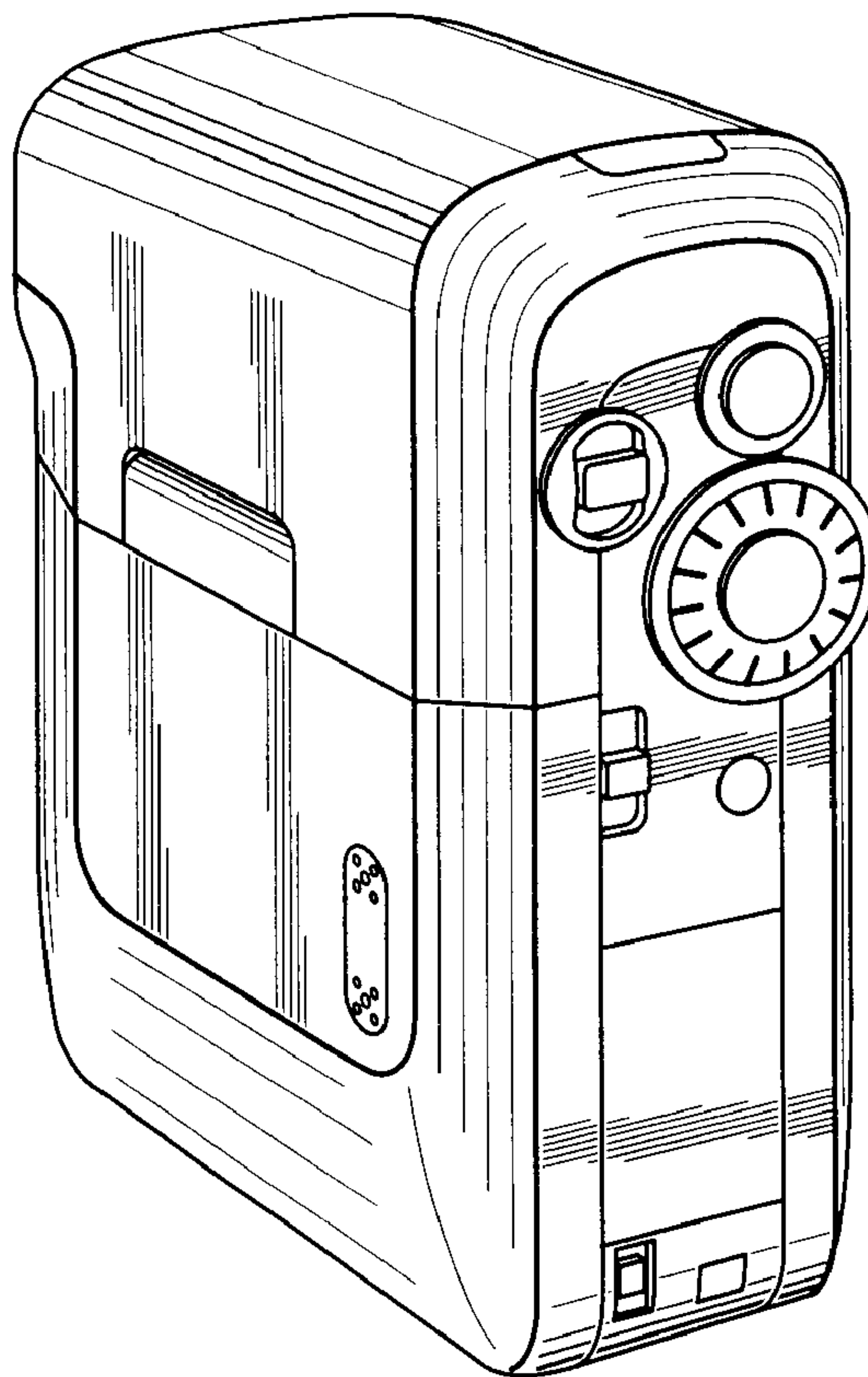


FIG. 9

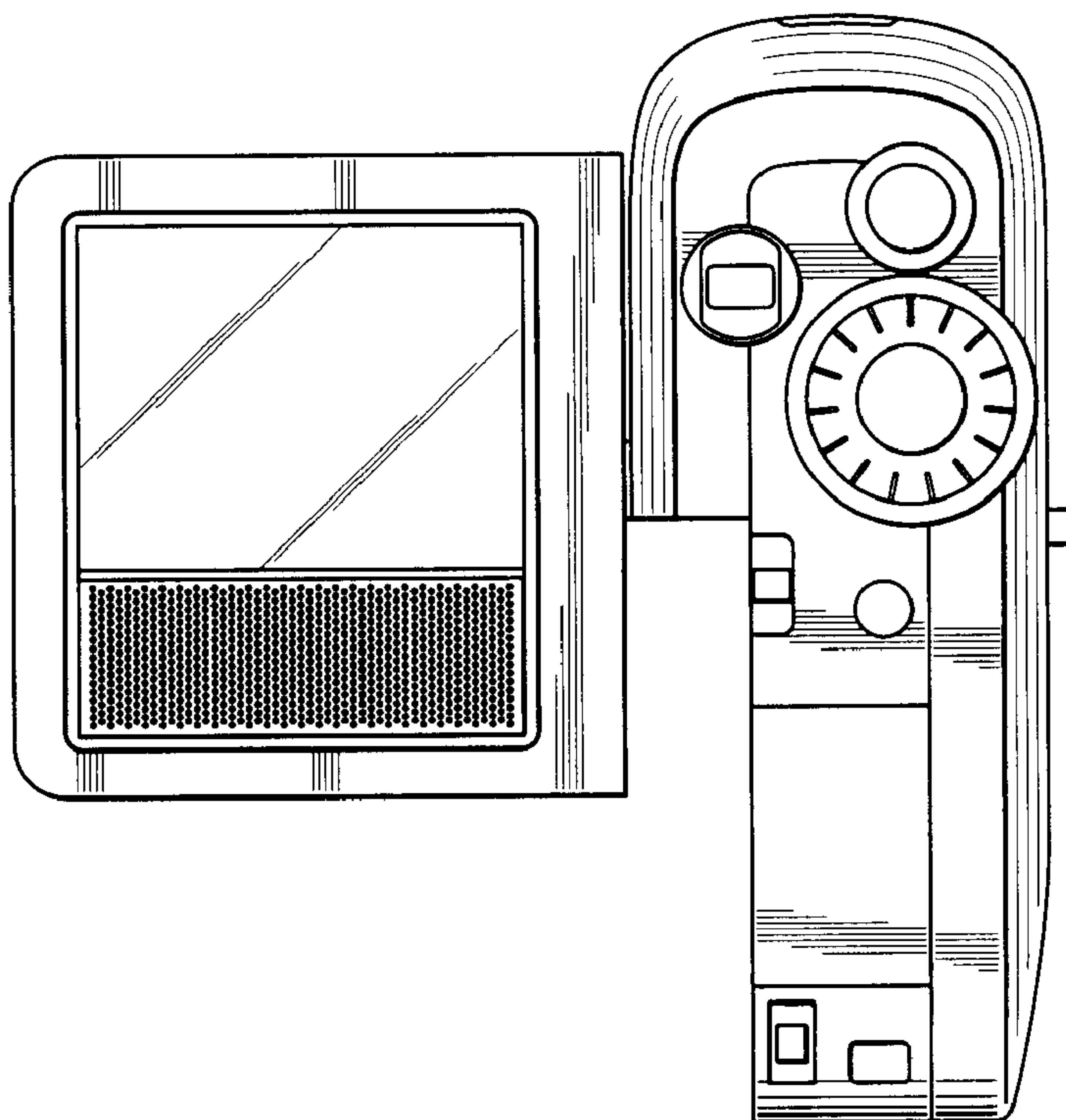


FIG. 10

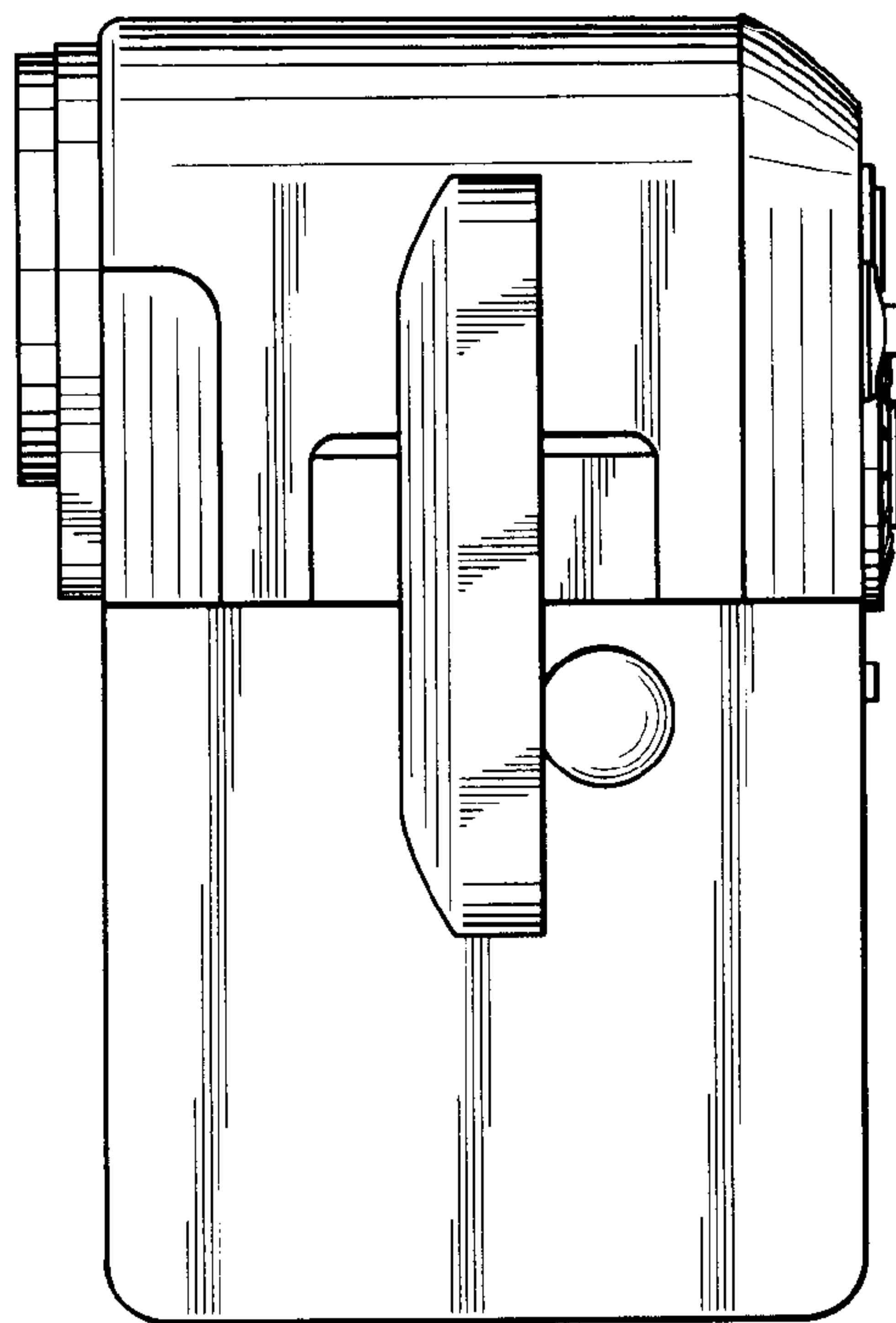


FIG. 11

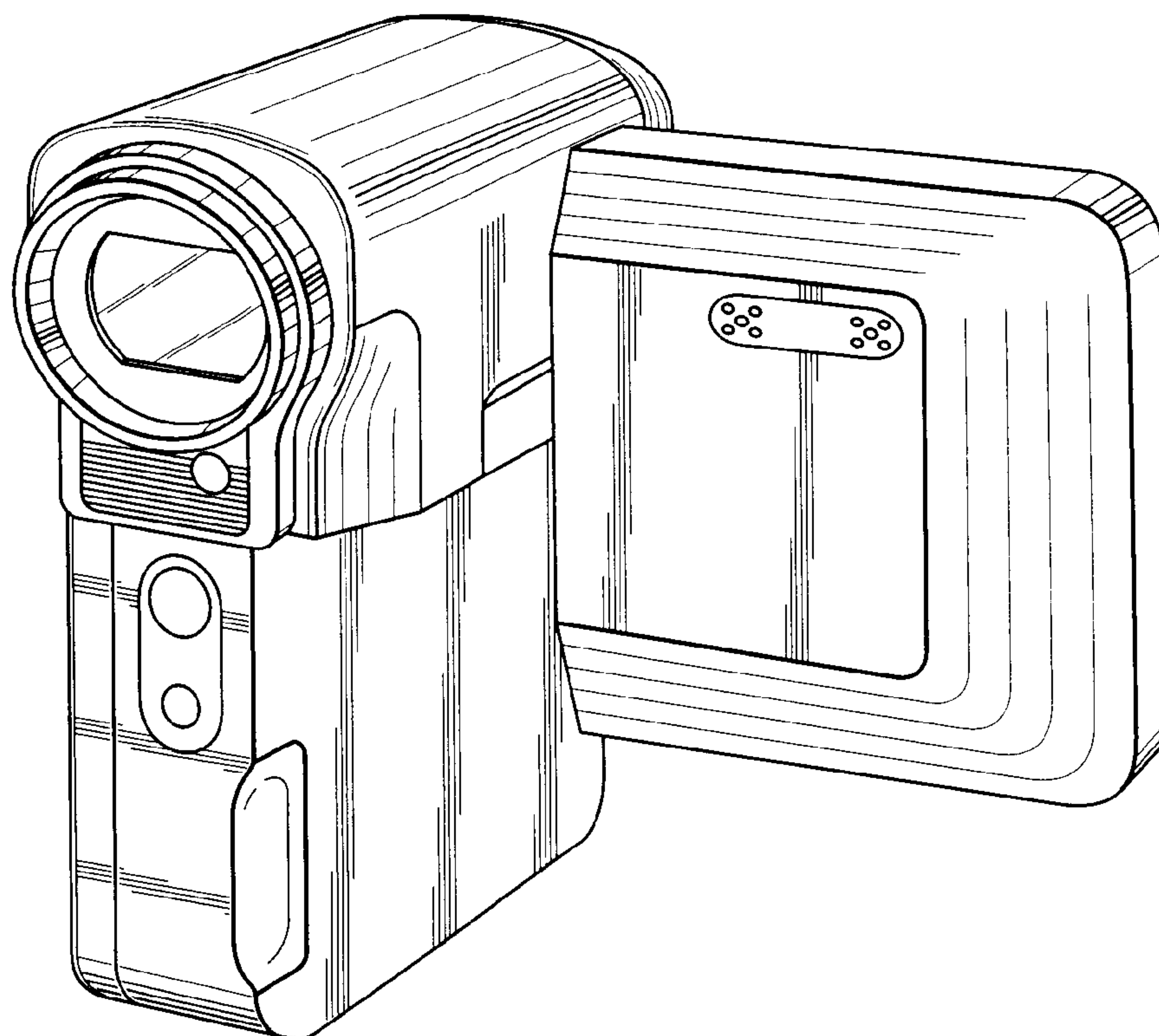


FIG. 12

