



US00D528574S

(12) **United States Design Patent**  
**Koinuma**

(10) **Patent No.:** **US D528,574 S**

(45) **Date of Patent:** **\*\* Sep. 19, 2006**

(54) **SPOTTING SCOPE**

(75) Inventor: **Masahiro Koinuma**, Tokyo (JP)

(73) Assignee: **PENTAX Corporation**, Tokyo (JP)

(\*\*) Term: **14 Years**

(21) Appl. No.: **29/210,863**

(22) Filed: **Aug. 9, 2004**

(30) **Foreign Application Priority Data**

Feb. 9, 2004 (JP) ..... 2004-003222

(51) **LOC (8) Cl.** ..... **16-06**

(52) **U.S. Cl.** ..... **D16/132**

(58) **Field of Classification Search** ..... D16/130,  
D16/132, 133; 359/350, 357, 353, 400, 404,  
359/407, 419, 420, 422, 426, 415, 428, 429,  
359/480, 827, 831, 835; D22/108, 109, 110  
See application file for complete search history.

(56) **References Cited**

**U.S. PATENT DOCUMENTS**

- D165,231 S \* 11/1951 Kiefer, III et al. .... D16/132
- D215,355 S \* 9/1969 Weatherby ..... D16/132
- D219,623 S \* 12/1970 Bushnell ..... D16/132
- D285,698 S \* 9/1986 Ogasawara ..... D16/132

- D288,210 S \* 2/1987 Mise ..... D16/132
- 4,669,833 A \* 6/1987 Mise ..... 359/420
- D300,039 S \* 2/1989 Huckenbeck ..... D16/132
- D395,440 S \* 6/1998 Ogasawara et al. .... D16/132
- D454,144 S \* 3/2002 Ogasawara et al. .... D16/132

\* cited by examiner

*Primary Examiner*—Paula A. Greene

(74) *Attorney, Agent, or Firm*—Sughrue Mion, PLLC

(57) **CLAIM**

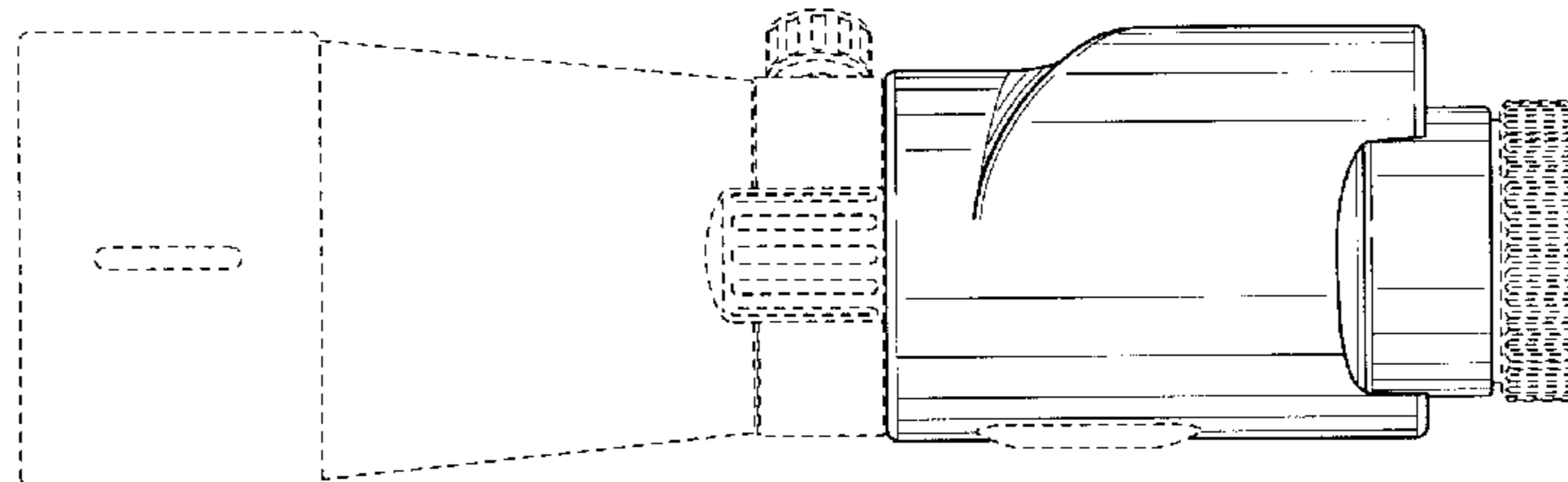
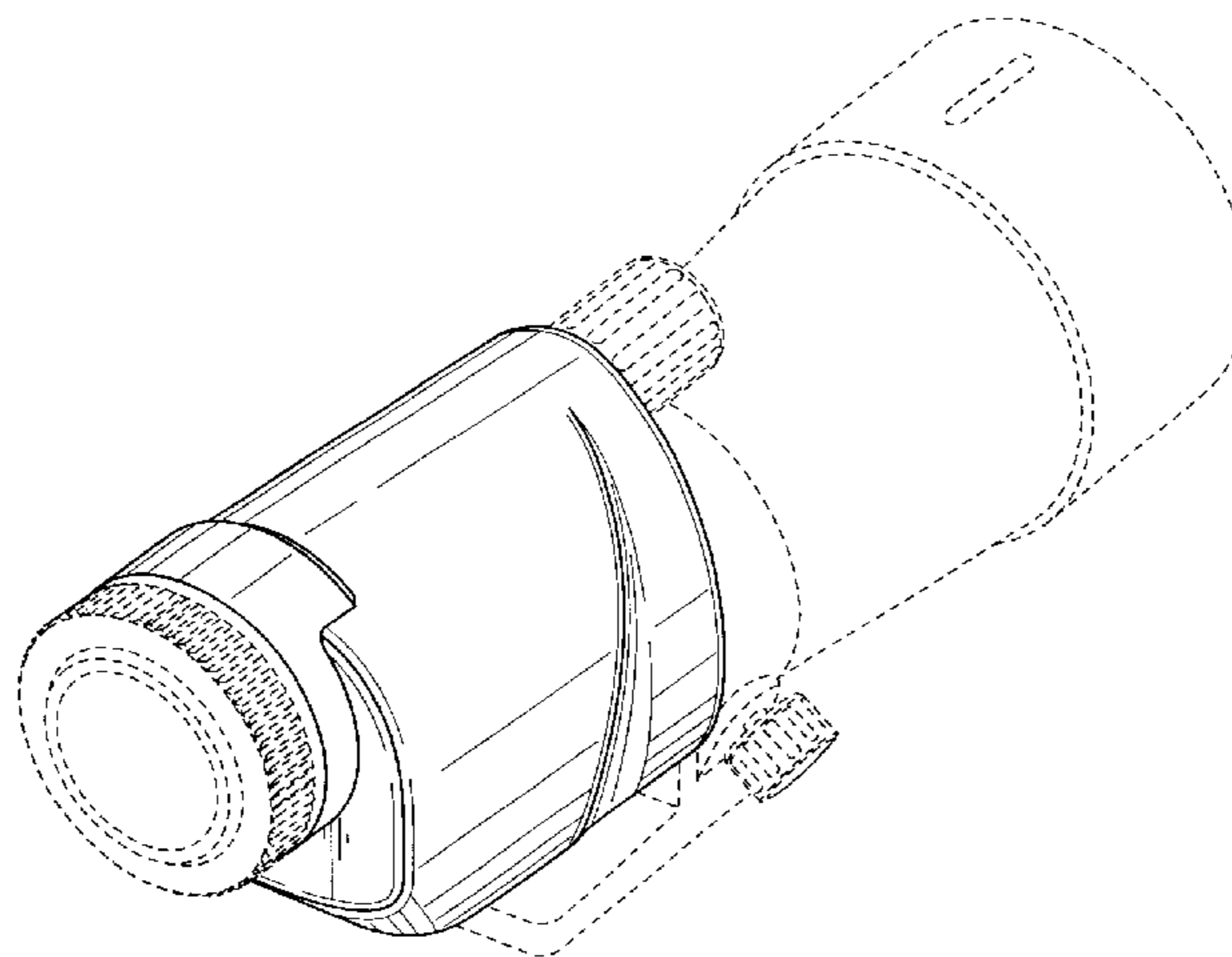
The ornamental design for a spotting scope, as shown and described.

**DESCRIPTION**

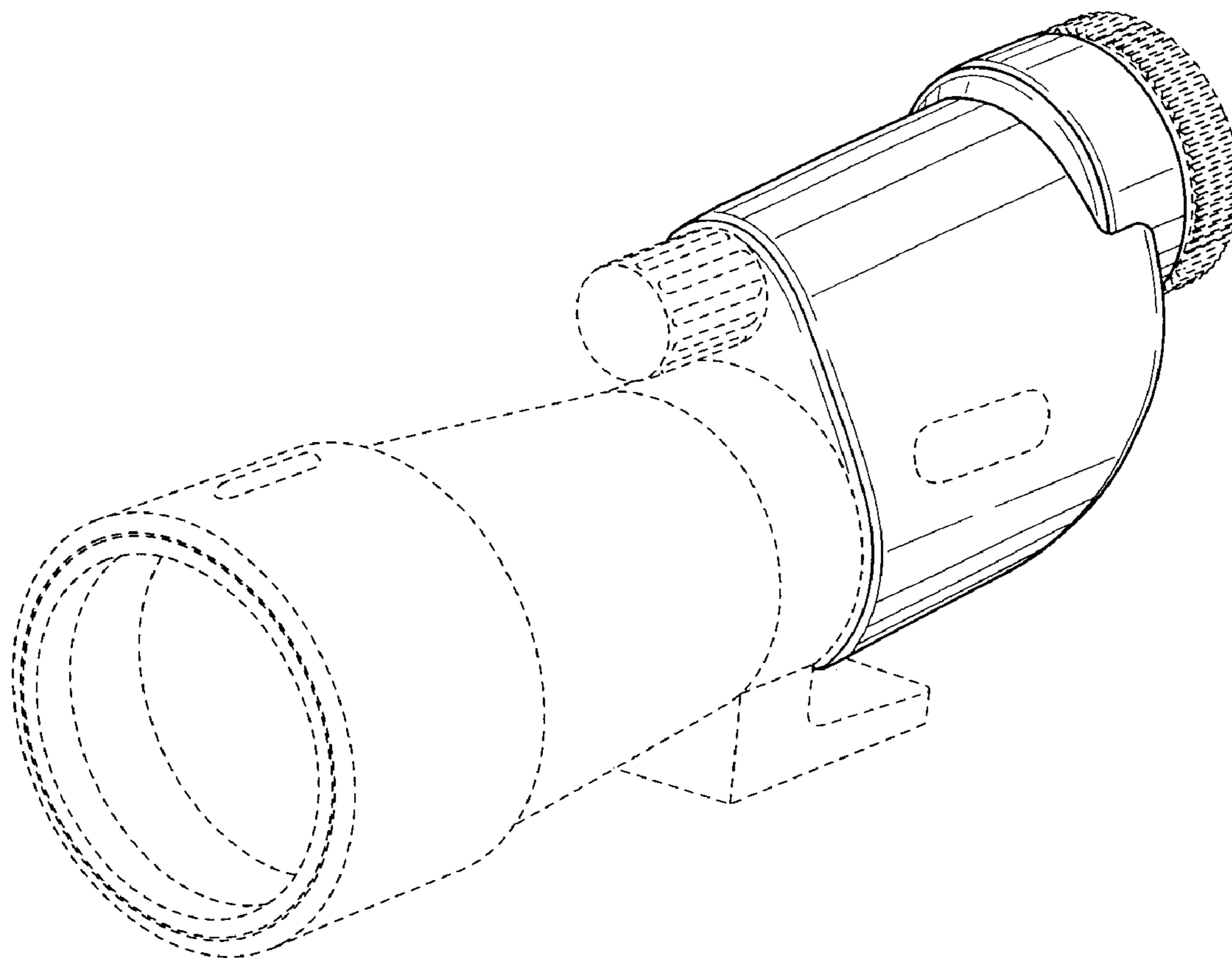
FIG. 1 is a perspective view of the top, front and right side of a spotting scope showing my new design; FIG. 2 is a perspective view top, rear and left side thereof; FIG. 3 is a right side elevational view thereof; FIG. 4 is a left side elevational view thereof; FIG. 5 is a rear elevational view thereof; FIG. 6 is a front elevational view thereof; FIG. 7 is a top plan view thereof; and, FIG. 8 is a bottom plan view thereof.

The elements shown in broken lines are for illustrative purposes only and form no part of the claimed design.

**1 Claim, 5 Drawing Sheets**



*FIG. 1*



*FIG. 2*

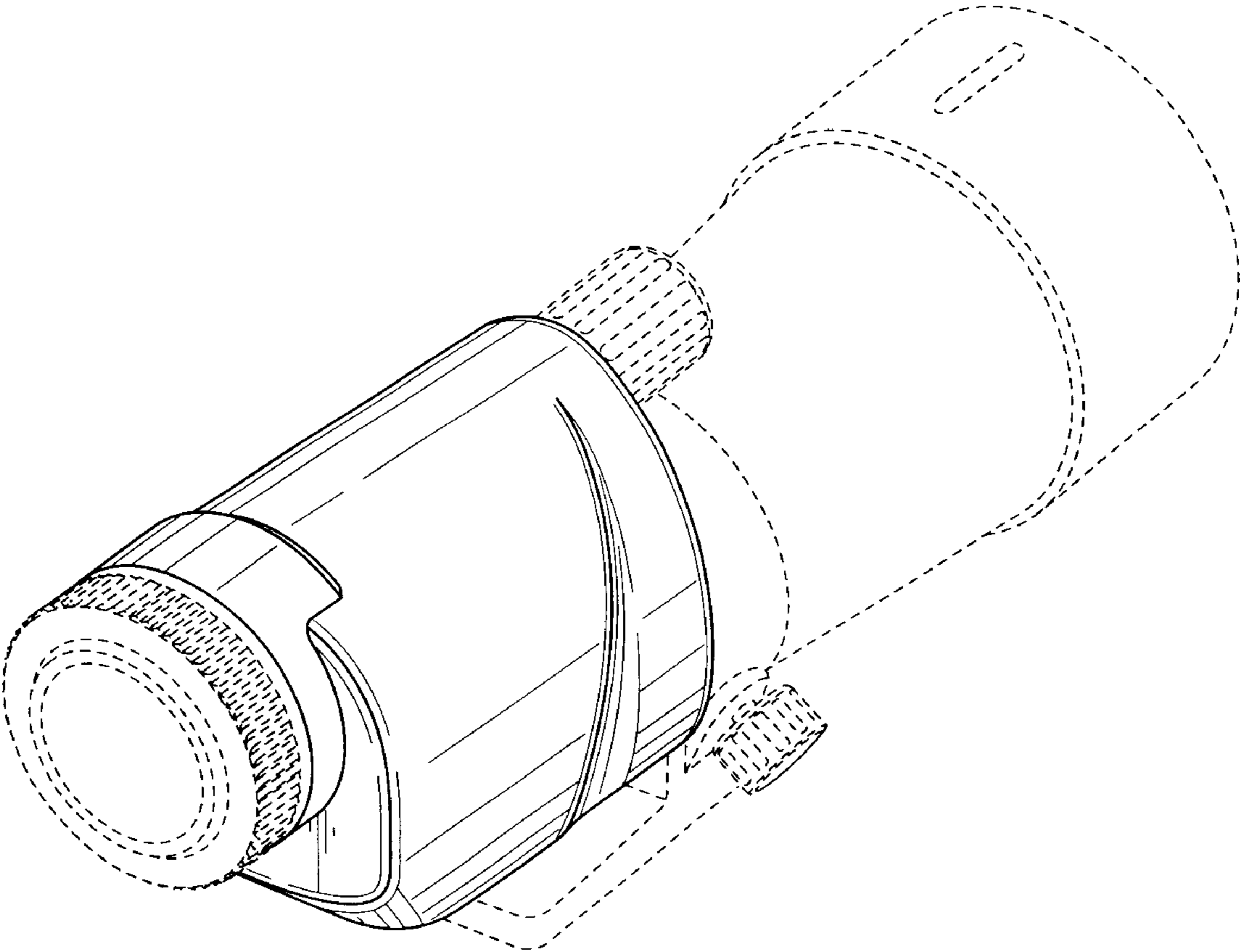


FIG. 3

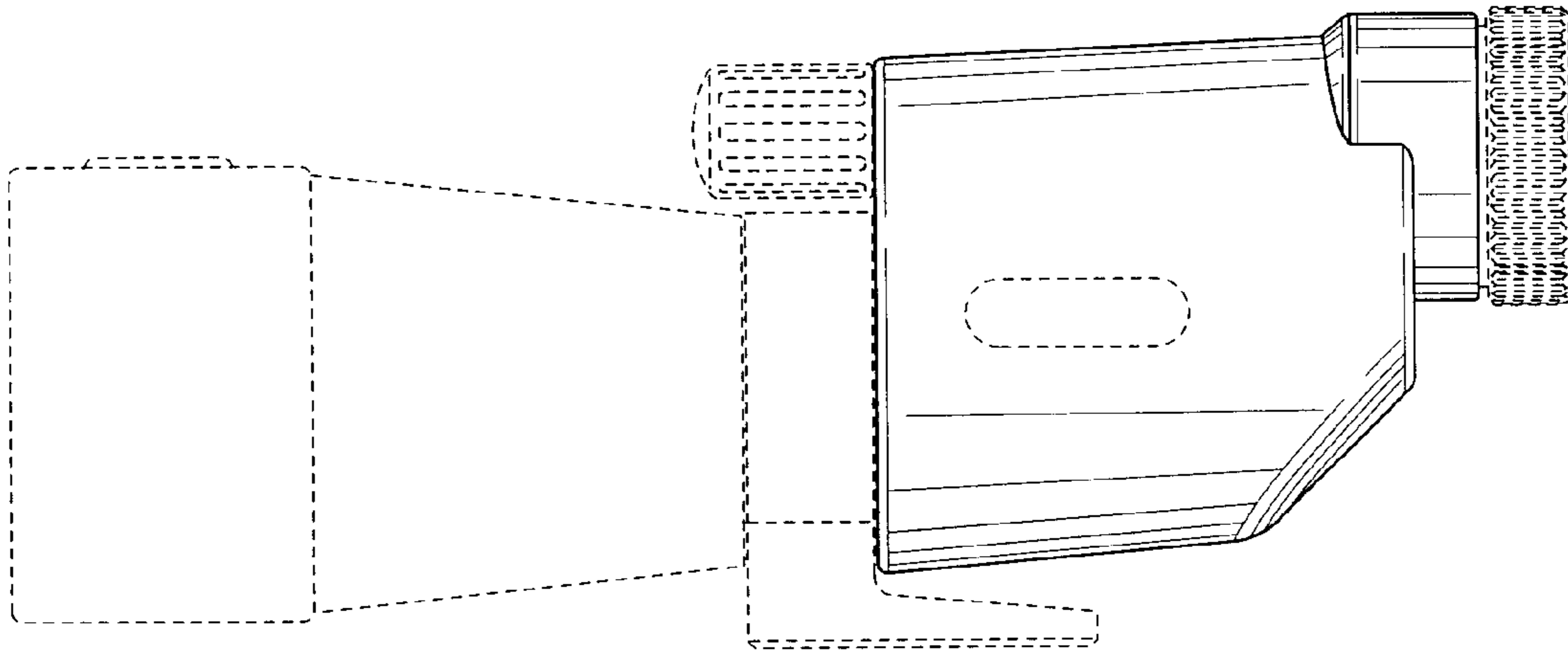
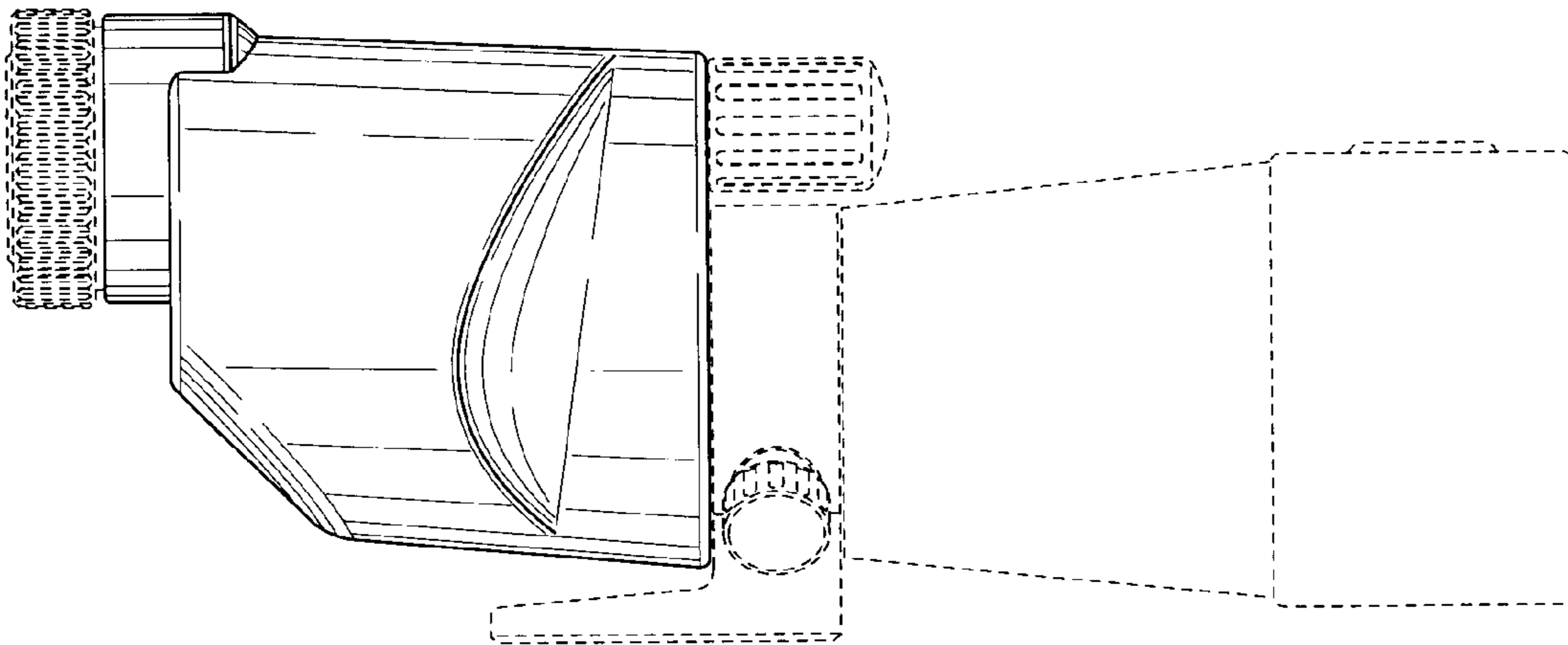
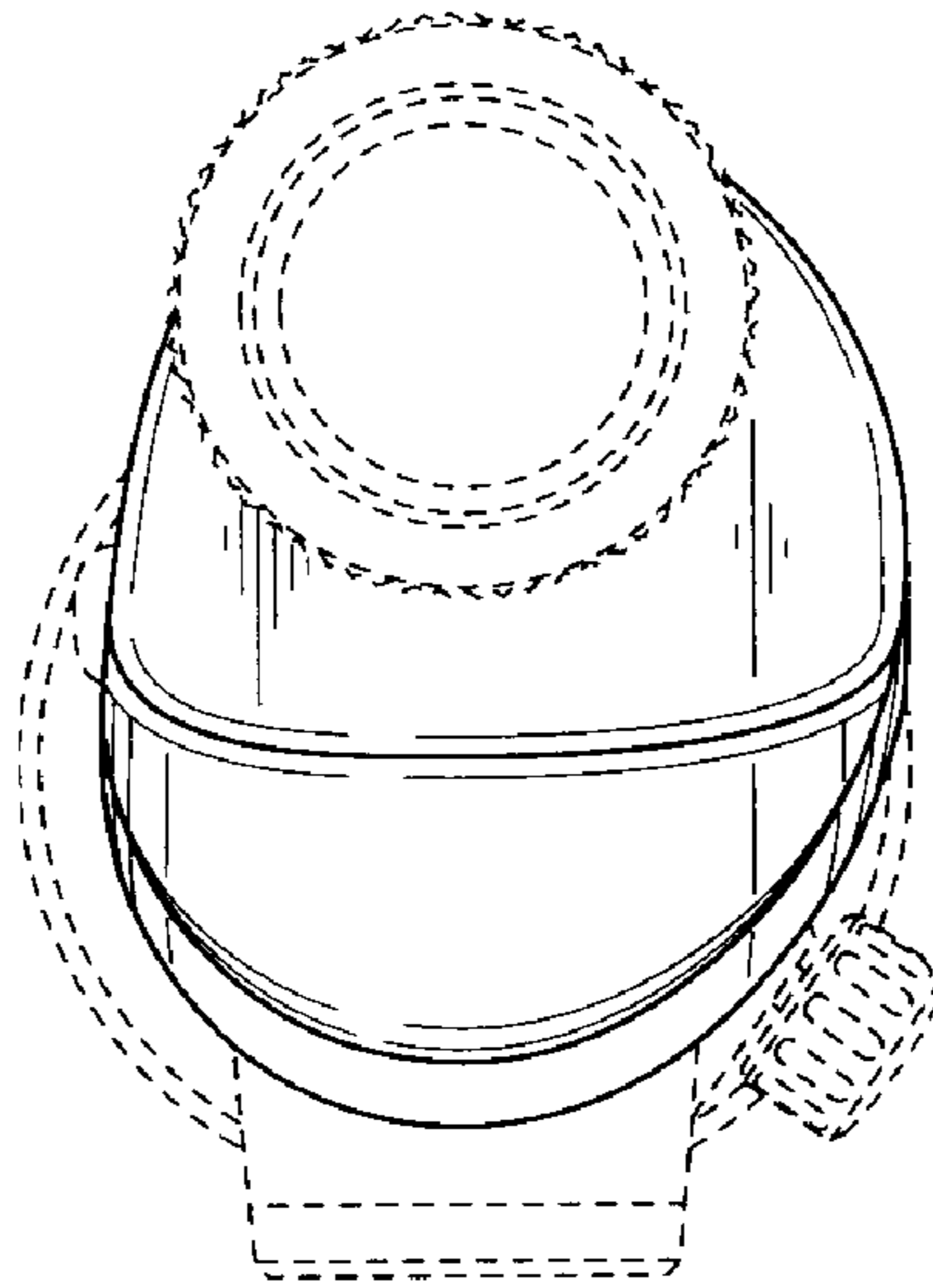


FIG. 4



*FIG. 5*



*FIG. 6*

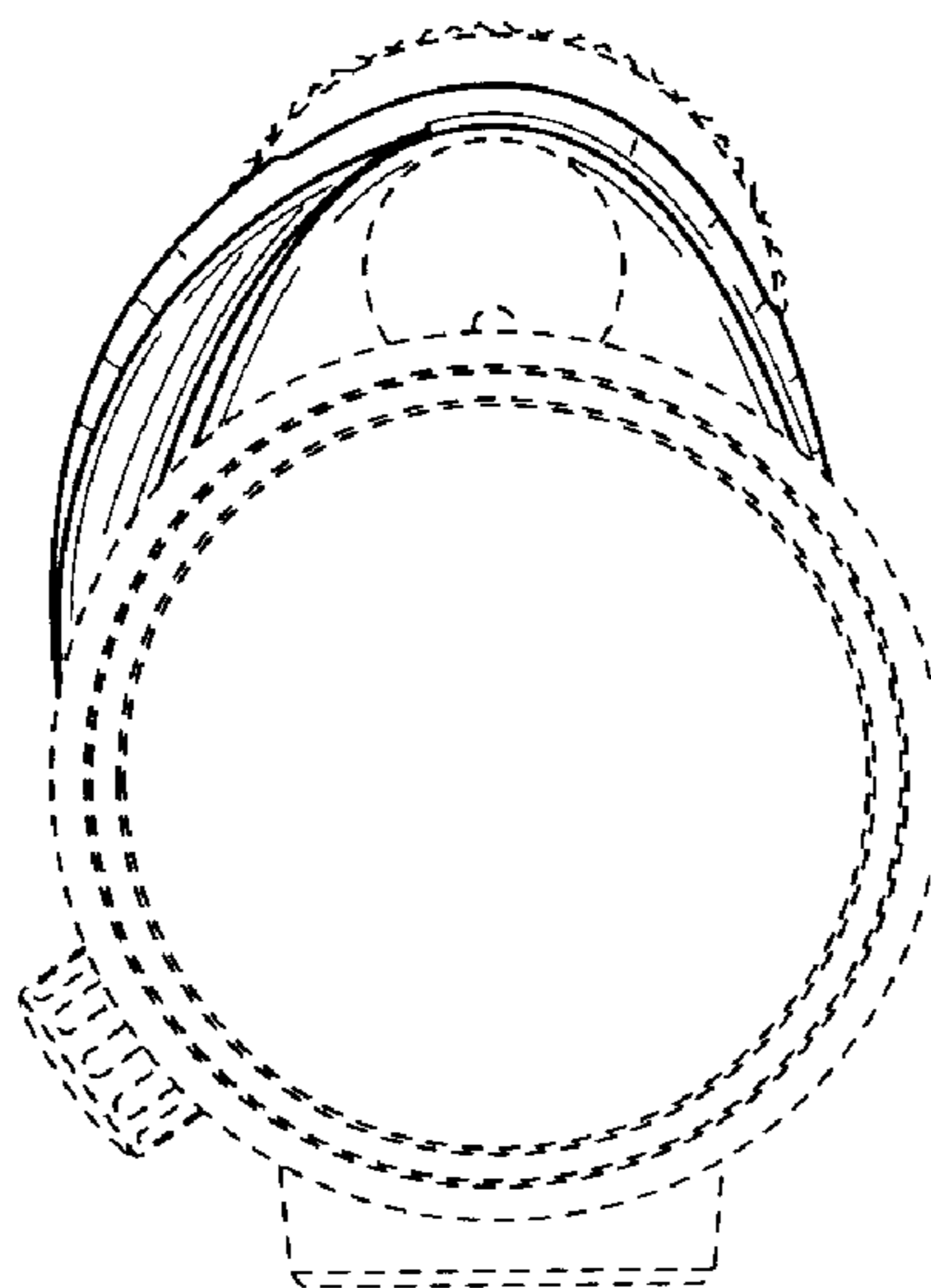


FIG. 7

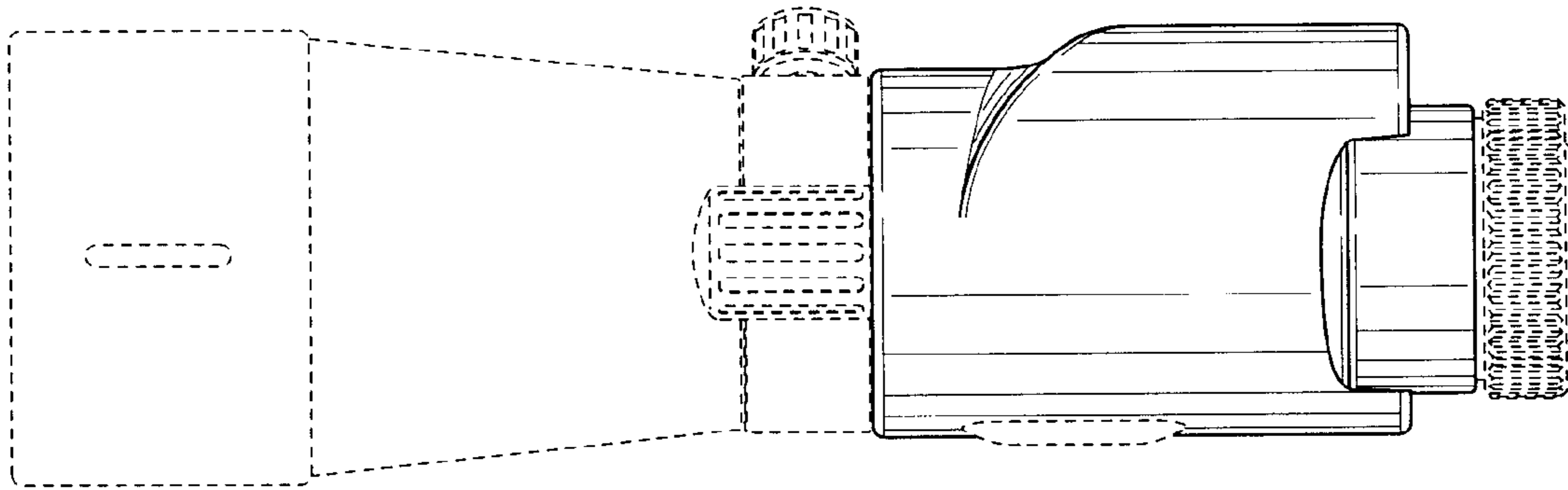


FIG. 8

