



US00D528572S

(12) **United States Design Patent**
Sakamoto et al.

(10) **Patent No.:** **US D528,572 S**

(45) **Date of Patent:** **** Sep. 19, 2006**

(54) **MOVING SIDE BUSH FOR A DISC-MOLDING DIE**

5,096,410 A * 3/1992 Loulourgas 425/547
5,180,594 A * 1/1993 Trakas 425/547
5,925,386 A * 7/1999 Moberg 425/547

(75) Inventors: **Yasuyoshi Sakamoto**, Kamagaya (JP);
Katsuyuki Hiki, Narashino (JP)

* cited by examiner

(73) Assignee: **Seikoh Giken Co., Ltd.**, Chiba (JP)

Primary Examiner—Antoine D. Davis

Assistant Examiner—Patricia Palasik

(**) Term: **14 Years**

(74) *Attorney, Agent, or Firm*—Olson & Hierl, Ltd.

(21) Appl. No.: **29/217,468**

(57) **CLAIM**

(22) Filed: **Nov. 17, 2004**

The ornamental design for a moving side bush for a disc-molding die, as shown and described.

(51) **LOC (8) Cl.** **15-09**

DESCRIPTION

(52) **U.S. Cl.** **D15/135**

(58) **Field of Classification Search** D15/135-139;
425/226, 547, 574; 264/328.11, 39
See application file for complete search history.

FIG. 1 is a perspective view of a moving side bush for a disc-molding die;

FIG. 2 is a front view thereof;

FIG. 3 is a top plan view thereof;

FIG. 4 is a bottom view thereof;

FIG. 5 is a referential bottom view thereof; and,

FIG. 6 is a sectional view taken along line 6-6 thereof.

(56) **References Cited**

U.S. PATENT DOCUMENTS

D277,760 S * 2/1985 Wilson et al. D15/138

1 Claim, 3 Drawing Sheets

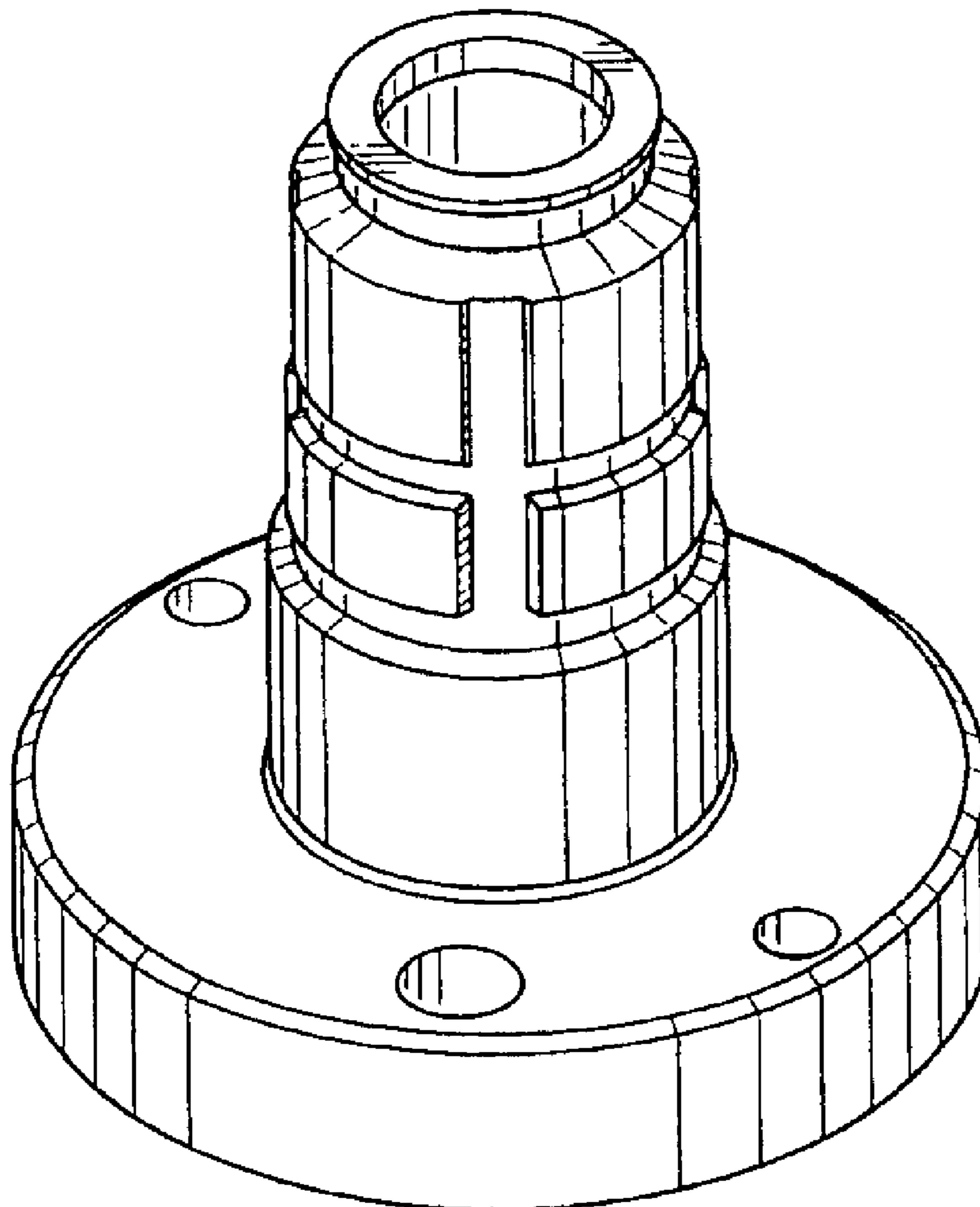


FIG. 1

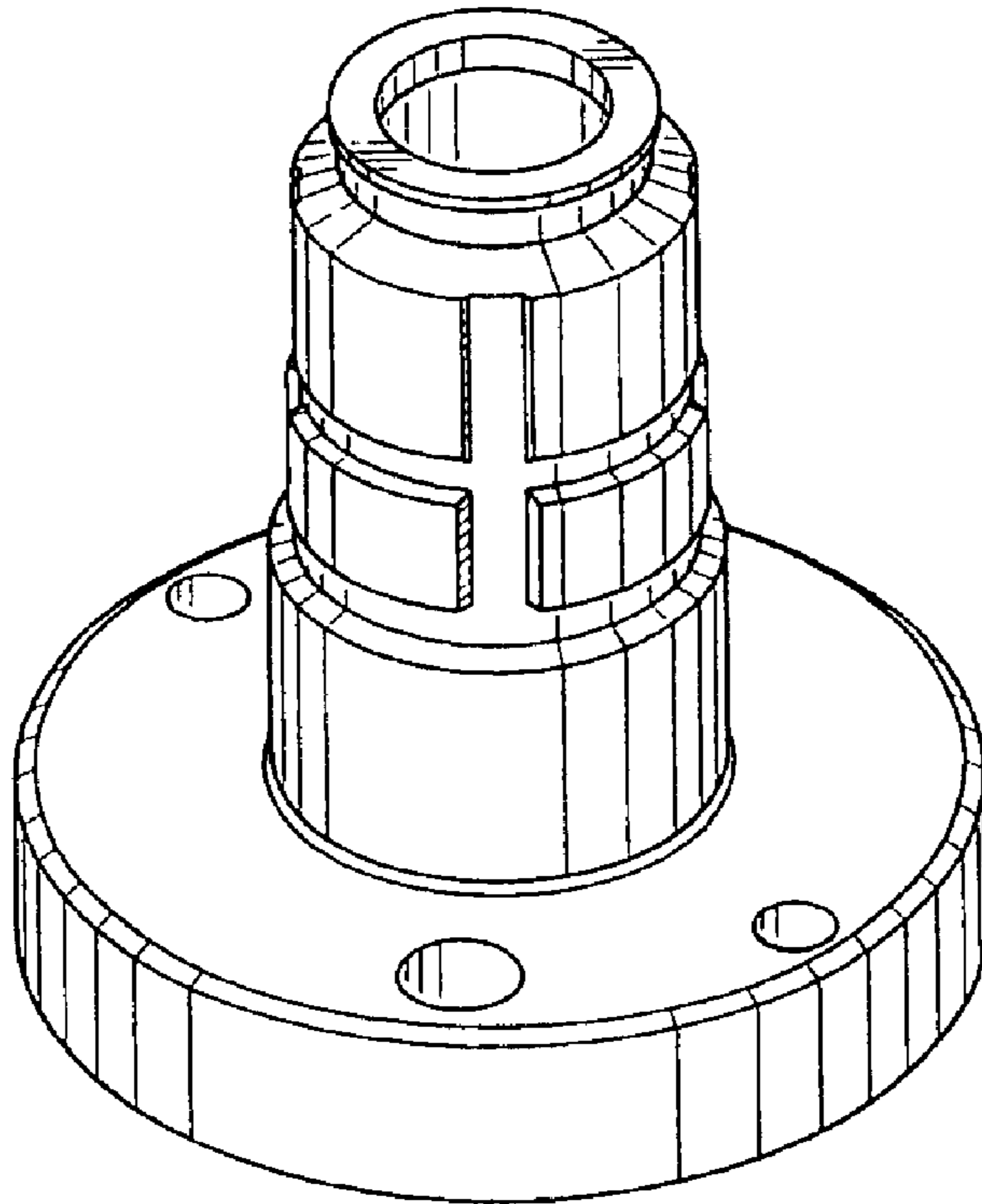


FIG. 2

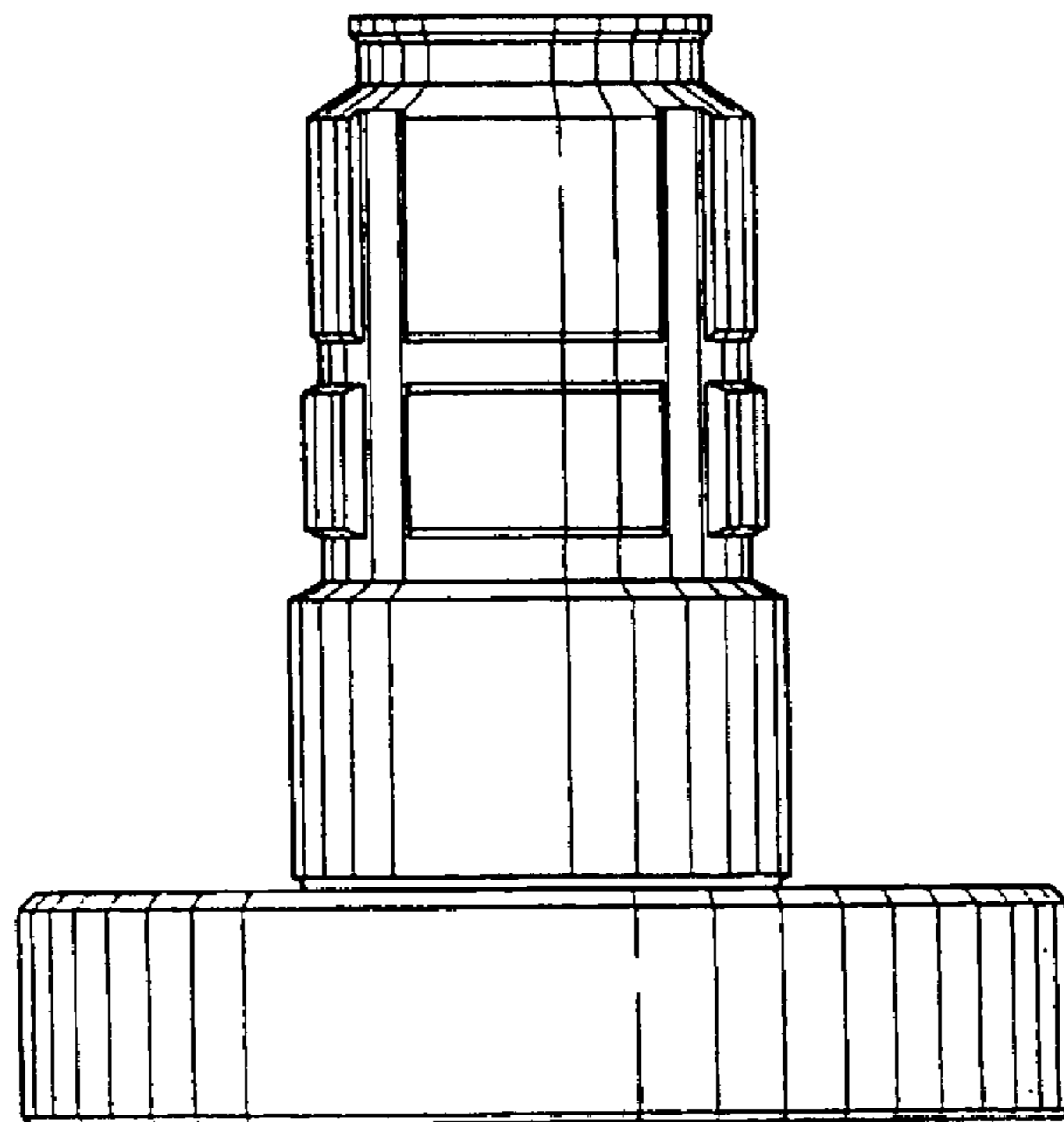


FIG.3

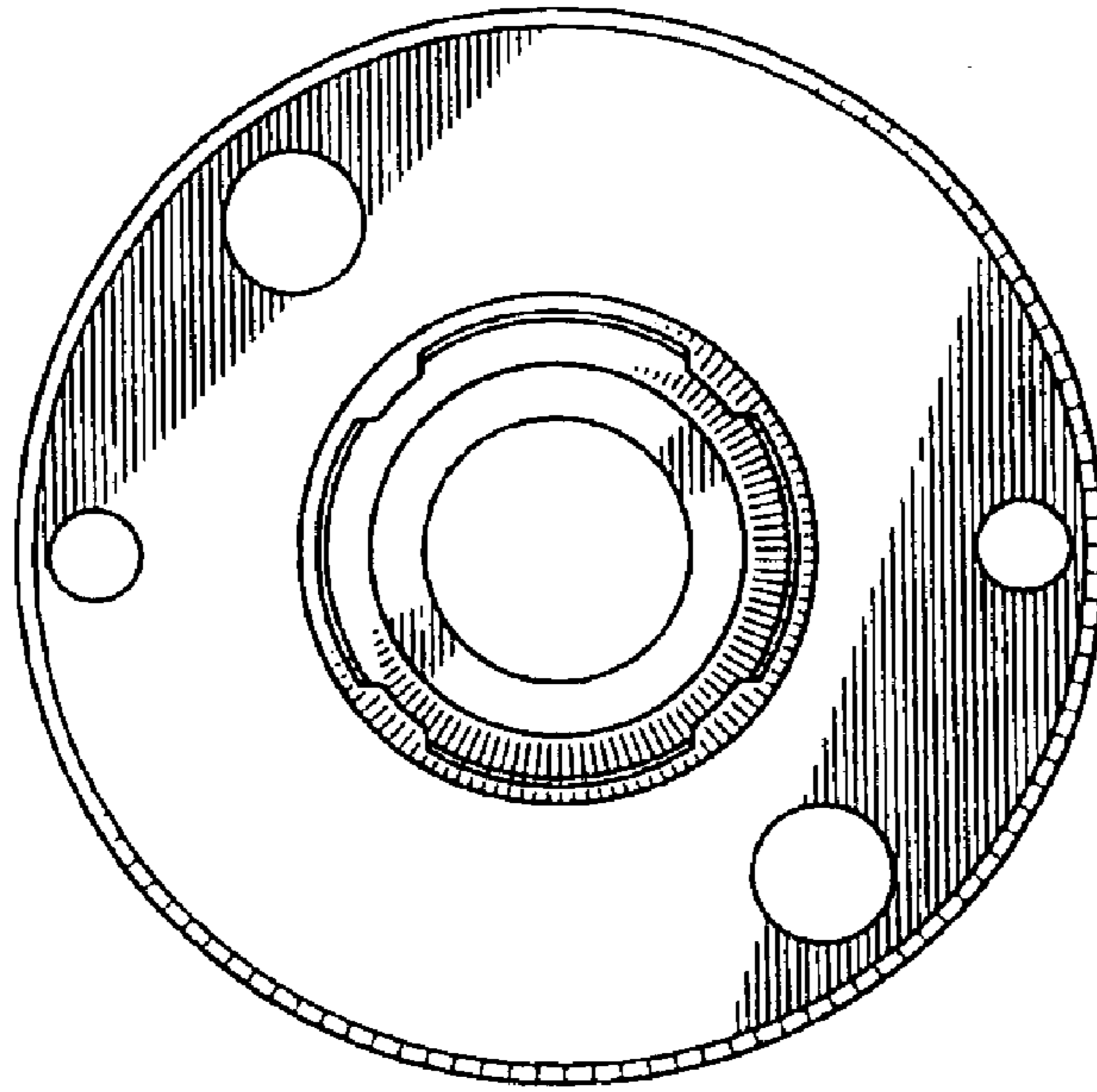


FIG.4

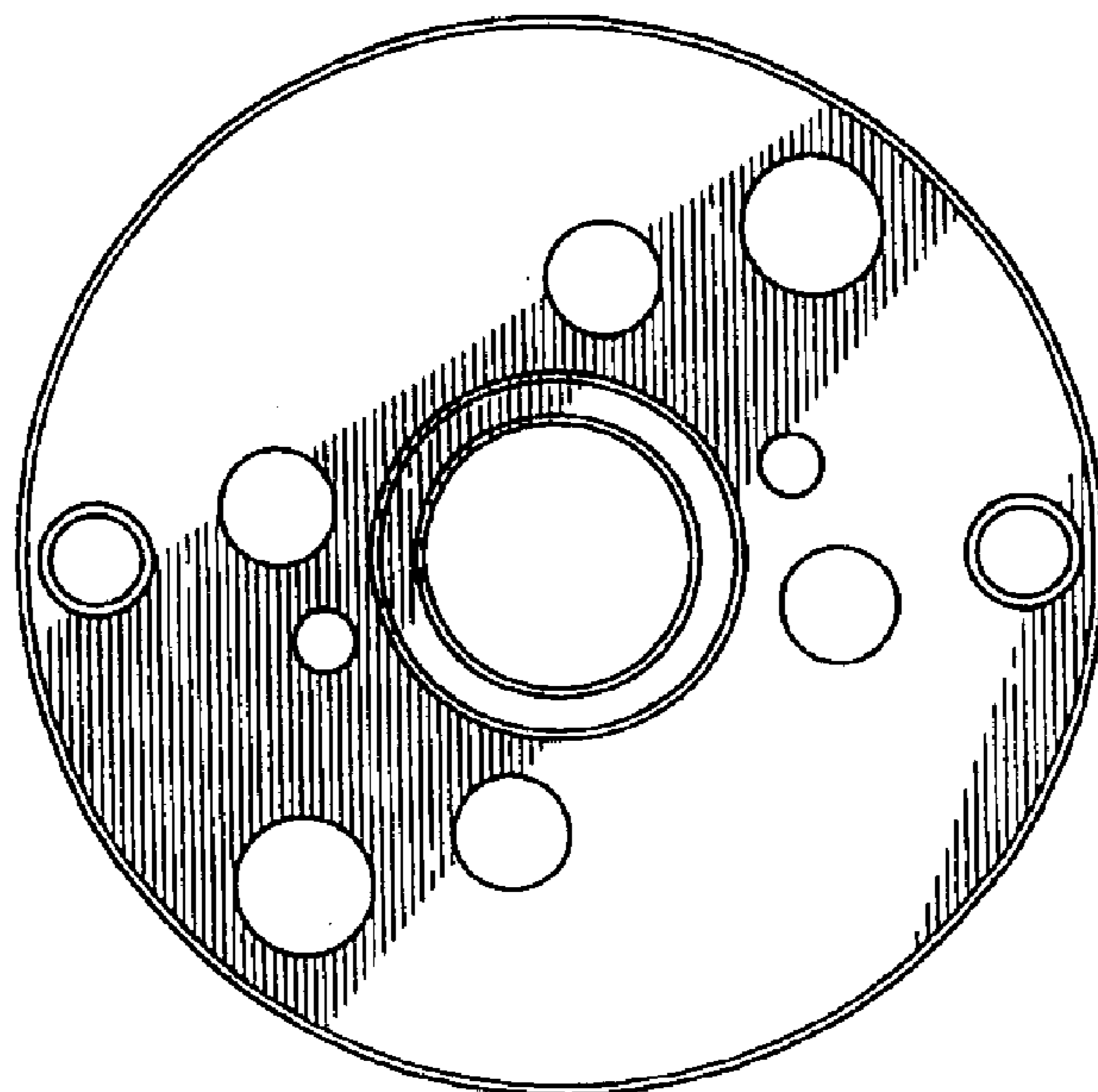


FIG.5

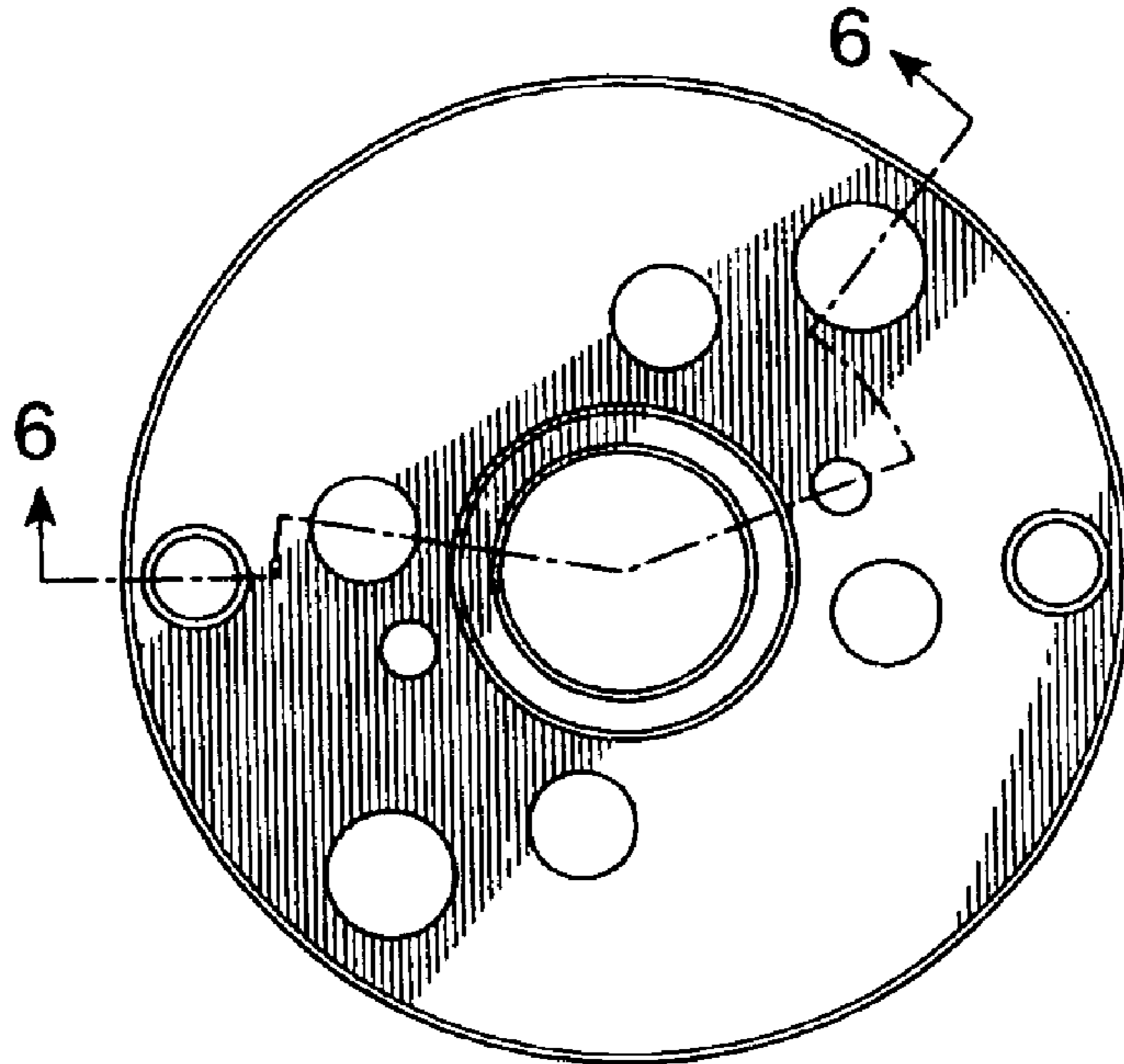


FIG.6

