

US00D528571S

(12) **United States Design Patent** (10) **Patent No.:** **US D528,571 S**  
**Welsh** (45) **Date of Patent:** **\*\* Sep. 19, 2006**

(54) **TABLE SAW**

(75) Inventor: **Robert P. Welsh**, Hunt Valley, MD (US)

(73) Assignee: **Black & Decker Inc.**, Newark, DE (US)

(\*\*) Term: **14 Years**

(21) Appl. No.: **29/197,152**

(22) Filed: **Jan. 9, 2004**

(51) **LOC (8) Cl.** ..... **15-09**

(52) **U.S. Cl.** ..... **D15/133**

(58) **Field of Classification Search** ..... 83/455-456, 83/471, 471.3, 486.1, 490, 520, 534, 581, 83/640, 644; D15/133

See application file for complete search history.

(56) **References Cited**

**U.S. PATENT DOCUMENTS**

D373,129 S	*	8/1996	Wixey et al. ....	D15/133
D374,676 S	*	10/1996	Brickner et al. ....	D15/133
D418,525 S	*	1/2000	Watson et al. ....	D15/133
D418,846 S	*	1/2000	Chen .....	D15/133

\* cited by examiner

*Primary Examiner*—Antoine D. Davis

(74) *Attorney, Agent, or Firm*—Adan Ayala

(57) **CLAIM**

The ornamental design for a table saw, as shown and described.

**DESCRIPTION**

FIG. 1 is a perspective view of a first embodiment of a table saw according to the invention.

FIG. 2 is a front elevational view of the first embodiment.

FIG. 3 is a rear elevational view of the first embodiment.

FIG. 4 is a left side elevational view of the first embodiment.

FIG. 5 is a right side elevational view of the first embodiment.

FIG. 6 is a top plan view of the first embodiment.

FIG. 7 is a bottom plan view of the first embodiment.

FIG. 8 is a perspective view of a second embodiment of a table saw according to the invention.

FIG. 9 is a front elevational view of the second embodiment.

FIG. 10 is a rear elevational view of the second embodiment.

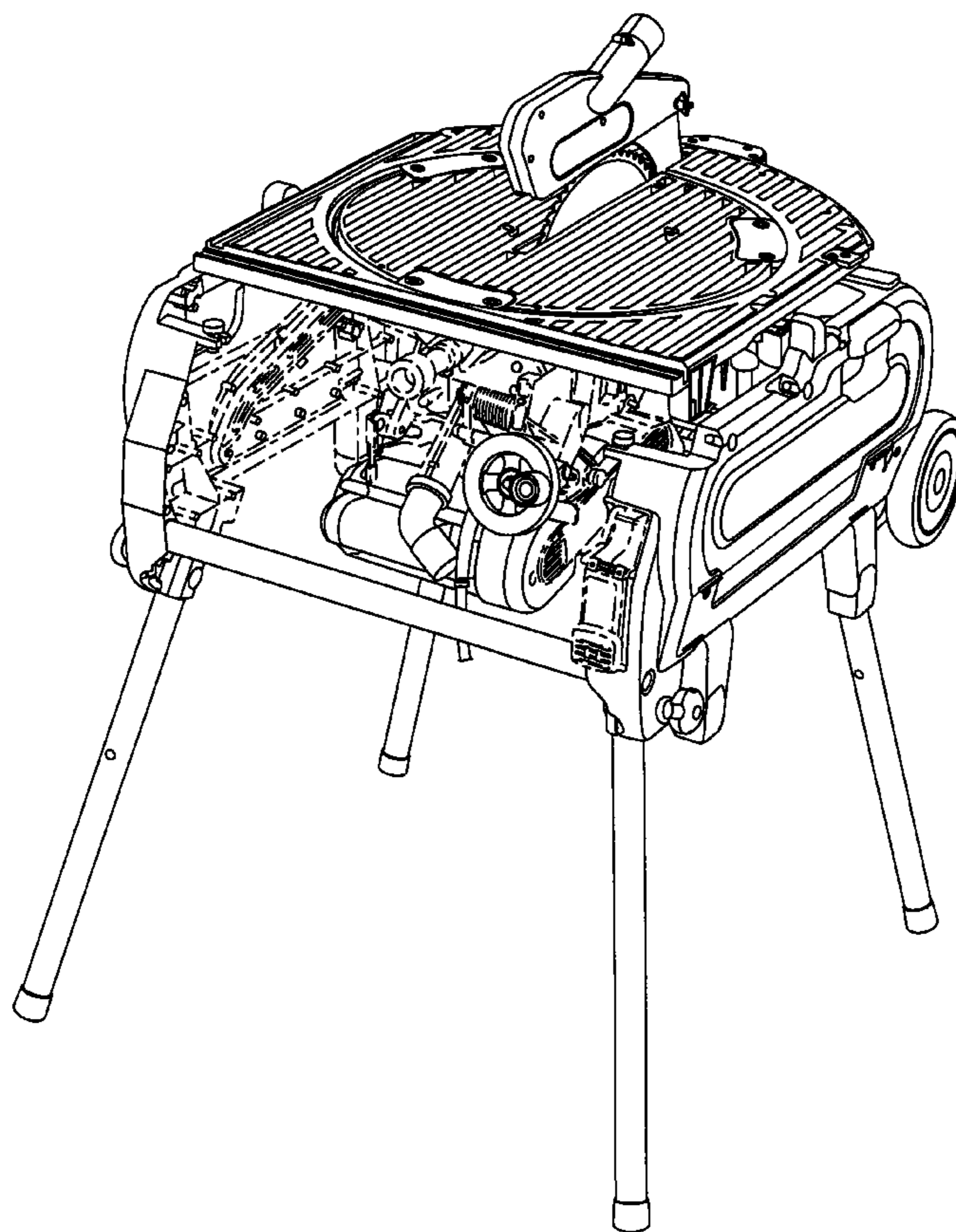
FIG. 11 is a left side elevational view of the second embodiment.

FIG. 12 is a right side elevational view of the second embodiment.

FIG. 13 is a top plan view of the second embodiment; and,

FIG. 14 is a bottom plan view of the second embodiment.

**1 Claim, 14 Drawing Sheets**



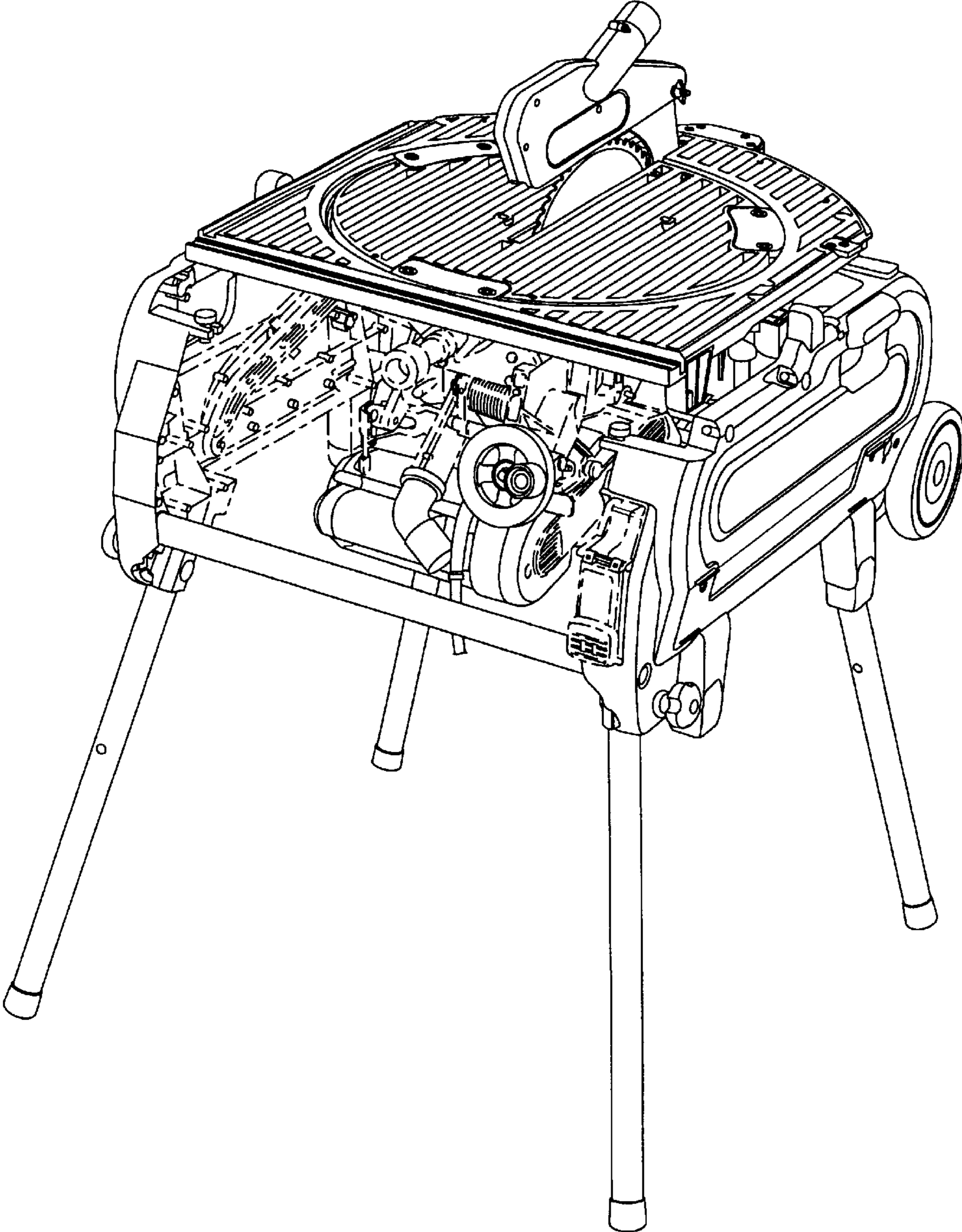


FIG. 1

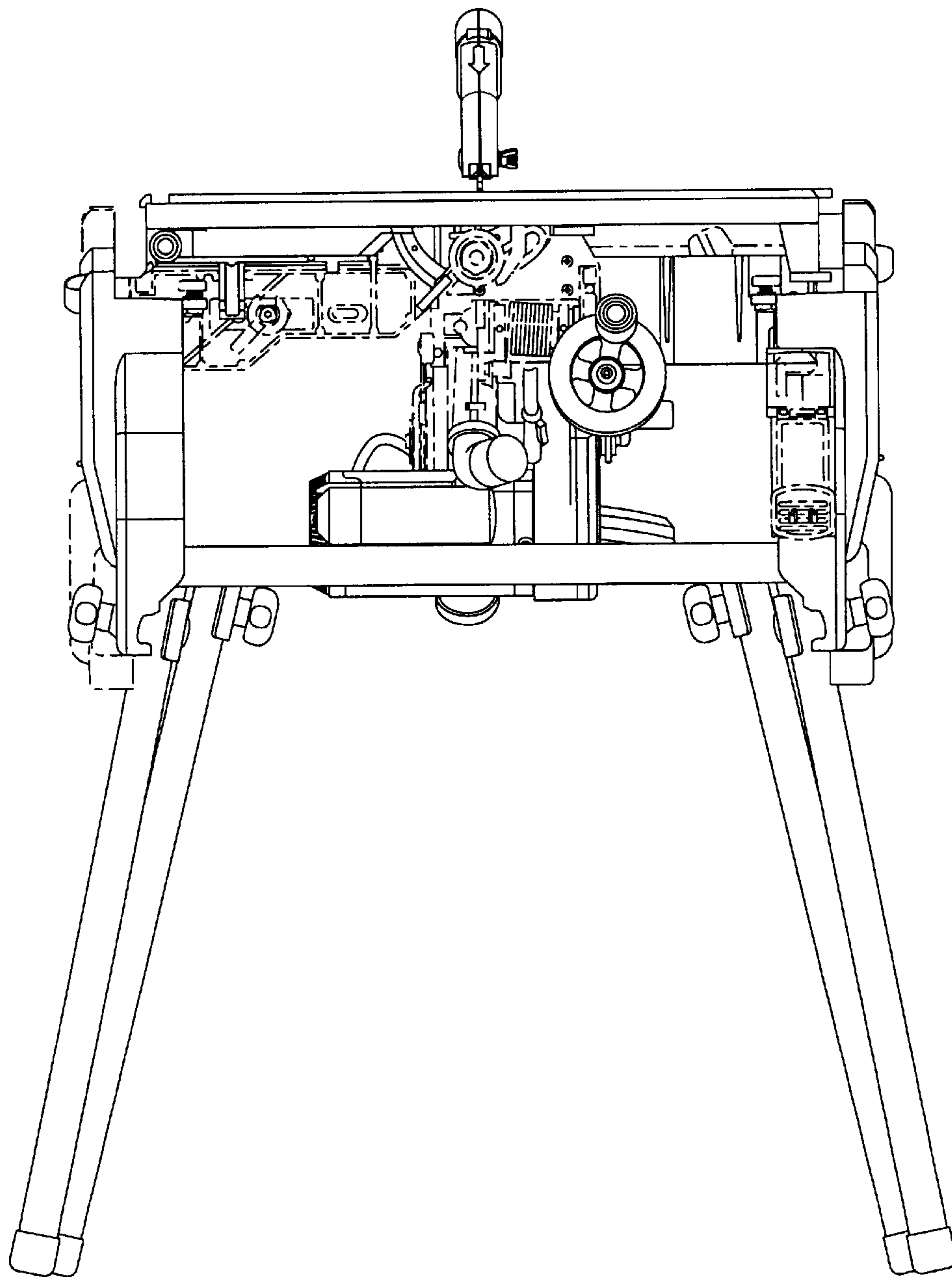


FIG. 2

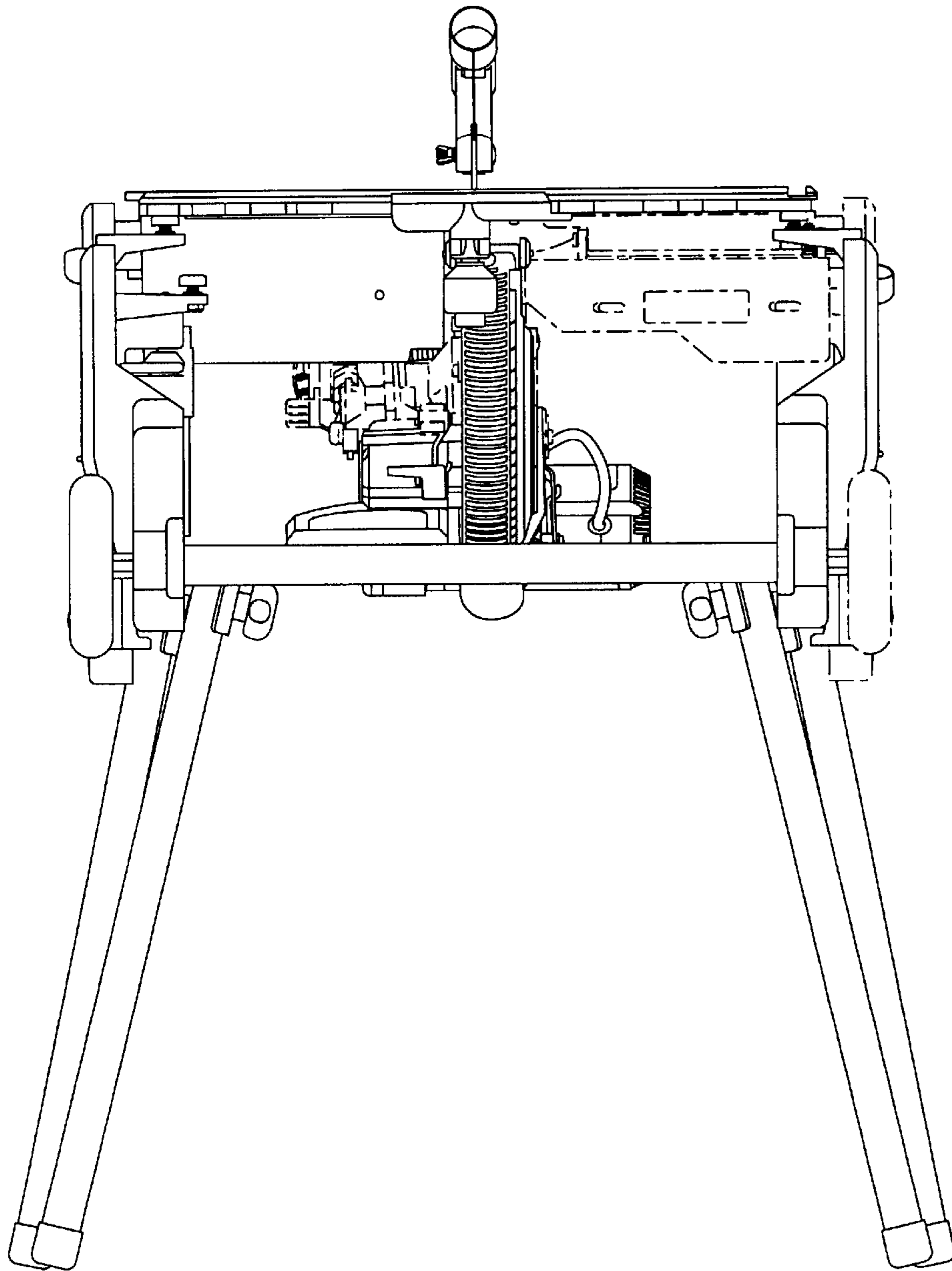


FIG. 3

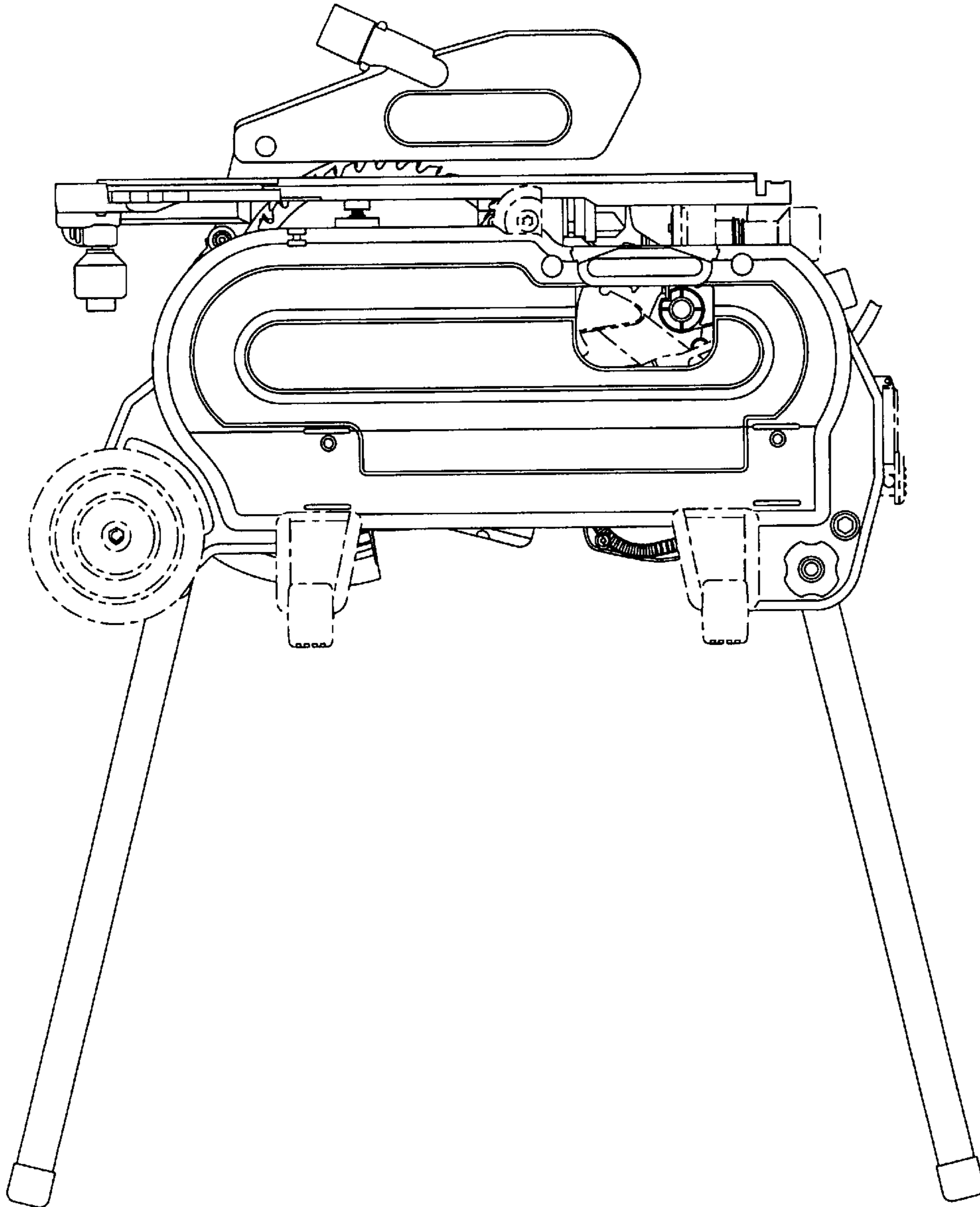


FIG. 4

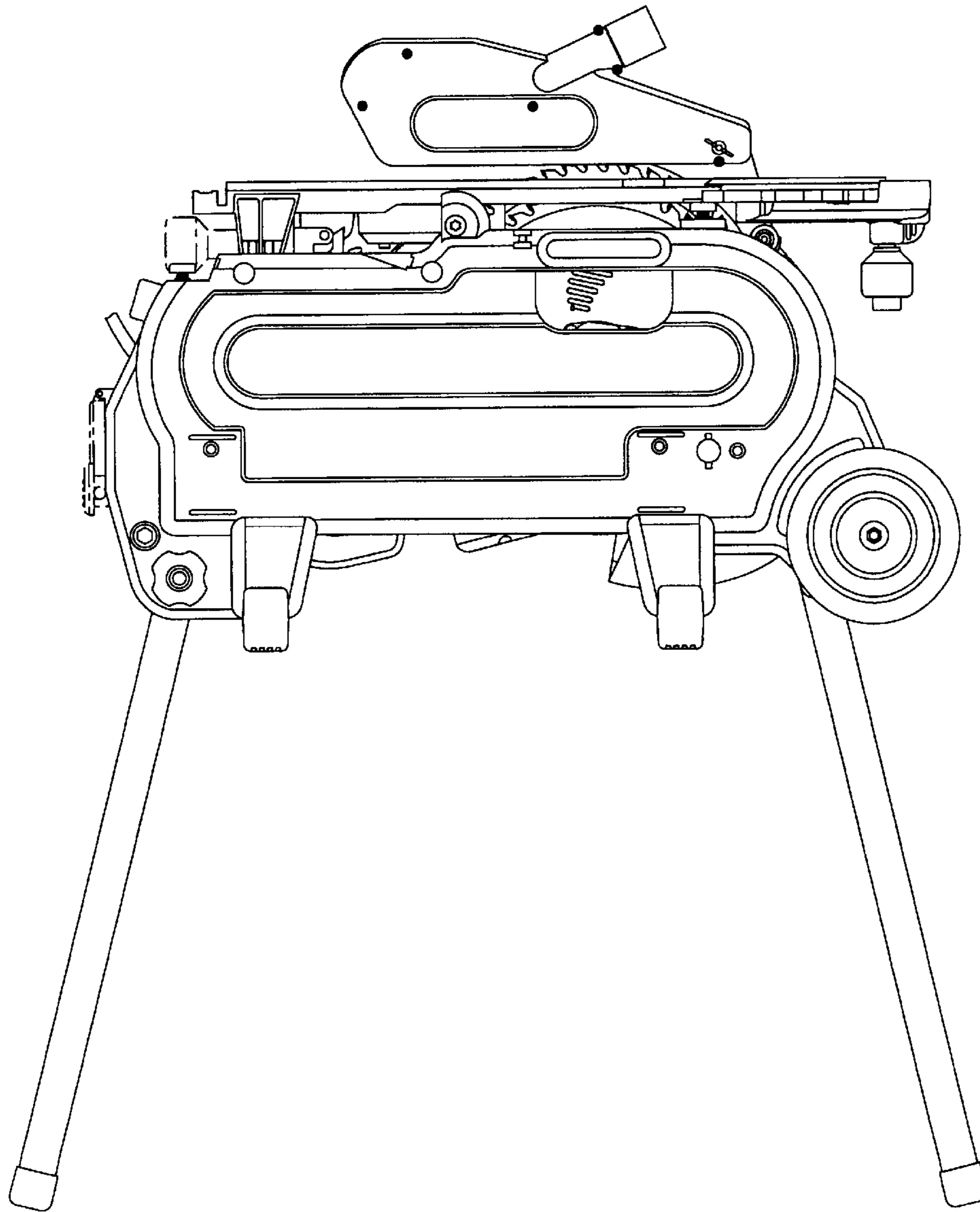


FIG. 5

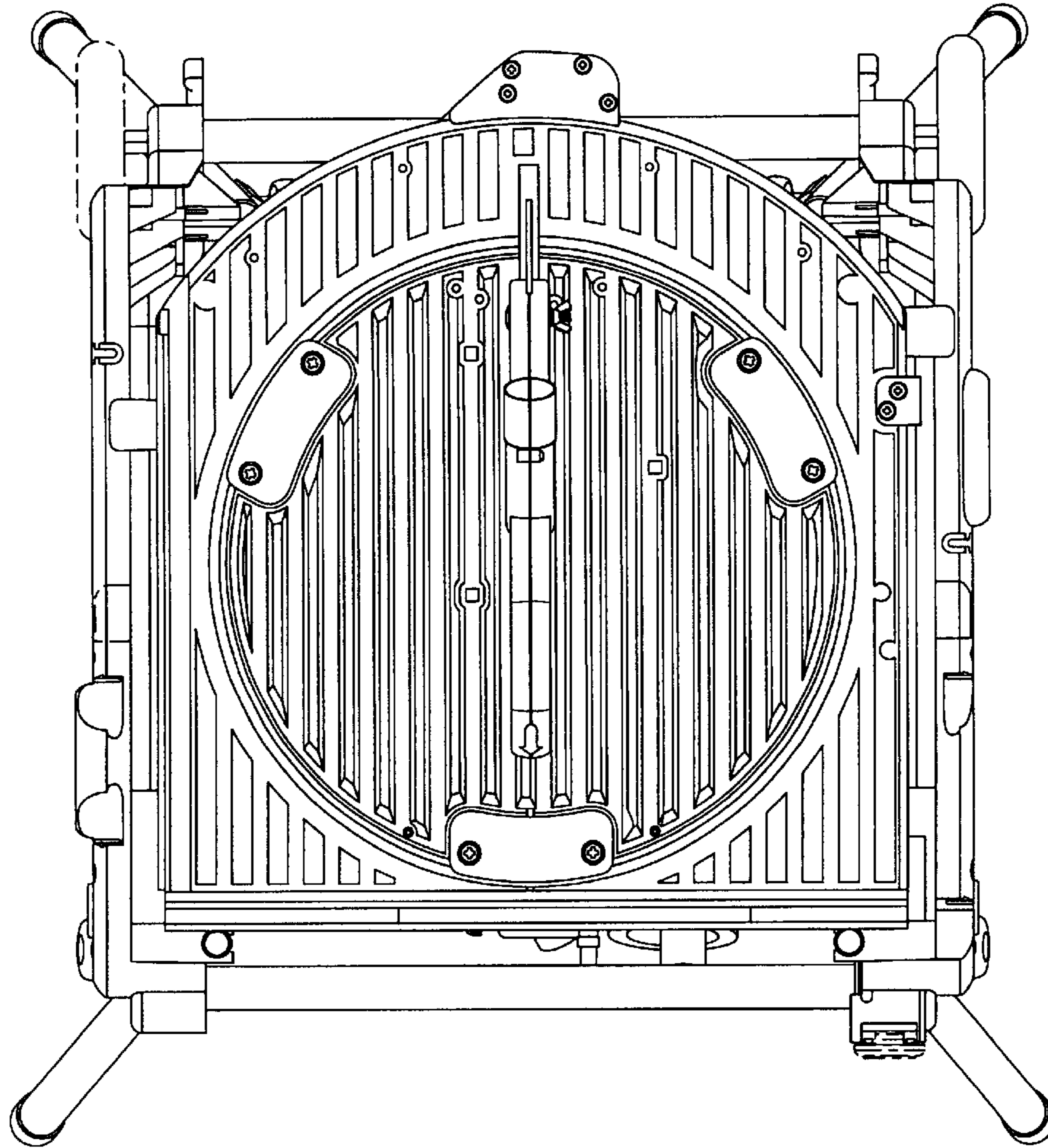


FIG. 6

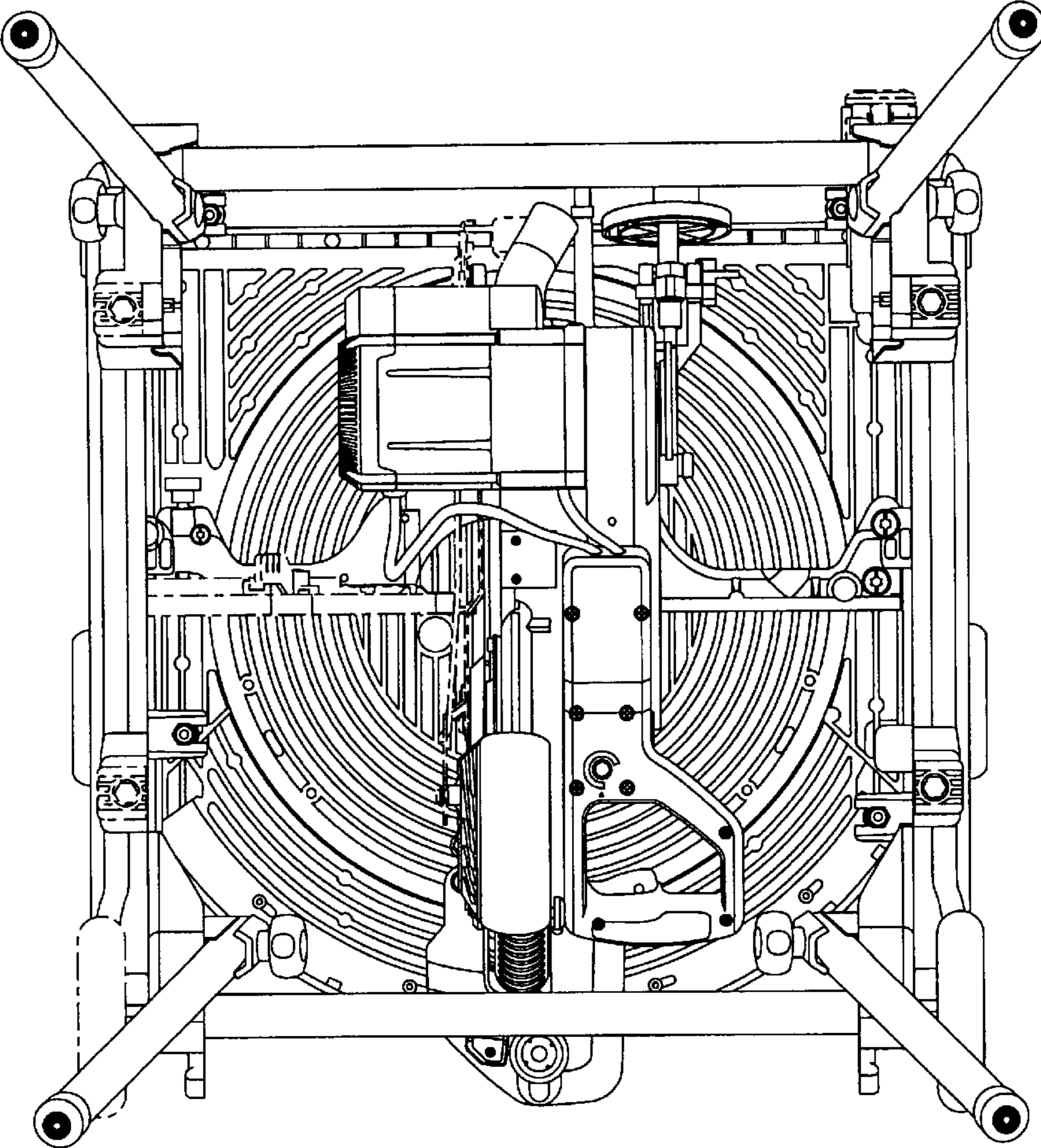


FIG. 7



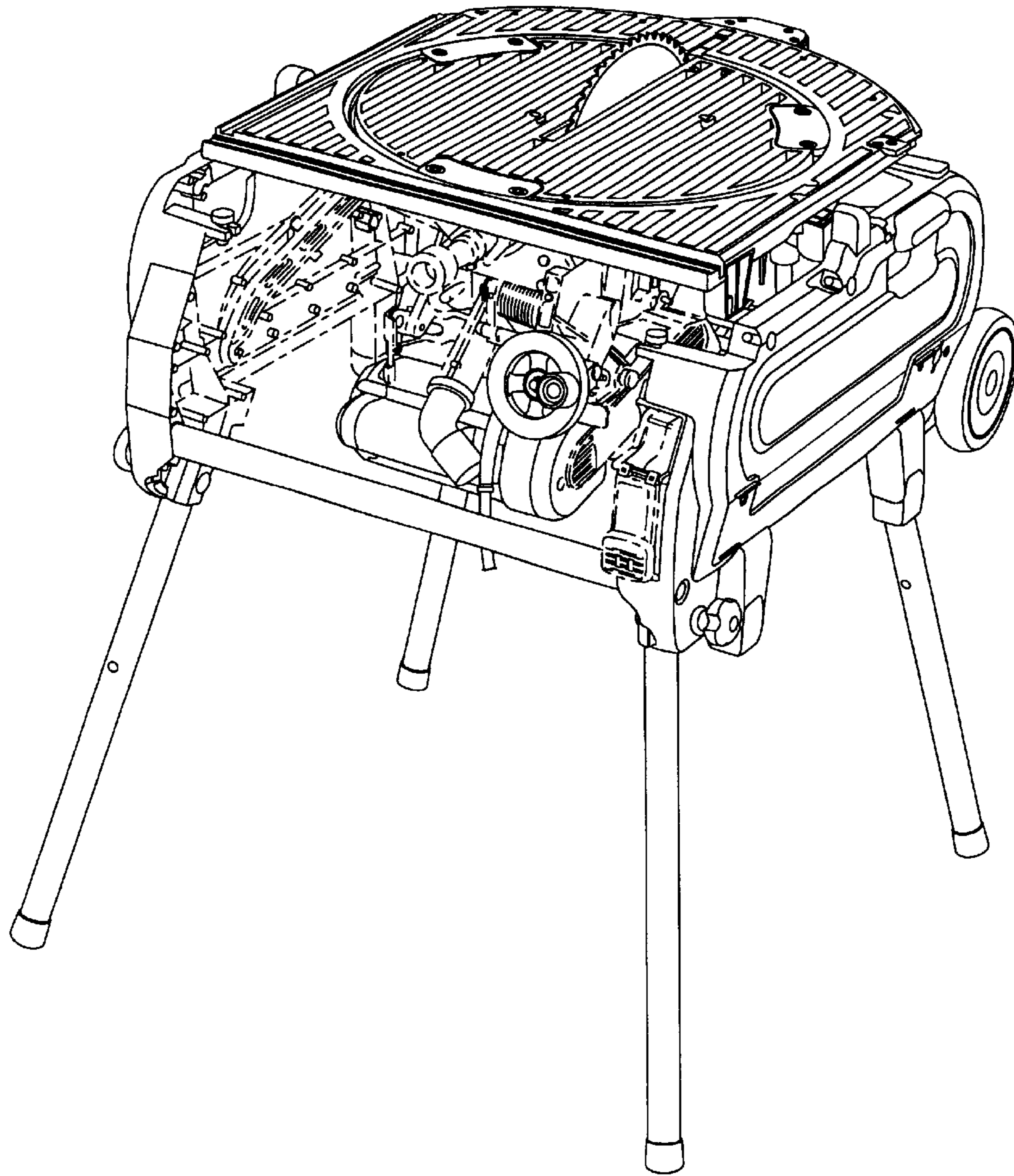


FIG. 8

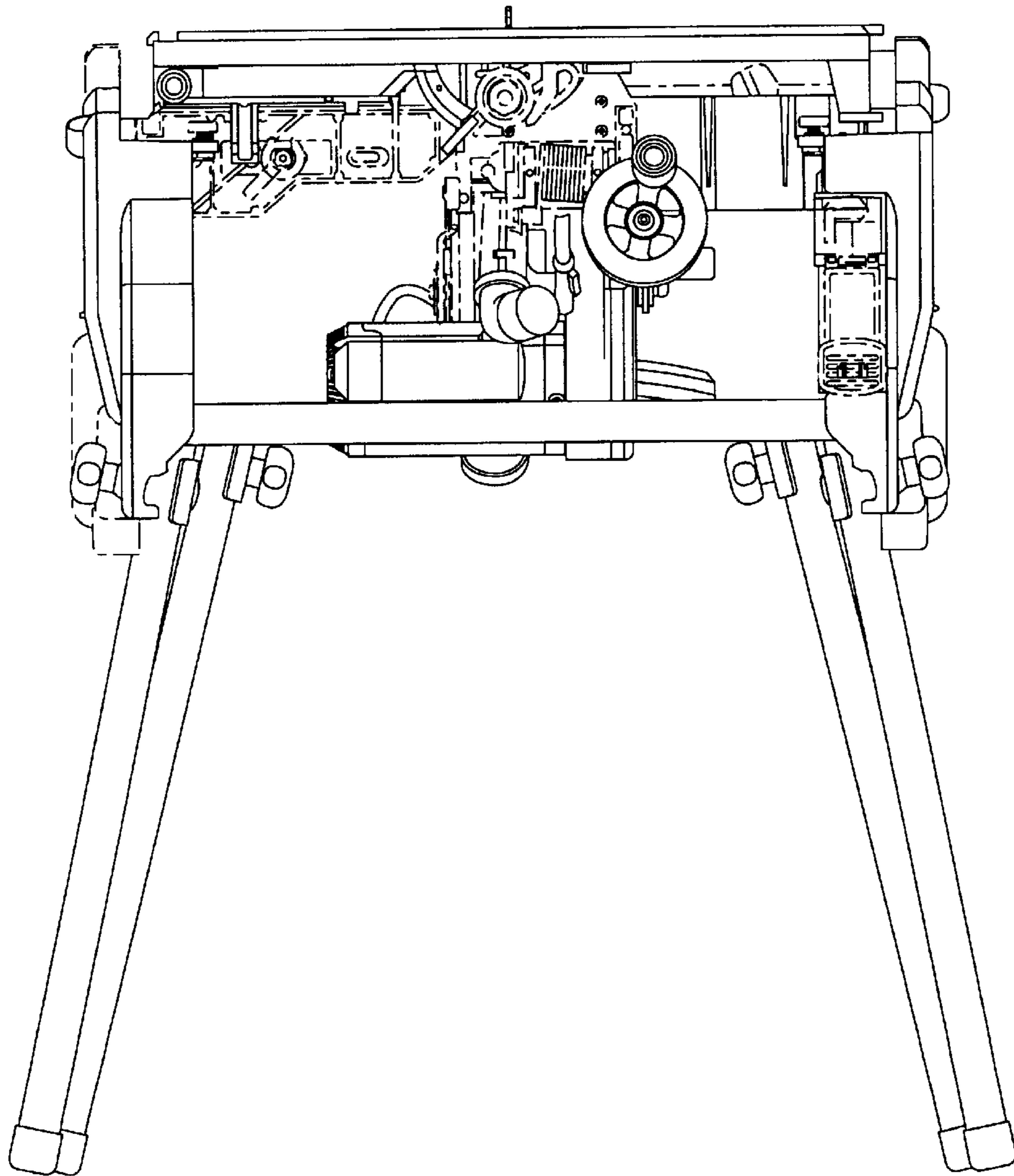


FIG. 9

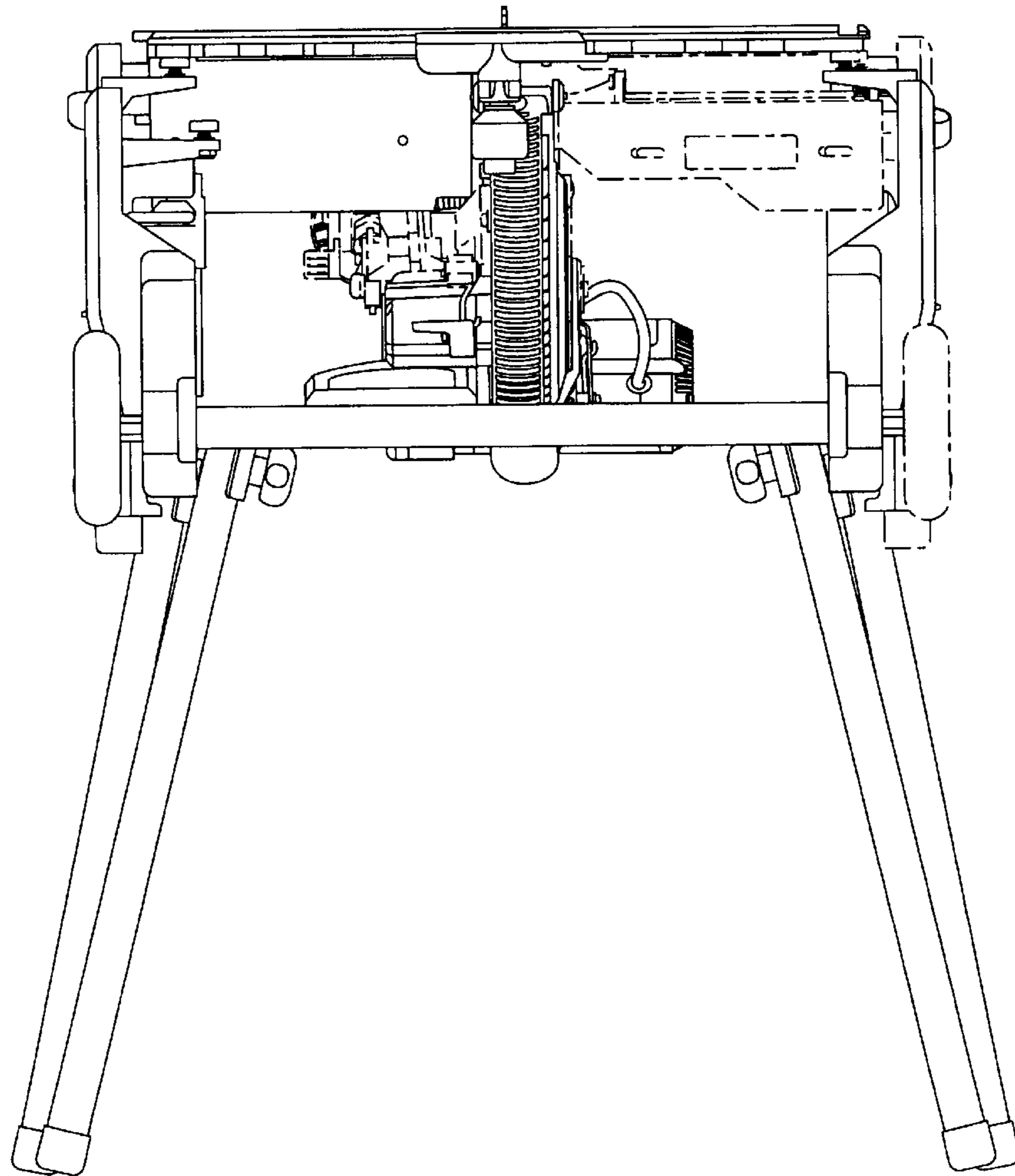


FIG. 10

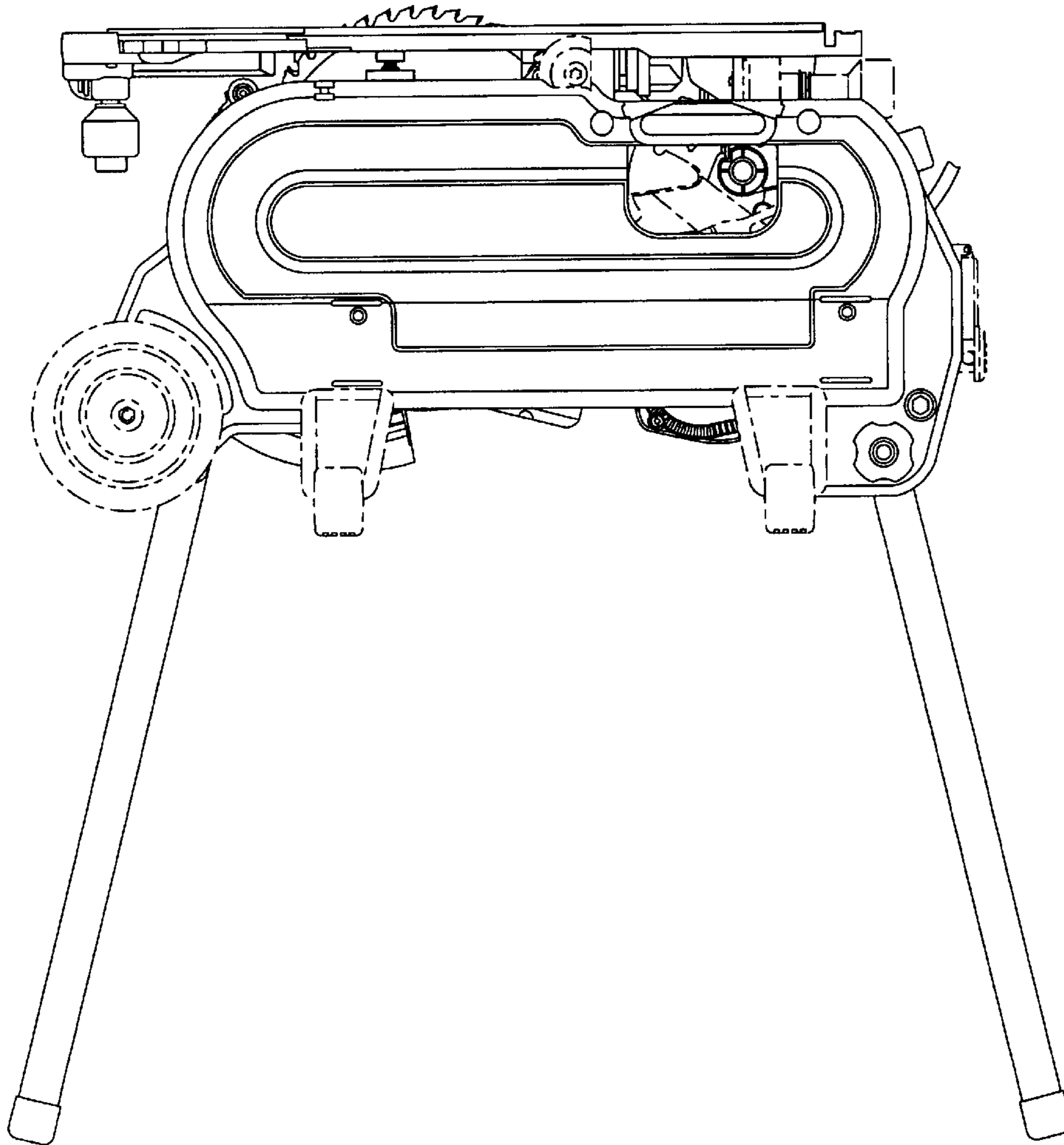


FIG. 11

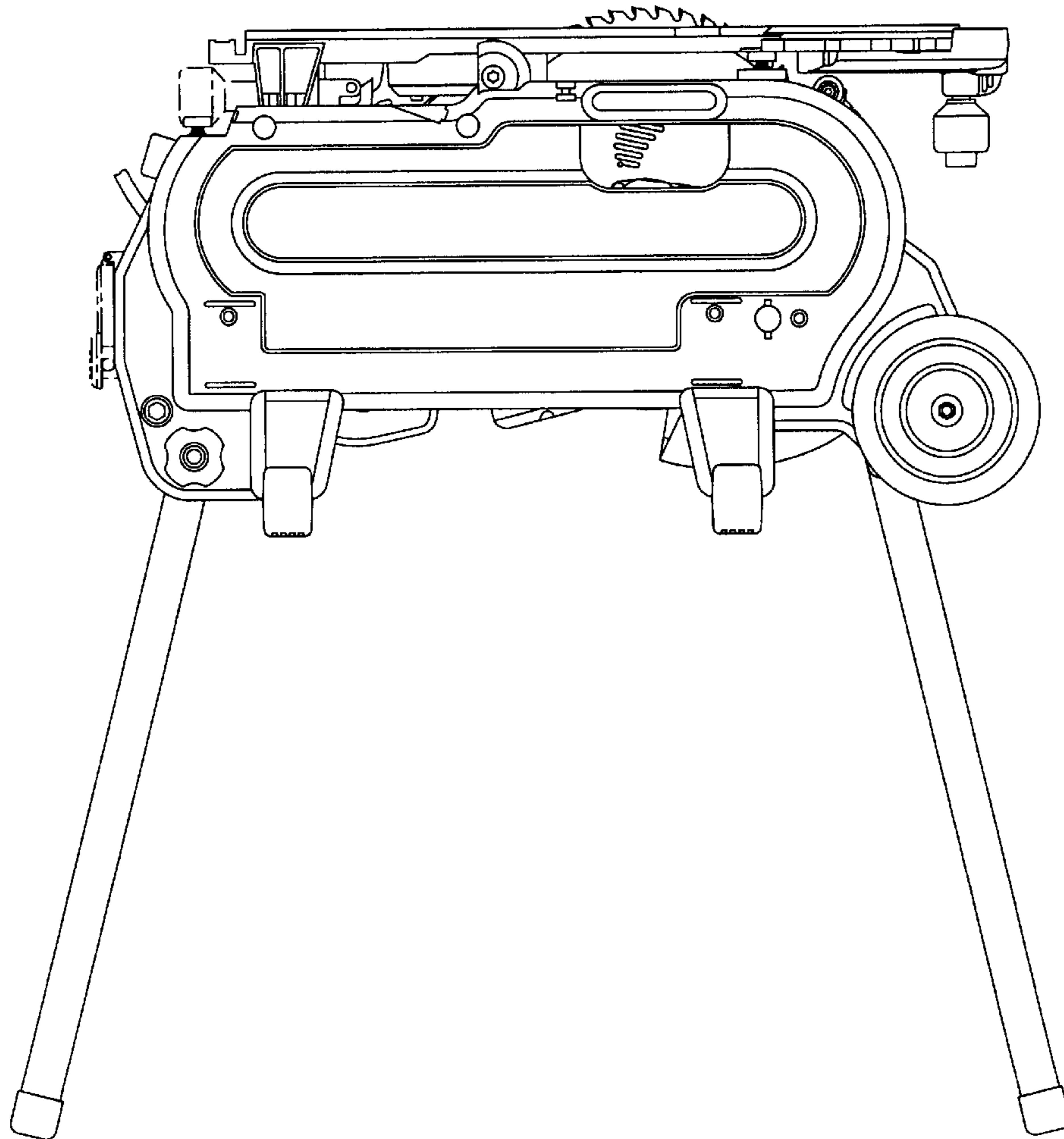


FIG. 12

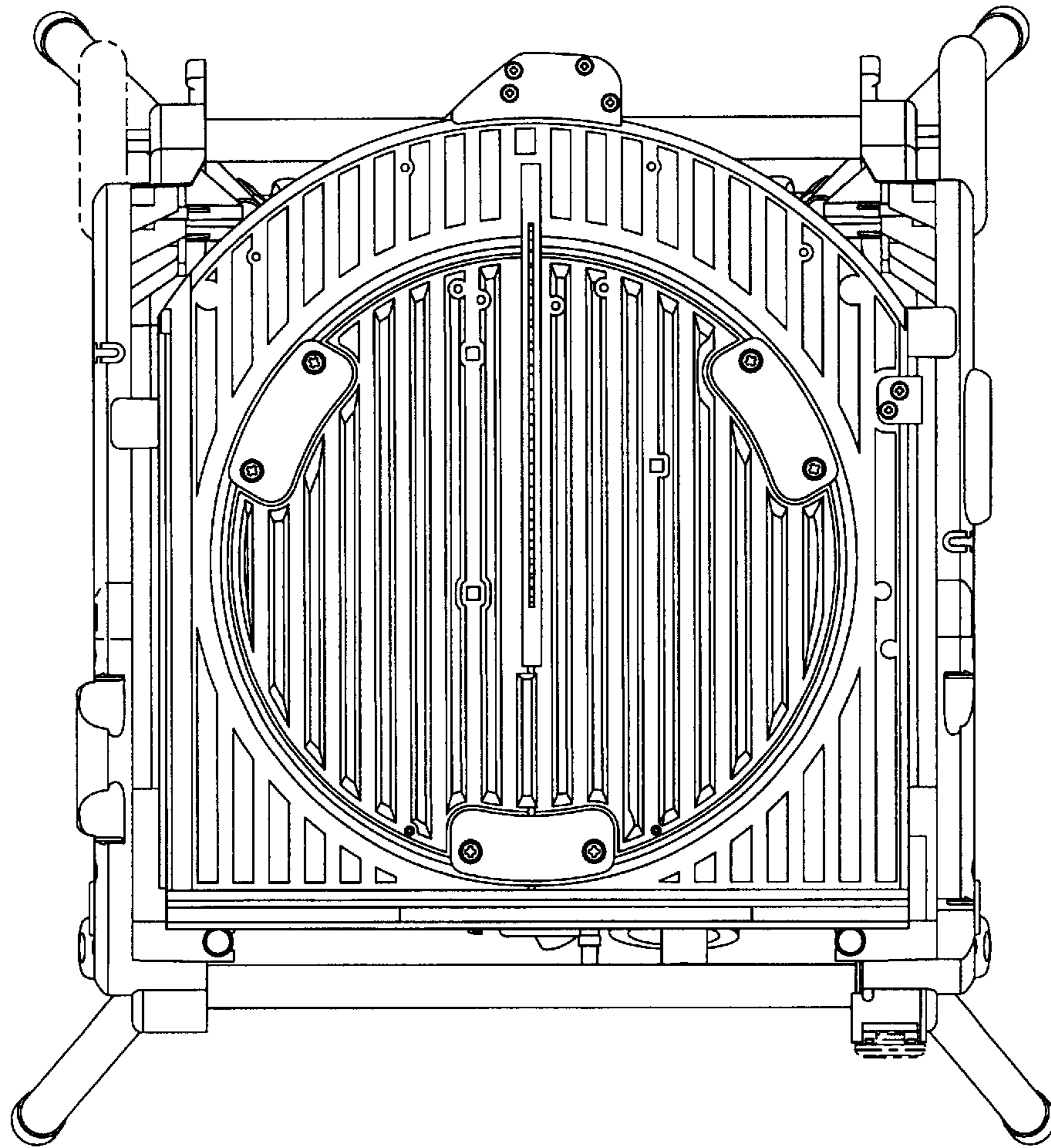


FIG. 13

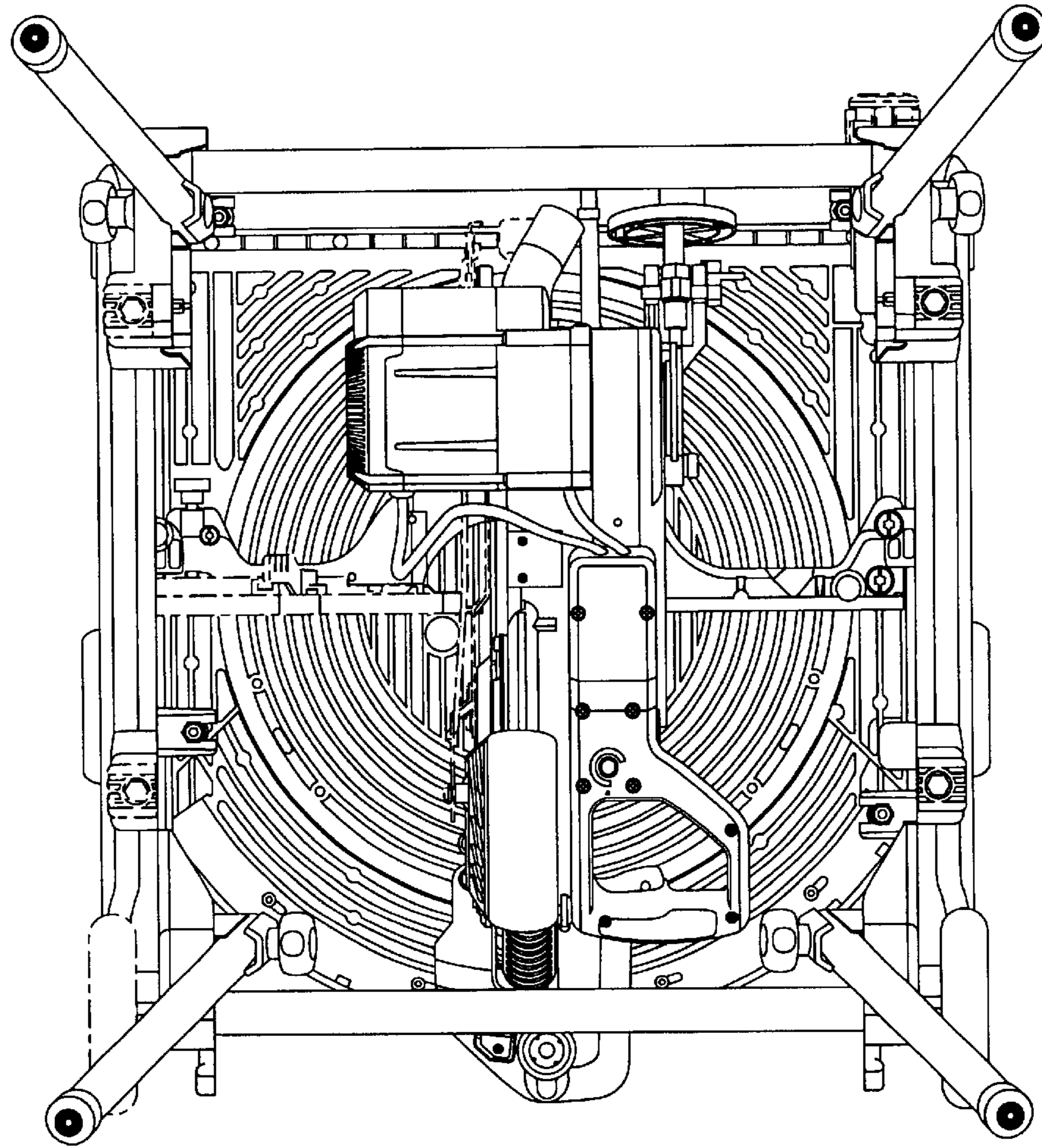


FIG. 14