



US00D528569S

(12) **United States Design Patent**
Nilsson

(10) **Patent No.:** **US D528,569 S**

(45) **Date of Patent:** **** Sep. 19, 2006**

(54) **FRONT LOADER**

(75) Inventor: **Tommy Nilsson**, Umea (SE)

(73) Assignee: **ALO AB**, Umea (SE)

(**) Term: **14 Years**

(21) Appl. No.: **29/227,490**

(22) Filed: **Apr. 12, 2005**

(30) **Foreign Application Priority Data**

Oct. 12, 2004 (EM) 000238670

(51) **LOC (8) Cl.** **15-03**

(52) **U.S. Cl.** **D15/32**

(58) **Field of Classification Search** D15/10,
D15/22-25, 28, 32; D34/36; 180/89.1, 89.12,
180/89.13; 414/685, 540, 559, 694, 708,
414/686, 723, 918, 680, 800, 722, 724; 172/272-275;
37/304, 468; 212/347

See application file for complete search history.

(56) **References Cited**

U.S. PATENT DOCUMENTS

4,161,369 A * 7/1979 Moreno 414/722
4,576,543 A * 3/1986 Kuchyt et al. 414/722
5,807,061 A * 9/1998 Donoghue et al. 414/710
D407,415 S * 3/1999 Flatau et al. D15/28
6,171,050 B1 1/2001 Johnson

D464,978 S * 10/2002 Dahl et al. D15/28
D469,448 S * 1/2003 Bares et al. D15/32
6,582,177 B1 * 6/2003 Westendorf et al. 414/686
D492,327 S * 6/2004 Albright et al. D15/23
6,860,707 B1 * 3/2005 Roan et al. 414/723

OTHER PUBLICATIONS

Document No. 04023651, "Bilaga 1", Front Loader
"Emily", 1 page, Printed Jan. 27, 2005.

* cited by examiner

Primary Examiner—Stella Reid
Assistant Examiner—Mark Goodwin

(74) *Attorney, Agent, or Firm*—Nixon & Vanderhye P.C.

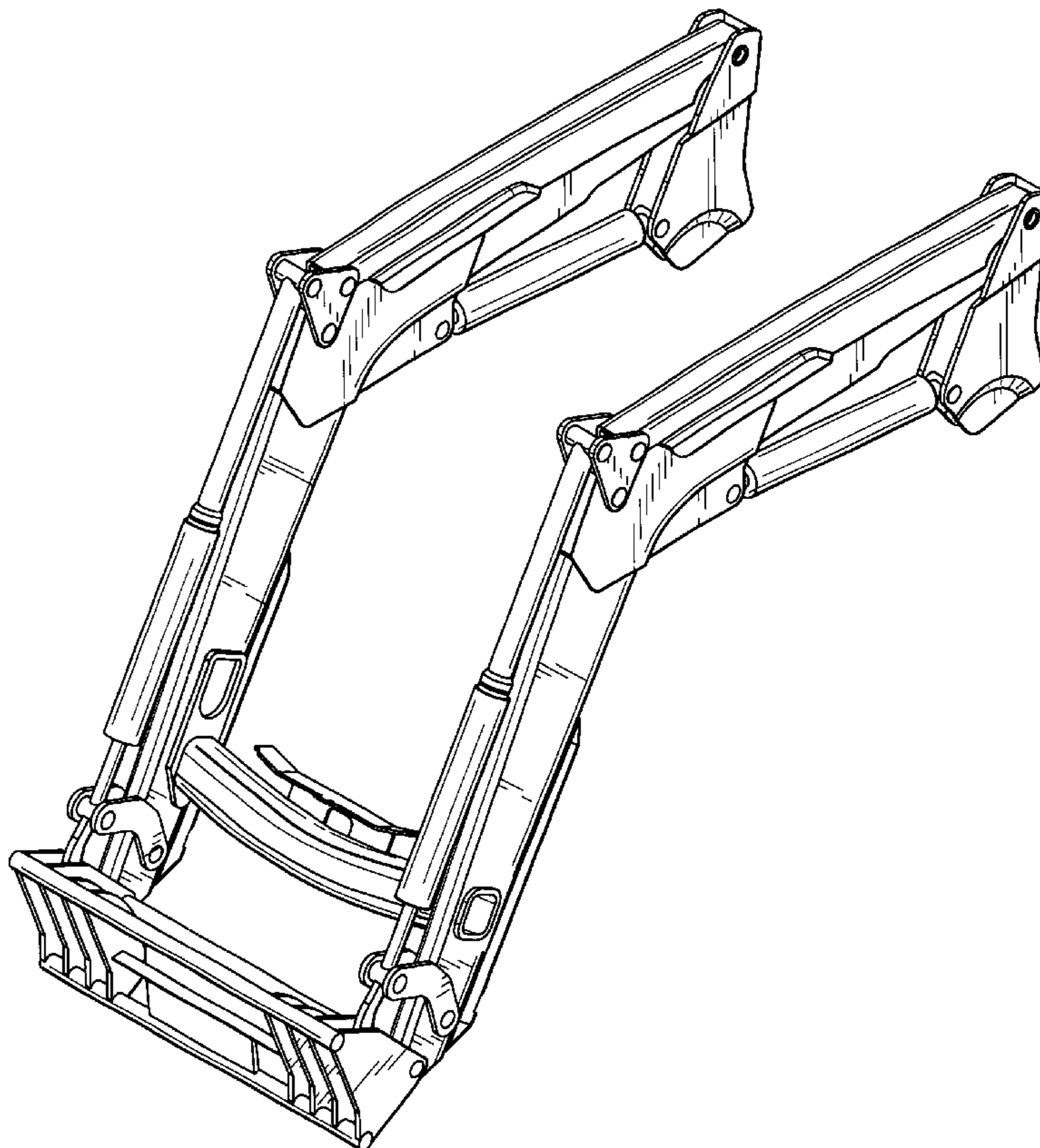
(57) **CLAIM**

The ornamental design for a front loader, as shown and
described.

DESCRIPTION

FIG. 1 is a perspective view of a front loader showing my
new design;
FIG. 2 is a reverse perspective view thereof;
FIG. 3 is a front view thereof;
FIG. 4 is a rear view thereof;
FIG. 5 is a top view thereof;
FIG. 6 is a bottom view thereof; and,
FIG. 7 is a left side view thereof, with the right side view
being a mirror image thereof.

1 Claim, 7 Drawing Sheets



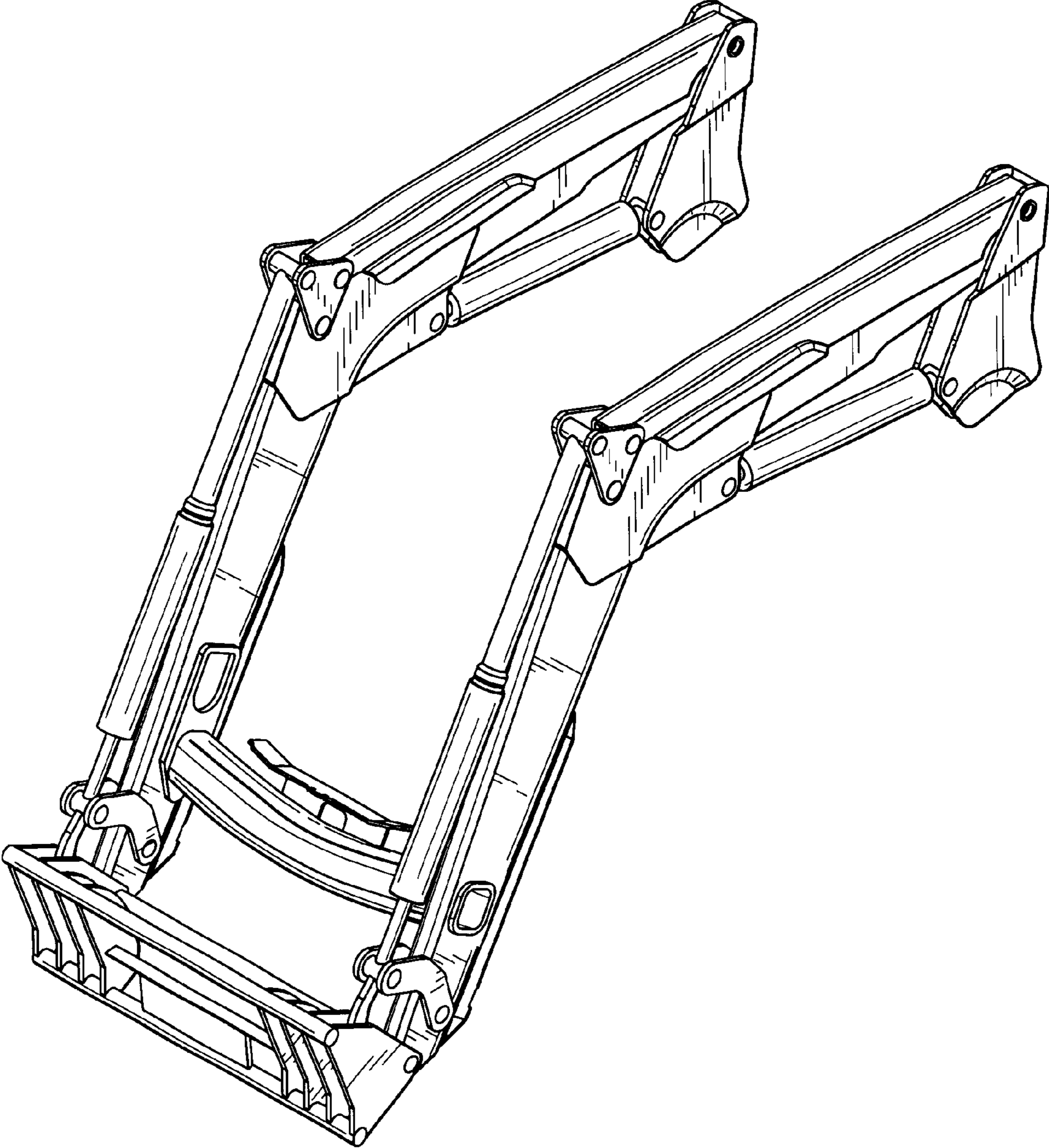


Fig. 1

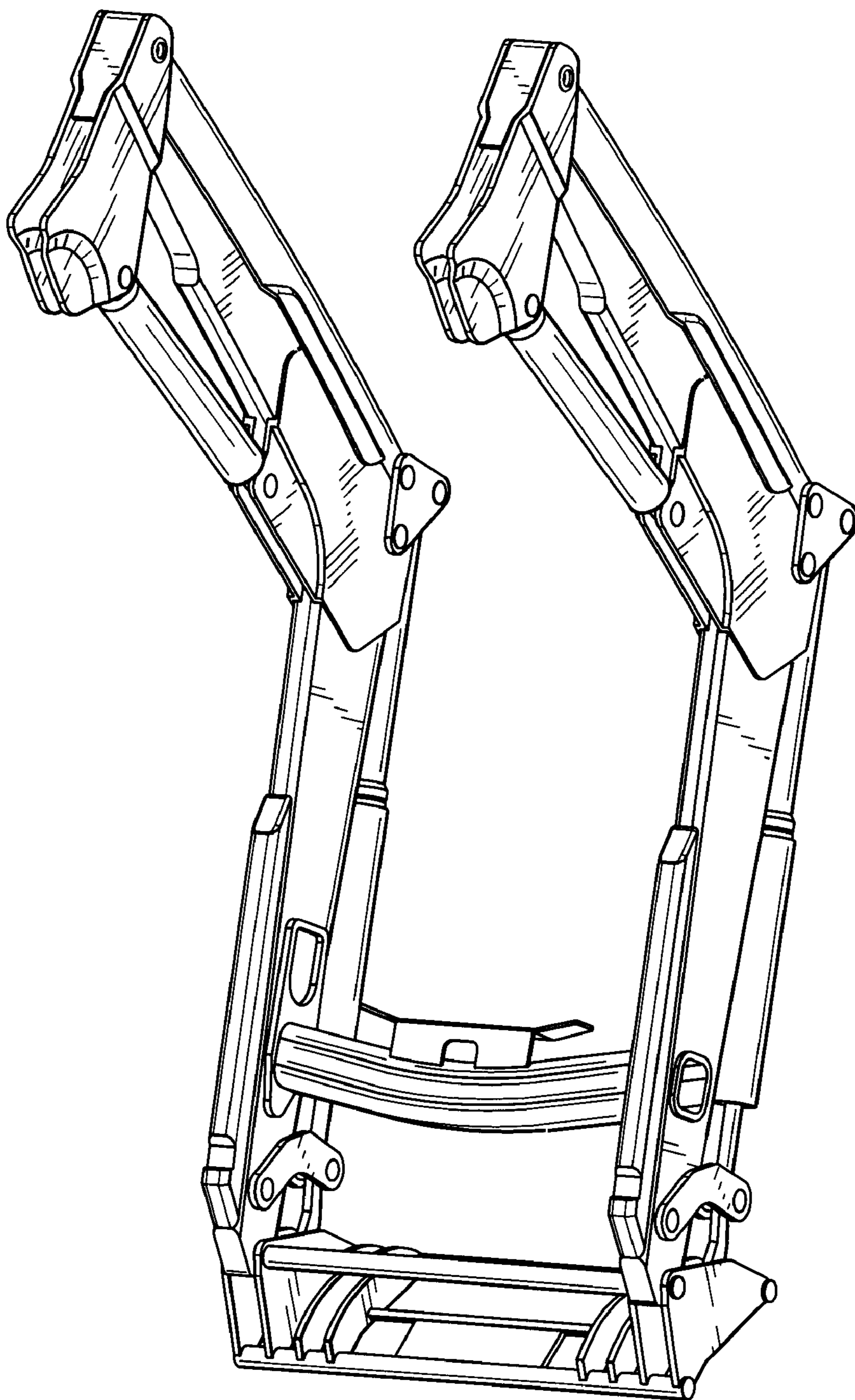


Fig. 2

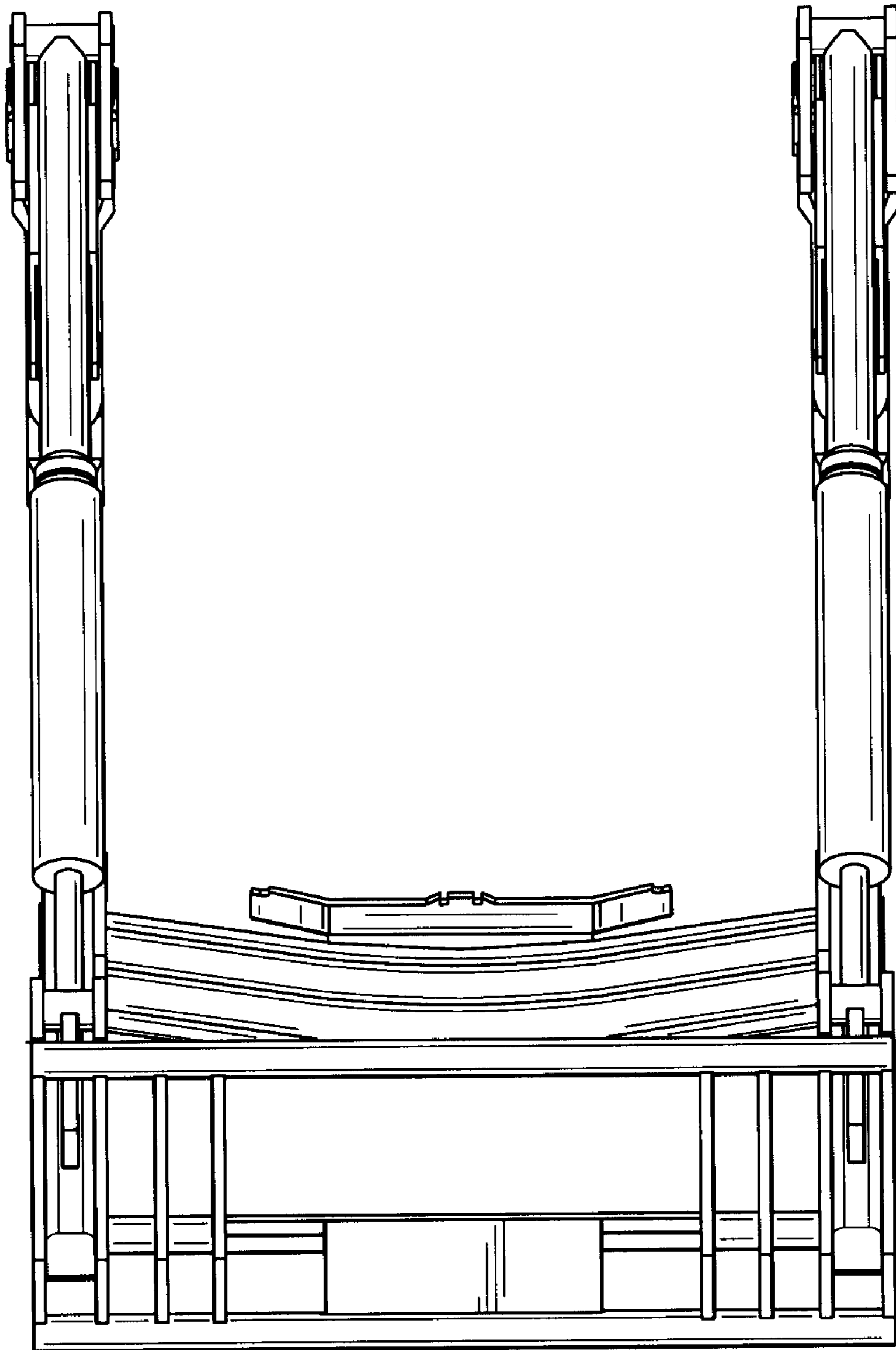


Fig. 3

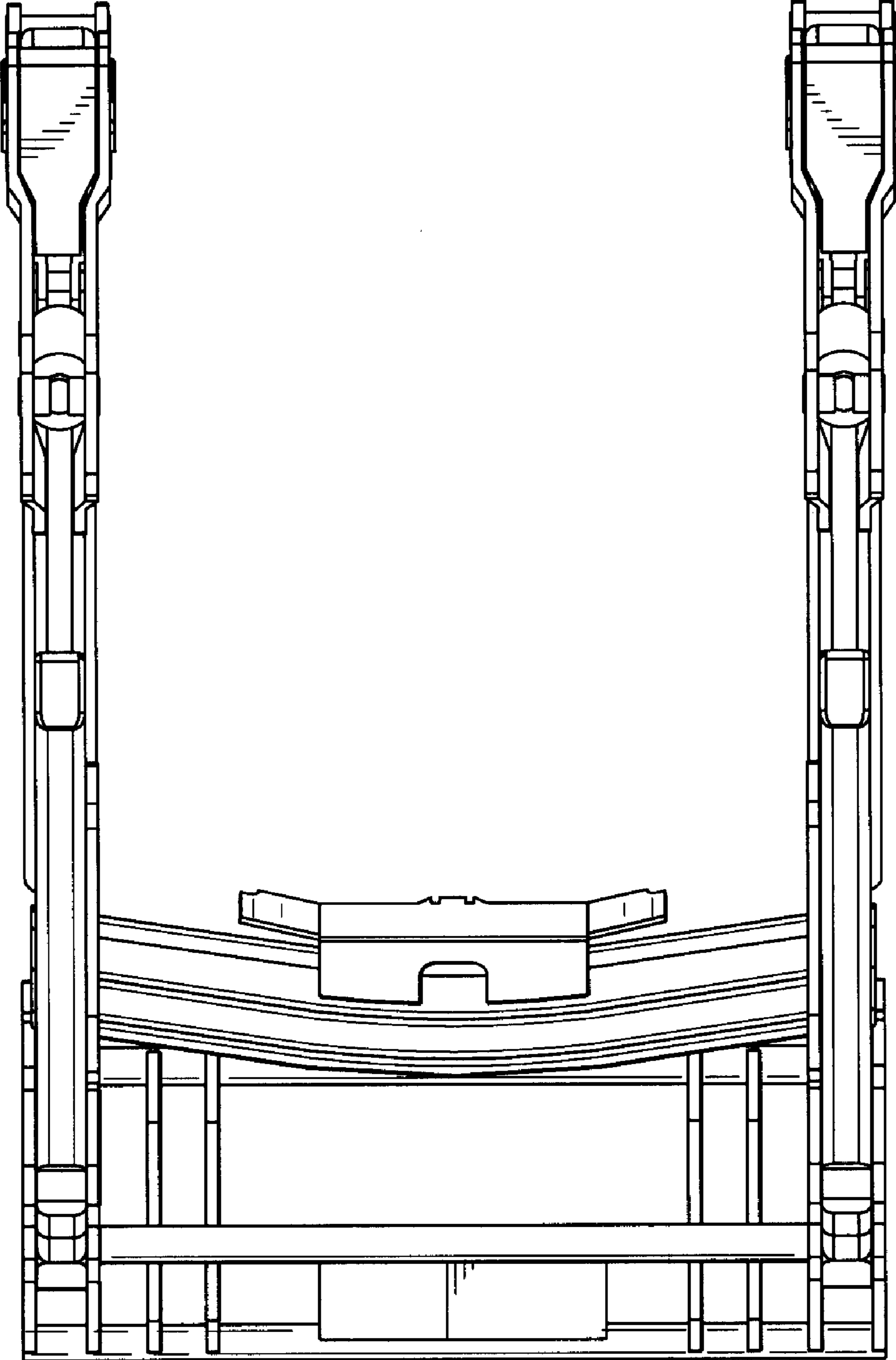


Fig. 4

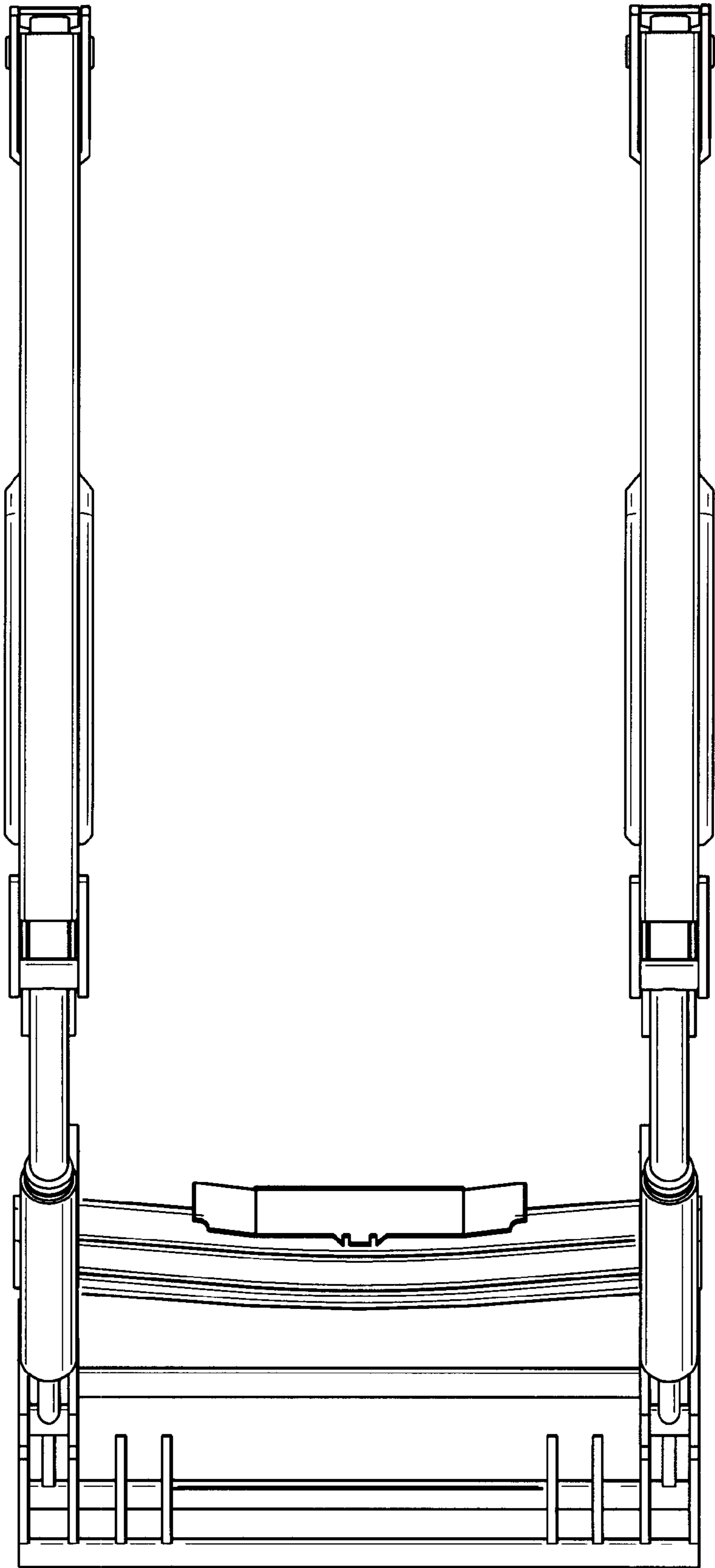


Fig. 5

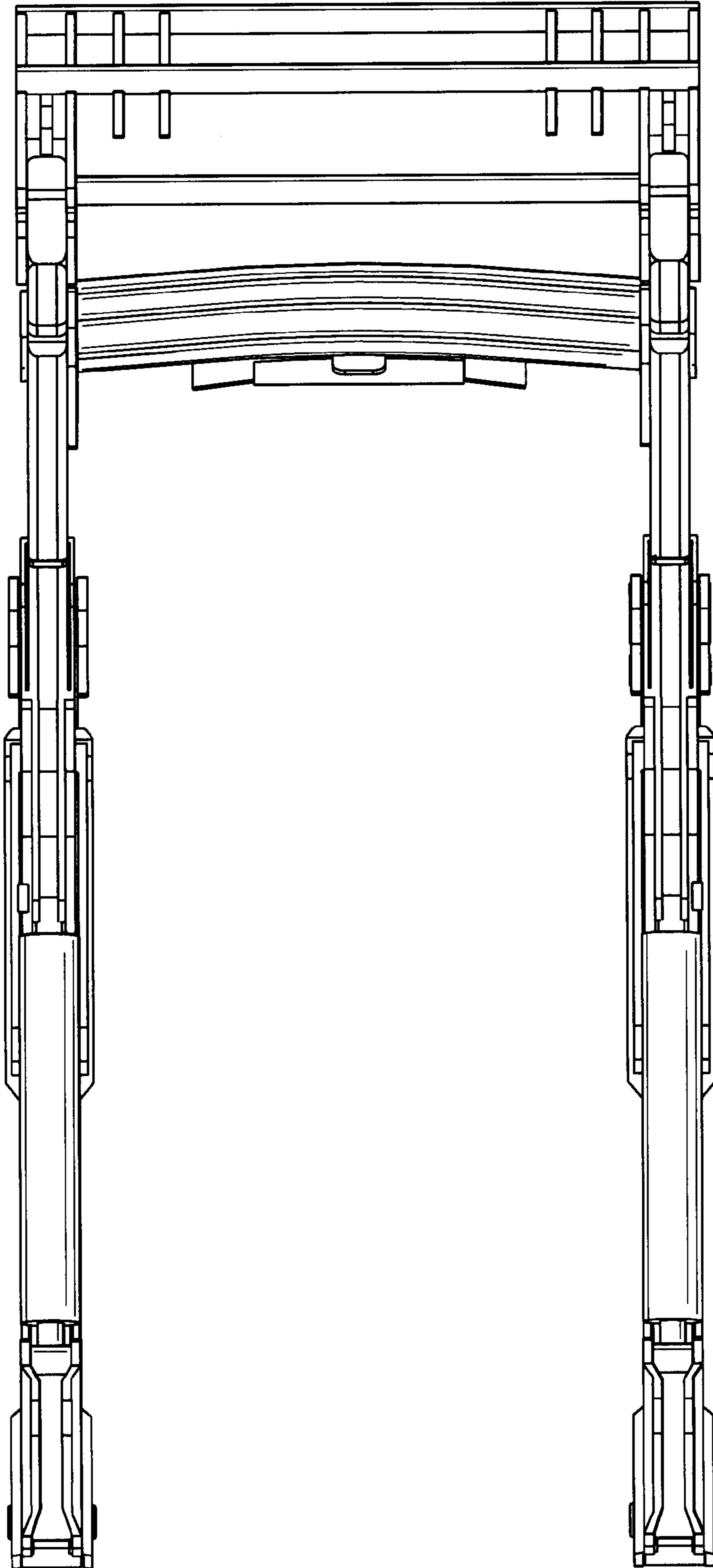


Fig. 6

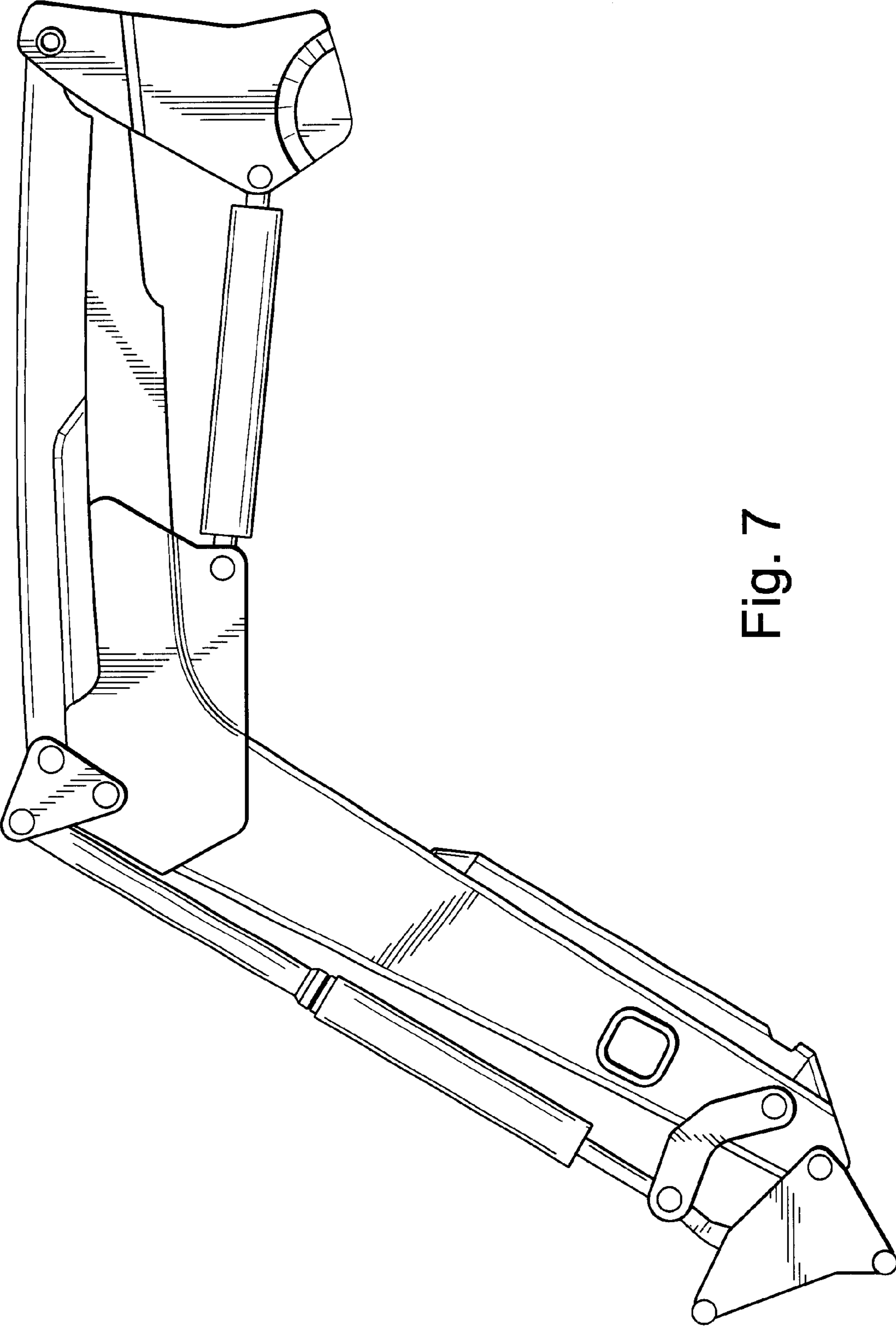


Fig. 7