

US00D528567S

(12) **United States Design Patent**  
**Longo**

(10) **Patent No.:** **US D528,567 S**

(45) **Date of Patent:** **\*\* Sep. 19, 2006**

(54) **WHEELED BRACKET FOR A WEED CUTTING DEVICE**

(76) Inventor: **Richard Longo**, 101 Westholm Blvd.,  
Syracuse, NY (US) 13219

(\*\*) Term: **14 Years**

(21) Appl. No.: **29/230,223**

(22) Filed: **May 18, 2005**

**Related U.S. Application Data**

(63) Continuation-in-part of application No. 29/212,635, filed on  
Sep. 3, 2004, now Pat. No. Des. 509,116.

(51) **LOC (8) Cl.** ..... **15-03**

(52) **U.S. Cl.** ..... **D15/17**

(58) **Field of Classification Search** ..... D15/10,  
D15/17, 28; D8/7, 8; D34/24; 56/16.7, 17.1,  
56/17.2, 17.5, 400.14, 12.1, 12.7; 172/17,  
172/13-15; 280/47, 24

See application file for complete search history.

(56) **References Cited**

**U.S. PATENT DOCUMENTS**

2,045,336 A \* 6/1936 Skoglund ..... 248/80  
D231,970 S \* 7/1974 Handley ..... D32/31  
4,829,755 A \* 5/1989 Nance ..... 56/17.1  
4,879,869 A \* 11/1989 Buckendorf, Jr. .... 56/12.7  
4,922,964 A \* 5/1990 Buscher ..... 137/625.62

5,092,112 A \* 3/1992 Buckendorf, Jr. .... 56/17.5  
D356,583 S \* 3/1995 Cordova ..... D15/17  
D402,433 S \* 12/1998 Wells ..... D34/24  
5,884,462 A \* 3/1999 Gerber ..... 56/12.1  
6,050,069 A \* 4/2000 Elensky ..... 56/7  
6,058,503 A \* 5/2000 Williams ..... 2/16  
D451,932 S \* 12/2001 Dockery ..... D15/28

\* cited by examiner

*Primary Examiner*—Stella Reid

*Assistant Examiner*—Mark Goodwin

(74) *Attorney, Agent, or Firm*—George R. McGuire; Bond,  
Schoeneck & King, PLLC

(57) **CLAIM**

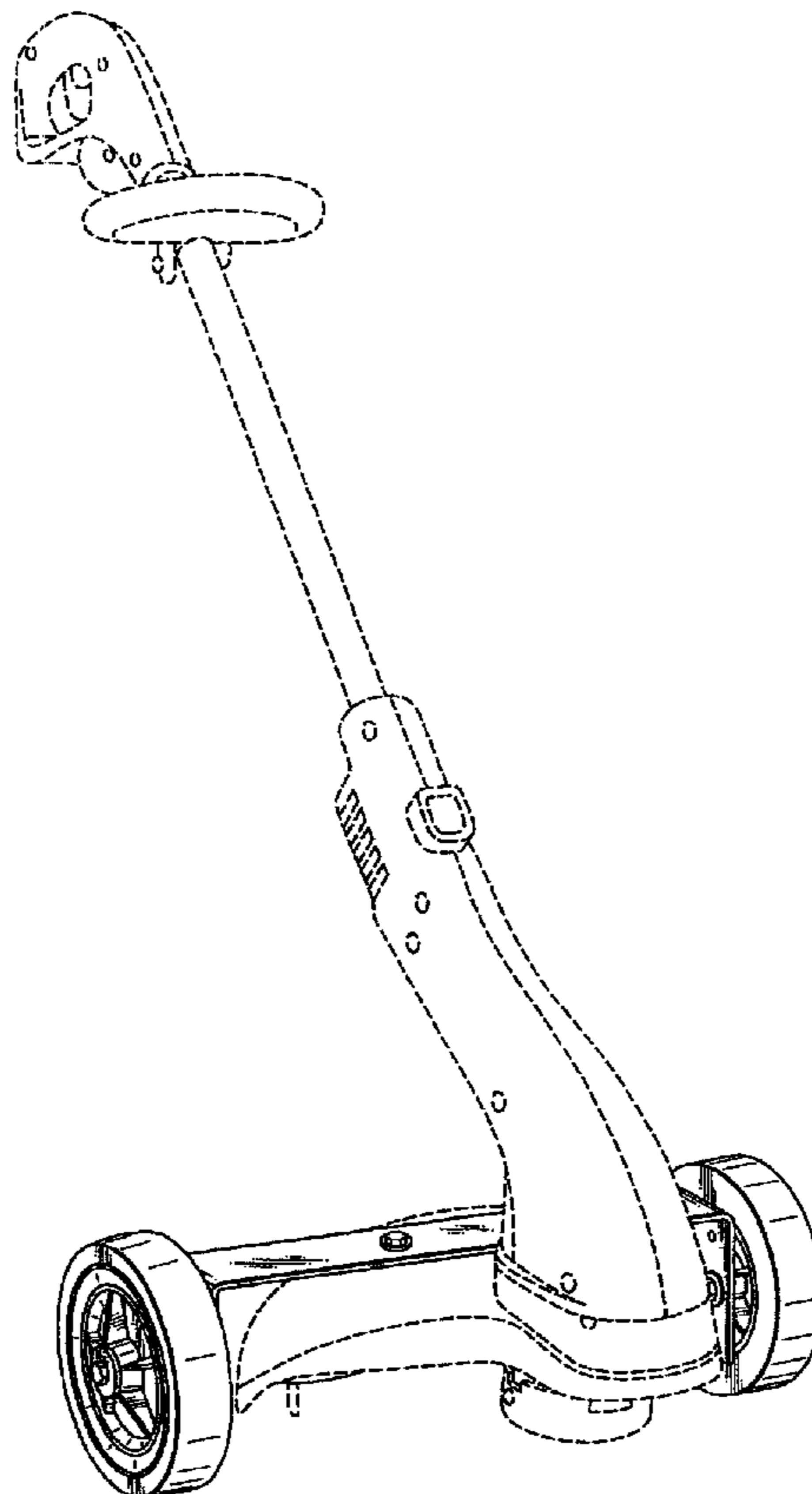
The ornamental design for a wheeled bracket for a weed cutting device, as shown and described.

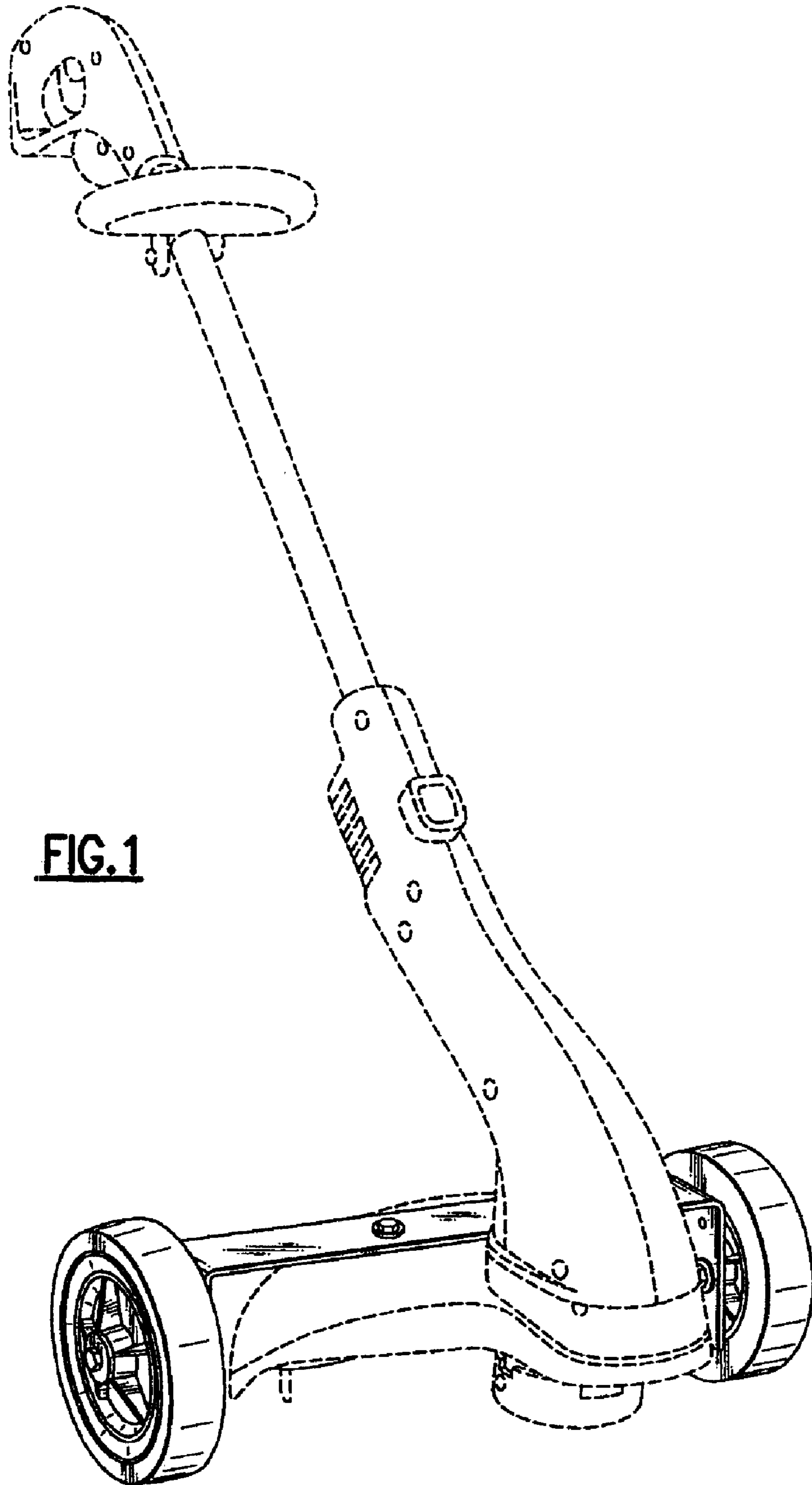
**DESCRIPTION**

FIG. 1 is a perspective view of a wheeled bracket for a weed cutting device showing my new design; FIG. 2 is a right side elevation view thereof; FIG. 3 is a left side elevation view thereof; FIG. 4 is a front elevation view thereof; FIG. 5 is a rear elevation view thereof; FIG. 6 is a top plan view thereof; and, FIG. 7 is a bottom plan view thereof.

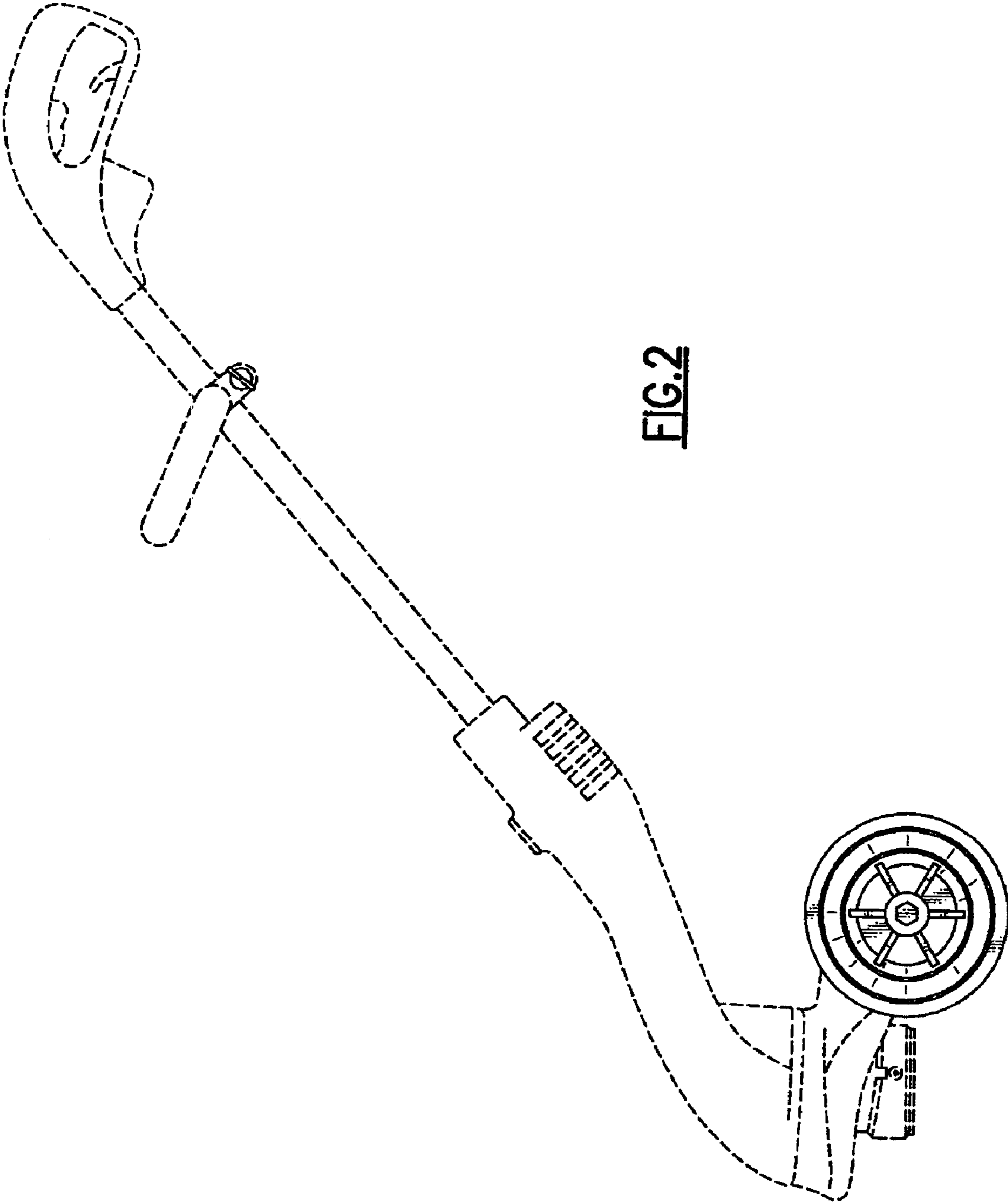
The broken lines showing the body of the trimmer are for illustrative purposes only and form no part of the claimed design.

**1 Claim, 5 Drawing Sheets**

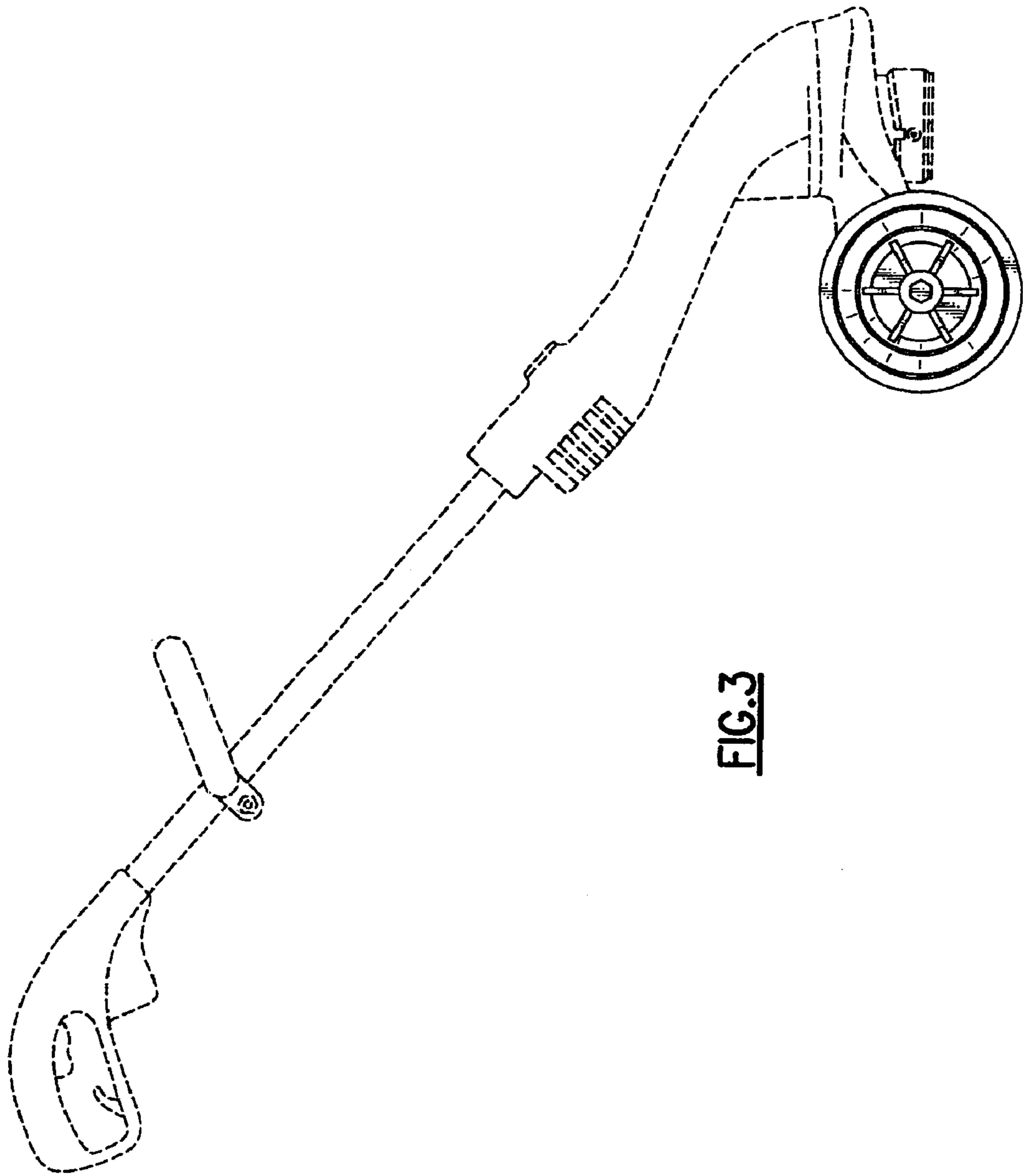




**FIG. 1**



**FIG. 2**



**FIG. 3**

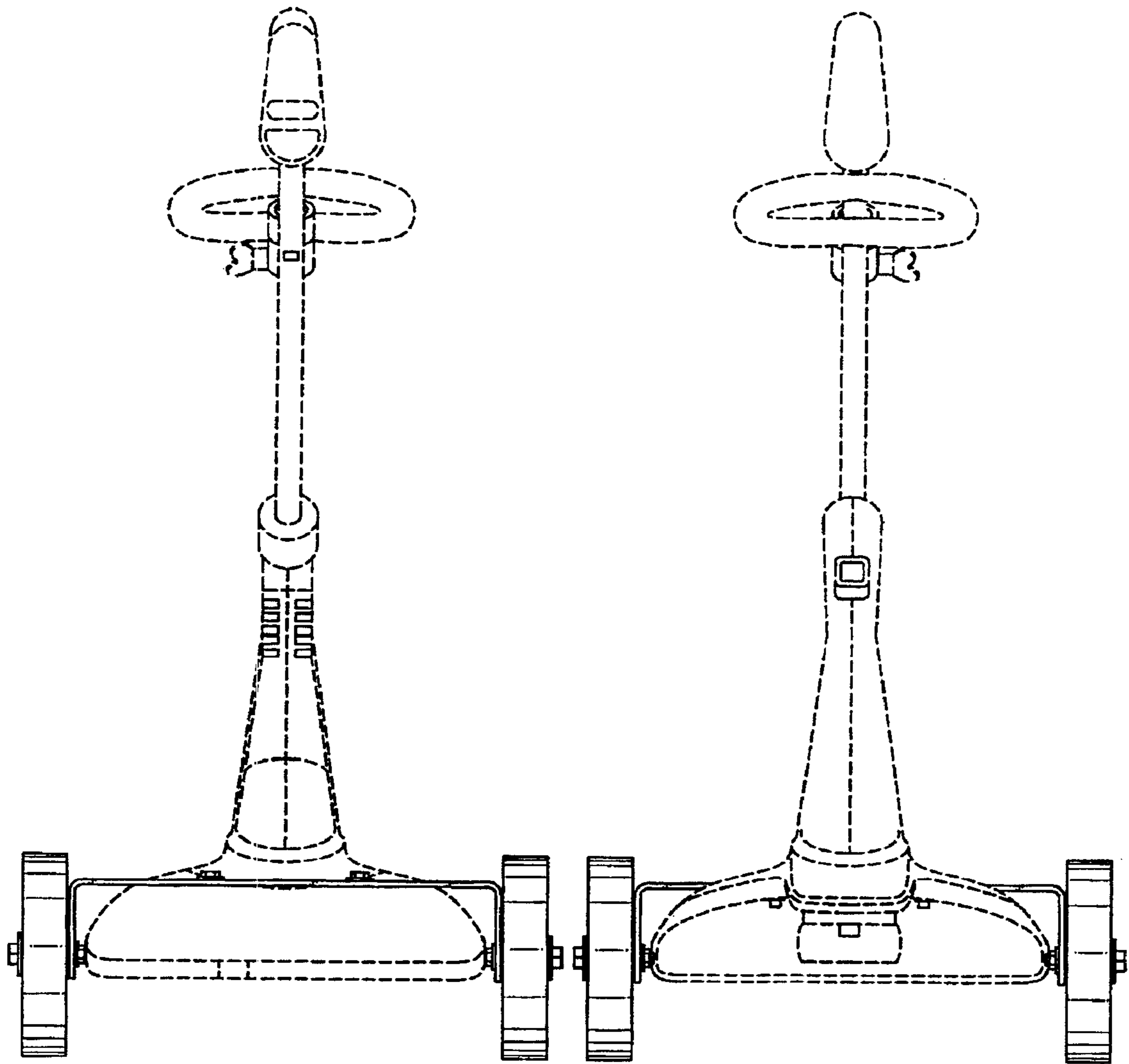


FIG. 4

FIG. 5

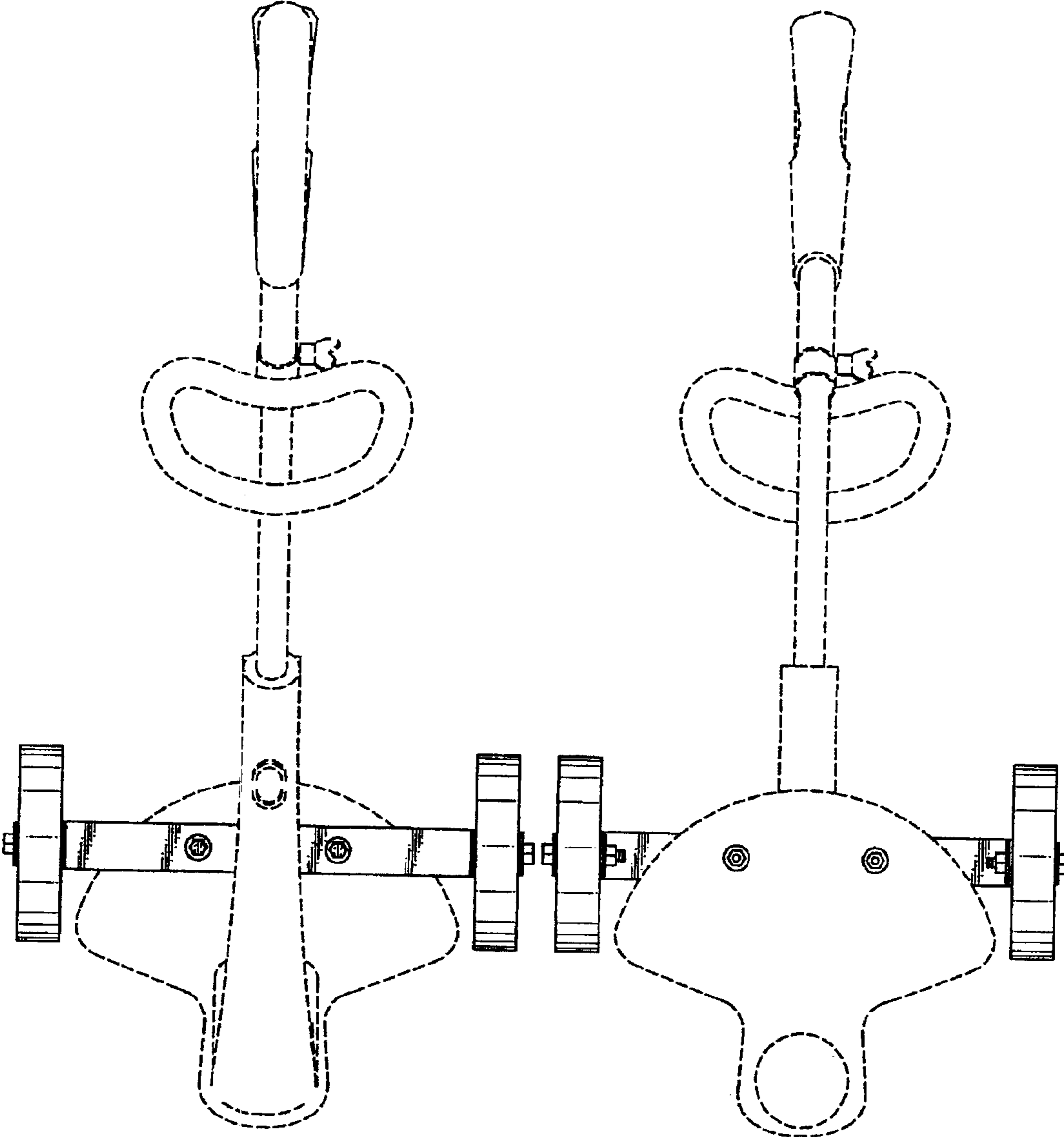


FIG. 6

FIG. 7