



US00D528563S

(12) **United States Design Patent**
Sanschagrín et al.

(10) **Patent No.:** **US D528,563 S**

(45) **Date of Patent:** **** Sep. 19, 2006**

(54) **COWLING**

(75) Inventors: **Stéphane Sanschagrín**, Valcourt (CA);
Pierre Vignau, Montreal (CA)

(73) Assignee: **BRP US Inc.**, Sturtevant, WI (US)

(**) Term: **14 Years**

(21) Appl. No.: **29/244,495**

(22) Filed: **Dec. 12, 2005**

Related U.S. Application Data

(62) Division of application No. 29/188,593, filed on Aug. 21, 2003, which is a continuation-in-part of application No. 29/175,384, filed on Feb. 4, 2003, now Pat. No. Des. 484,144, which is a continuation of application No. 29/159,706, filed on Apr. 26, 2002, now Pat. No. Des. 474,784.

(51) **LOC (8) Cl.** **15-01**

(52) **U.S. Cl.** **D15/4**

(58) **Field of Classification Search** D15/1-5;
440/3-6, 52, 53, 57, 61 R, 84, 88 R; 123/495,
123/195 P; 290/43-46, 54; 248/640-642,
248/643

See application file for complete search history.

(56) **References Cited**

U.S. PATENT DOCUMENTS

D272,358 S	*	1/1984	Hall et al.	D15/4
D463,448 S	*	9/2002	Osumi et al.	D15/4
D470,154 S	*	2/2003	Burmeister et al.	D15/4
D478,597 S	*	8/2003	Zebley, Jr.	D15/4

* cited by examiner

Primary Examiner—Ian Simons

Assistant Examiner—Maurice Stevens

(74) *Attorney, Agent, or Firm*—Osler, Hoskin & Harcourt LLP

(57) **CLAIM**

The ornamental design for a cowling, as shown and described.

DESCRIPTION

FIG. 1 is a perspective illustration, from the rear, left side of the cowling of our design;

FIG. 2 is a perspective illustration thereof, from the front, left side;

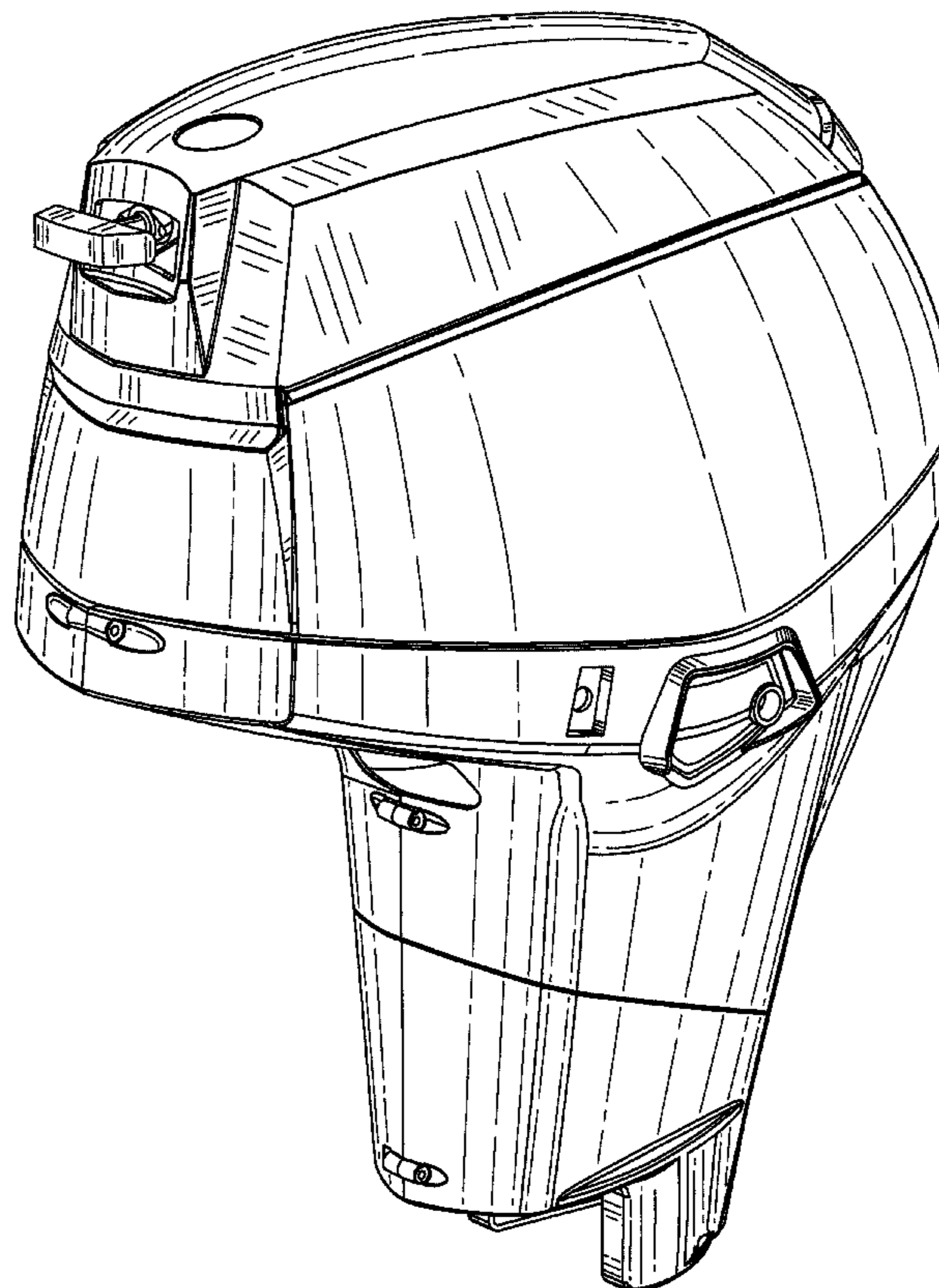
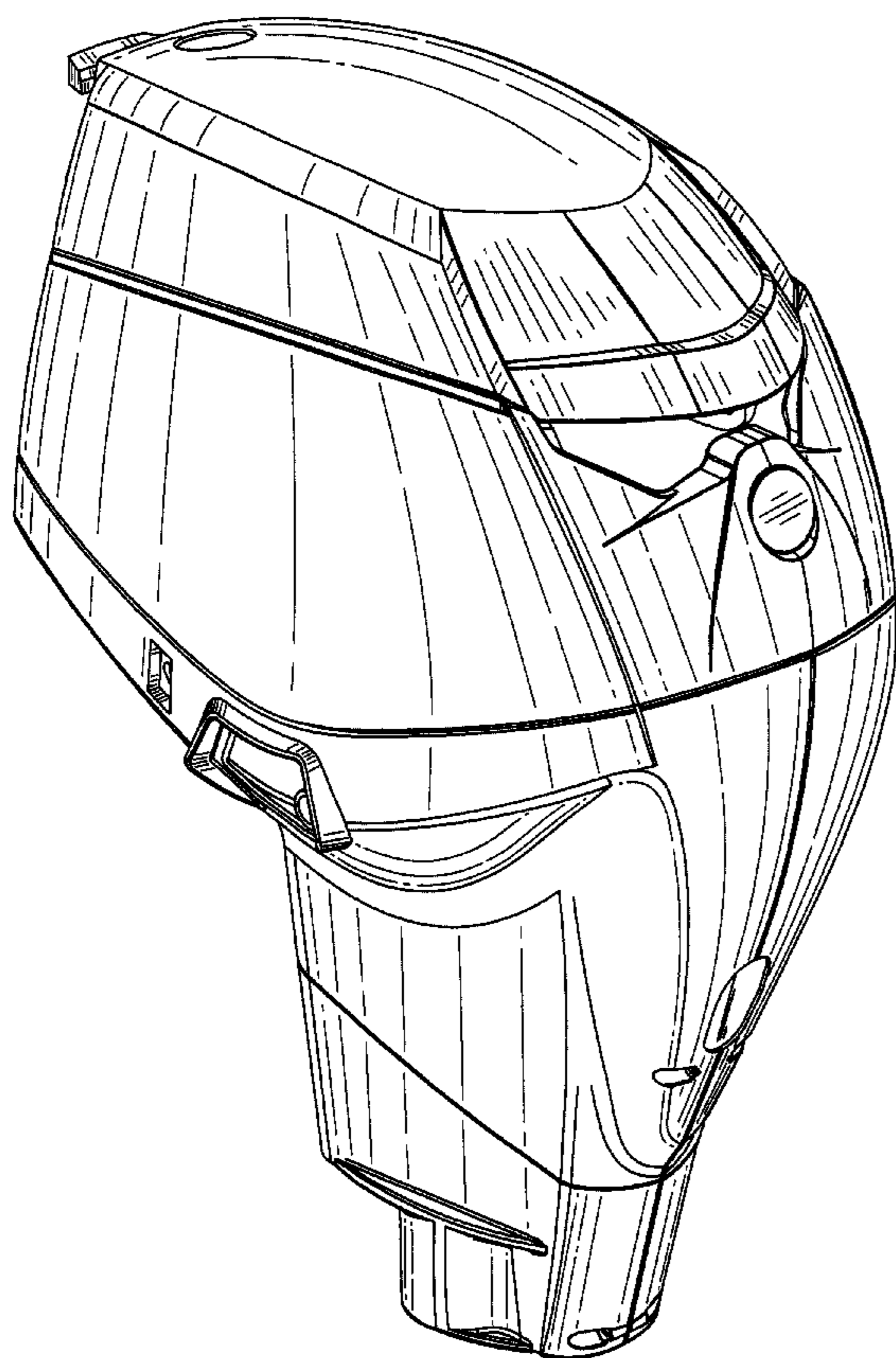
FIG. 3 is a rear view thereof;

FIG. 4 is left side view thereof, the right side being a mirror image;

FIG. 5 is a front view thereof; and,

FIG. 6 is a top view thereof.

1 Claim, 6 Drawing Sheets



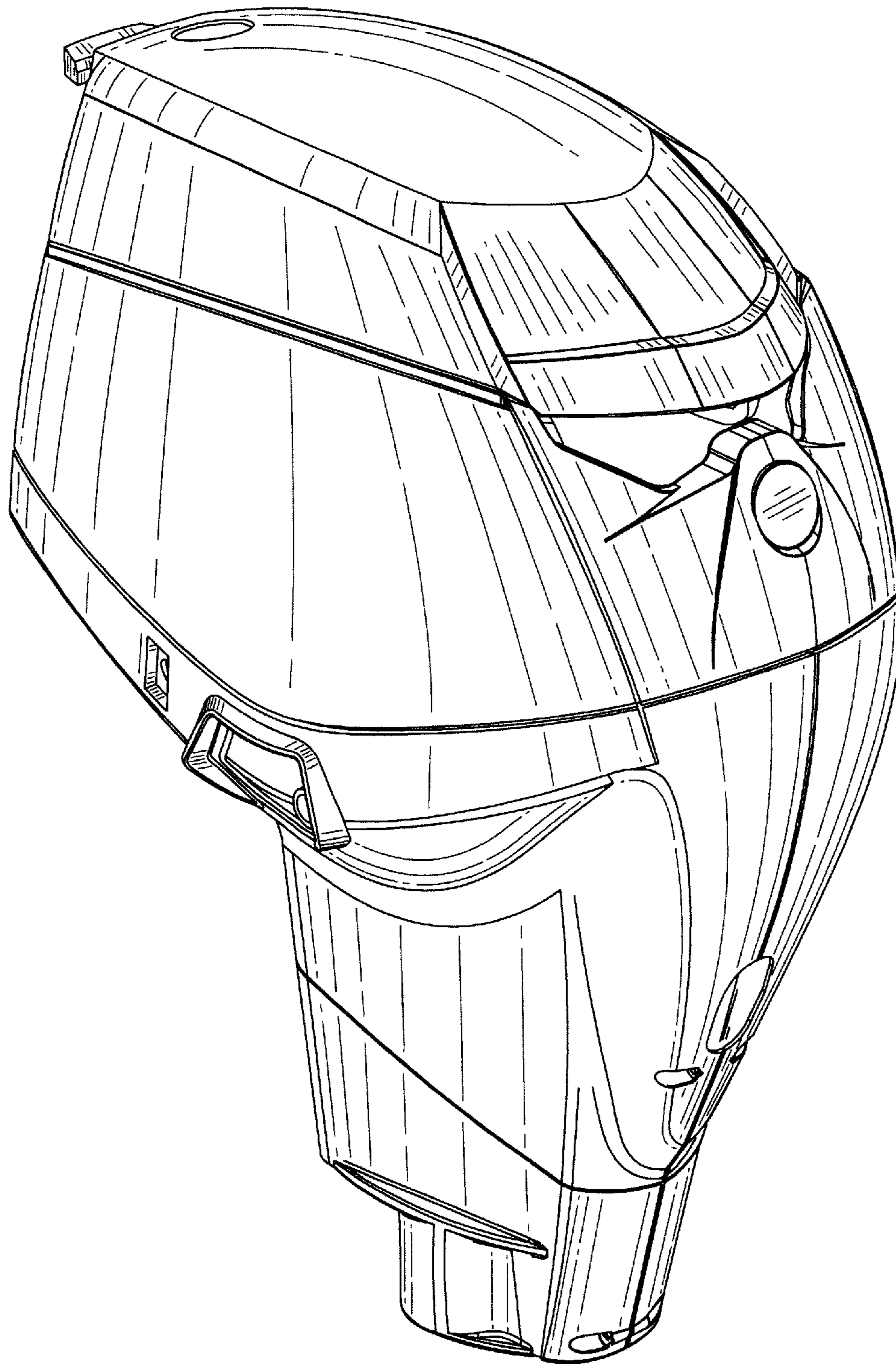


FIG. 1

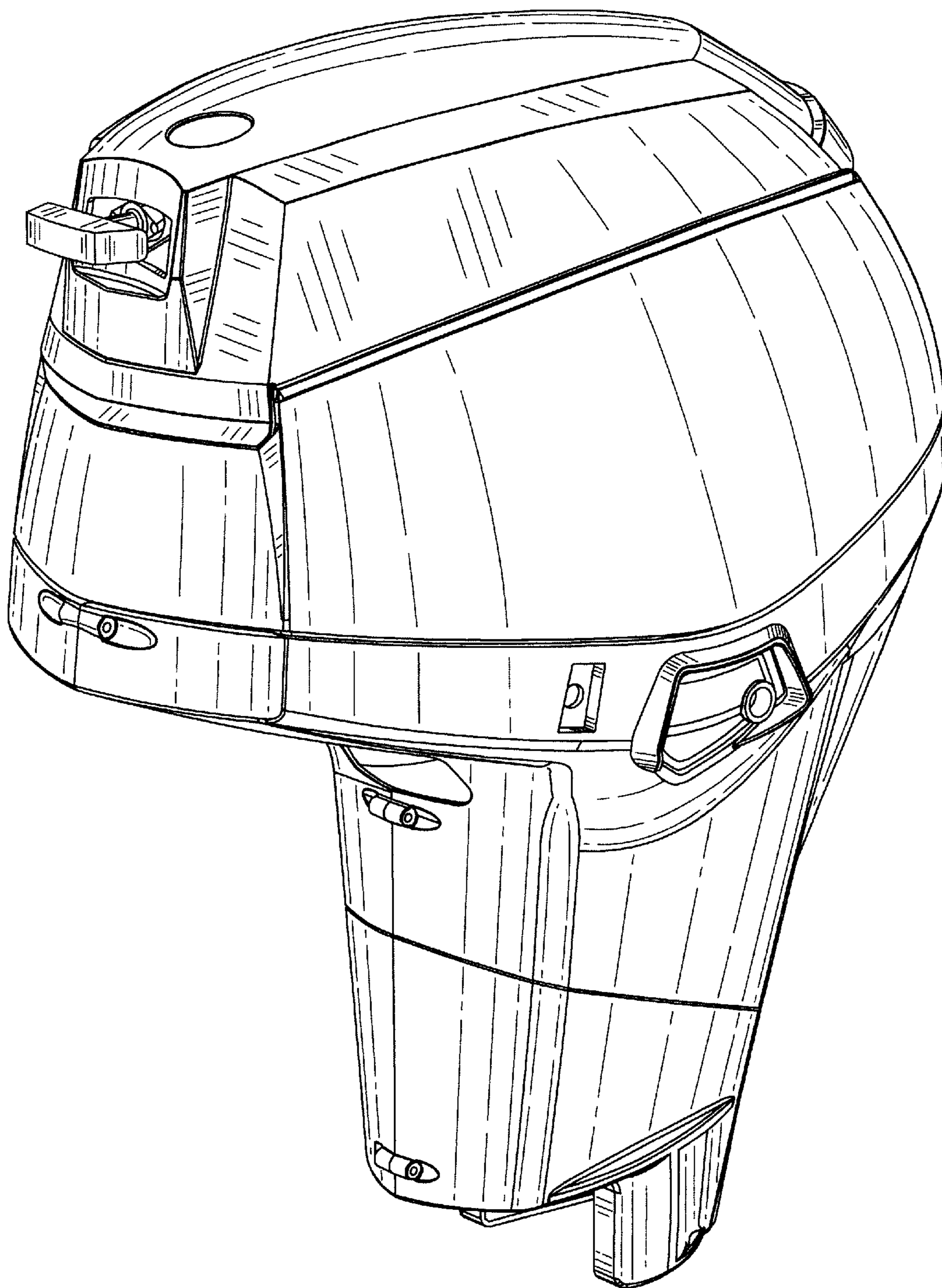


FIG. 2

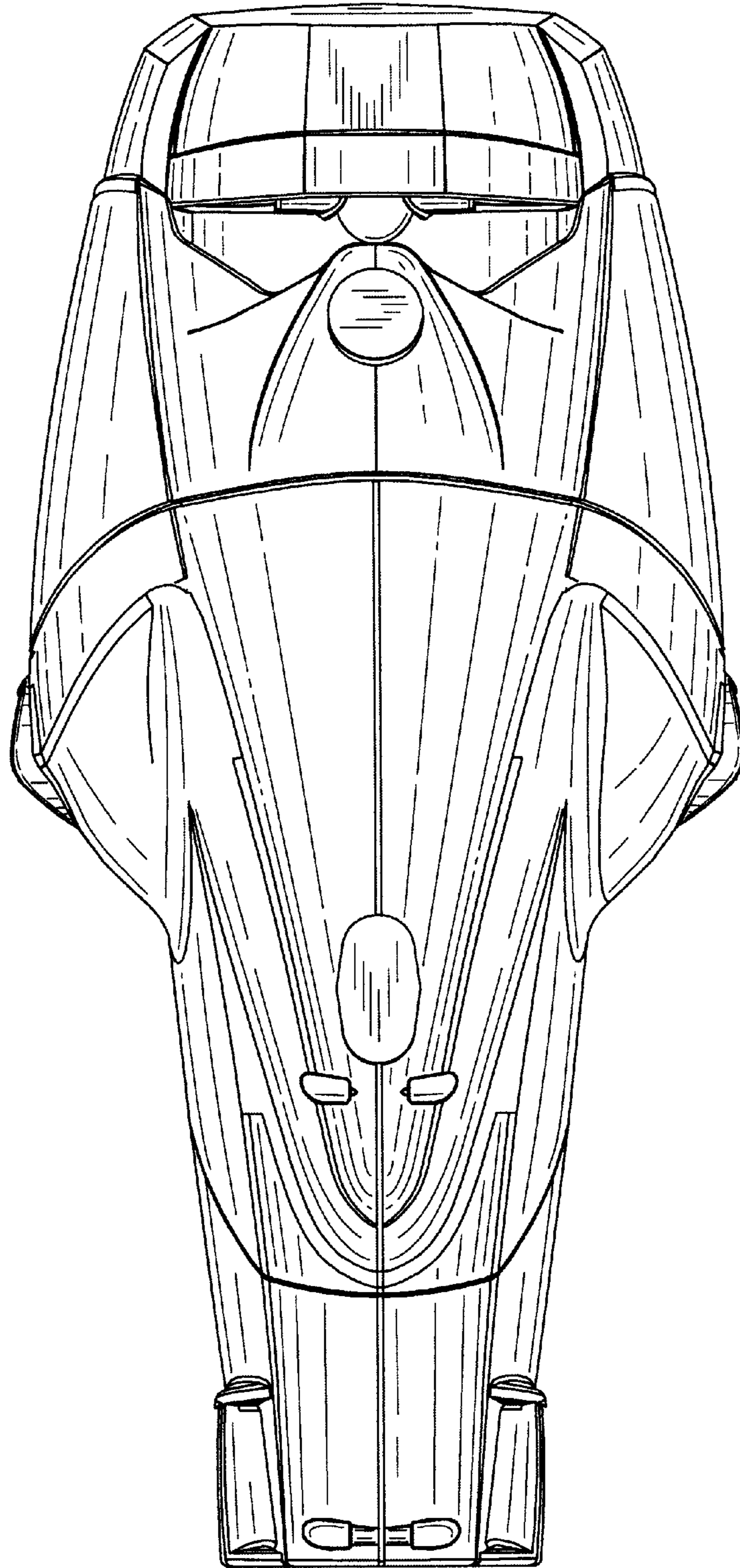


FIG. 3

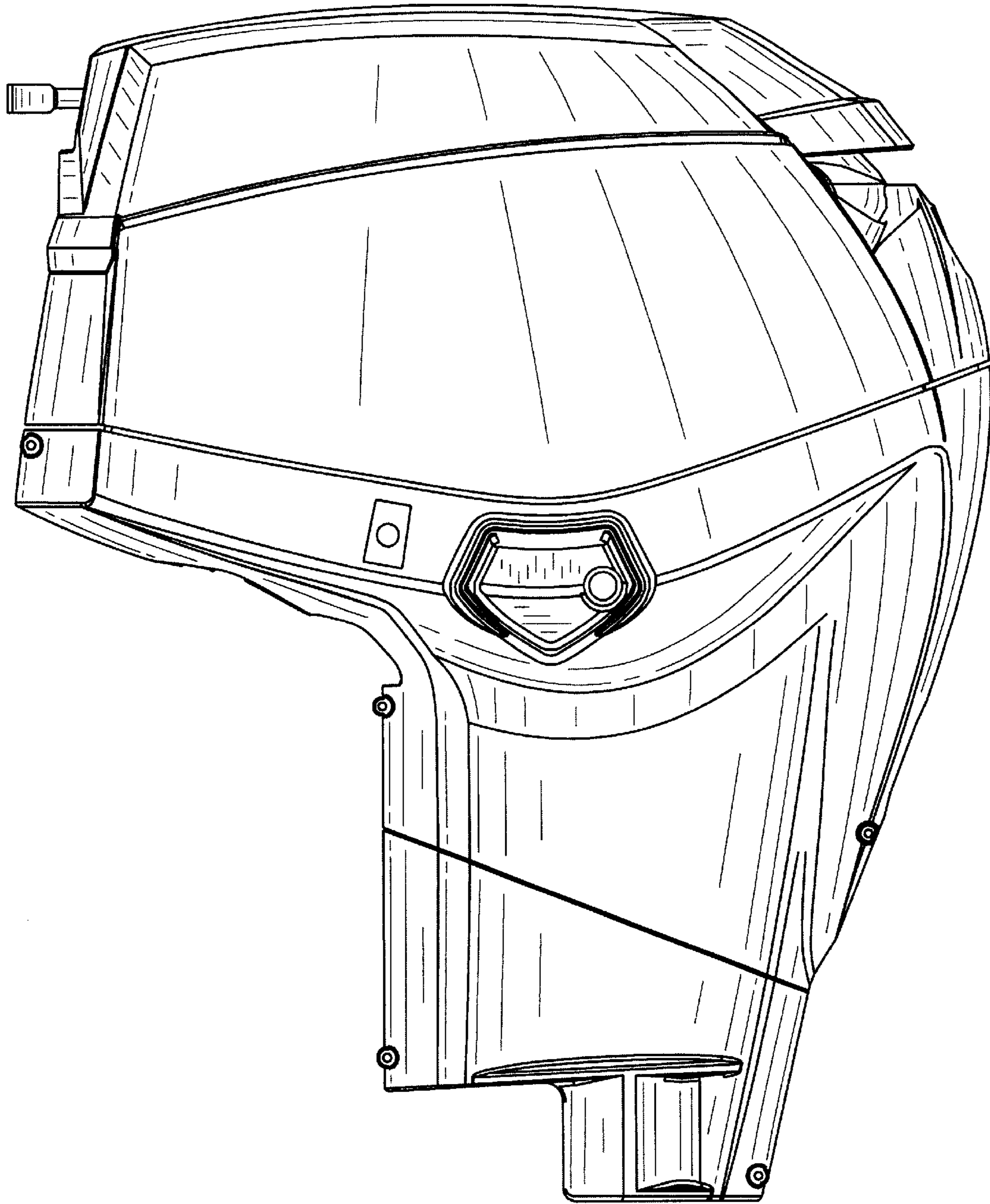


FIG. 4

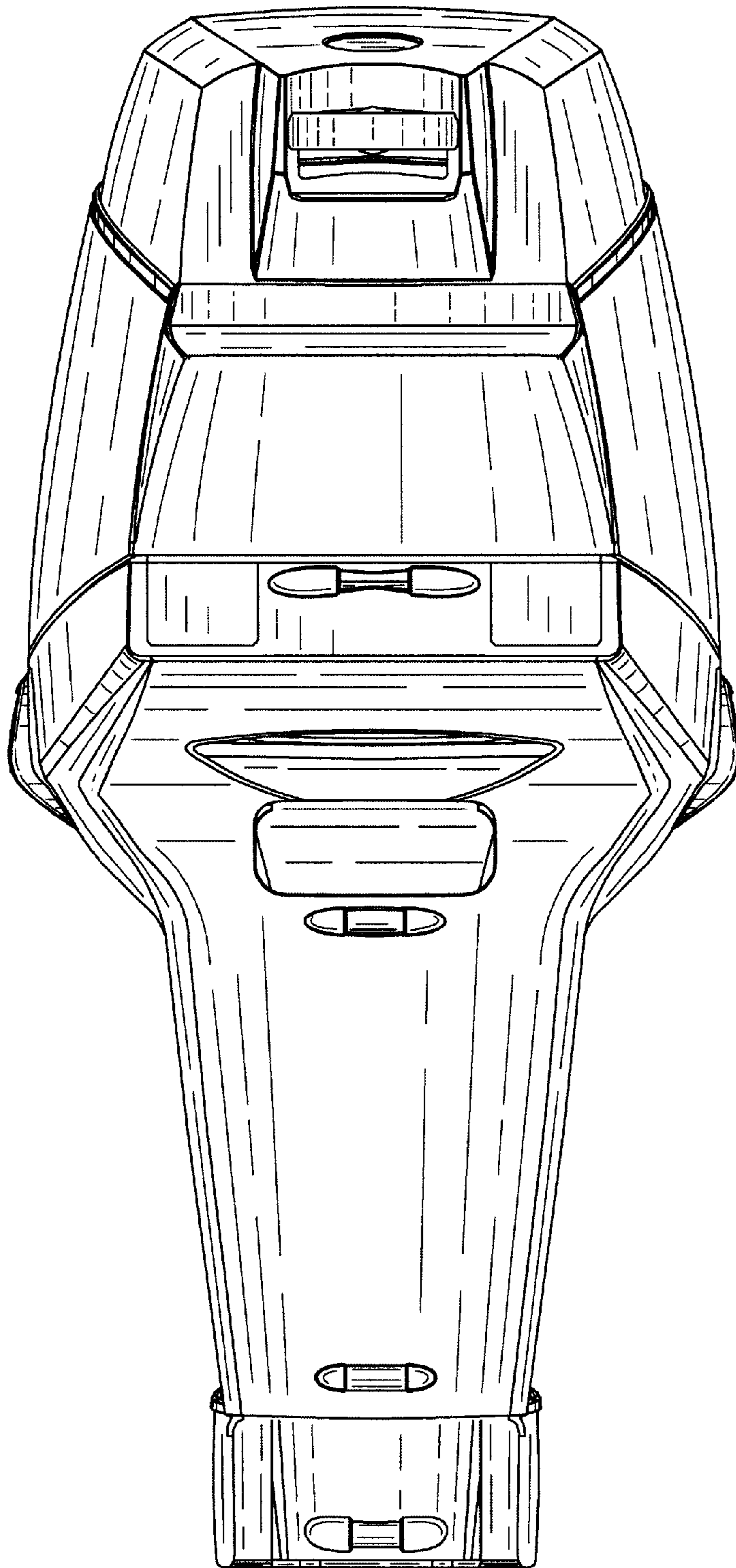


FIG. 5

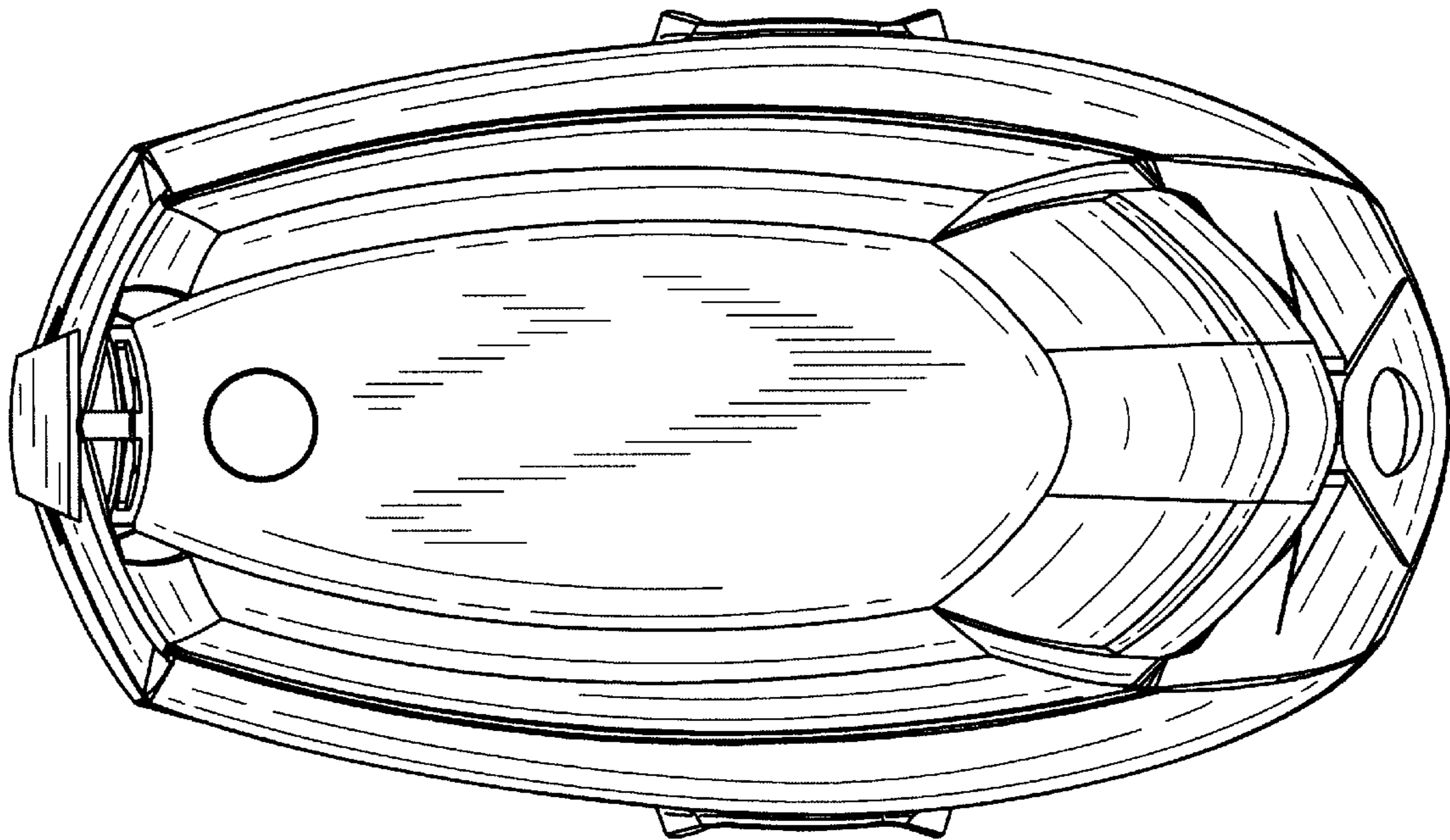


FIG. 6