

US00D528562S

(12) **United States Design Patent** (10) **Patent No.:** **US D528,562 S**
Zuo (45) **Date of Patent:** **** Sep. 19, 2006**

(54) **LAWN MOWER ENGINE**
 (75) Inventor: **Zongshen Zuo**, Chongqing (CN)
 (73) Assignee: **Chongqing Zongshen Technology R&D Co., Ltd.**, Chongqing (CN)
 (**) Term: **14 Years**
 (21) Appl. No.: **29/211,279**
 (22) Filed: **Aug. 13, 2004**
 (51) **LOC (8) Cl.** **15-01**
 (52) **U.S. Cl.** **D15/1; D15/17**
 (58) **Field of Classification Search** D15/1-5,
 D15/17, 14; 123/41.7, 198 E, 549, 661, 667,
 123/308; 46/39, 78, 249
 See application file for complete search history.

D458,613 S 6/2002 Scott et al.
 D460,083 S 7/2002 Rosse
 D475,065 S * 5/2003 Shimizu et al. D15/1
 D506,760 S * 6/2005 Lin et al. D15/1
 2002/0035824 A1 3/2002 Ferris et al.
 2002/0144495 A1 10/2002 Suglyama et al.
 2002/0166313 A1 11/2002 Gloudemans et al.
 2002/0189225 A1 12/2002 Nicolay et al.
 2003/0061792 A1 4/2003 Fillman et al.
 2003/0070408 A1 4/2003 Keane
 2003/0163981 A1 9/2003 Osborne
 2003/0217540 A1 11/2003 Osborne
 2003/0217541 A1 11/2003 Osborne et al.
 2004/0083701 A1 5/2004 Brower
 2004/0128970 A1 7/2004 Gazlay
 2004/0187464 A1 9/2004 Osborne
 2004/0194443 A1 10/2004 Osborne et al.

* cited by examiner

Primary Examiner—Stella Reid
Assistant Examiner—Mark Goodwin
 (74) *Attorney, Agent, or Firm*—Carr & Ferrell LLP

(56) **References Cited**
 U.S. PATENT DOCUMENTS

D290,859 S 7/1987 Nagode et al.
 D304,728 S 11/1989 Piorkowski
 D305,432 S * 1/1990 Hashigaki D15/1
 D307,147 S * 4/1990 Sasaki et al. D15/1
 D331,243 S 11/1992 Woodhouse
 D353,381 S * 12/1994 Yoshida et al. D15/1
 D361,771 S 8/1995 Ledingham
 D367,070 S * 2/1996 Maeda et al. D15/1
 D375,963 S 11/1996 Braun et al.
 D393,863 S 4/1998 Wolf
 D395,660 S 6/1998 Soefje et al.
 D396,045 S * 7/1998 Neeley D15/1
 D396,476 S * 7/1998 Shimizu D15/1
 D422,605 S 4/2000 Danthois
 D424,070 S 5/2000 Danthois
 D442,972 S 5/2001 Wolf
 D443,280 S * 6/2001 Shimizu D15/1
 D451,931 S 12/2001 Abramson et al.
 D458,612 S 6/2002 Scott et al.

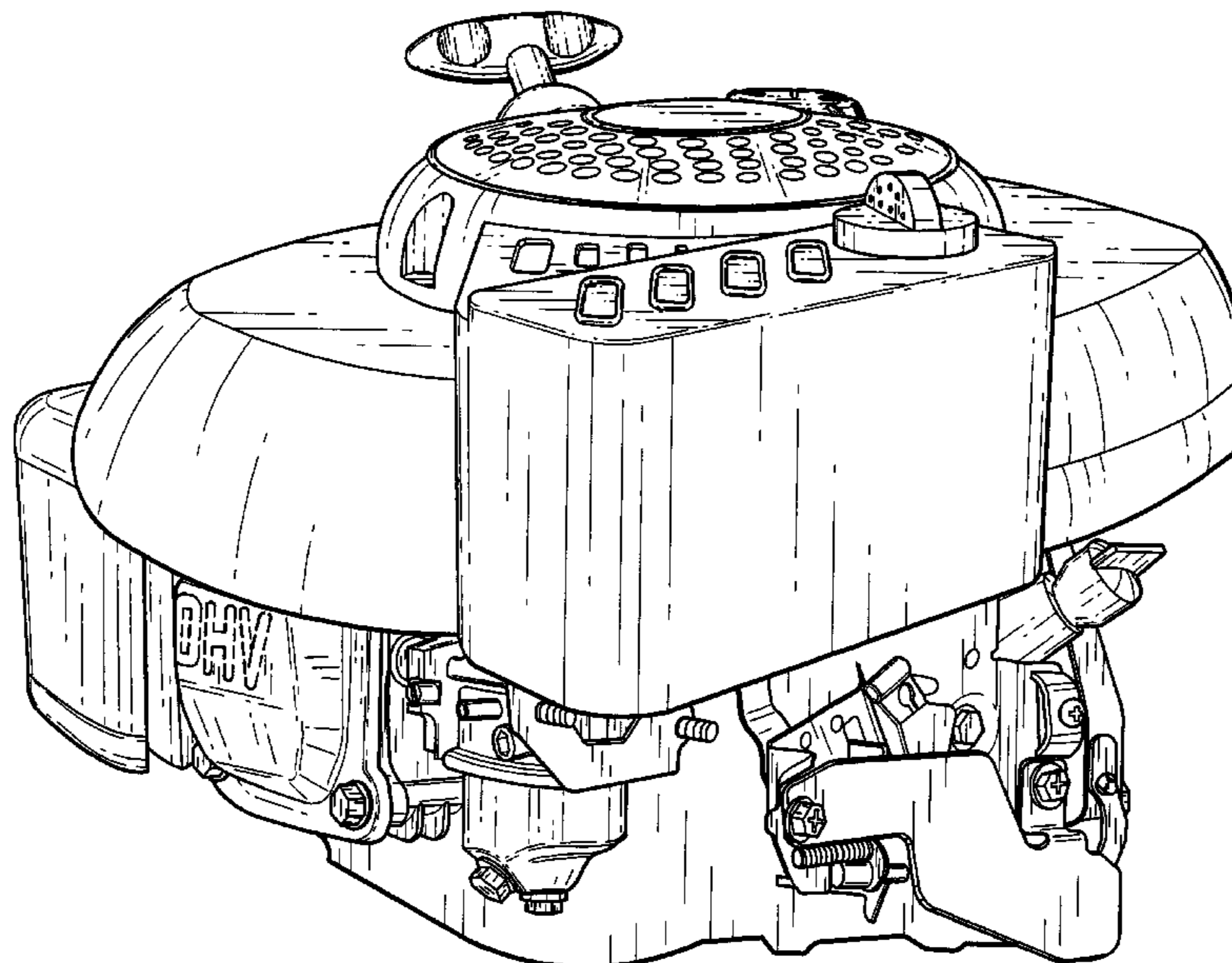
(57) **CLAIM**

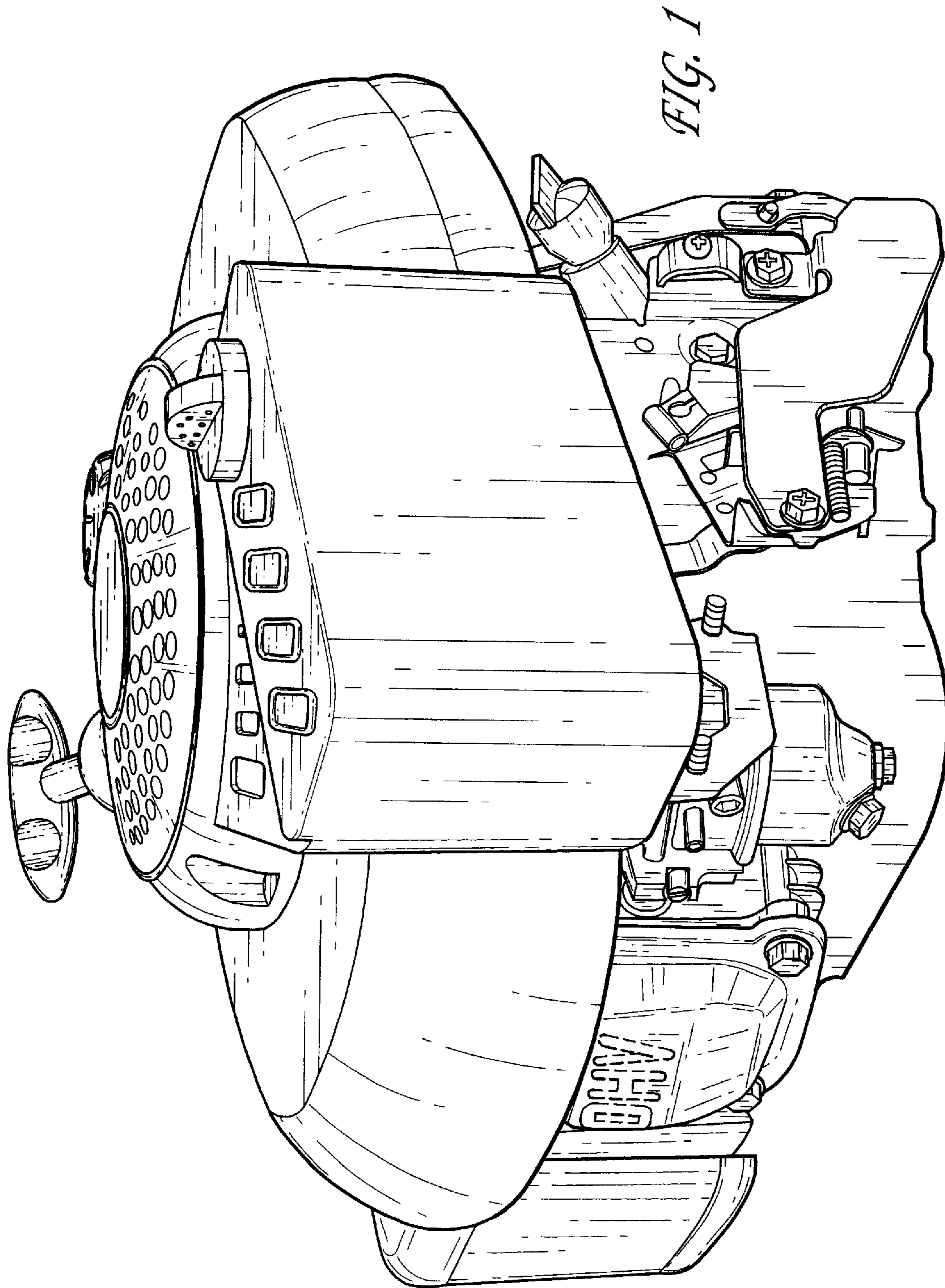
The ornamental design for the lawn mower engine, as shown and described.

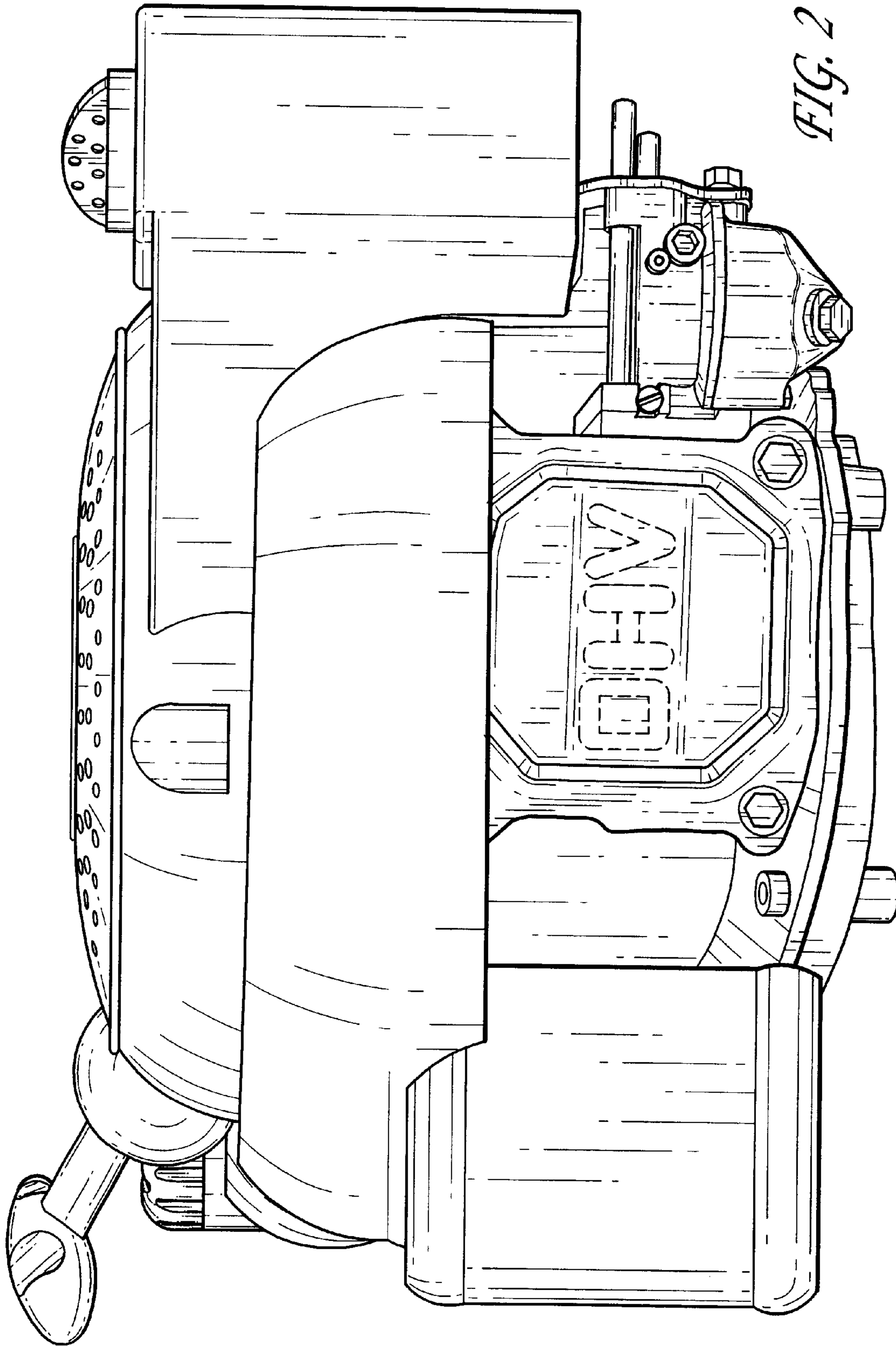
DESCRIPTION

FIG. 1 is a perspective view of lawn mower engine showing my new design;
 FIG. 2 is a front view thereof;
 FIG. 3 is a rear view thereof;
 FIG. 4 is a right side view thereof;
 FIG. 5 is a left side view thereof; and,
 FIG. 6 is a top view thereof.
 The bottom view is non-claimed subject matter.
 The broken line showing in FIG. 2 is for illustrative purposes only and forms no part of the claimed design.

1 Claim, 6 Drawing Sheets







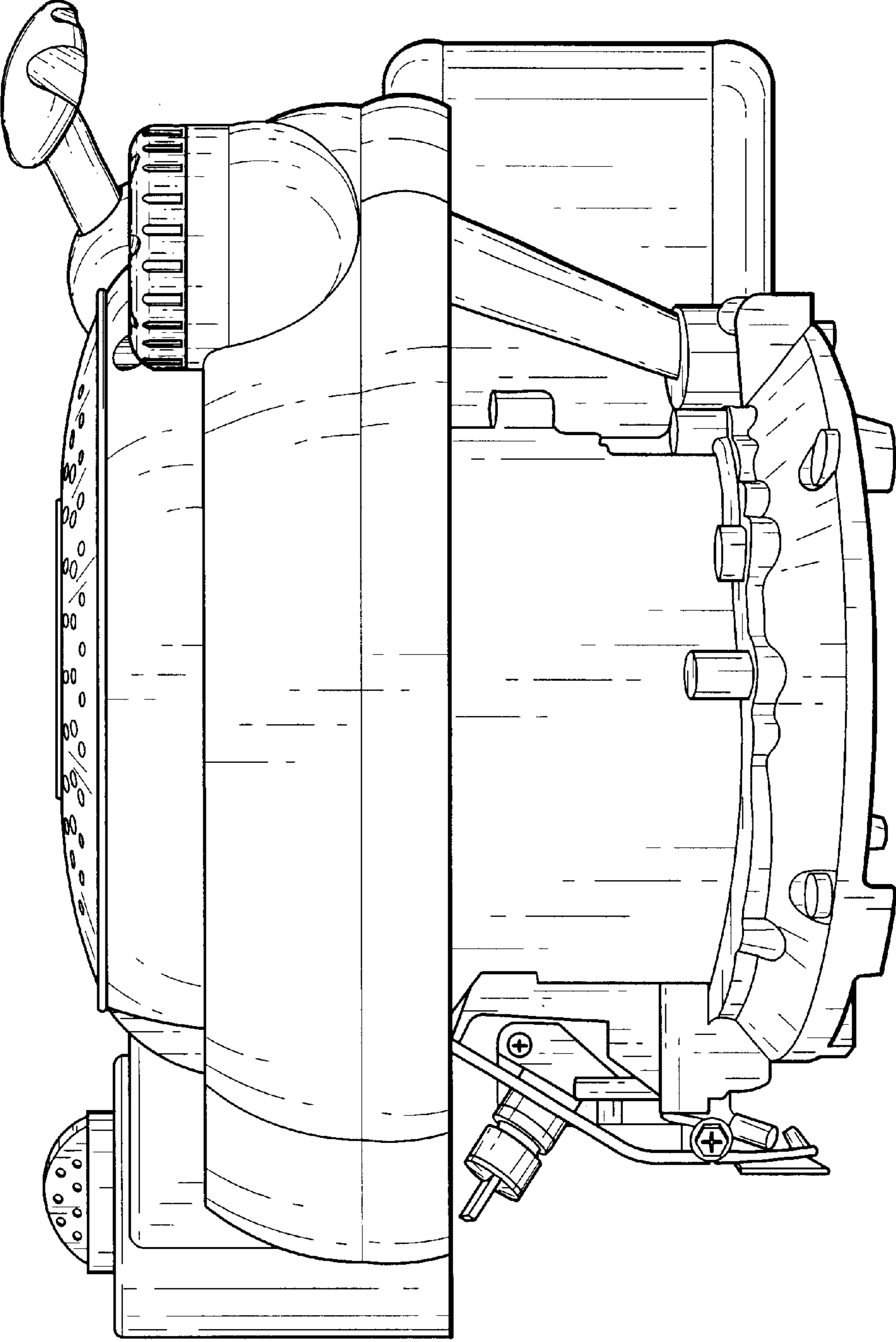


FIG. 3

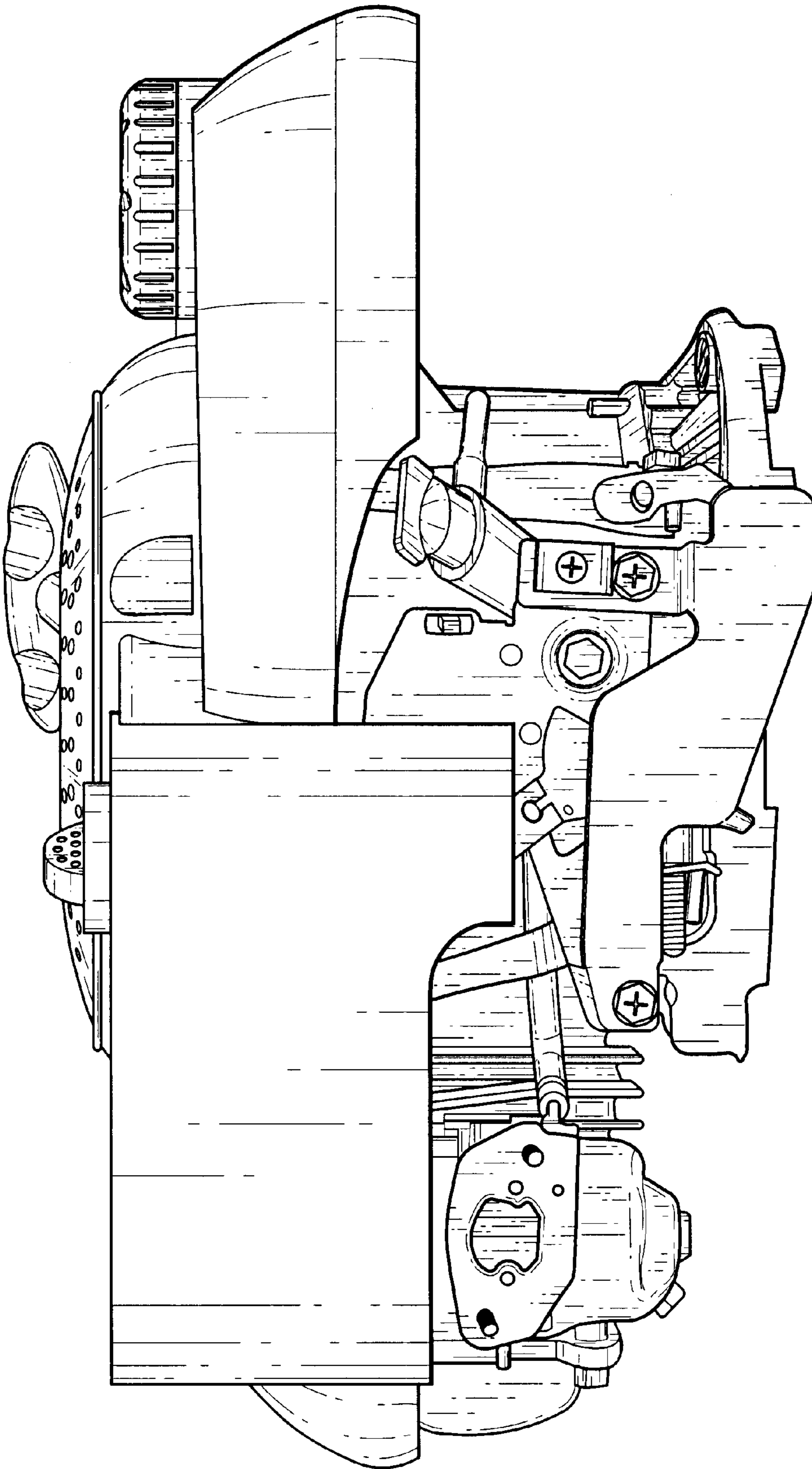


FIG. 4

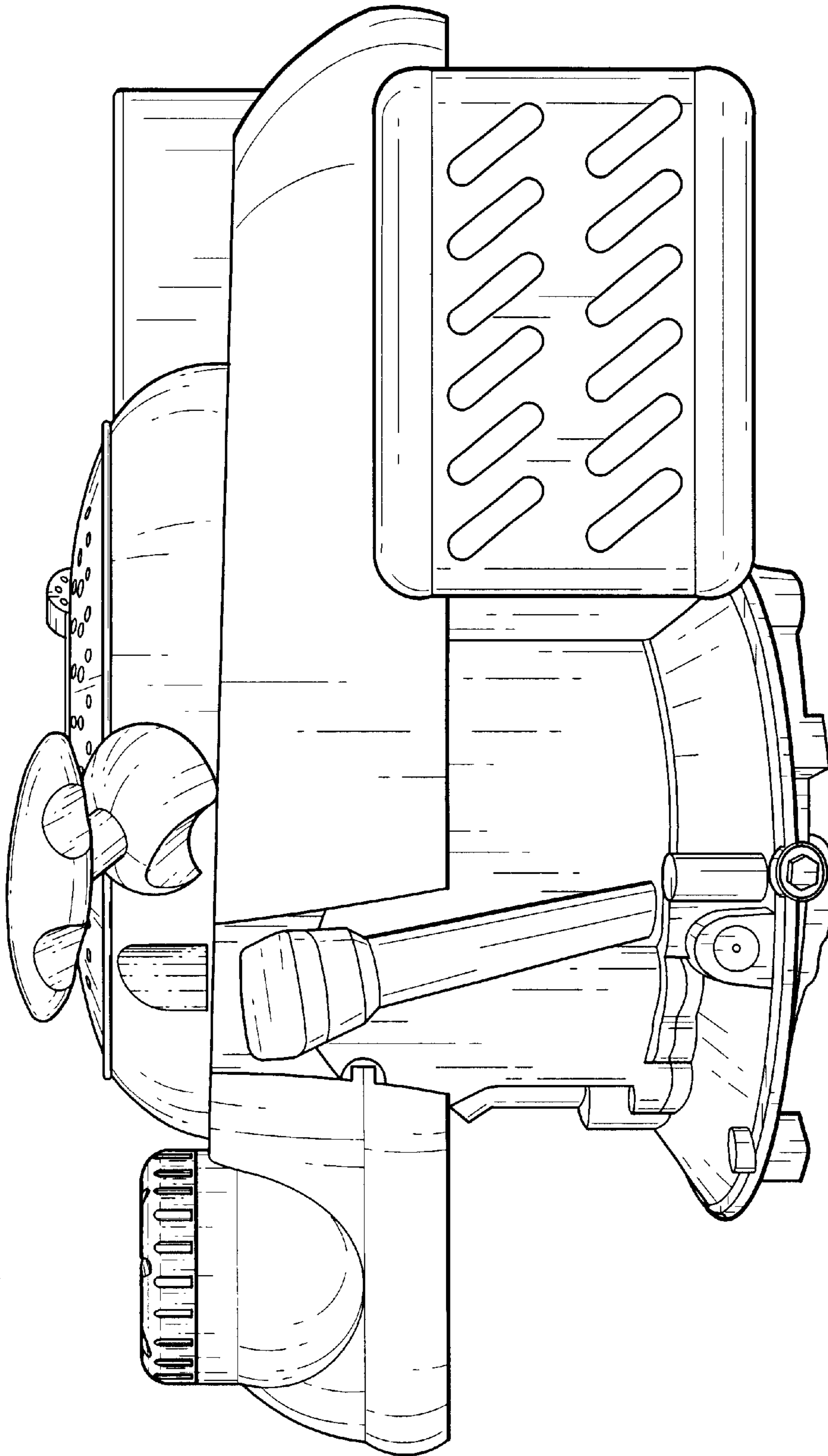


FIG. 5

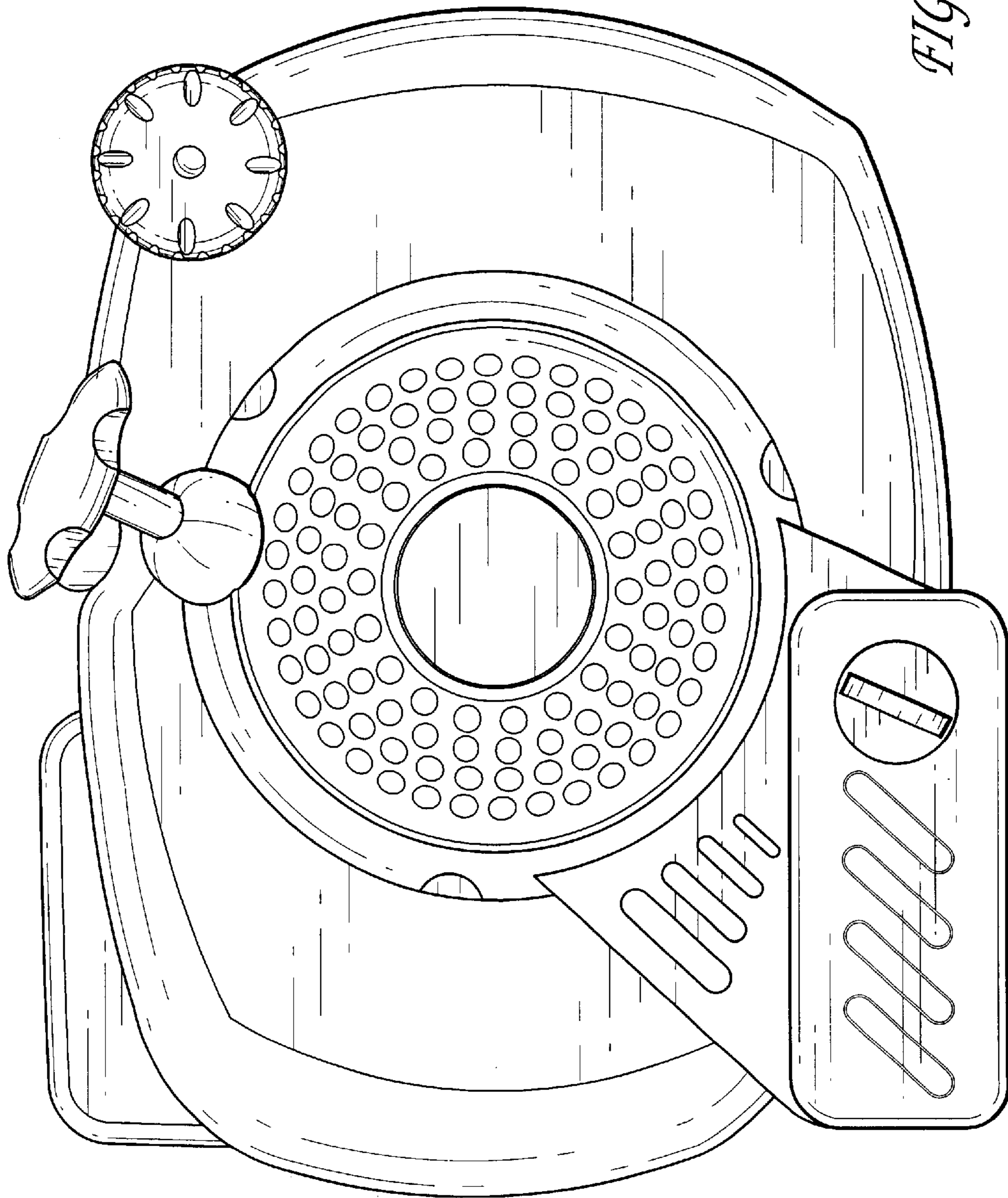


FIG. 6