

US00D528543S

(12) **United States Design Patent**
Ogasawara

(10) **Patent No.:** **US D528,543 S**

(45) **Date of Patent:** **** Sep. 19, 2006**

(54) **ARITHMETIC AND CONTROL UNIT**

(75) **Inventor:** **Shinichi Ogasawara**, Tokyo (JP)

(73) **Assignee:** **Sony Computer Entertainment, Inc.**,
Tokyo (JP)

(**) **Term:** **14 Years**

D396,889 S	*	8/1998	Smith	D21/333
D413,209 S	*	8/1999	Jarke	D6/406.3
D430,222 S		8/2000	Goto		
D434,087 S		11/2000	Goto		
D452,280 S	*	12/2001	Ota et al.	D21/329
D461,850 S	*	8/2002	Hussaini et al.	D21/333
D481,389 S	*	10/2003	Owen	D14/358
D487,466 S		3/2004	Yokota		

(21) **Appl. No.:** **29/216,843**

(22) **Filed:** **Nov. 10, 2004**

(30) **Foreign Application Priority Data**

May 10, 2004 (JP) D2004-013728

(51) **LOC (8) Cl.** **14-02**

(52) **U.S. Cl.** **D14/356**; D21/329

(58) **Field of Classification Search** D14/125,
D14/135-7, 156, 167, 239-40, 242-3, 256,
D14/299, 300-1, 313, 348-9, 351-4, 356-368,
D14/361, 363, 366-8, 385, 401, 433-434;
D21/324, 329, 333; 361/679, 685-6; 455/73,
455/90.3, 347; D7/550.1, 586-7

See application file for complete search history.

(56) **References Cited**

U.S. PATENT DOCUMENTS

D50,387 S	*	2/1917	Ittig	D7/550.1
4,969,647 A	*	11/1990	Mical et al.	463/31
5,207,426 A	*	5/1993	Inoue et al.	463/36
D364,151 S	*	11/1995	Yamazaki	D14/434
D368,936 S	*	4/1996	Goto	D14/401
D375,304 S	*	11/1996	Takahata et al.	D14/435
D379,971 S	*	6/1997	Jones et al.	D14/347
D382,603 S		8/1997	Goto		
D393,884 S	*	4/1998	Hayami	D21/332

FOREIGN PATENT DOCUMENTS

JP	1193365 S	1/2004
JP	1196778 S	2/2004
JP	1204226 S	5/2004

* cited by examiner

Primary Examiner—Robin Webster

Assistant Examiner—Karen E. Patterson

(74) *Attorney, Agent, or Firm*—Rader, Fishman & Grauer
PLLC

(57) **CLAIM**

The ornamental design for an arithmetic and control unit, as shown and described.

DESCRIPTION

FIG. 1 is a perspective view of an arithmetic and control unit showing my new design;

FIG. 2 is a front elevational view thereof;

FIG. 3 is a left side elevational view thereof;

FIG. 4 is a right side elevational view thereof;

FIG. 5 is a top plan view thereof; and,

FIG. 6 is a bottom plan view thereof.

Portions of FIGS. 1-6 that are shown as broken lines are for illustrative purpose only and form no part of the claimed design.

1 Claim, 4 Drawing Sheets

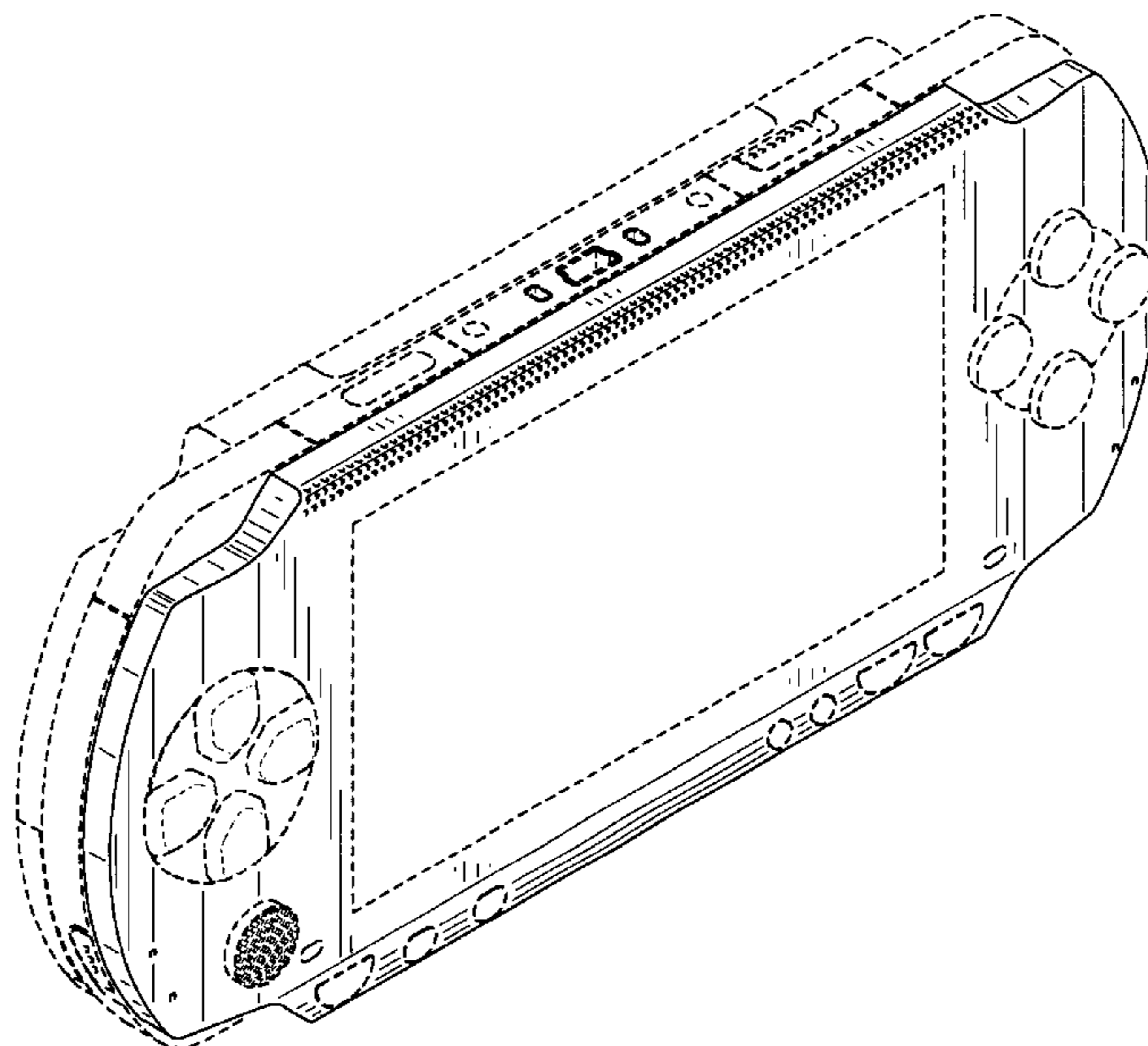


FIG.1

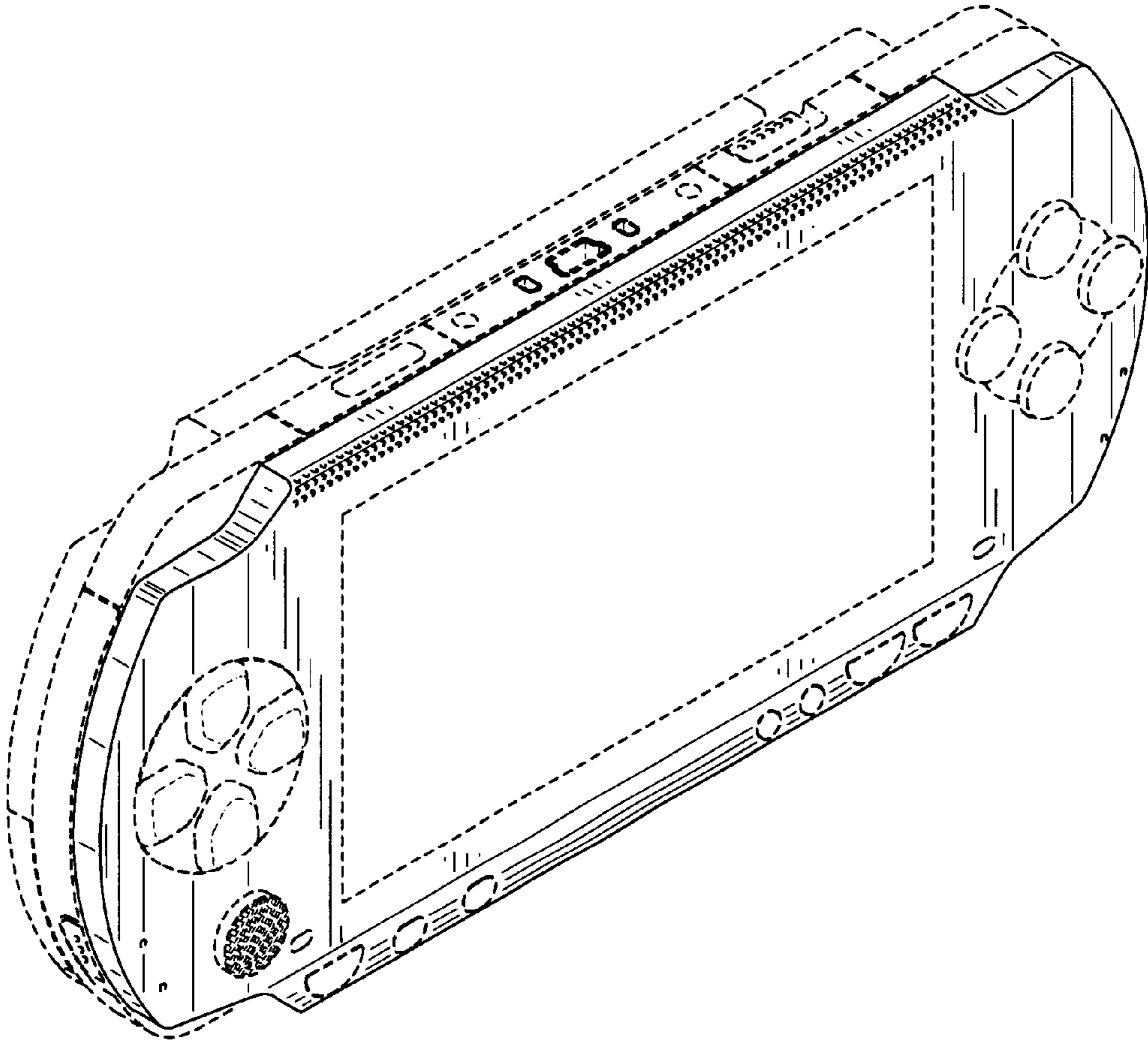


FIG.2

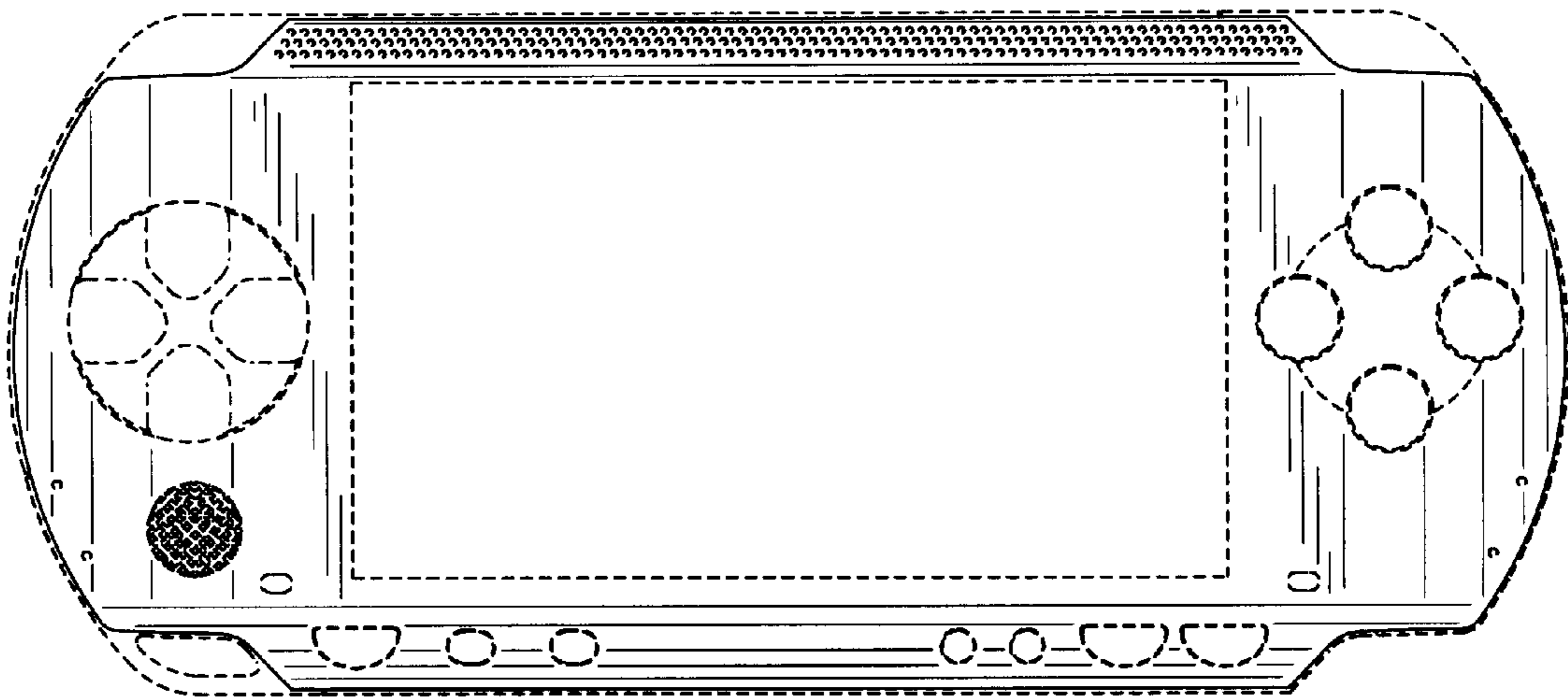


FIG.3

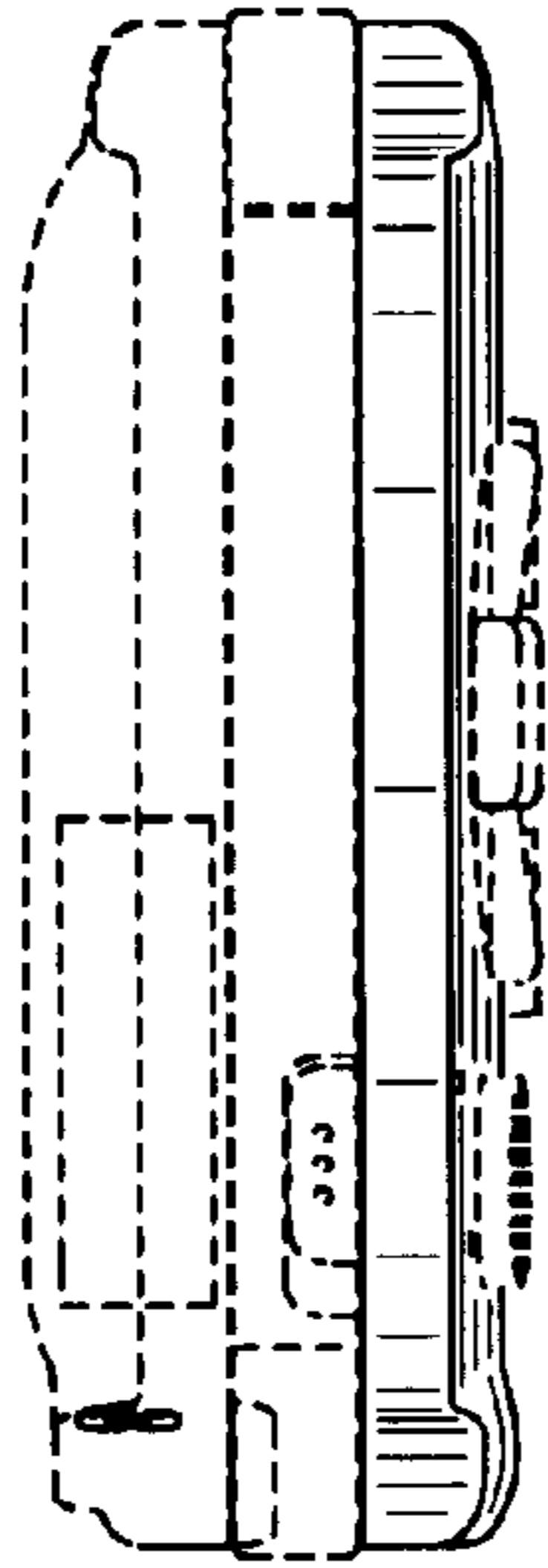


FIG.4

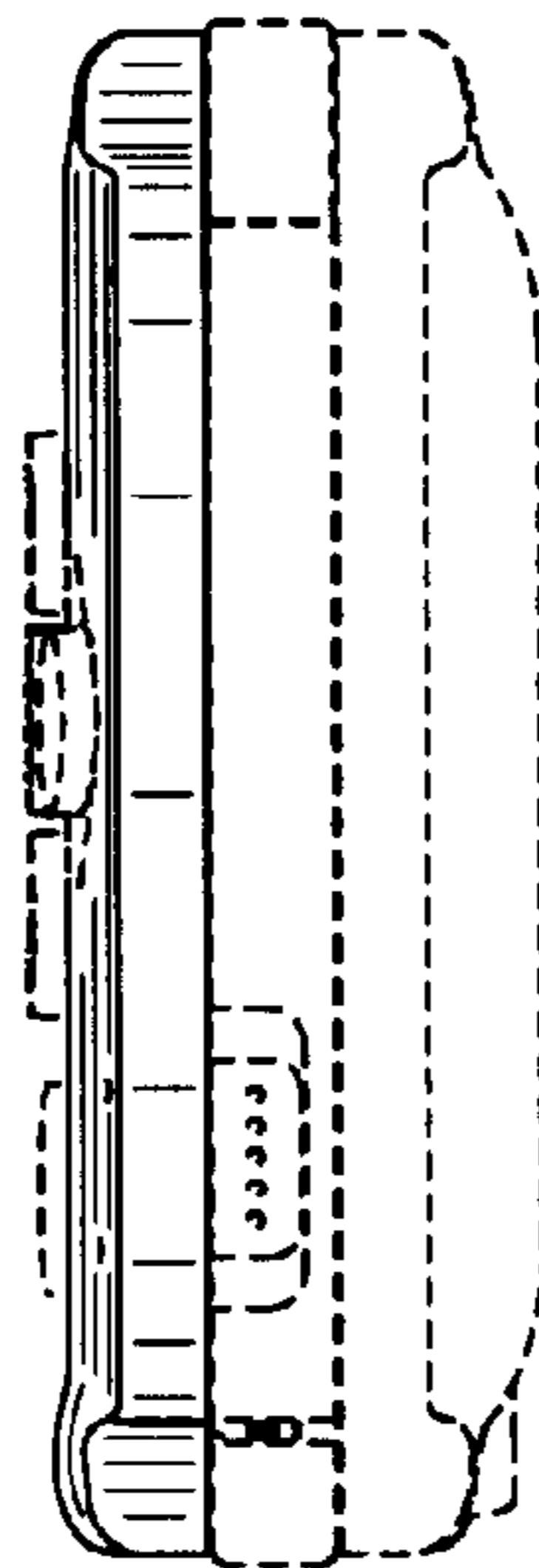


FIG.5

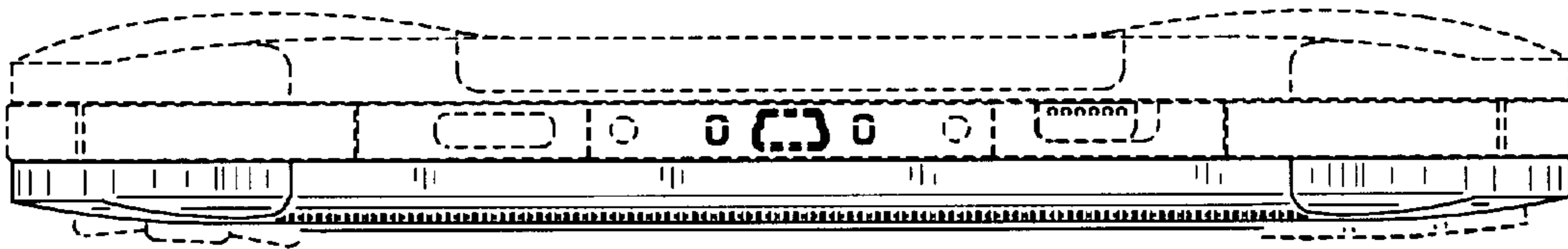


FIG.6

