

US00D528541S

(12) **United States Design Patent**
Maskatia

(10) **Patent No.:** **US D528,541 S**

(45) **Date of Patent:** **** Sep. 19, 2006**

(54) **PORTABLE COMPUTER**

(75) Inventor: **Arif Maskatia**, Milpitas, CA (US)

(73) Assignee: **Acer, Inc.**, Taipei Hsien (TW)

(**) Term: **14 Years**

(21) Appl. No.: **29/235,701**

(22) Filed: **Aug. 4, 2005**

(51) **LOC (8) Cl.** **14-02**

(52) **U.S. Cl.** **D14/315; D14/341; D14/316**

(58) **Field of Classification Search** **D14/315-323,**
D14/341-346; D18/1, 2, 7, 11; 235/145 A,
235/145 R; 248/460; 345/156, 168, 169,
345/172, 173; 361/680-686; D19/26, 59,
D19/60; 178/18.03; 434/307 R, 317, 308,
434/309; 349/12

See application file for complete search history.

(56) **References Cited**

U.S. PATENT DOCUMENTS

- 6,262,885 B1 * 7/2001 Emma et al. 361/683
- 6,464,195 B1 * 10/2002 Hildebrandt 248/460
- 6,504,707 B1 * 1/2003 Agata et al. 361/681
- D482,687 S * 11/2003 Chu D14/316
- 6,665,175 B1 * 12/2003 deBoer et al. 361/681
- D499,725 S * 12/2004 Lee D14/316
- 2003/0103324 A1 * 6/2003 Gallivan 361/681

- 2004/0228076 A1 * 11/2004 Clapper 361/681
- 2005/0063145 A1 * 3/2005 Homer et al. 361/683
- 2005/0105264 A1 * 5/2005 Chen 361/683
- 2005/0128695 A1 * 6/2005 Han 361/683

OTHER PUBLICATIONS

“Design Culture Now” Copyright Smithsonian Institute, 2000 p. 38 (Vadem Clio Computer, 1997).*

* cited by examiner

Primary Examiner—Freda S. Nunn

(74) *Attorney, Agent, or Firm*—Kirschstein, et al.

(57) **CLAIM**

The ornamental design for portable computer, as shown and described.

DESCRIPTION

FIG. 1 is a perspective view of portable computer showing my new design;

FIG. 2 is a front elevational view thereof;

FIG. 3 is a rear elevational view thereof;

FIG. 4 is a left side elevational view thereof;

FIG. 5 is a right side elevational view thereof;

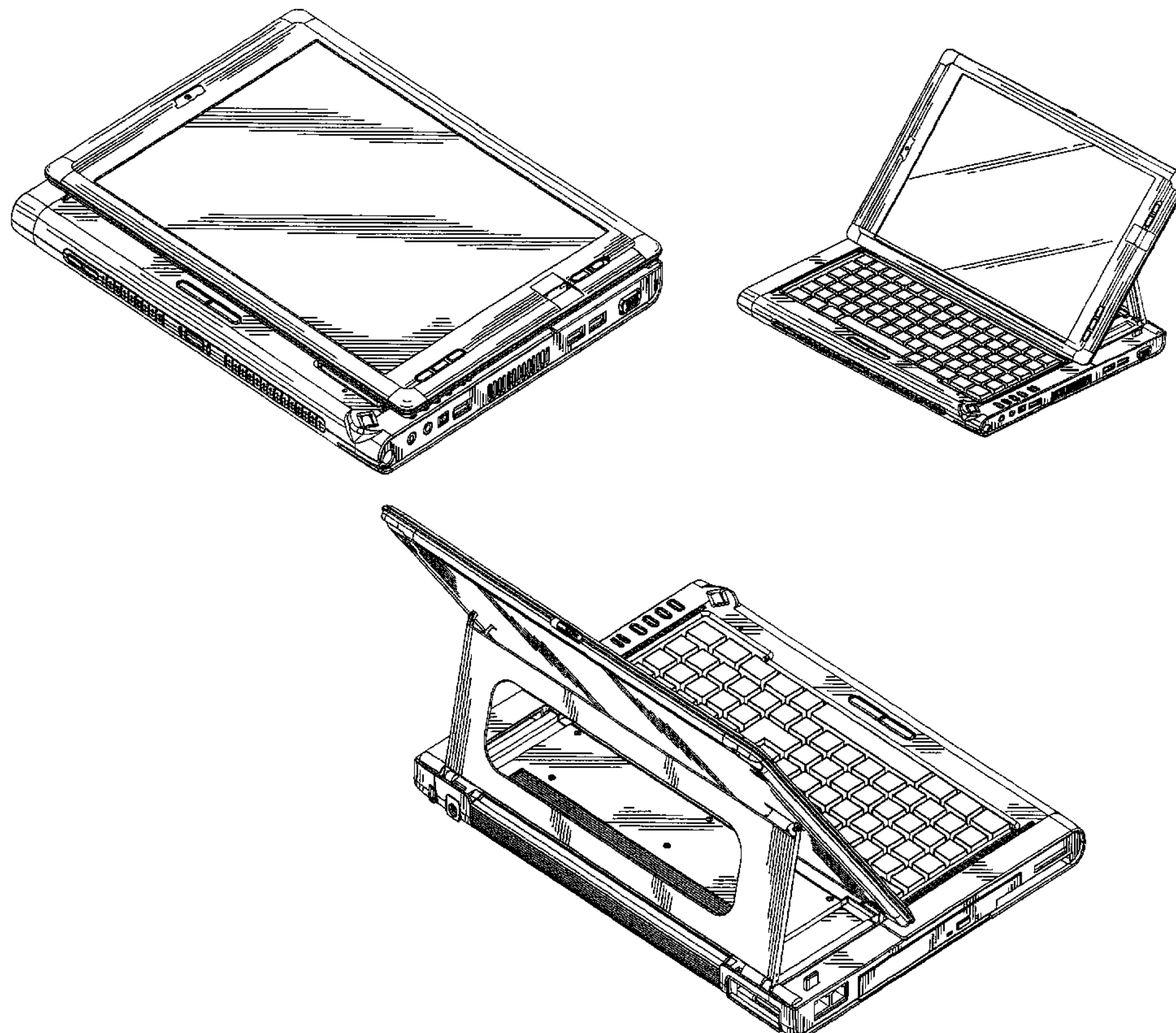
FIG. 6 is a top plan view thereof;

FIG. 7 is a bottom plan view thereof;

FIG. 8 is another perspective view thereof; and,

FIG. 9 is still another perspective view thereof.

1 Claim, 8 Drawing Sheets



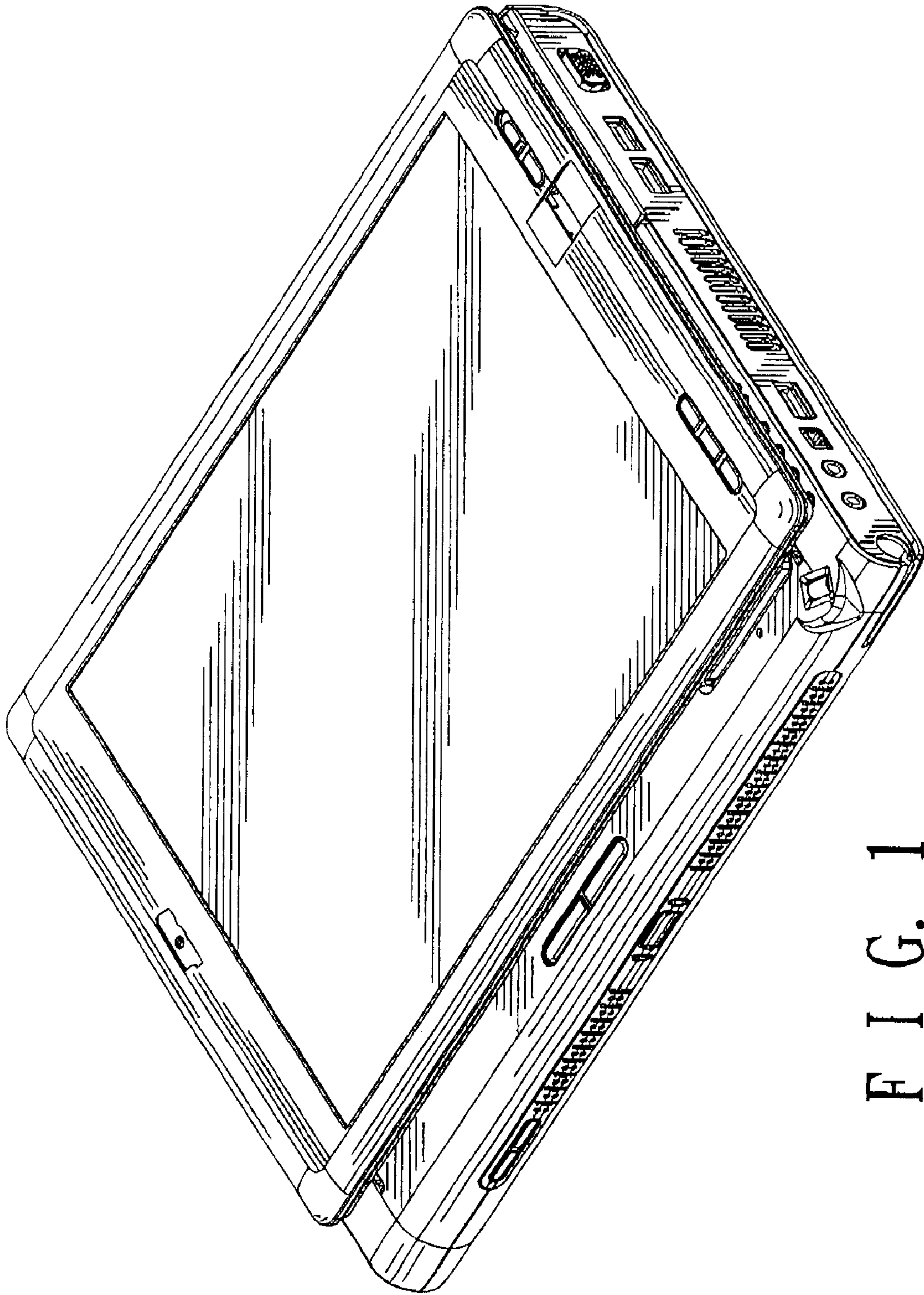


FIG. 1

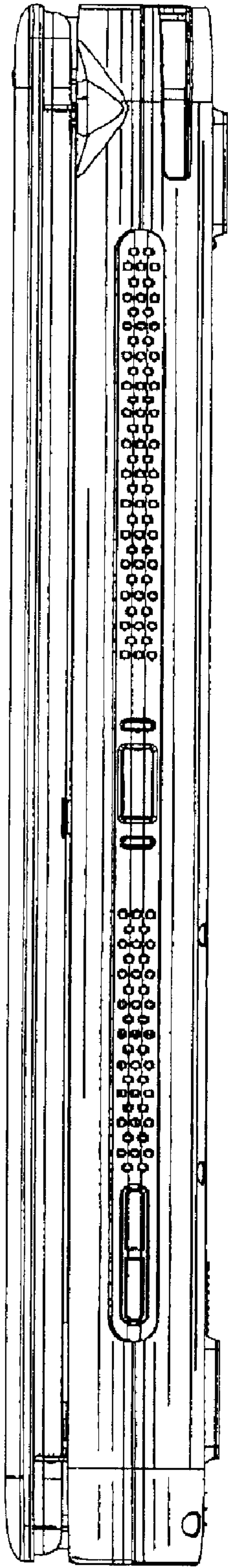


FIG. 2

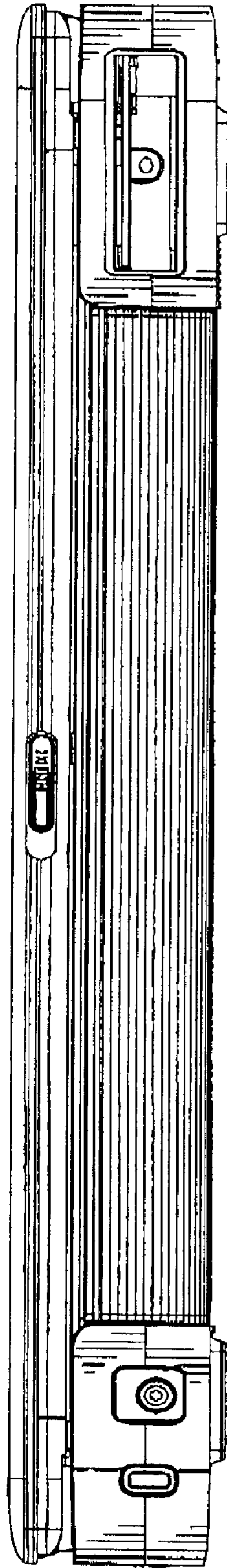


FIG. 3

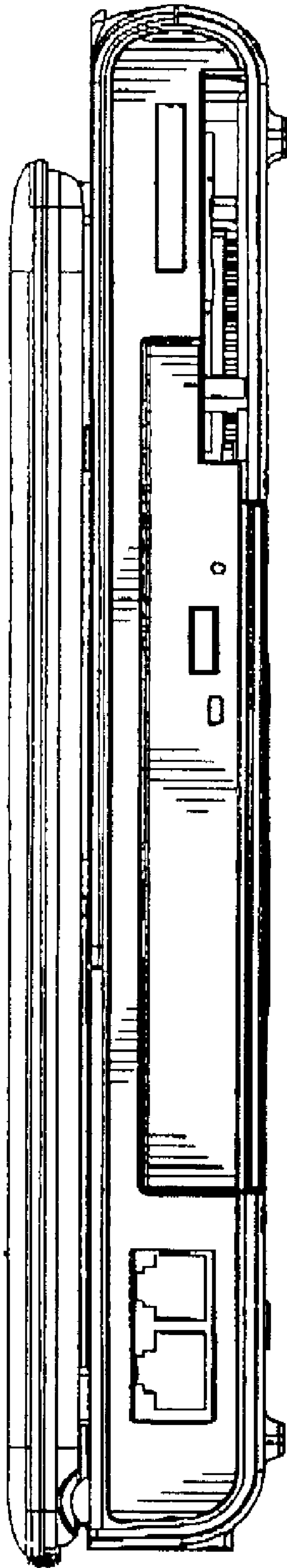


FIG. 4

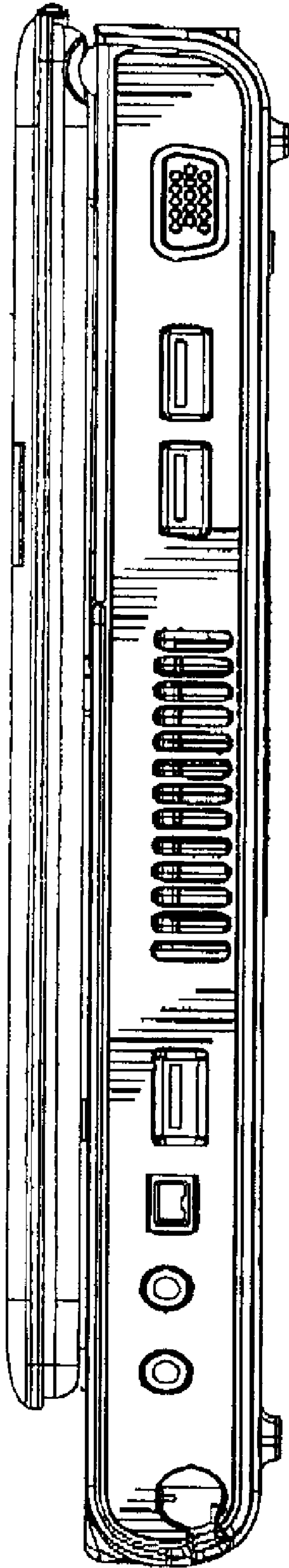


FIG. 5

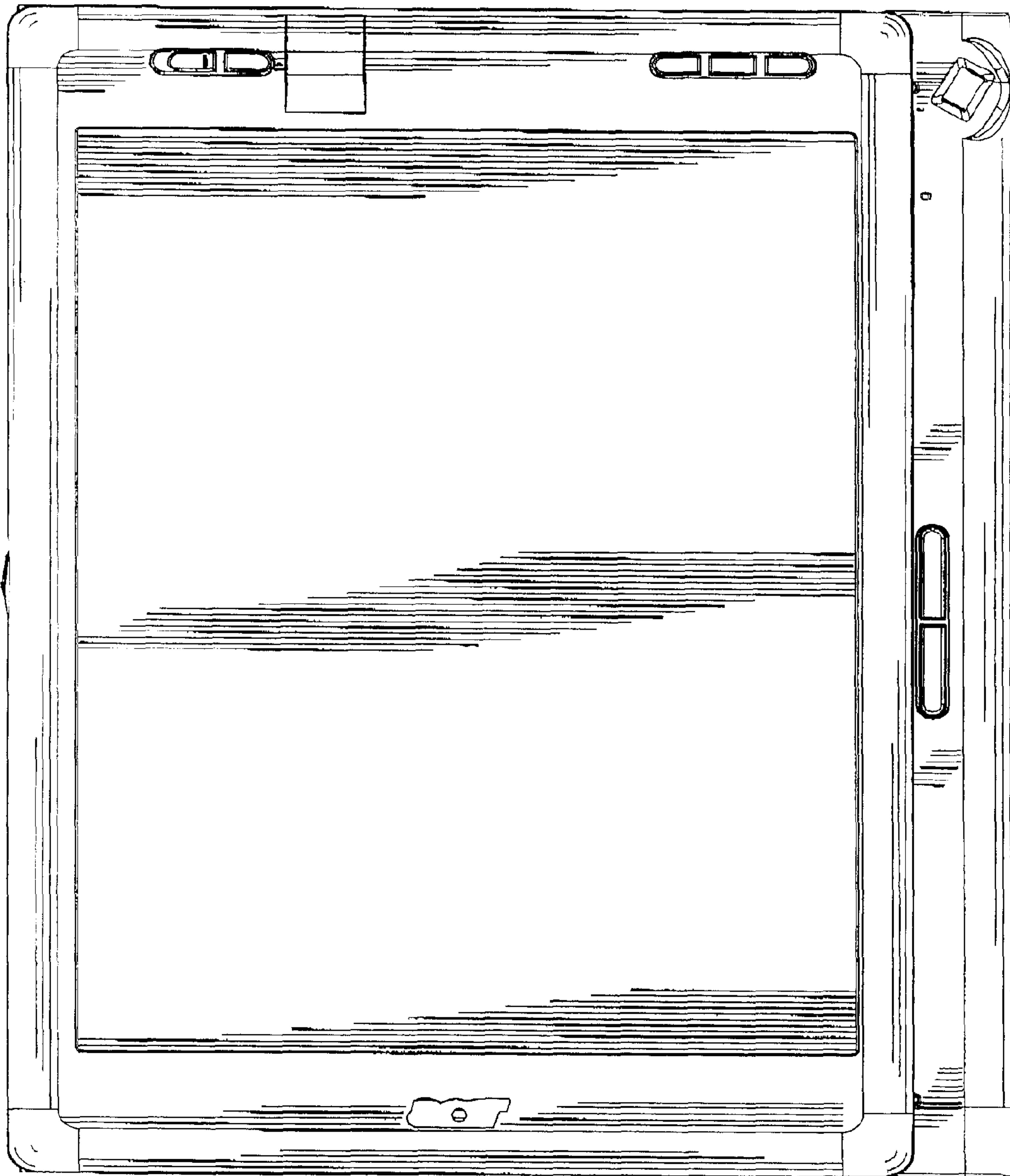


FIG. 6

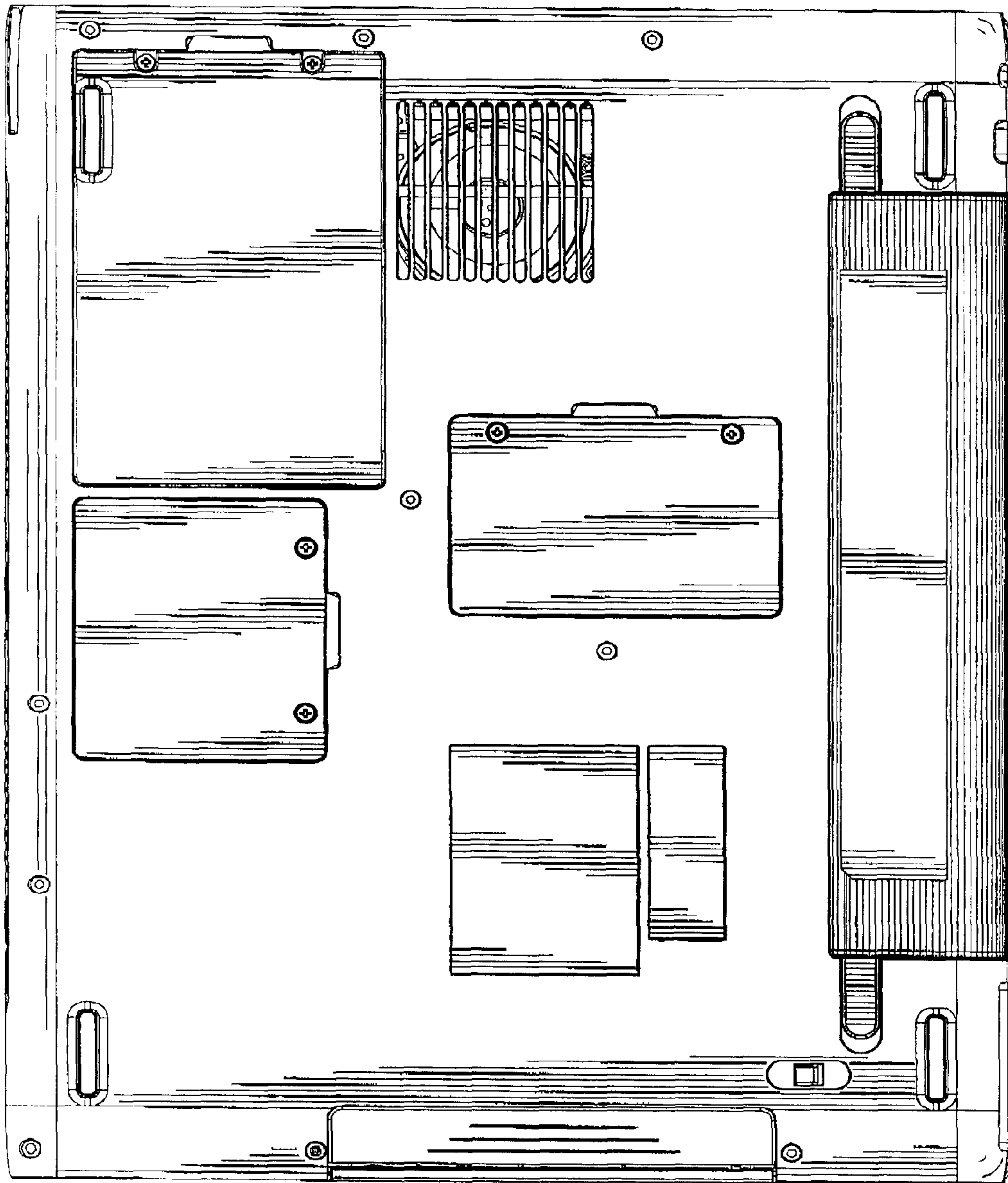
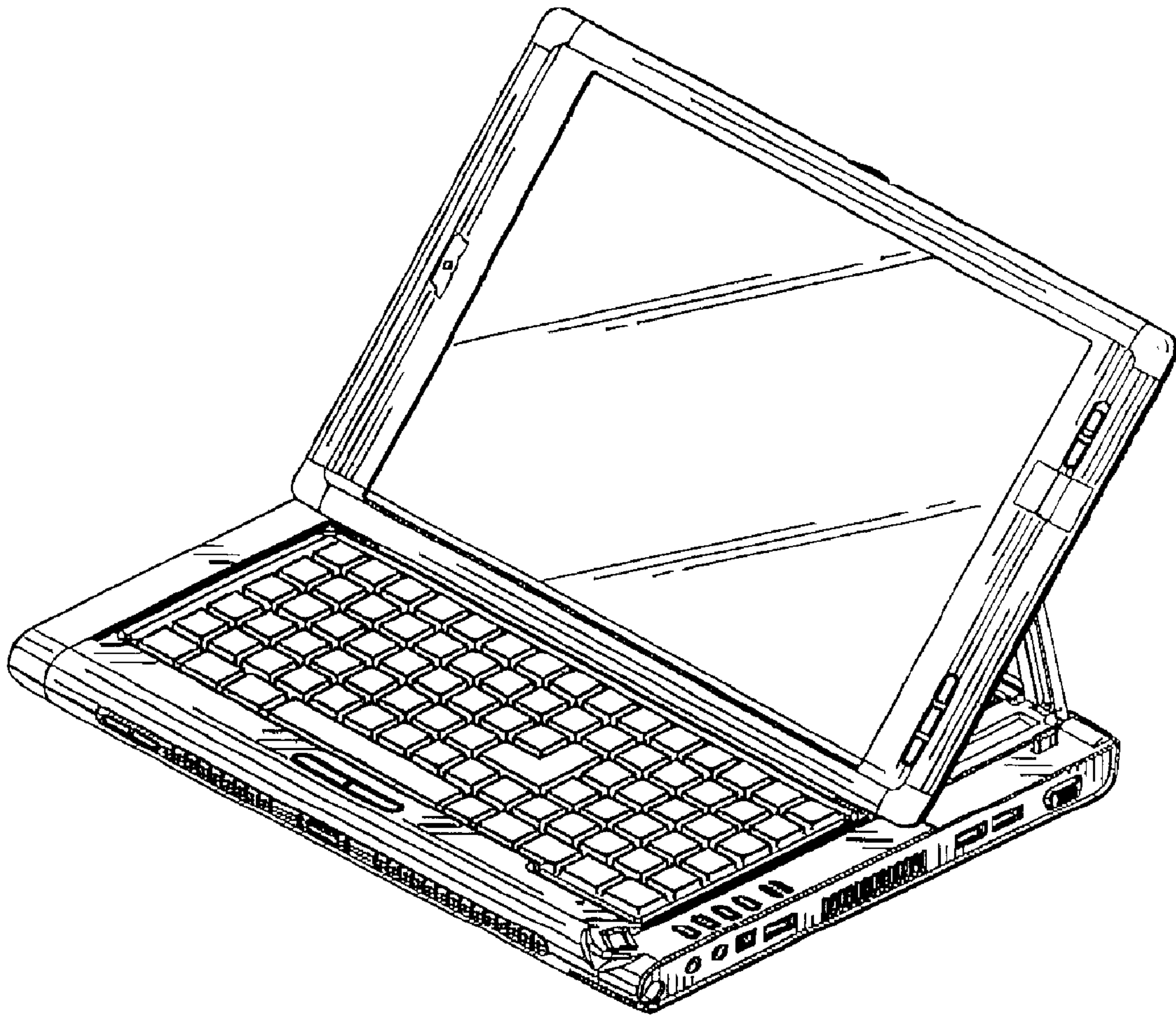


FIG. 7



F I G. 8

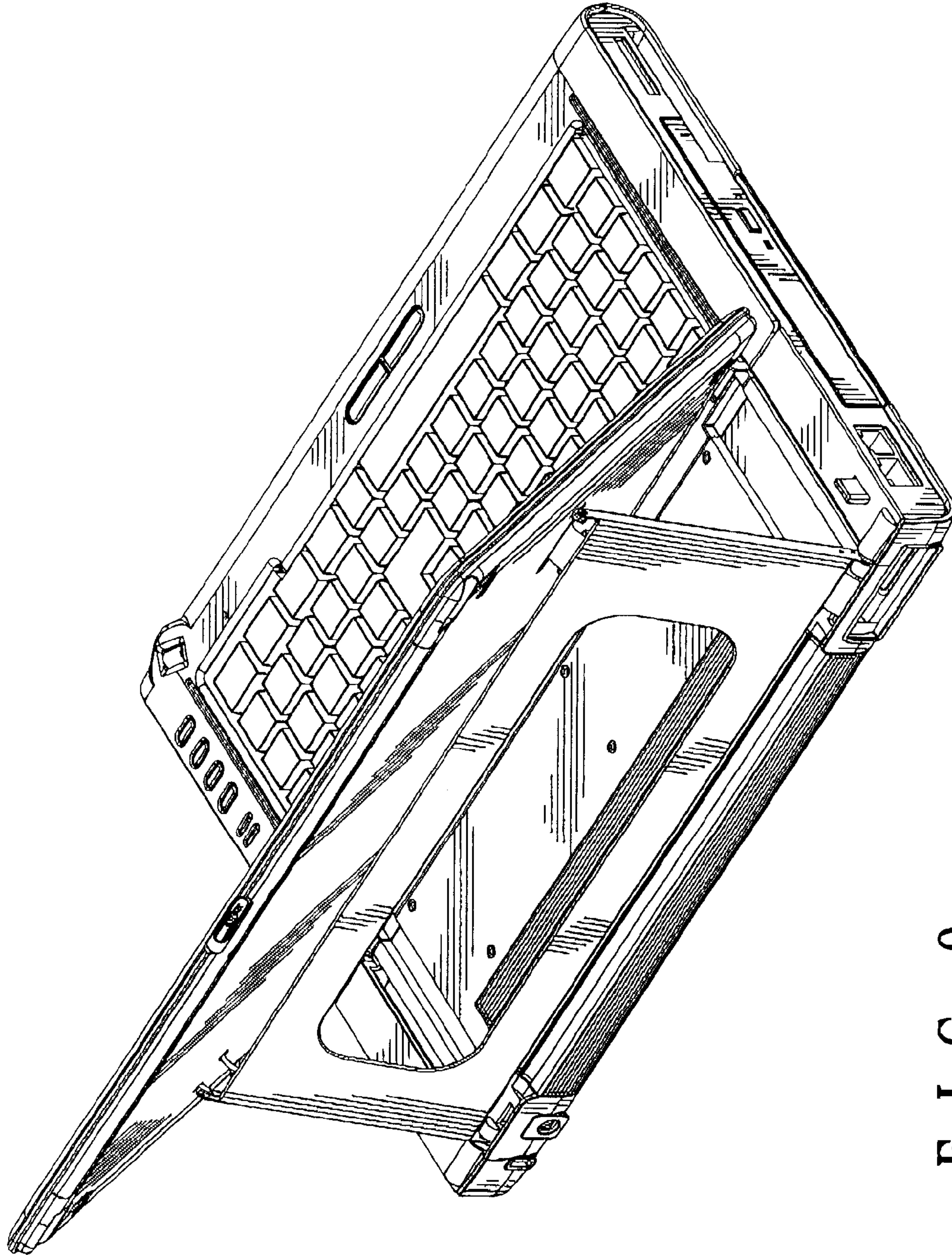


FIG. 9