

US00D528540S

(12) **United States Design Patent**
Sugihara et al.

(10) **Patent No.:** **US D528,540 S**
(45) **Date of Patent:** **** Sep. 19, 2006**

(54) **COMPUTER SERVER**

D499,096 S * 11/2004 Deng D14/353

(75) Inventors: **Yuichi Sugihara**, Tokyo (JP);
Kenichiro Matsushita, Tokyo (JP)

FOREIGN PATENT DOCUMENTS

(73) Assignee: **NEC Corporation**, Tokyo (JP)

| | | |
|----|---------|---------|
| JP | 1079800 | 7/2000 |
| JP | 1091972 | 11/2000 |
| JP | 1091973 | 11/2000 |
| JP | 1225901 | 12/2004 |
| JP | 1237276 | 4/2005 |
| JP | 1237579 | 4/2005 |
| JP | 1239143 | 5/2005 |

(**) Term: **14 Years**

(21) Appl. No.: **29/234,173**

* cited by examiner

(22) Filed: **Jul. 13, 2005**

(30) **Foreign Application Priority Data**

Primary Examiner—Freda S. Nunn
(74) *Attorney, Agent, or Firm*—Syefarth Shaw LLP

Jan. 14, 2005 (JP) 2005-000738

(51) **LOC (8) Cl.** **14-02**

(57) **CLAIM**

(52) **U.S. Cl.** **D14/301**

The ornamental design for the computer server, as shown and described.

(58) **Field of Classification Search** D14/349–356,
D14/300, 301, 308; D13/162, 184, 199; 312/223.1–223.2;
360/99.01–99.12; 369/34.01, 36.01; 361/680–686,
361/690–696

DESCRIPTION

See application file for complete search history.

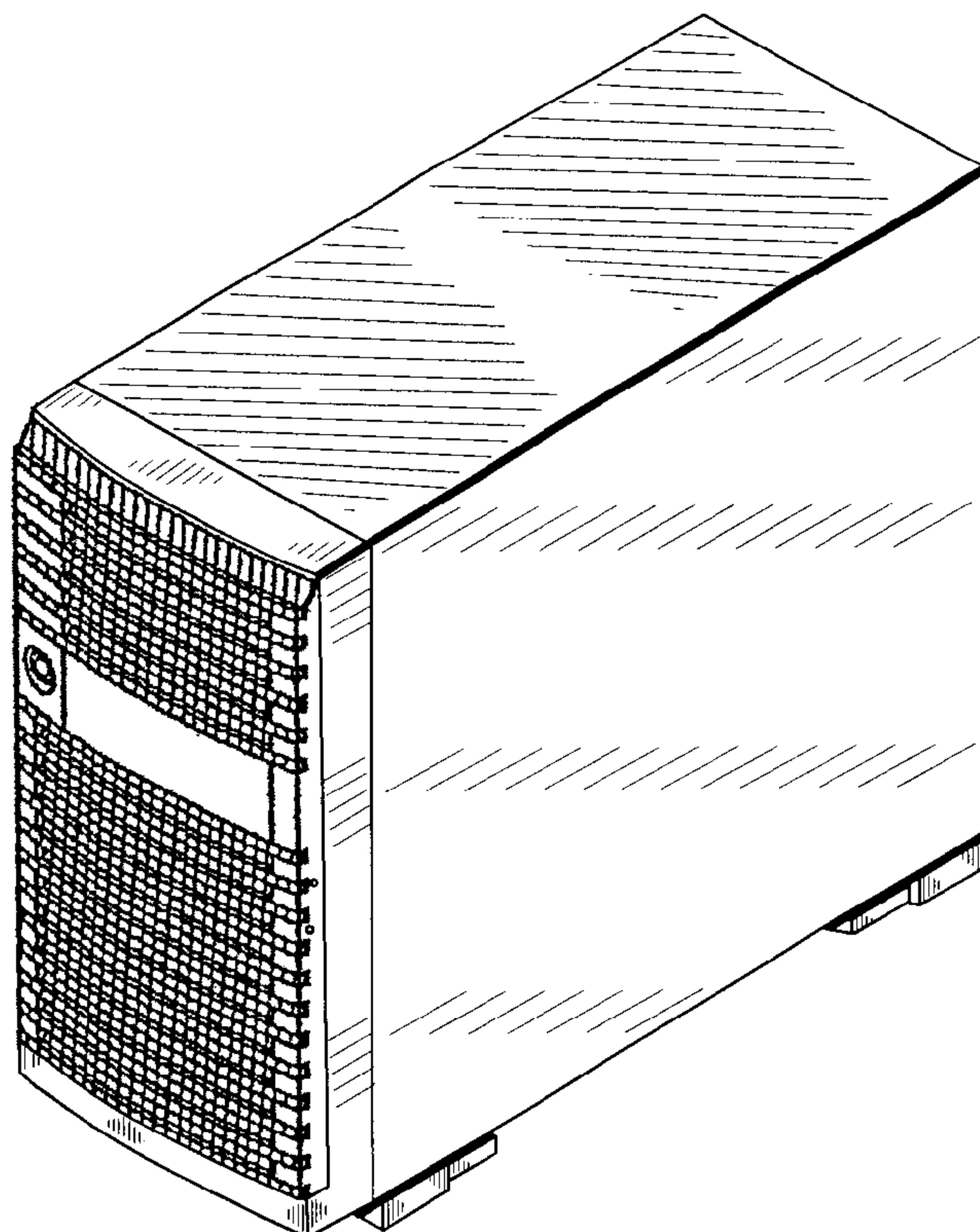
FIG. 1 is a perspective view of the computer server showing our new design with shading to show translucency;
FIG. 2 is a front view of the computer server showing our new design;
FIG. 3 is a rear view thereof;
FIG. 4 is a left side view thereof;
FIG. 5 is a right side view thereof;
FIG. 6 is a top view thereof; and,
FIG. 7 is a bottom view thereof.

(56) **References Cited**

U.S. PATENT DOCUMENTS

| | | | | | |
|--------------|---|---------|------------|-------|-----------|
| D344,931 S | * | 3/1994 | Mousa | | D14/349 |
| 5,884,988 A | * | 3/1999 | Foo et al. | | 312/223.2 |
| 6,296,333 B1 | * | 10/2001 | Lee et al. | | 312/223.2 |
| D469,430 S | * | 1/2003 | Sue et al. | | D14/349 |
| D480,723 S | * | 10/2003 | Lee et al. | | D14/349 |
| D497,615 S | * | 10/2004 | Kim | | D14/349 |

1 Claim, 3 Drawing Sheets



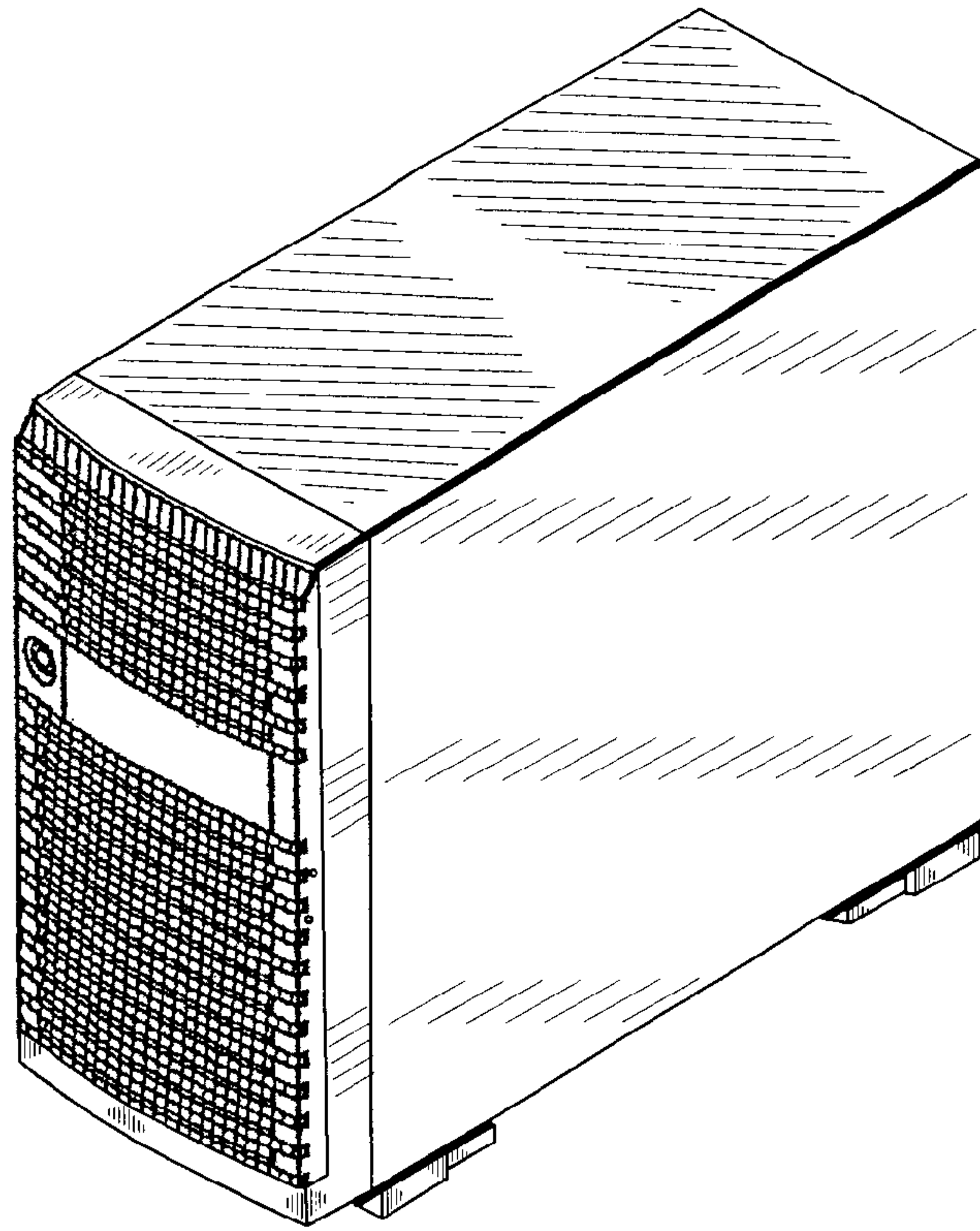


FIG. 1

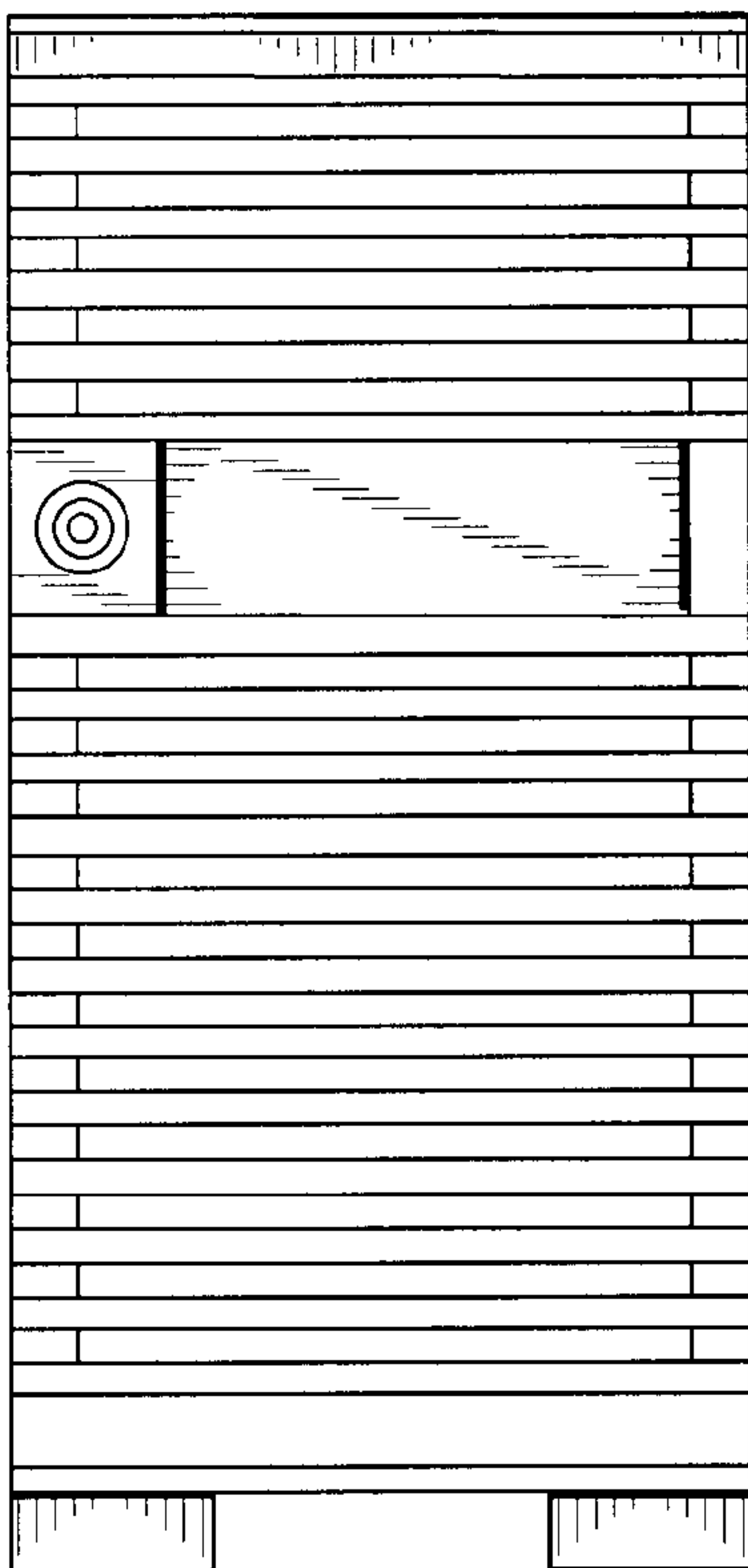


FIG. 2

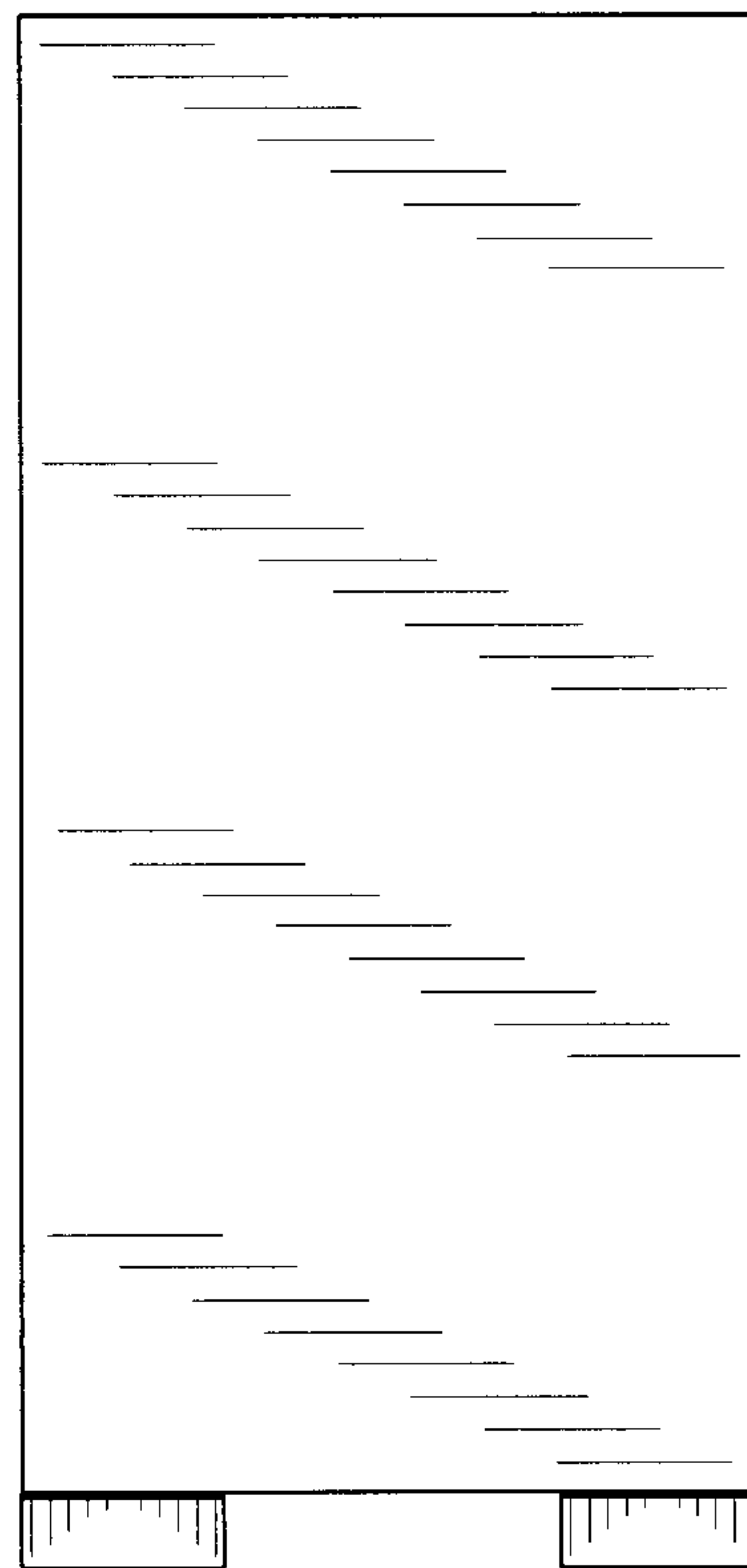


FIG. 3

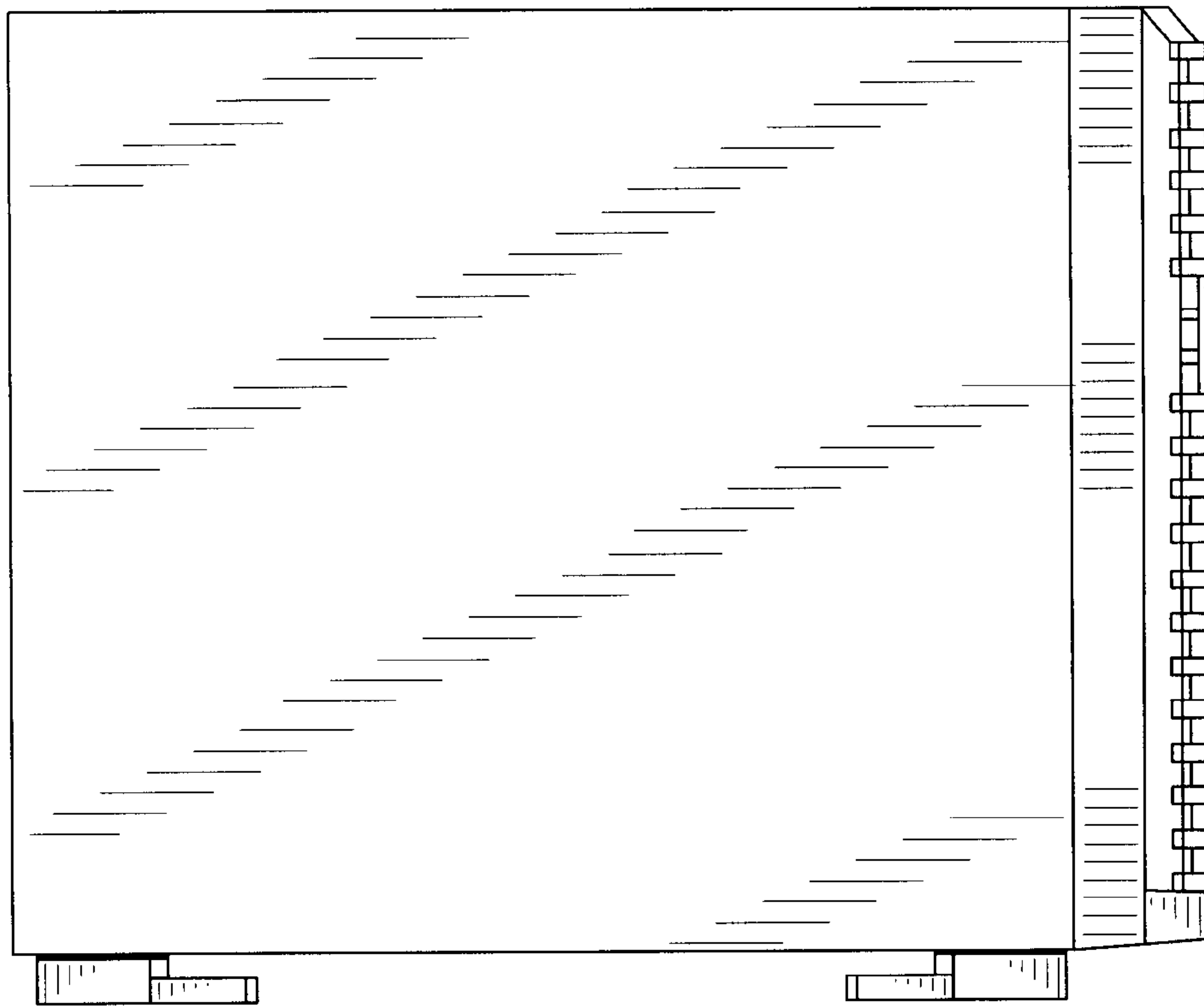


FIG. 4

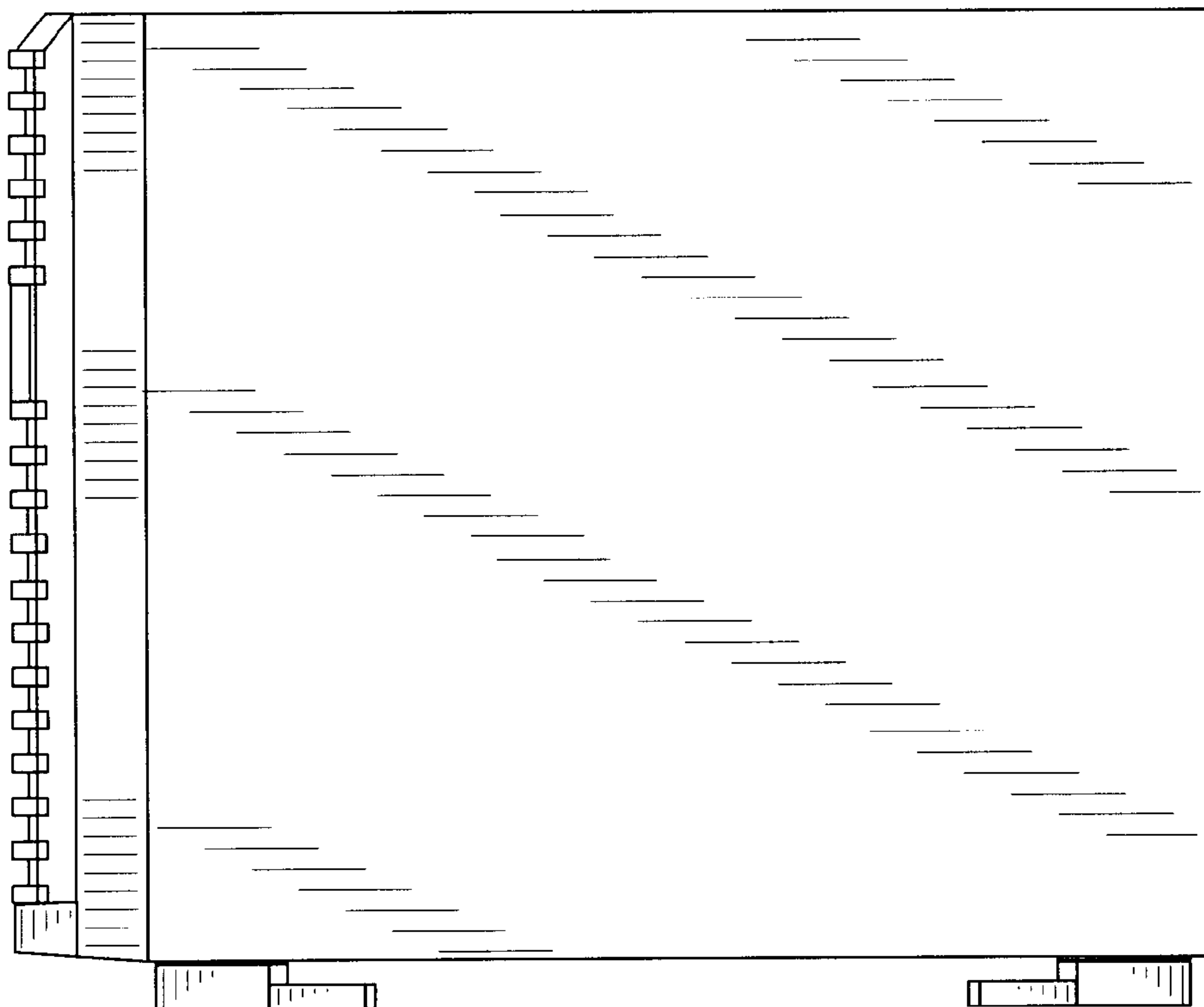


FIG. 5

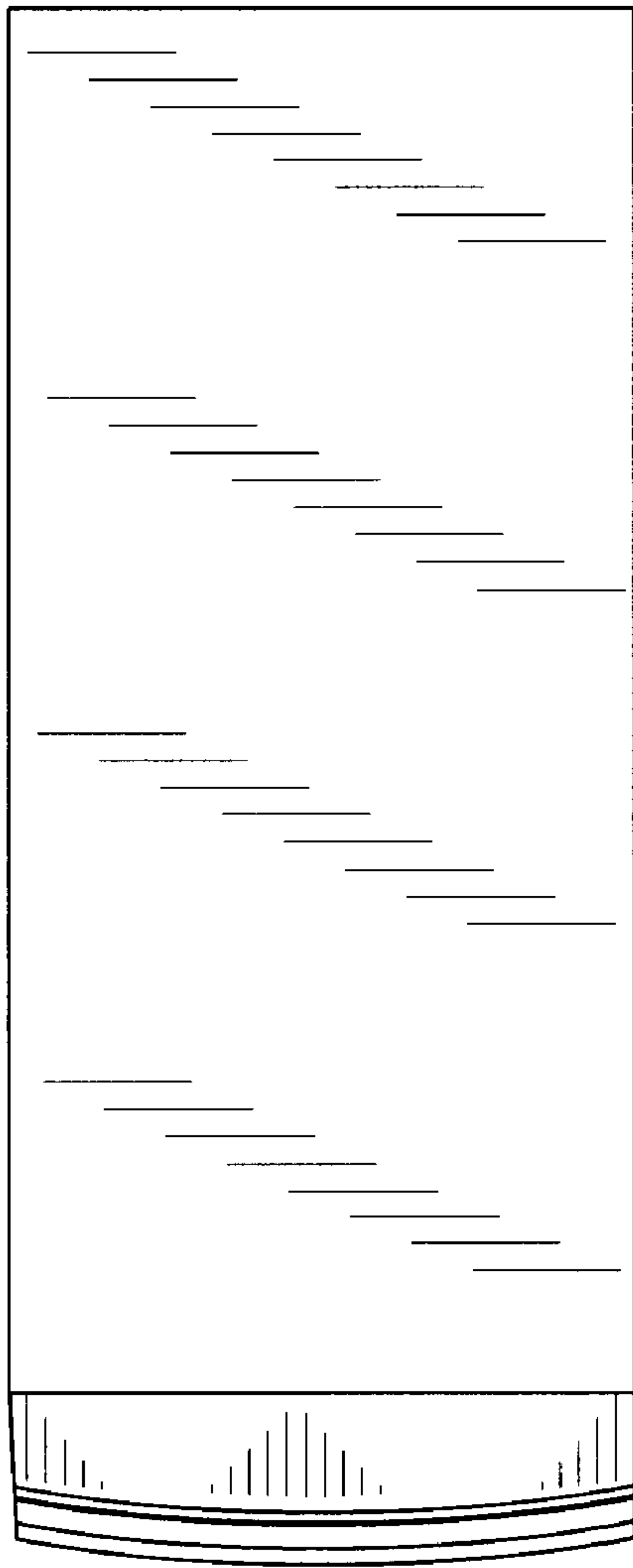


FIG. 6

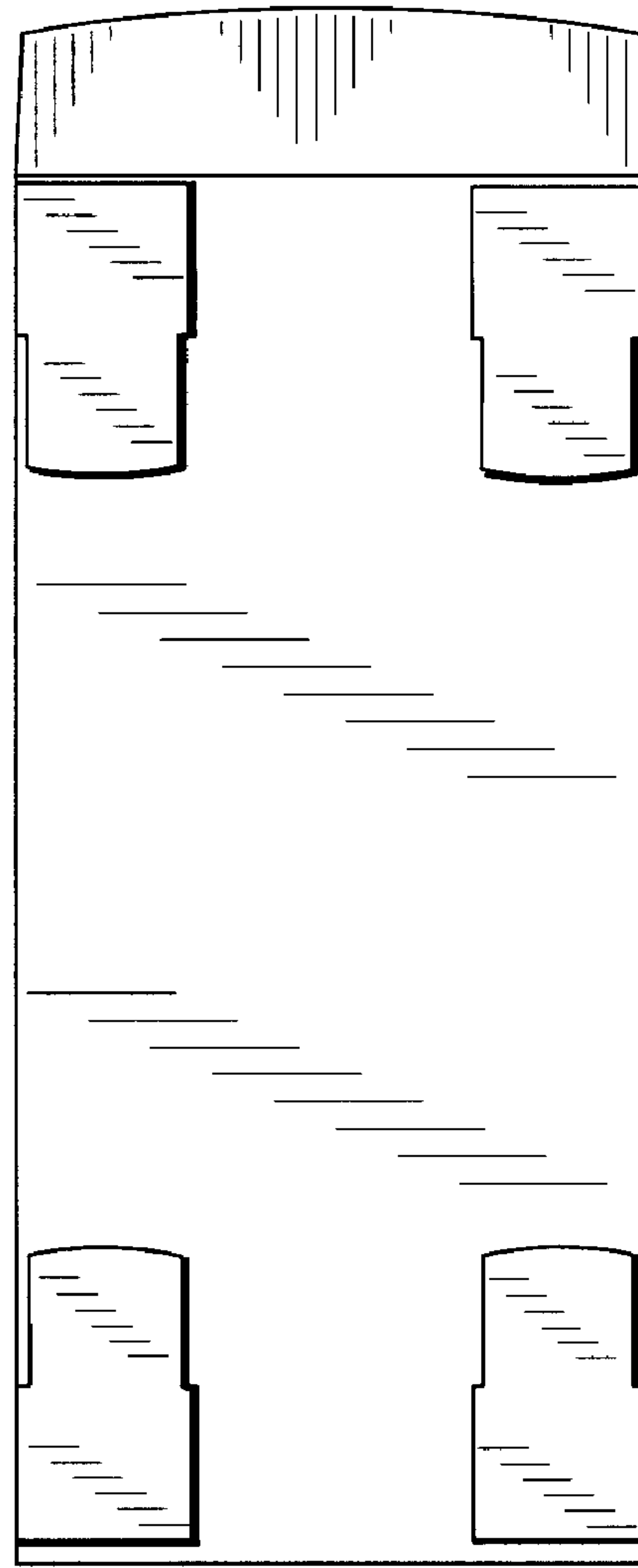


FIG. 7