

US00D528539S

(12) **United States Design Patent**  
**McClaude**

(10) **Patent No.:** **US D528,539 S**

(45) **Date of Patent:** **\*\* Sep. 19, 2006**

(54) **MOBILE MOUNT**

(75) Inventor: **Mark A. McClaude**, Syracuse, NY  
(US)

(73) Assignee: **Hand Held Products, Inc.**, Skaneateles  
Falls, NY (US)

(\*\*) Term: **14 Years**

(21) Appl. No.: **29/241,101**

(22) Filed: **Oct. 24, 2005**

(51) **LOC (8) Cl.** ..... **14-03**

(52) **U.S. Cl.** ..... **D14/253**; D3/218

(58) **Field of Classification Search** ..... D14/146,  
D14/224, 251, 252, 253, 434, 447; D6/553;  
D8/350; D12/400, 415; D13/108, 177; D16/242;  
248/160, 205.8, 206.2, 274.1, 371, 917; 379/454,  
379/455; 455/575.1, 575.2, 575.6, 575.9,  
455/90.3

See application file for complete search history.

(56) **References Cited**

U.S. PATENT DOCUMENTS

D320,992 S	*	10/1991	Jondelius	.....	D14/253
D346,275 S	*	4/1994	Hayasaka et al.	.....	D3/218
D366,957 S	*	2/1996	Scheid et al.	.....	D3/218
D369,359 S	*	4/1996	Wright et al.	.....	D14/253
D370,658 S	*	6/1996	Siddoway et al.	.....	D13/108
D371,137 S	*	6/1996	Kriegh	.....	D14/253
5,659,612 A	*	8/1997	Wang	.....	379/446
D400,209 S	*	10/1998	Williams et al.	.....	D14/253
D404,397 S	*	1/1999	Lucaci et al.	.....	D14/253
D406,191 S	*	3/1999	Phillips et al.	.....	D3/218
5,988,577 A	*	11/1999	Phillips et al.	.....	248/231.81
D419,290 S	*	1/2000	Treyer et al.	.....	D3/218
6,141,417 A	*	10/2000	Lopez et al.	.....	379/446
D434,898 S	*	12/2000	Jokinen et al.	.....	D3/218
D457,308 S	*	5/2002	Infanti	.....	D3/218
D457,309 S	*	5/2002	Tanaka	.....	D3/218
D462,514 S	*	9/2002	Rivera et al.	.....	D3/228
D466,287 S	*	12/2002	Tanaka	.....	D3/218
6,520,466 B1	*	2/2003	Blanchard et al.	.....	248/309.1
D496,529 S	*	9/2004	Gotou	.....	D3/218
D497,049 S	*	10/2004	Lodato et al.	.....	D3/218
D497,713 S	*	11/2004	Lodato et al.	.....	D3/218

D499,544 S	*	12/2004	Lodato et al.	.....	D3/218
D502,313 S	*	3/2005	Lodato et al.	.....	D3/218
D504,564 S	*	5/2005	Robertson et al.	.....	D3/218
D517,310 S	*	3/2006	Aron et al.	.....	D3/218

FOREIGN PATENT DOCUMENTS

WO	DM/049332	*	9/1999
WO	DM/052756	*	8/2000

OTHER PUBLICATIONS

“Ericsson Original HCH-38 Car Holder for K700”, 1 p including photo, [online], <URL:http://www.mobiles.co.uk/cgi/search.cgi>, site visited Mar. 31, 2006.\*

“Ericsson Original HCH-24 Car Holder for T20”, 1 p including photo, [online], <URL:http://www.mobiles.co.uk/cgi/search.cgi>, site visited Mar. 31, 2006.\*

“Ericsson Original HCH-30 Universal Ericsson Car Holder”, 1 p including photo, [online], <URL:http://www.mobiles.co.uk/cgi/search.cgi>, site visited Mar. 31, 2006.\*

\* cited by examiner

Primary Examiner—Jeffrey D. Asch

Assistant Examiner—Carla Jobe Wright

(57) **CLAIM**

The ornamental design for a mobile mount, as shown and described.

**DESCRIPTION**

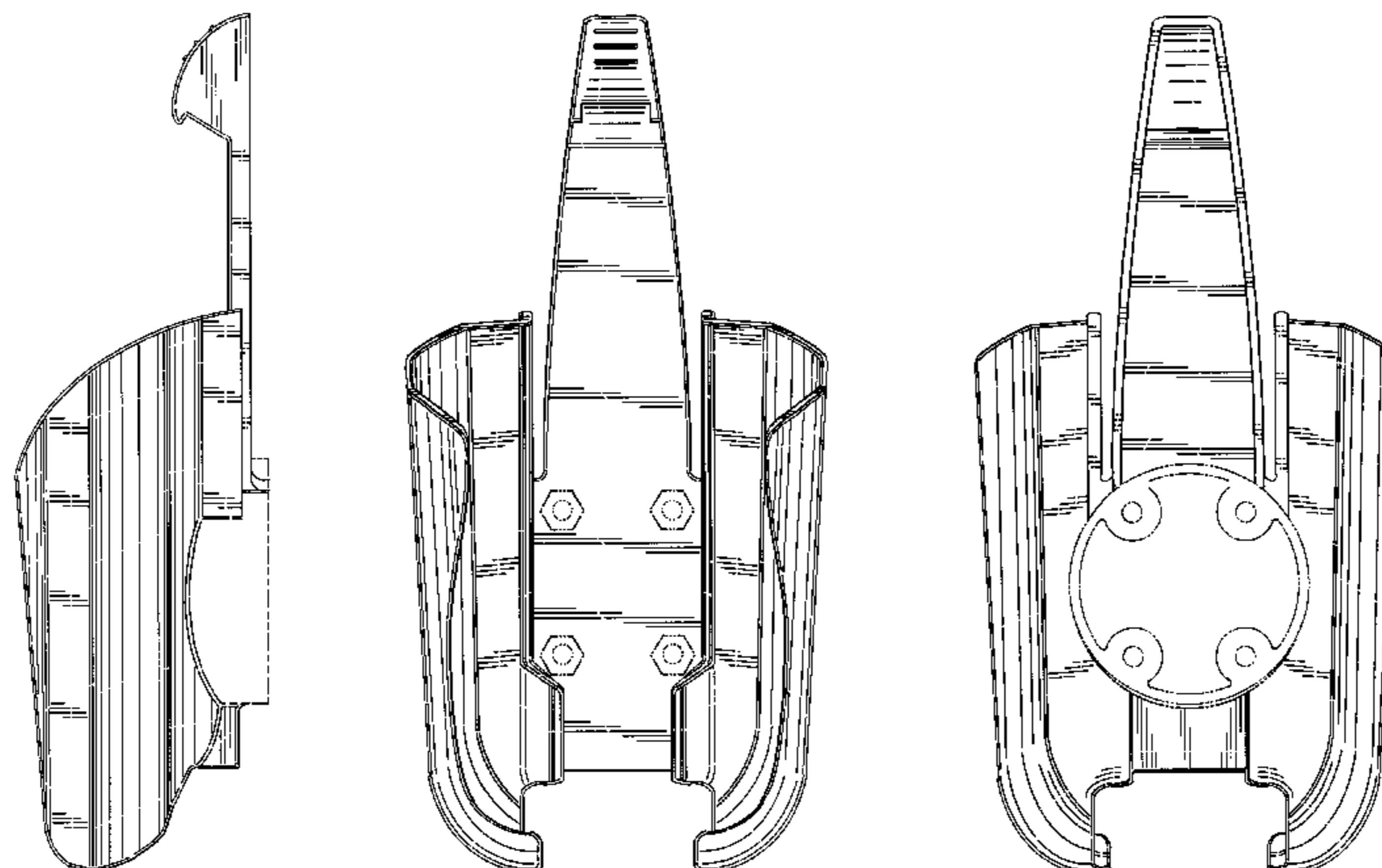
FIG. 1 is a top perspective view of a mobile mount; FIG. 2 is a side view of the mobile mount shown in FIG. 1; FIG. 3 is a front view of the mobile mount shown in FIG. 1;

FIG. 4 is a rear view of the mobile mount shown in FIG. 1; FIG. 5 is a top view of the mobile mount shown in FIG. 1; FIG. 6 is a bottom view of the mobile mount shown in FIG. 1; and,

FIG. 7 is another perspective view of the mobile mount shown in FIG. 1.

The broken line showing of the cell phone in FIG. 7, the hexagonal recesses in FIGS. 1 and 3, and the round feature on the rear of the mobile mount in FIGS. 1, 2, 4, 5, 6, and 7 is for illustrative purposes only and forms no part of the claimed design.

**1 Claim, 6 Drawing Sheets**



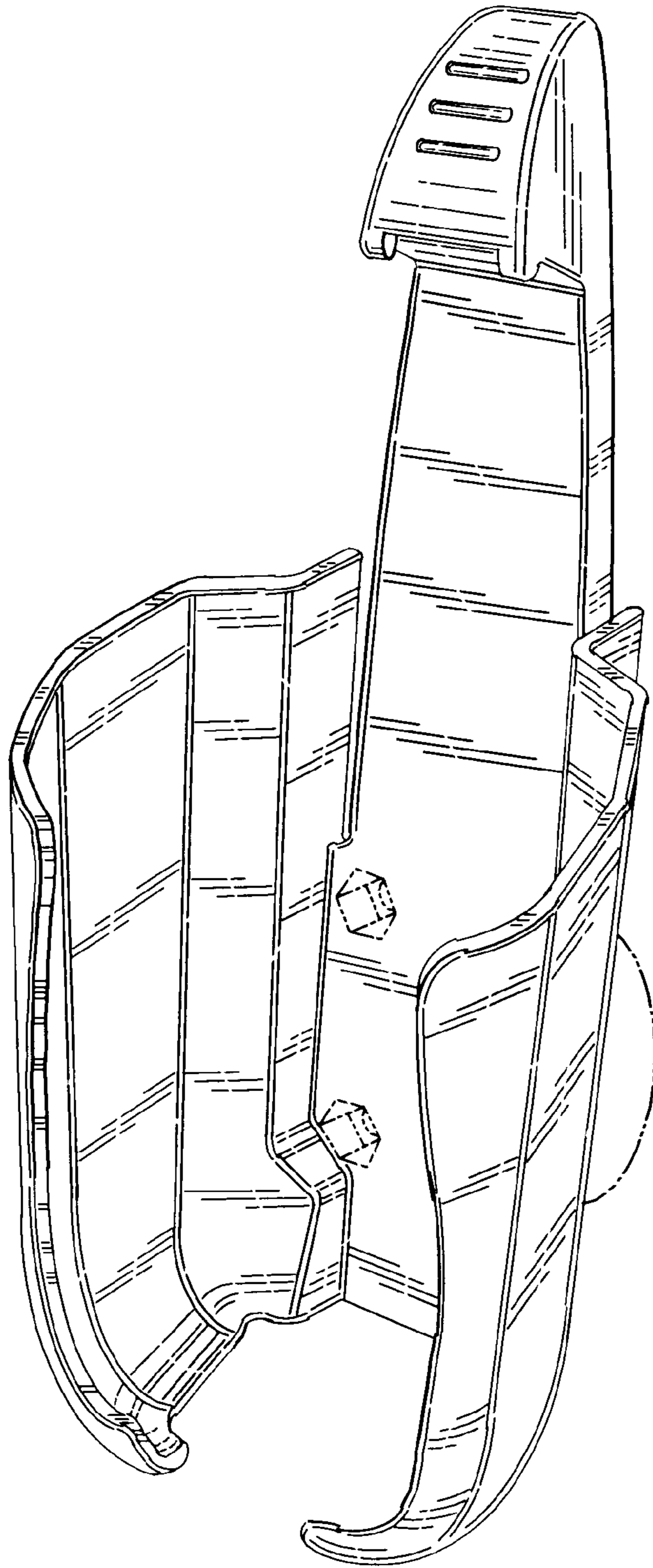


FIG. 1

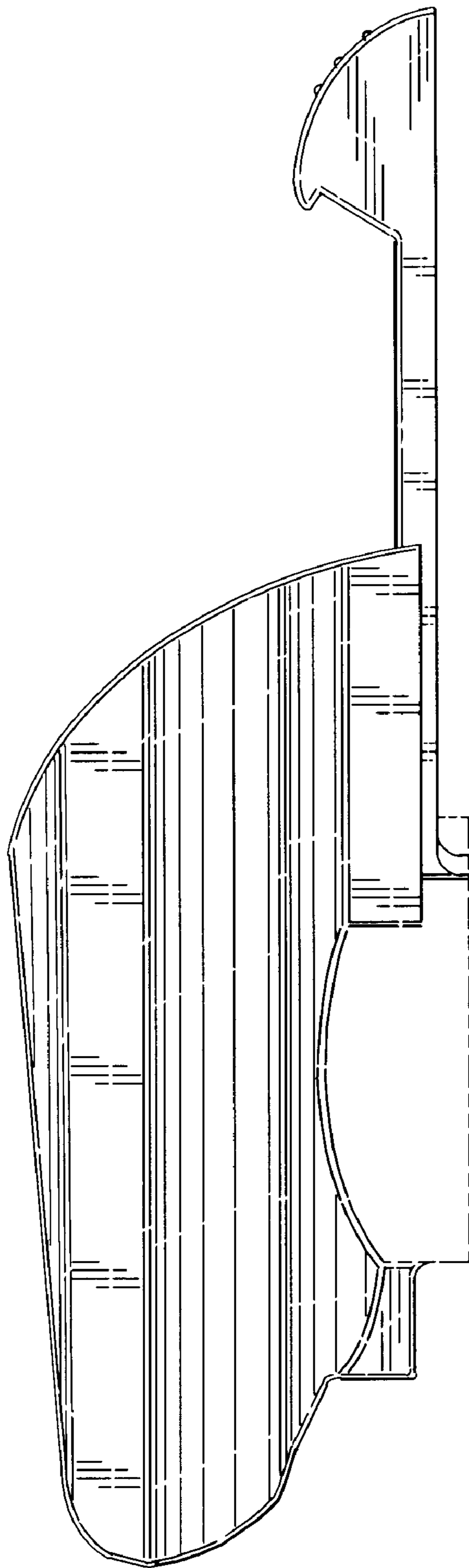


FIG. 2

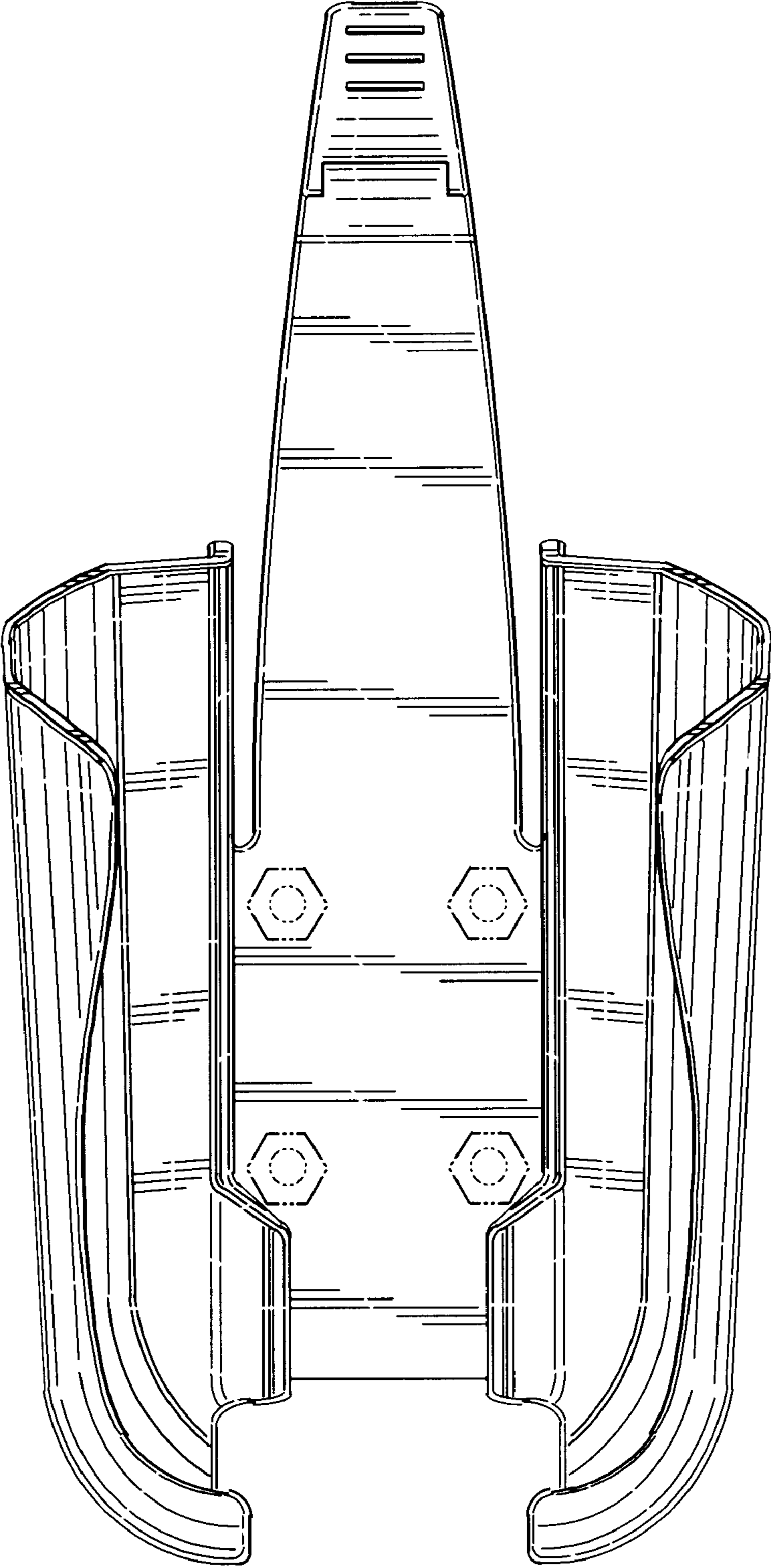


FIG. 3

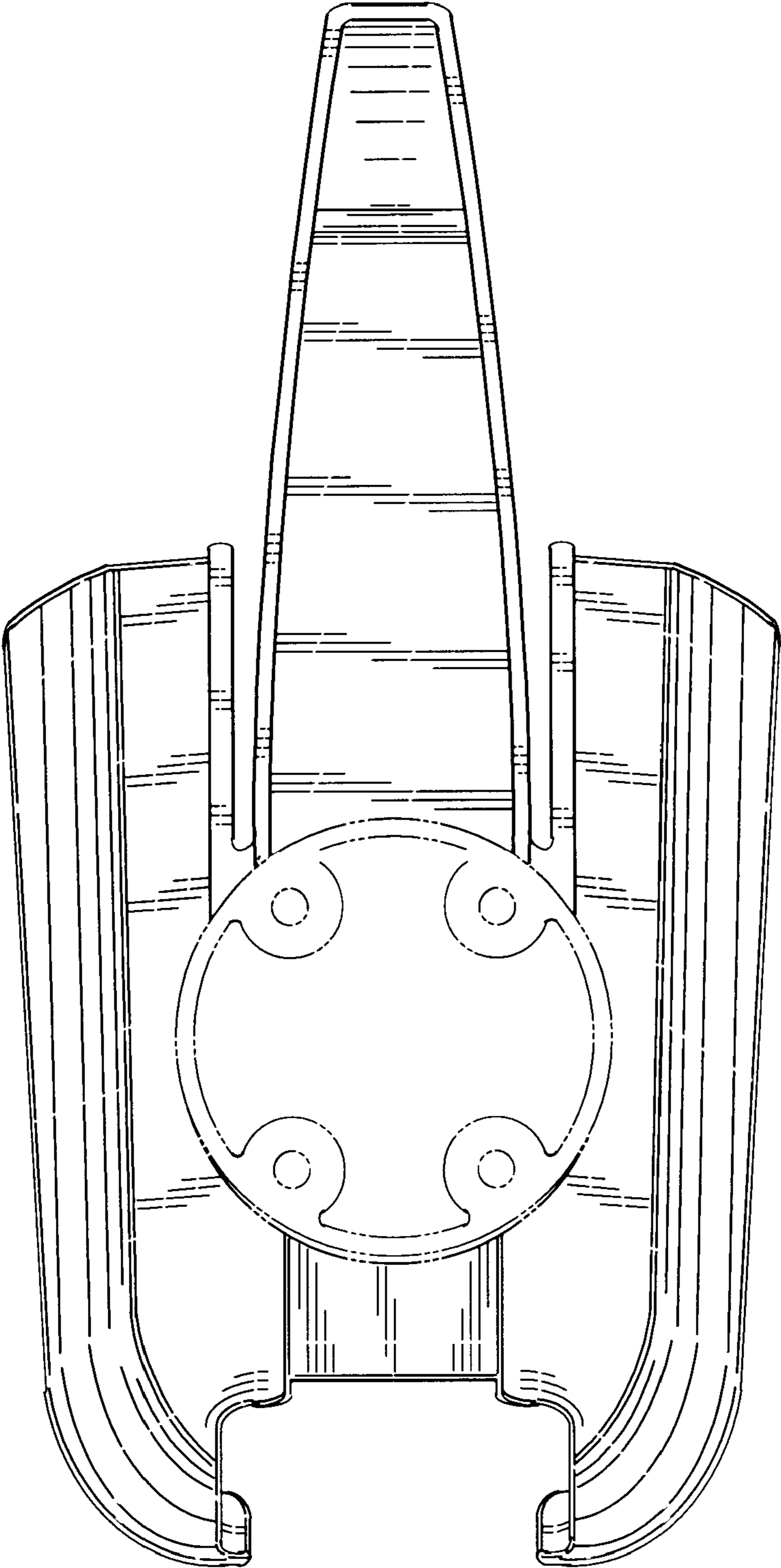


FIG. 4

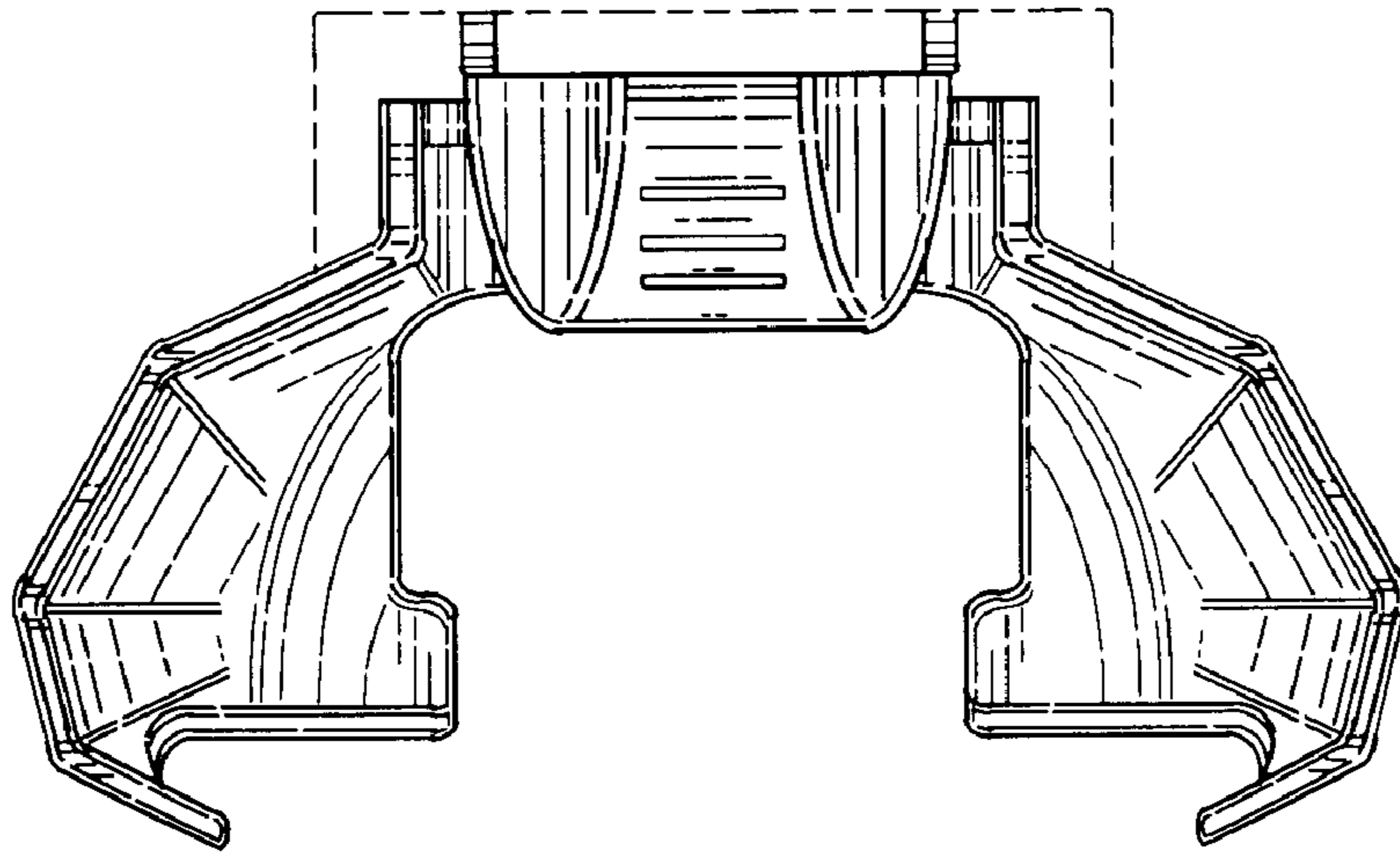


FIG. 5

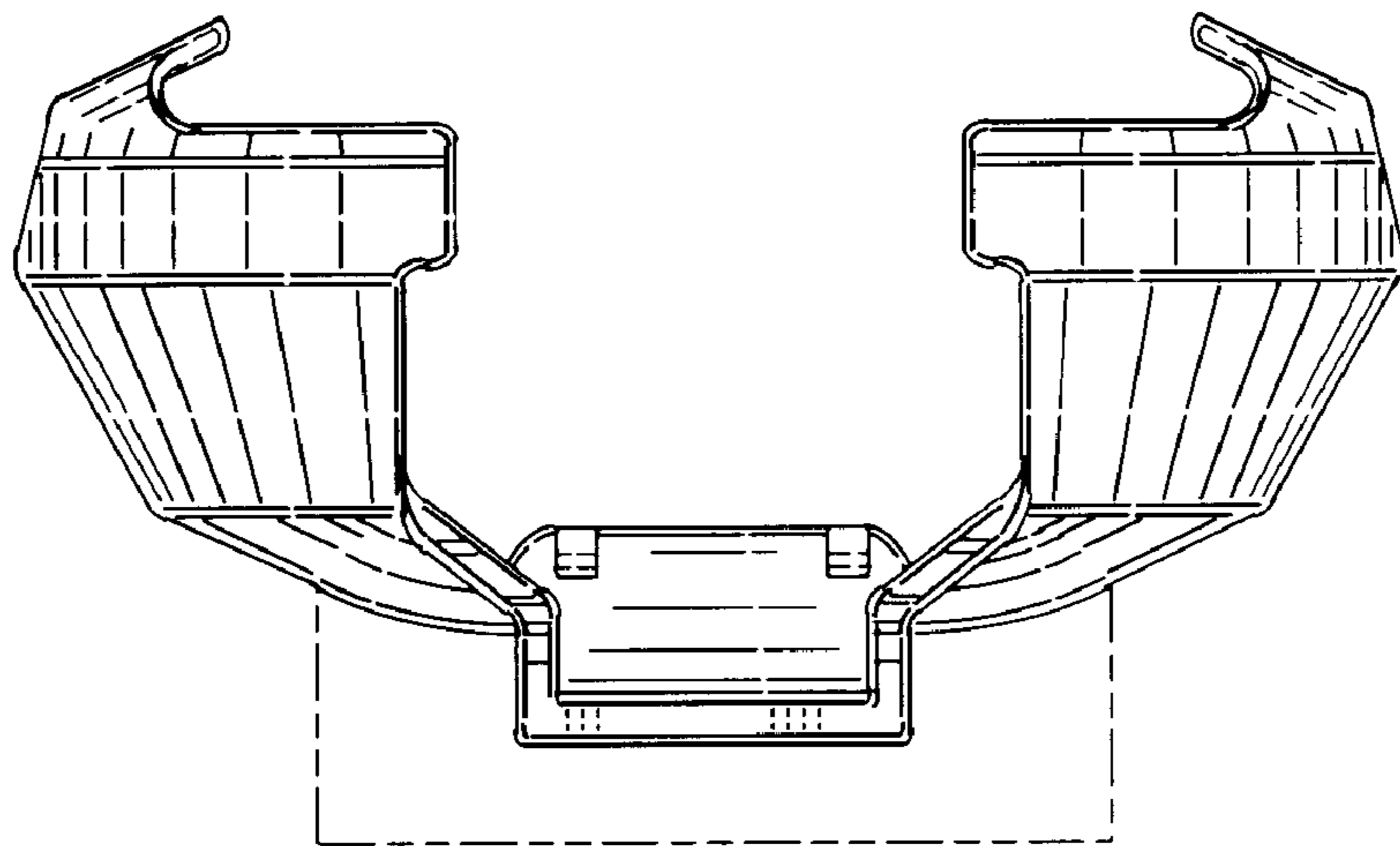


FIG. 6

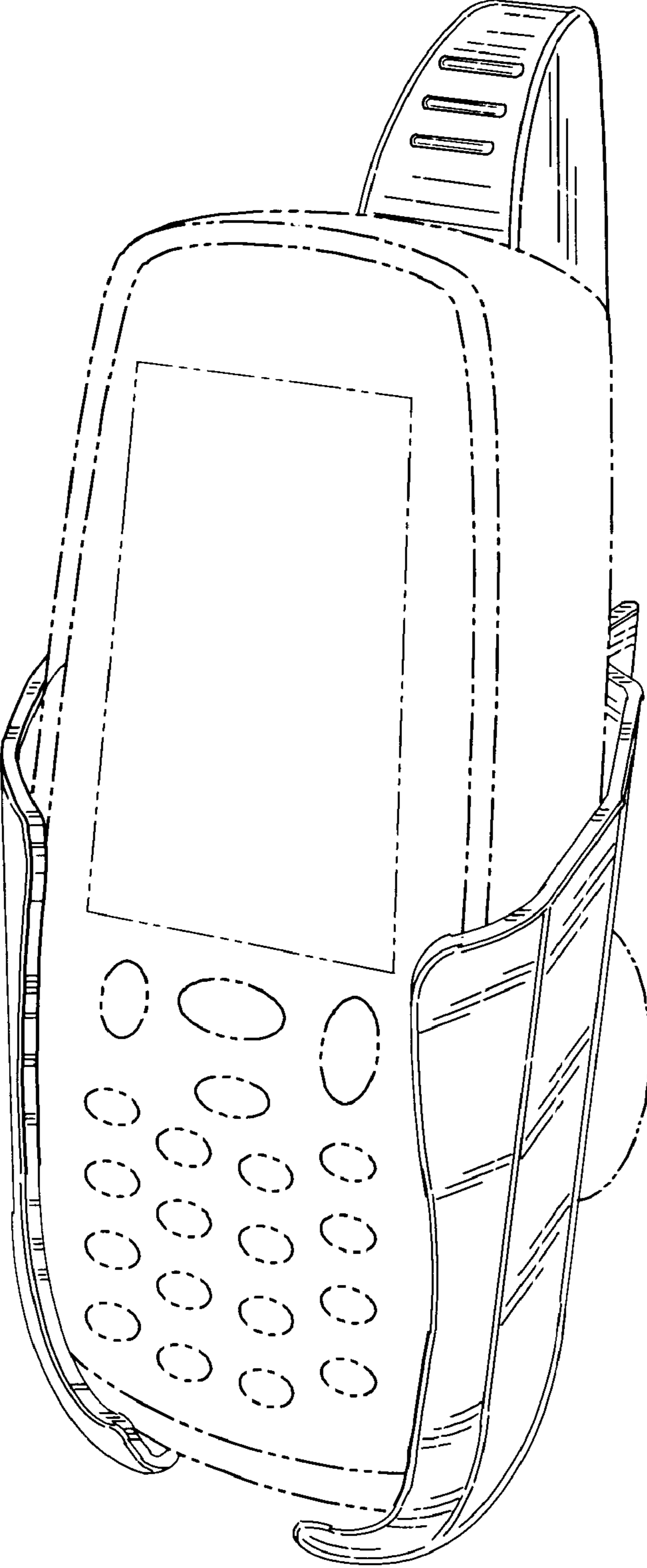


FIG. 7