



US00D528537S

(12) **United States Design Patent**  
**Wang**

(10) **Patent No.:** **US D528,537 S**

(45) **Date of Patent:** **\*\* Sep. 19, 2006**

(54) **INDOOR ANTENNA**

(75) Inventor: **Cheng-Si Wang**, Changhua Hsien (TW)

(73) Assignee: **Trans Electric Co., Ltd.**, Changhua Hsien (TW)

(\*\*) Term: **14 Years**

(21) Appl. No.: **29/219,372**

(22) Filed: **Dec. 16, 2004**

(51) **LOC (8) Cl.** ..... **14-03**

(52) **U.S. Cl.** ..... **D14/230**

(58) **Field of Classification Search** ..... D14/137,  
D14/138, 230-238, 299, 358; D12/42, 43;  
343/700 R-705, 871-908, 795, 840, 711-713,  
343/819, 846; 455/90.2, 90.3, 91, 128, 269,  
455/344, 347, 562.1

See application file for complete search history.

(56) **References Cited**

**U.S. PATENT DOCUMENTS**

D333,470 S \* 2/1993 Vong ..... D14/230  
D398,611 S \* 9/1998 Read ..... D14/230

D438,533 S \* 3/2001 Arpe ..... D14/240  
D465,488 S \* 11/2002 Hillenmayer ..... D14/358

\* cited by examiner

*Primary Examiner*—Louis S. Zarfes

*Assistant Examiner*—John Windmuller

(74) *Attorney, Agent, or Firm*—Dellett & Walters

(57) **CLAIM**

The ornamental design for an indoor antenna, as shown and described.

**DESCRIPTION**

FIG. 1 is a perspective view of the indoor antenna showing my new design;

FIG. 2 is a front view thereof;

FIG. 3 is a rear view thereof;

FIG. 4 is a left side view thereof;

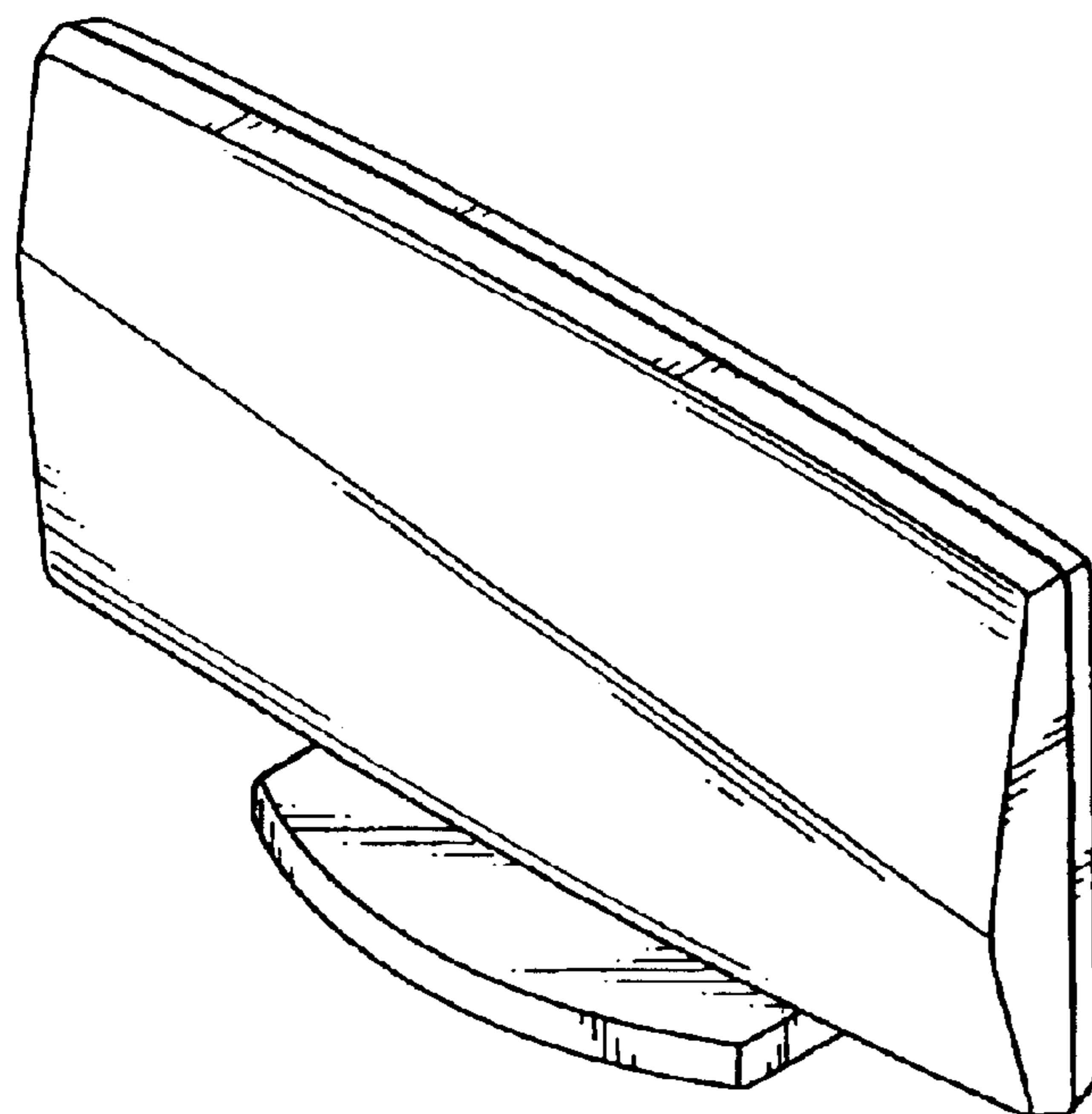
FIG. 5 is a right side view thereof;

FIG. 6 is a top view thereof;

FIG. 7 is a bottom view thereof; and,

FIG. 8 is a perspective view thereof in an alternate position of use.

**1 Claim, 6 Drawing Sheets**



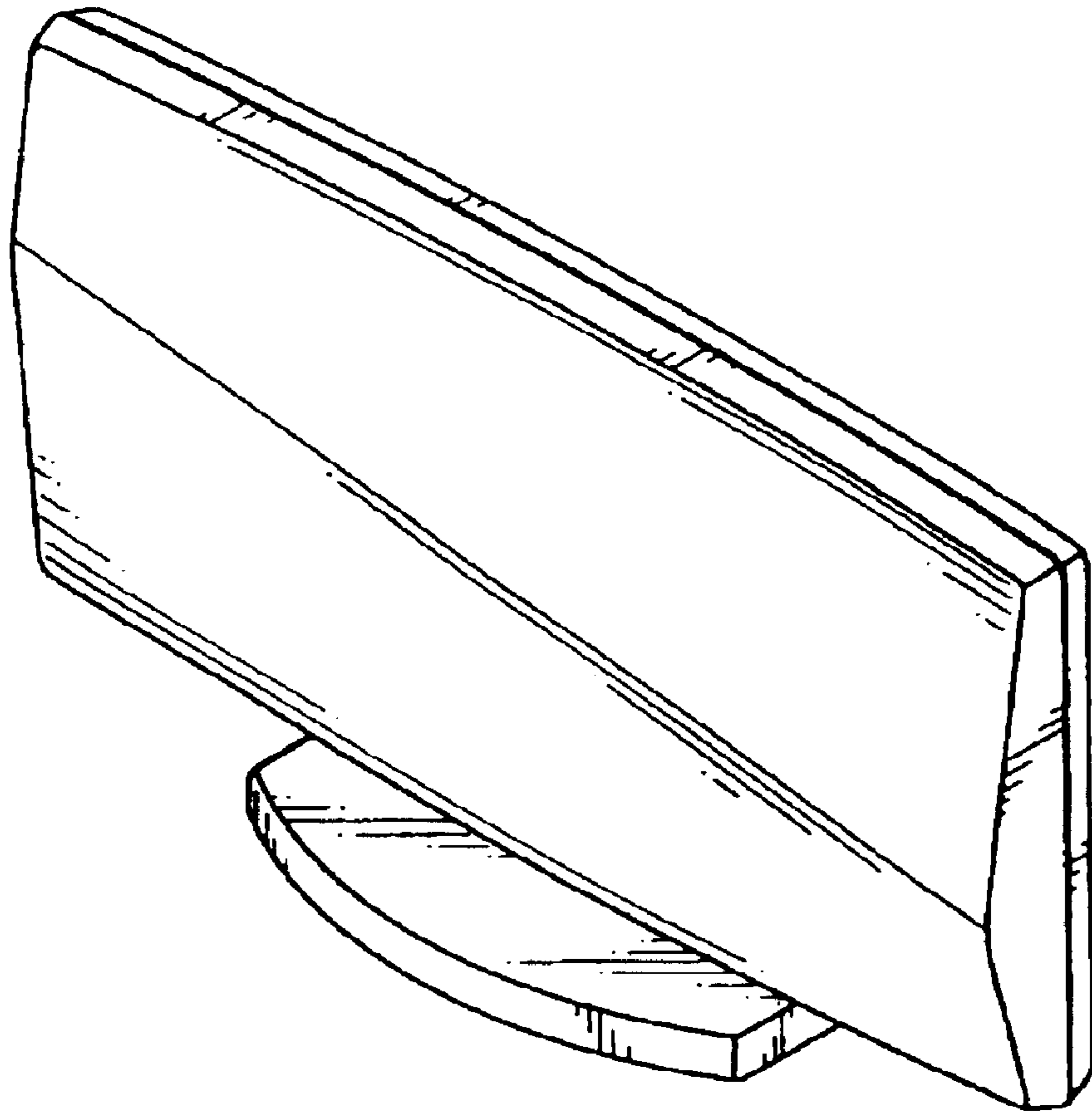


FIG.1

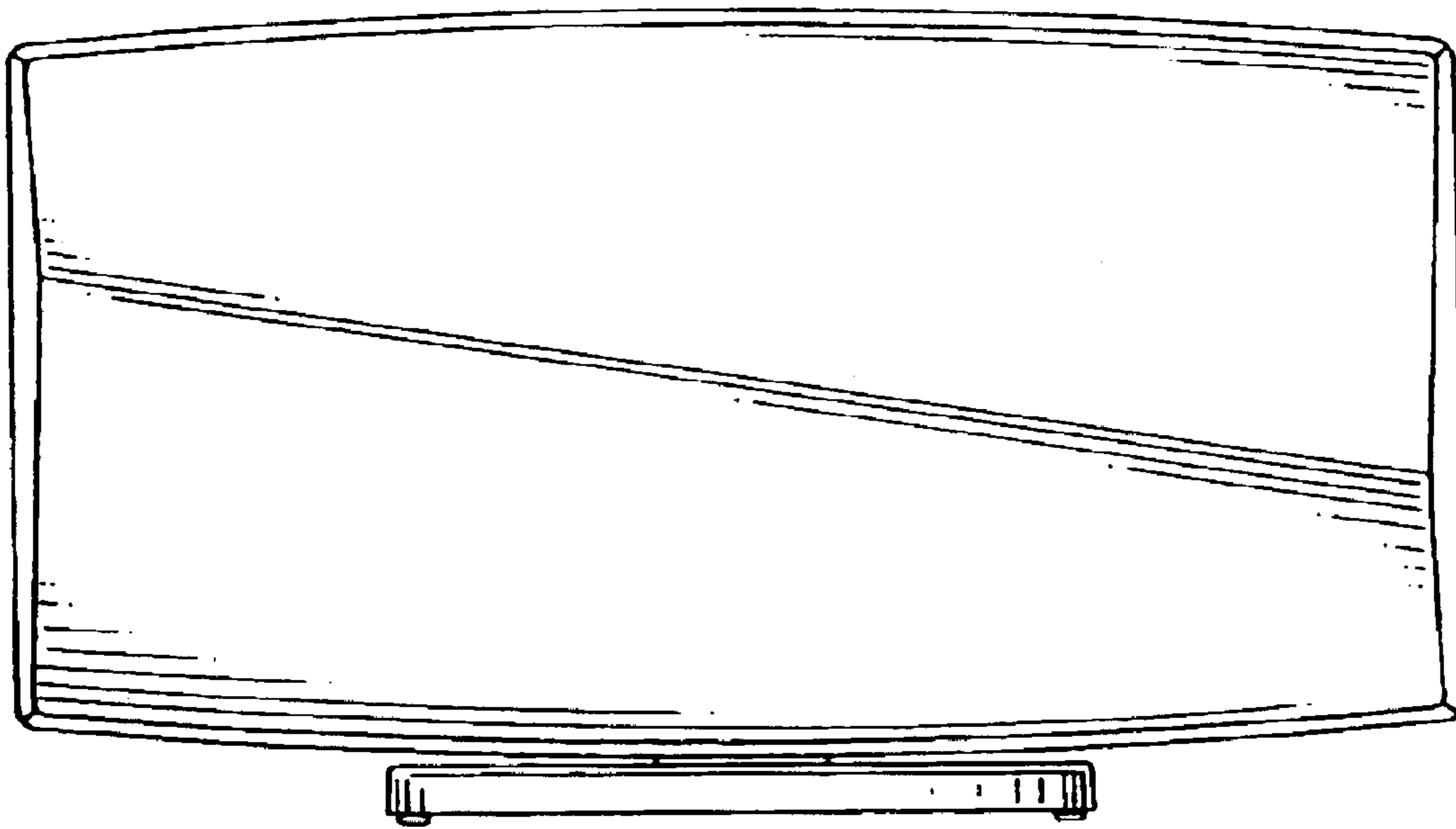


FIG.2

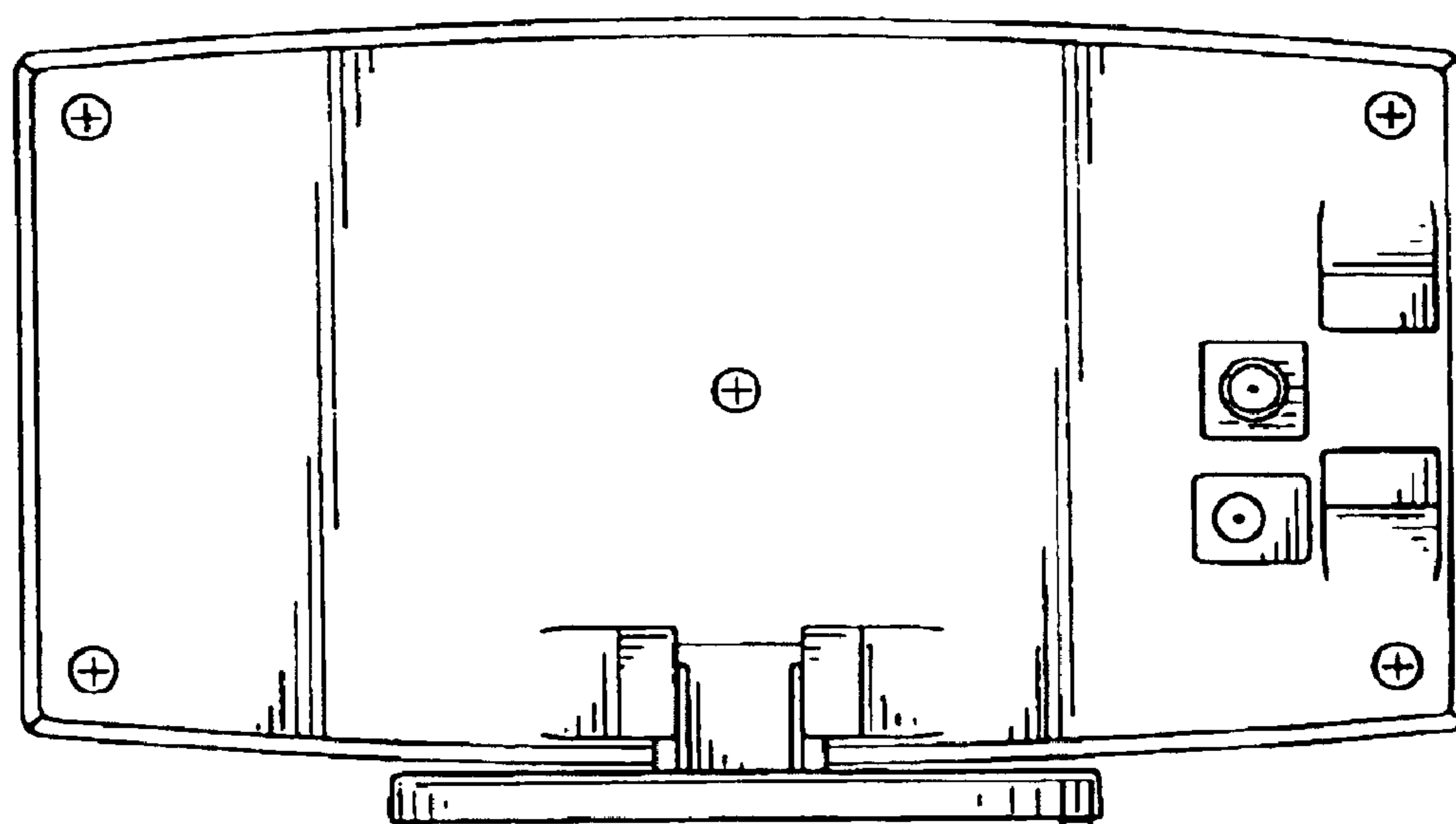


FIG.3

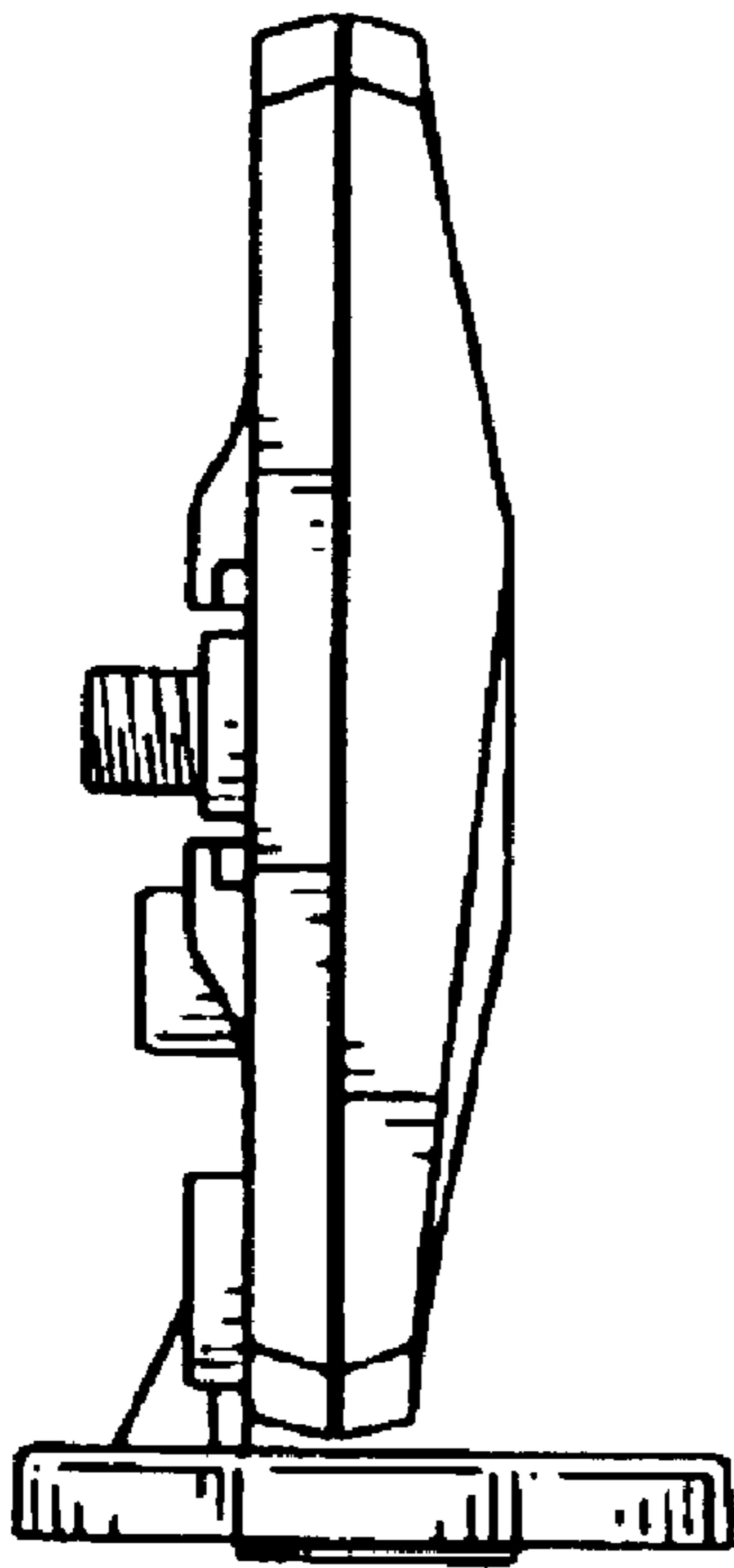


FIG. 4

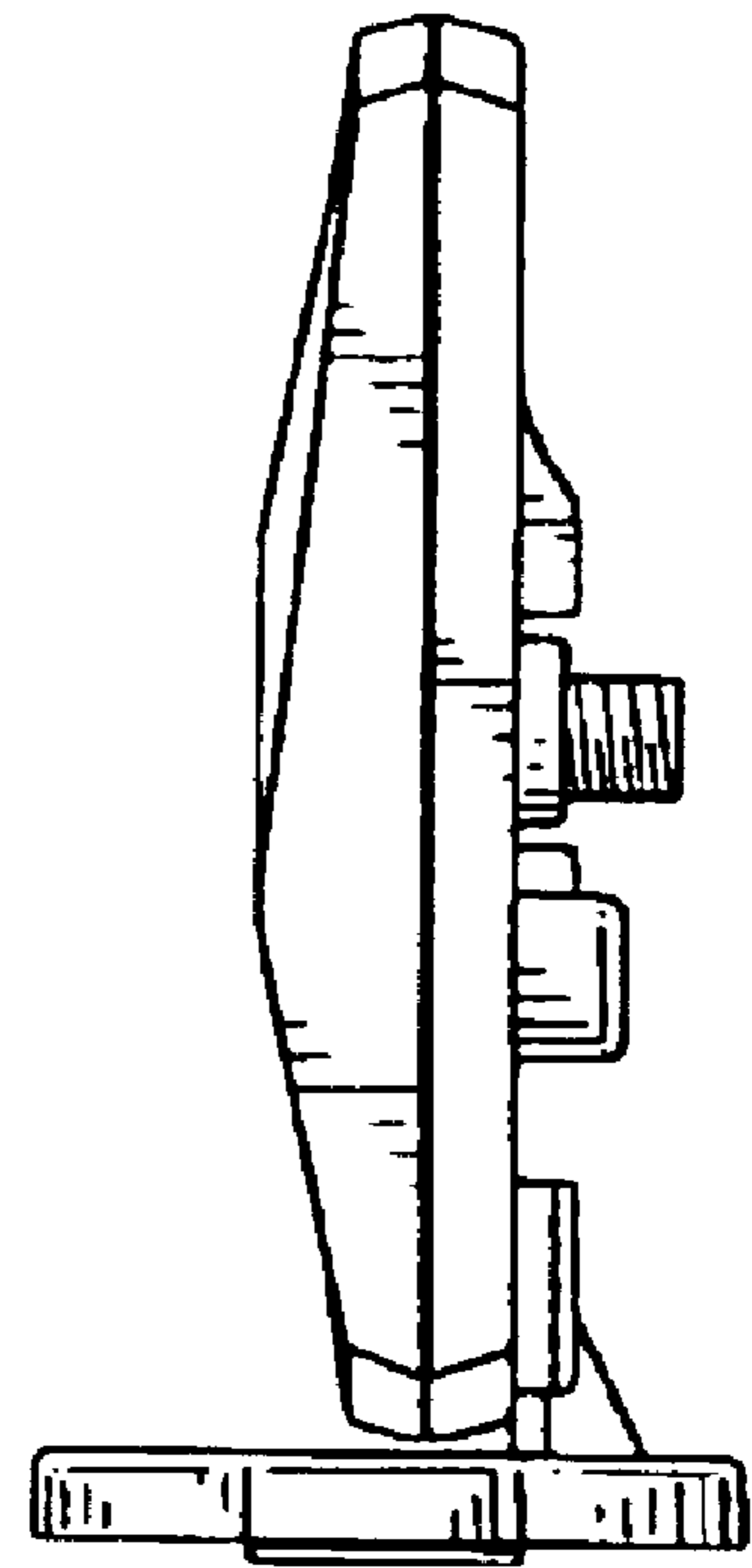


FIG. 5

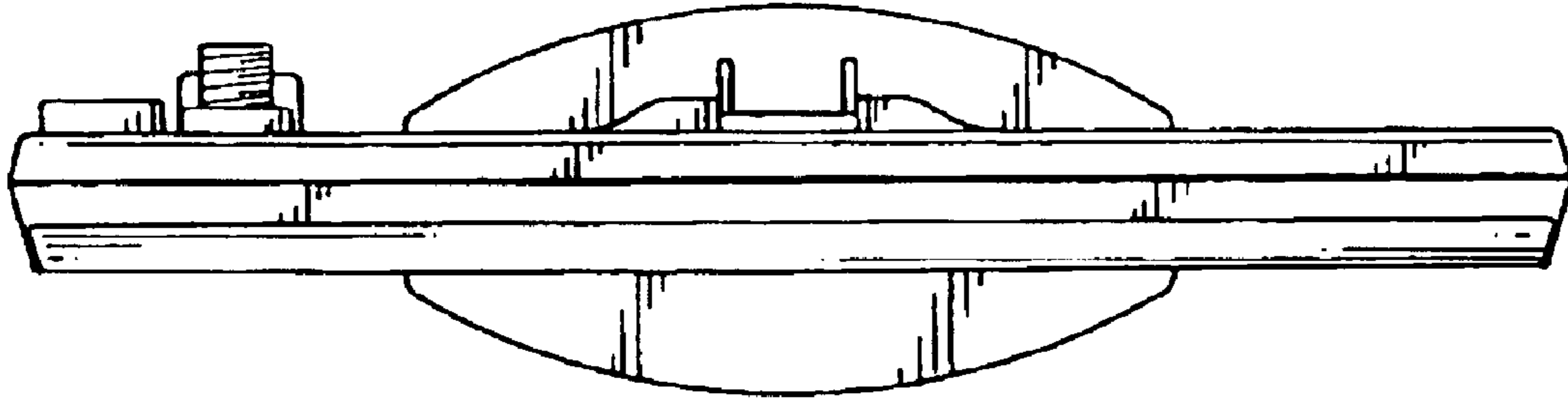


FIG. 6

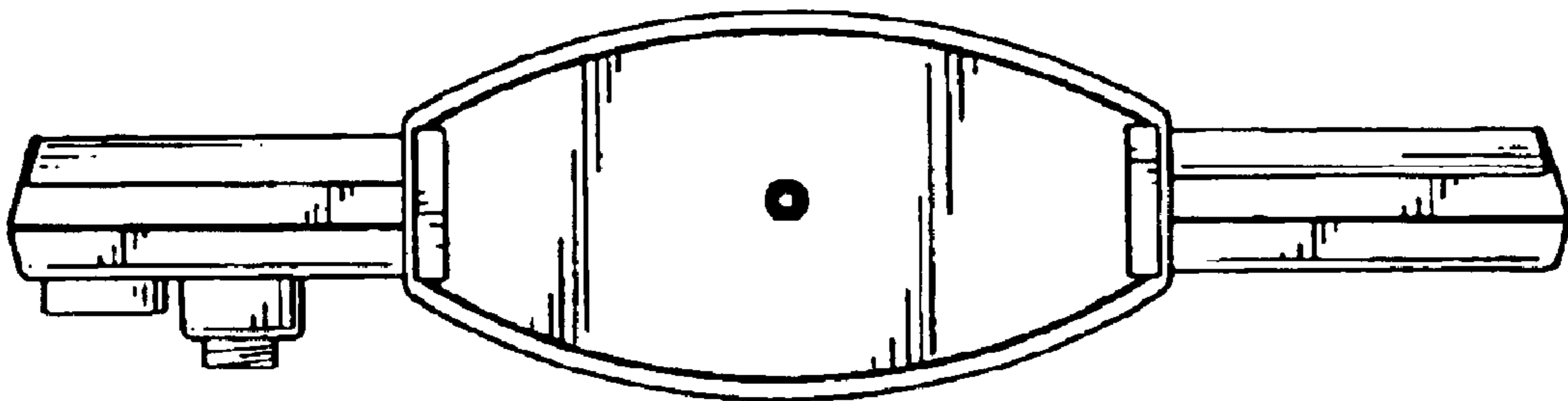


FIG. 7

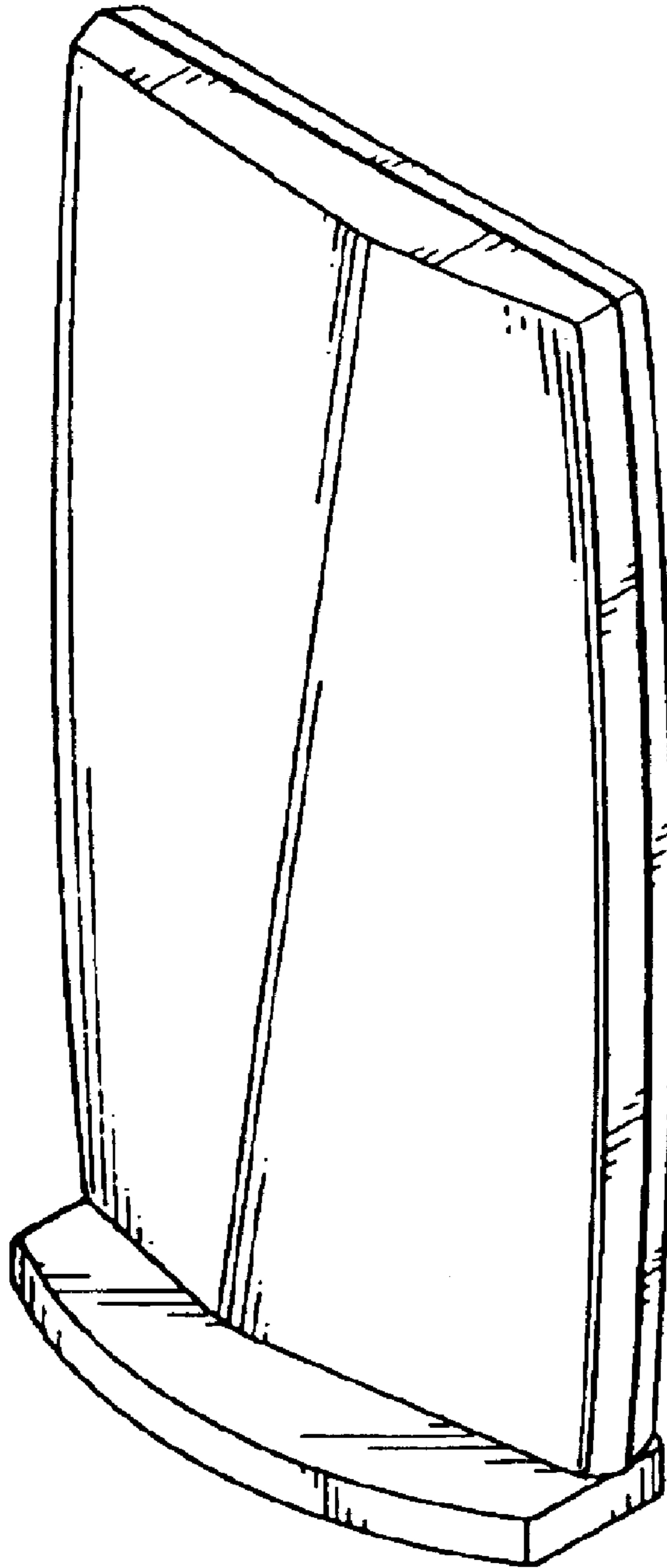


FIG. 8