



US00D528533S

(12) **United States Design Patent**
Lee et al.

(10) **Patent No.:** **US D528,533 S**
(45) **Date of Patent:** **** Sep. 19, 2006**

(54) **MOBILE PHONE**

(75) Inventors: **Min-Hyouk Lee**, Suwon-si (KR);
Nam-Mi Kim, Seoul (KR);
Chang-Hwan Hwang, Goyang-si (KR)

(73) Assignee: **Samsung Electronics Co., Ltd.**,
Suwon-si (KR)

(**) Term: **14 Years**

(21) Appl. No.: **29/236,529**

(22) Filed: **Aug. 18, 2005**

(30) **Foreign Application Priority Data**

Feb. 23, 2005 (KR) 30-2005-0005864

(51) **LOC (8) Cl.** **14-03**

(52) **U.S. Cl.** **D14/138**

(58) **Field of Classification Search** D14/137,
D14/138, 147-148, 247-248, 144, 496, 156,
D14/341-347; 379/433.01-433.13; 455/575.4,
455/566, 575.1, 556.1, 556.2, 90.3; D21/329,
D21/331, 333; D16/208

See application file for complete search history.

(56) **References Cited**

U.S. PATENT DOCUMENTS

D466,096 S	*	11/2002	Takada	D14/138
D495,695 S	*	9/2004	Yugaya	D14/346
6,822,871 B1	*	11/2004	Lee et al.	361/727
D502,162 S	*	2/2005	Kim et al.	D14/138
D503,164 S	*	3/2005	Park et al.	D14/138
D503,699 S	*	4/2005	Lee et al.	D14/138
D508,240 S	*	8/2005	Lee et al.	D14/138
D508,473 S	*	8/2005	Lee et al.	D14/138
D508,688 S	*	8/2005	Lee et al.	D14/138
D509,202 S	*	9/2005	Lee et al.	D14/138
D509,206 S	*	9/2005	Jang	D14/138
D509,215 S	*	9/2005	Han et al.	D14/343
D512,702 S	*	12/2005	Lee et al.	D14/138
D515,060 S	*	2/2006	Lee et al.	D14/138
2004/0259592 A1	*	12/2004	Taneya et al.	455/556.1
2005/0090298 A1	*	4/2005	Park et al.	455/575.4
2005/0107126 A1	*	5/2005	Kim	455/565

2005/0124381 A1	*	6/2005	Kim et al.	455/556.1
2005/0124394 A1	*	6/2005	Kim et al.	455/575.3
2005/0233708 A1	*	10/2005	Im et al.	455/90.3
2005/0245297 A1	*	11/2005	Lee et al.	455/575.4
2005/0250532 A1	*	11/2005	Hwang et al.	455/550.1
2005/0255897 A1	*	11/2005	Lee et al.	455/575.4
2005/0266897 A1	*	12/2005	Ahn et al.	455/575.1
2006/0009255 A1	*	1/2006	Vuolteenaho	455/556.1

OTHER PUBLICATIONS

Samsung D600 telephone, announced first quarter 2005, [online], [retrieved on Apr. 28, 2006]. Retrieved from Internet ,URL: <http://www.gsmarena.com>>.*

Samsung E630 telephone, announced fourth quarter 2004, [online], [retrieved on Apr. 29, 2006]. Retrieved from Internet ,URL: <http://www.gsmarena.com>>.*

Samsung S400i telephone, announced Feb. 2006, [online], [retrieved on Mar. 1, 2006]. Retrieved from Internet ,URL: <http://www.gsmarena.com>>.*

Siemens CF110 telephone, announced Aug. 2005, [online], [retrieved on Apr. 28, 2006]. Retrieved from Internet ,URL: <http://www.gsmarena.com>>.*

InnoStream INNO P10 telephone, announced Jun. 2005, [online], [retrieved on Apr. 28, 2006]. Retrieved from Internet ,URL: <http://www.gsmarena.com>>.*

* cited by examiner

Primary Examiner—Jeffrey Asch

(74) *Attorney, Agent, or Firm*—Staas & Halsey LLP

(57) **CLAIM**

The ornamental design for the mobile phone, as shown and described.

DESCRIPTION

FIG. 1 is a perspective view of the mobile phone showing our design;

FIG. 2 is a front view thereof;

FIG. 3 is a rear view thereof;

FIG. 4 is a left side view thereof;

FIG. 5 is a right side view thereof;

FIG. 6 is a top plan view thereof;

FIG. 7 is a bottom plan view thereof; and,

FIG. 8 is a perspective, open view, thereof.

1 Claim, 3 Drawing Sheets

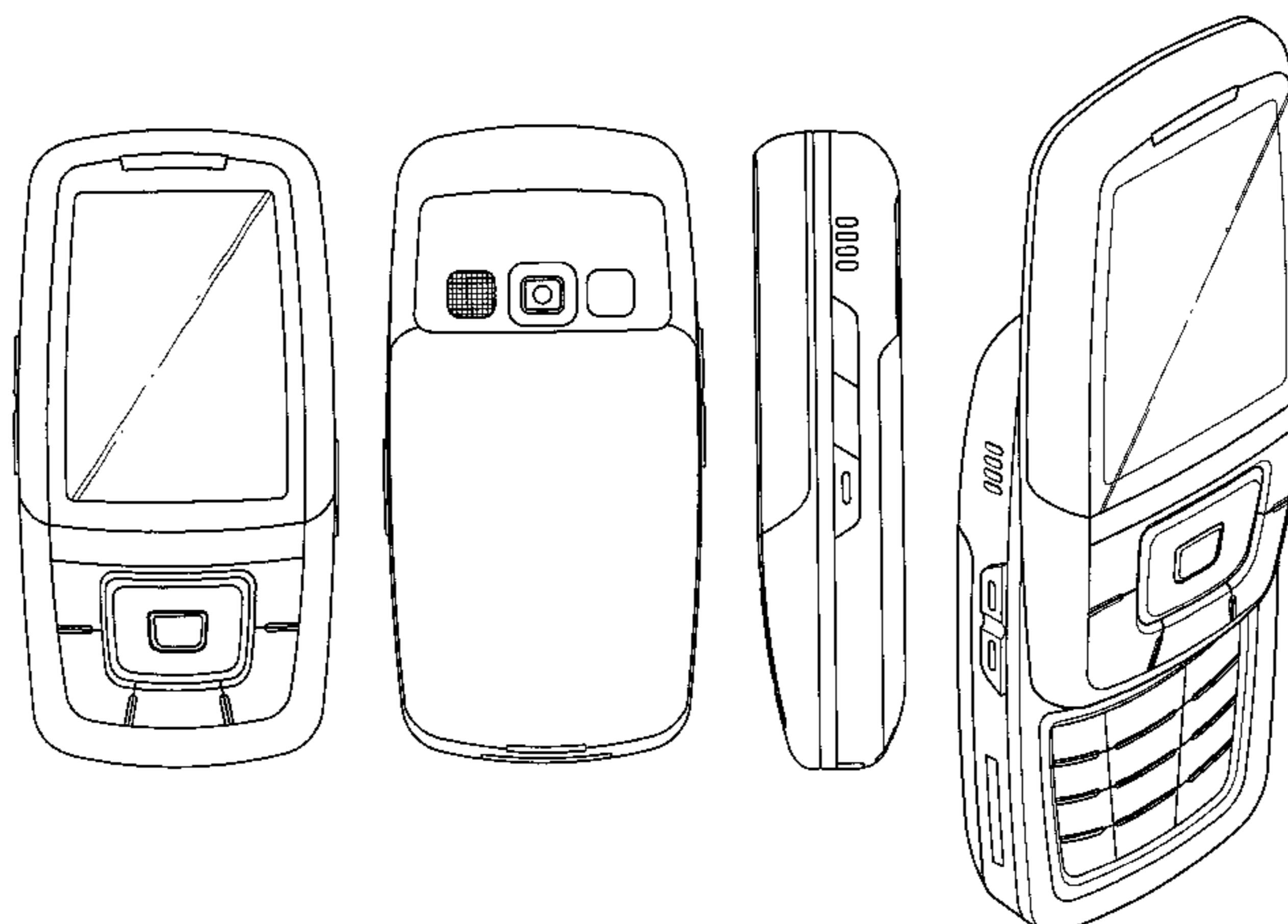


FIG. 1

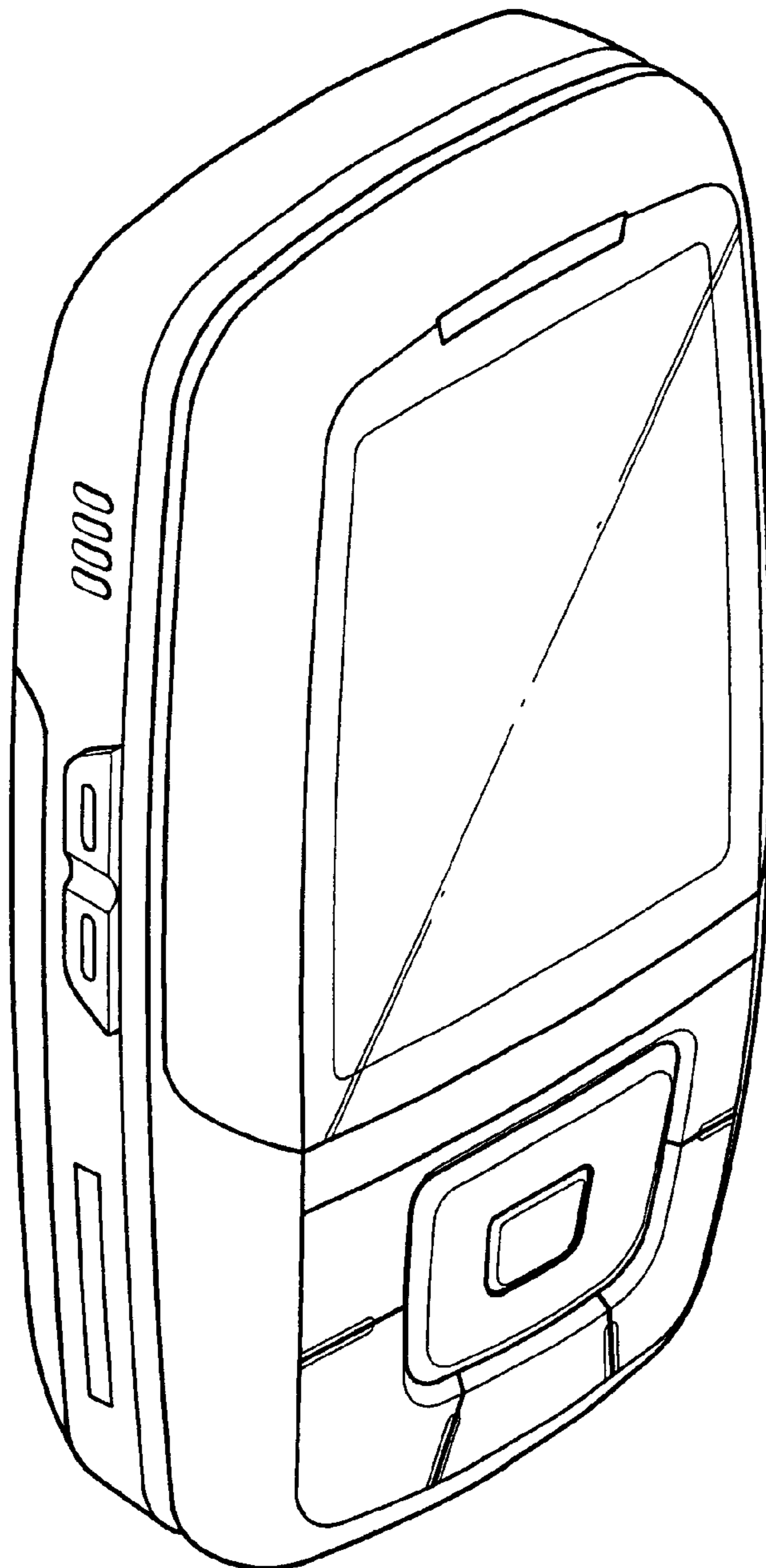


FIG.2

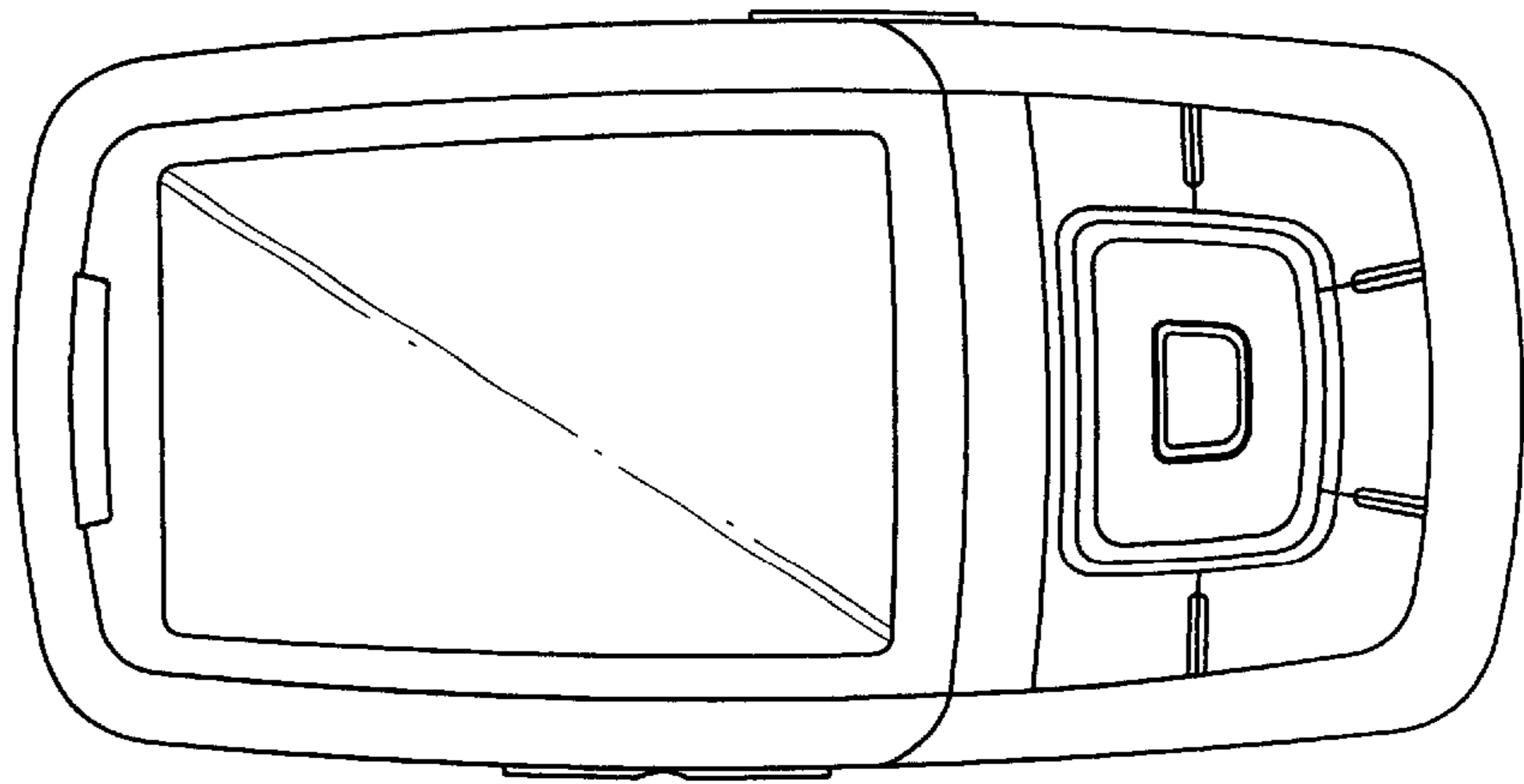


FIG.3

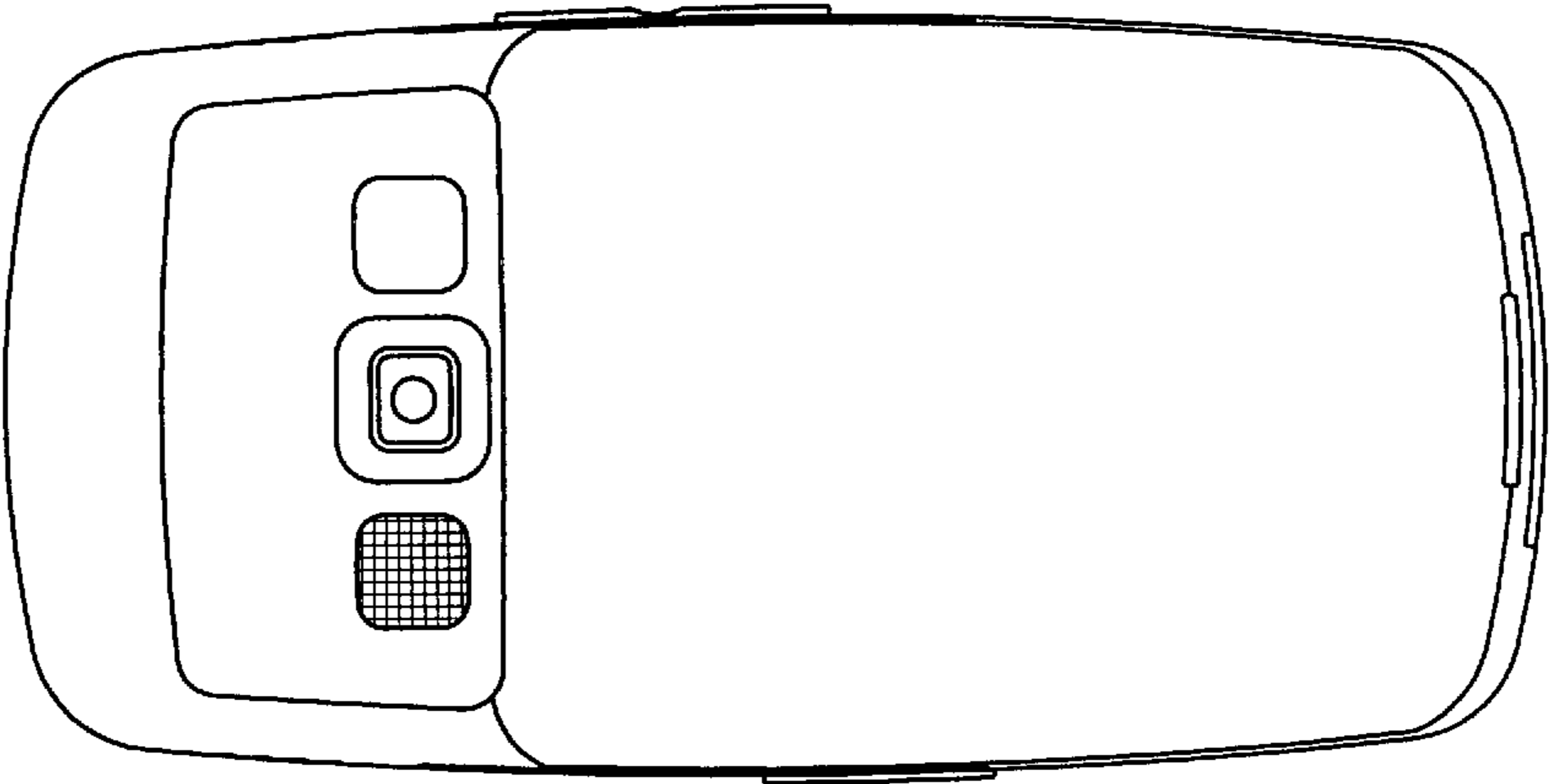


FIG.4

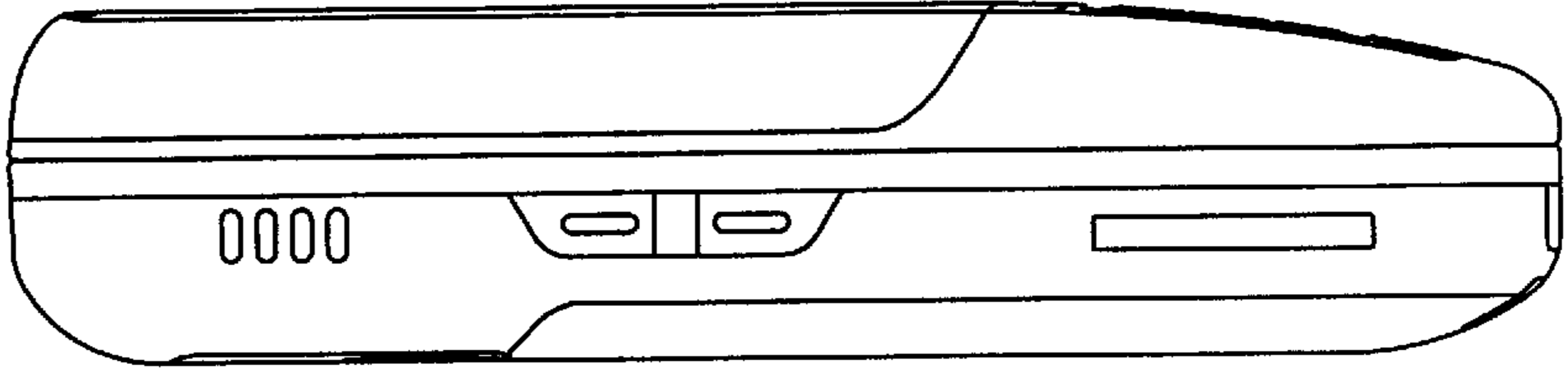


FIG.5

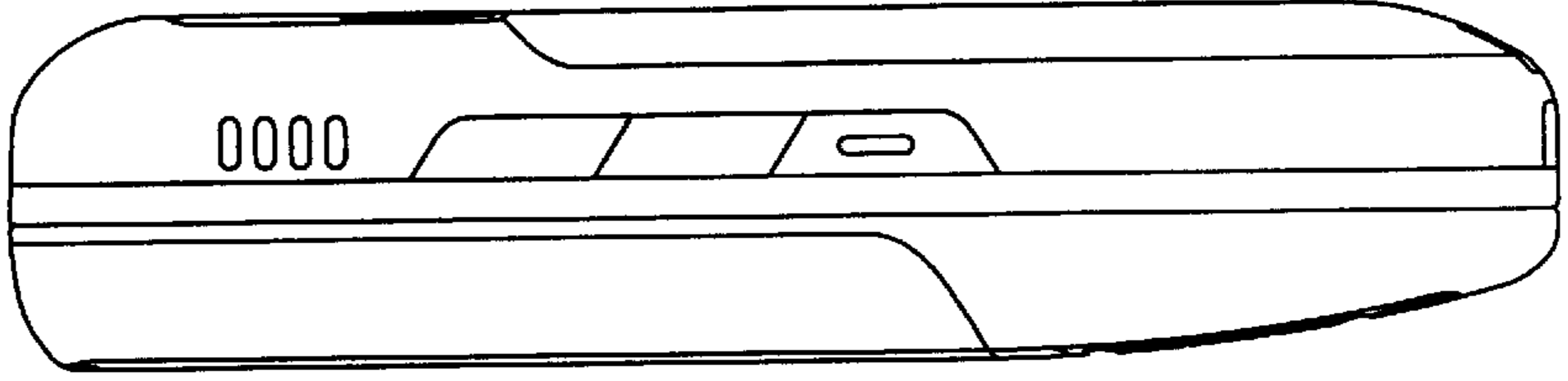


FIG. 6

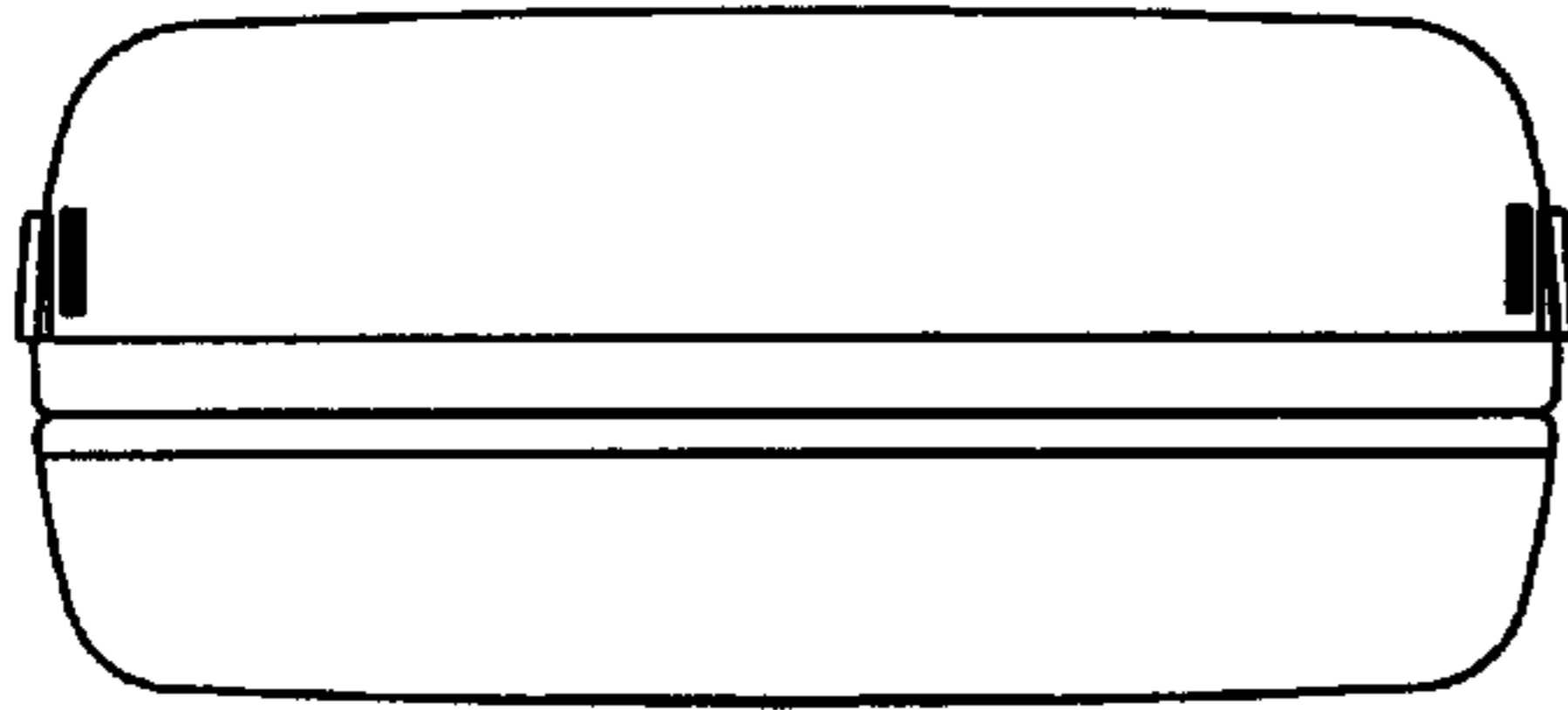


FIG. 7

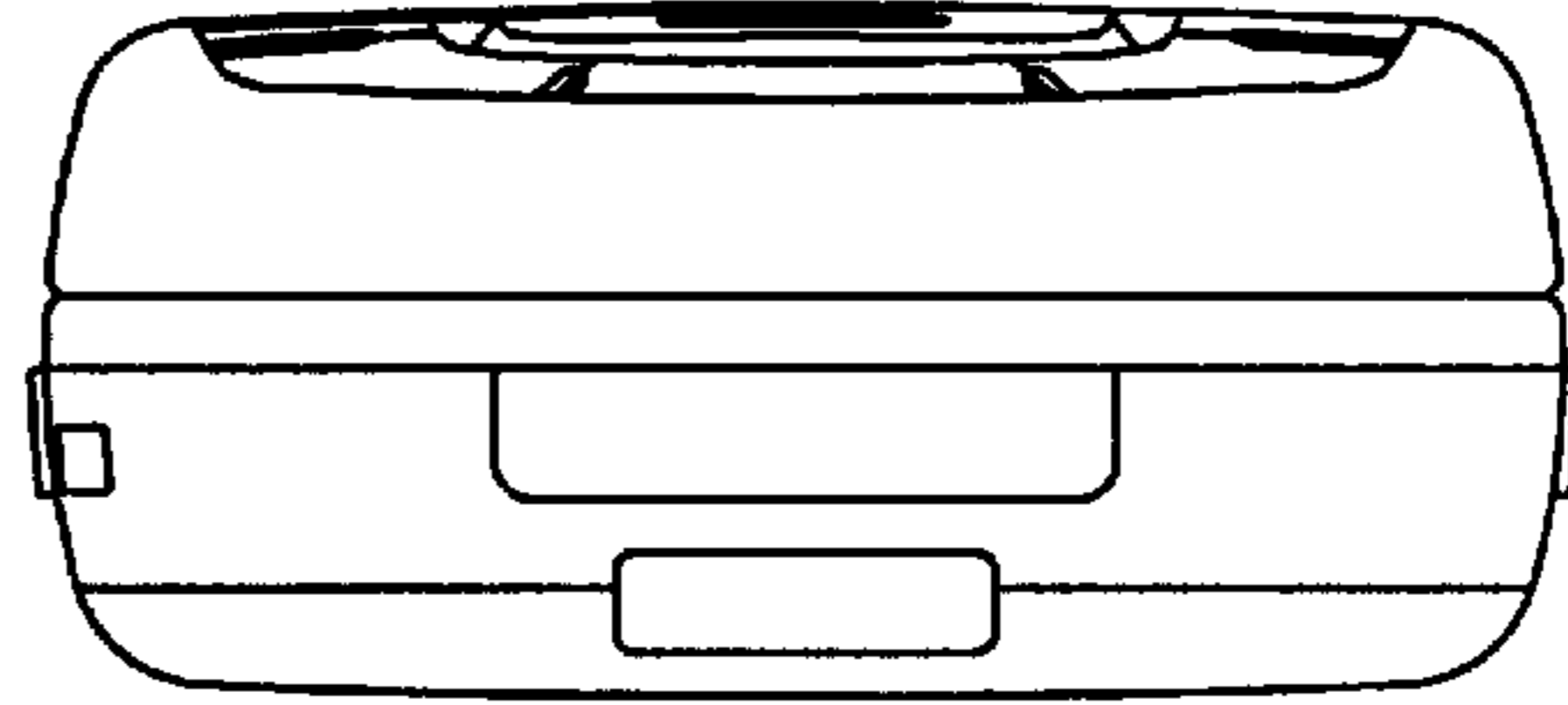


FIG. 8

