



US00D528531S

(12) **United States Design Patent**  
**Rose et al.**

(10) **Patent No.:** **US D528,531 S**

(45) **Date of Patent:** **\*\* Sep. 19, 2006**

(54) **HANDSET**

(75) Inventors: **Scott D. Rose**, Waterloo (CA); **Chris K C Leung**, Waterloo (CA)

(73) Assignee: **Research In Motion Limited**, Ontario (CA)

(\*\*) Term: **14 Years**

(21) Appl. No.: **29/231,094**

(22) Filed: **Jun. 1, 2005**

(51) **LOC (8) Cl.** ..... **14-03**

(52) **U.S. Cl.** ..... **D14/138; D14/147; D14/248; D14/206**

(58) **Field of Classification Search** ..... D14/137-138, D14/142, 159, 191, 347, 147-150, 205-206, D14/218, 248; 379/428.01, 428.02, 433.01, 379/433.04, 433.07, 434; D21/329, 333, D21/517

See application file for complete search history.

(56) **References Cited**

**U.S. PATENT DOCUMENTS**

D74,528 S	*	2/1928	Wilcox	.....	D14/248
D196,921 S	*	11/1963	Maltke	.....	D14/147
D210,775 S	*	4/1968	Dreyfuss	.....	D14/248
D284,761 S	*	7/1986	Ryan	.....	D14/147
D300,743 S	*	4/1989	Zaugg et al.	.....	D14/147
D339,128 S	*	9/1993	Claxton et al.	.....	D14/138
D344,943 S	*	3/1994	Kajita et al.	.....	D14/138
D345,157 S	*	3/1994	Happo et al.	.....	D14/138
D352,028 S	*	11/1994	Siddoway et al.	.....	D14/138
D352,930 S	*	11/1994	Tsuji	.....	D13/168
D354,960 S	*	1/1995	Viemeister et al.	.....	D14/248
D355,181 S	*	2/1995	Siddoway	.....	D14/138
D357,921 S	*	5/1995	Ming-Chin	.....	D14/223
D366,876 S	*	2/1996	Labohm	.....	D14/218
D369,357 S	*	4/1996	Ford et al.	.....	D14/248
D378,678 S	*	4/1997	Tyneski et al.	.....	D14/137
D382,874 S	*	8/1997	Peschke et al.	.....	D14/142
D391,578 S	*	3/1998	Brunner et al.	.....	D14/248
D394,065 S	*	5/1998	Nuttall et al.	.....	D14/248
D405,787 S	*	2/1999	Renk	.....	D14/147

D410,647 S	*	6/1999	Lytel	.....	D14/147
D418,517 S	*	1/2000	IP	.....	D14/248
D429,713 S	*	8/2000	Lytel	.....	D14/147
D477,821 S	*	7/2003	Bieltvedt et al.	.....	D14/206
D504,884 S	*	5/2005	Hering	.....	D14/206
D508,485 S	*	8/2005	Katsumata	.....	D14/223
D509,210 S	*	9/2005	Skulley et al.	.....	D14/205
D512,991 S	*	12/2005	Yano	.....	D14/223
D514,549 S	*	2/2006	Rath et al.	.....	D14/223
D517,440 S	*	3/2006	Gehalo et al.	.....	D10/106
2004/0062388 A1	*	4/2004	MacDonald et al.	...	379/433.03

**FOREIGN PATENT DOCUMENTS**

WO DM/056543 \* 6/2001

**OTHER PUBLICATIONS**

“Jabra BT800 Wireless Cell Phone Headset”, 1 p including photo, [online], <URL:http://www.hellodirect.com/catalog/Product.jhtml?CATID=2043&PRODID=10005>, site visited Apr. 13, 2006.\*

\* cited by examiner

*Primary Examiner*—Gary D. Watson

*Assistant Examiner*—Carla Jobe Wright

(74) *Attorney, Agent, or Firm*—Brij K. Agarwal; Eckert Seamans Cherin & Mellott, LLC

(57) **CLAIM**

The ornamental design for a handset, as shown and described.

**DESCRIPTION**

FIG. 1 is a perspective view of a handset depicting our new design;

FIG. 2 is another perspective view thereof;

FIG. 3 is a top plan view thereof;

FIG. 4 is a left side elevational view thereof;

FIG. 5 is a front elevational view thereof;

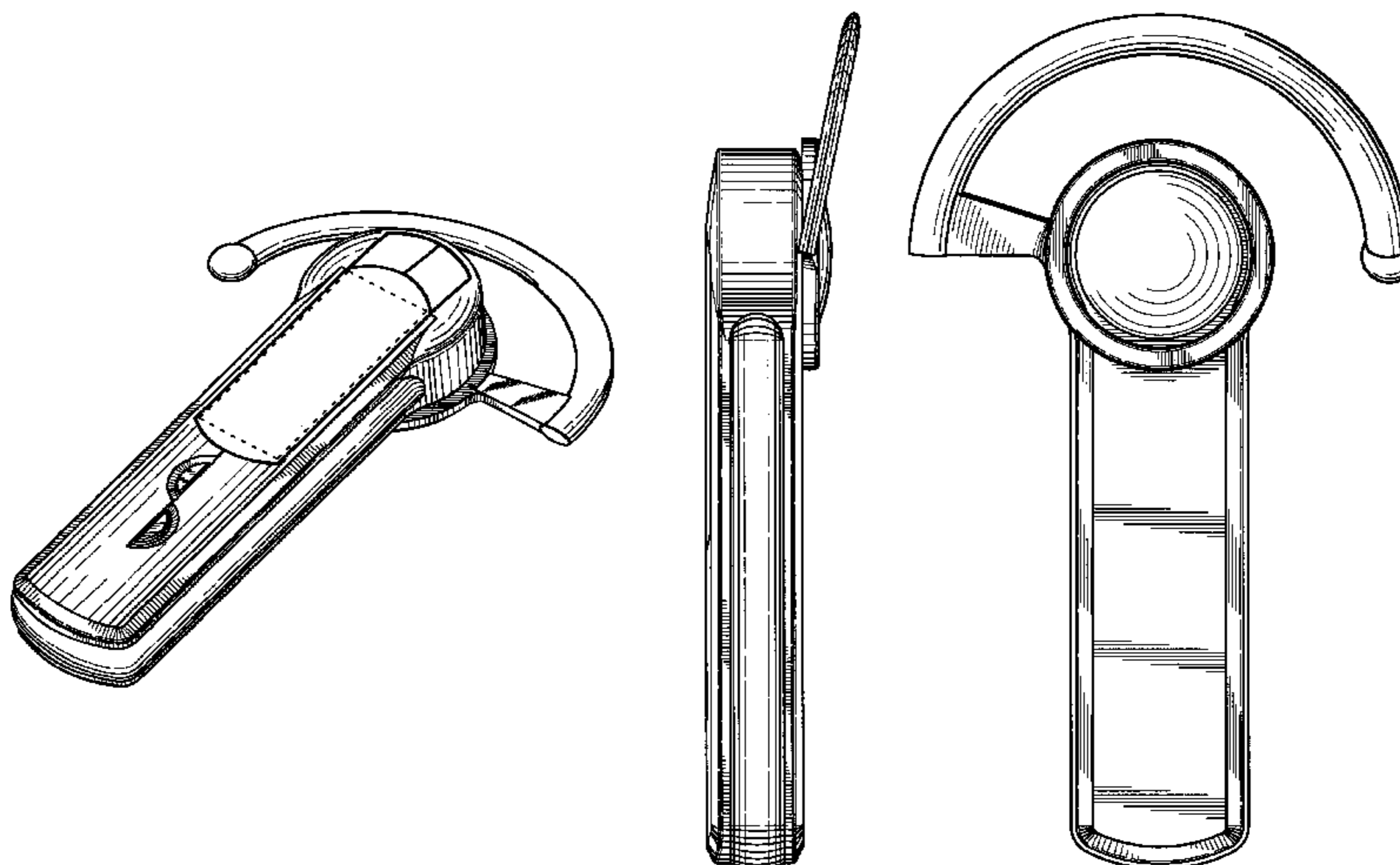
FIG. 6 is a right side elevational view thereof;

FIG. 7 is a rear elevational view thereof; and,

FIG. 8 is a bottom plan view thereof.

The broken lines shown in the drawings are for illustrative purposes only and form no part of the claimed design.

**1 Claim, 3 Drawing Sheets**



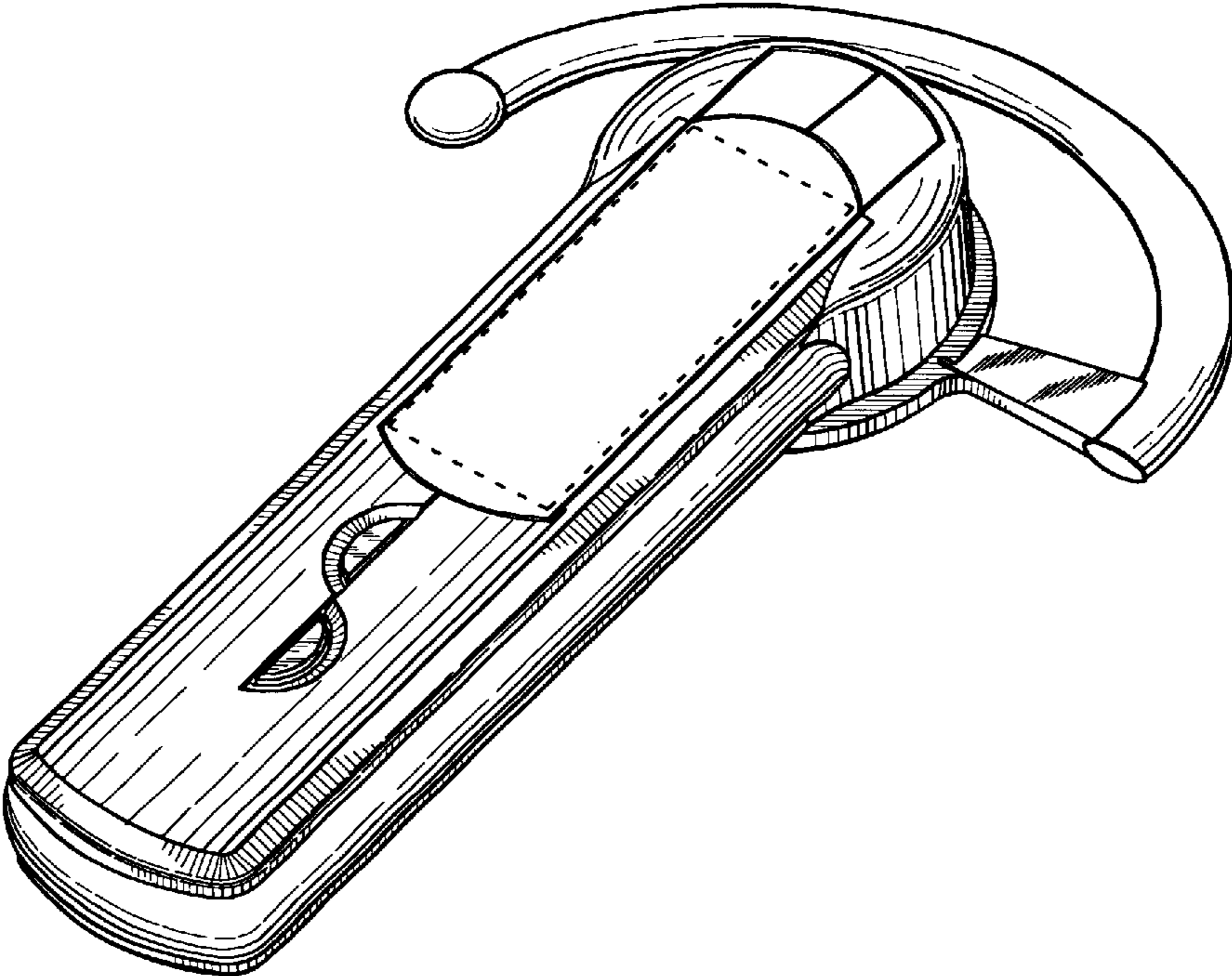


FIG.1

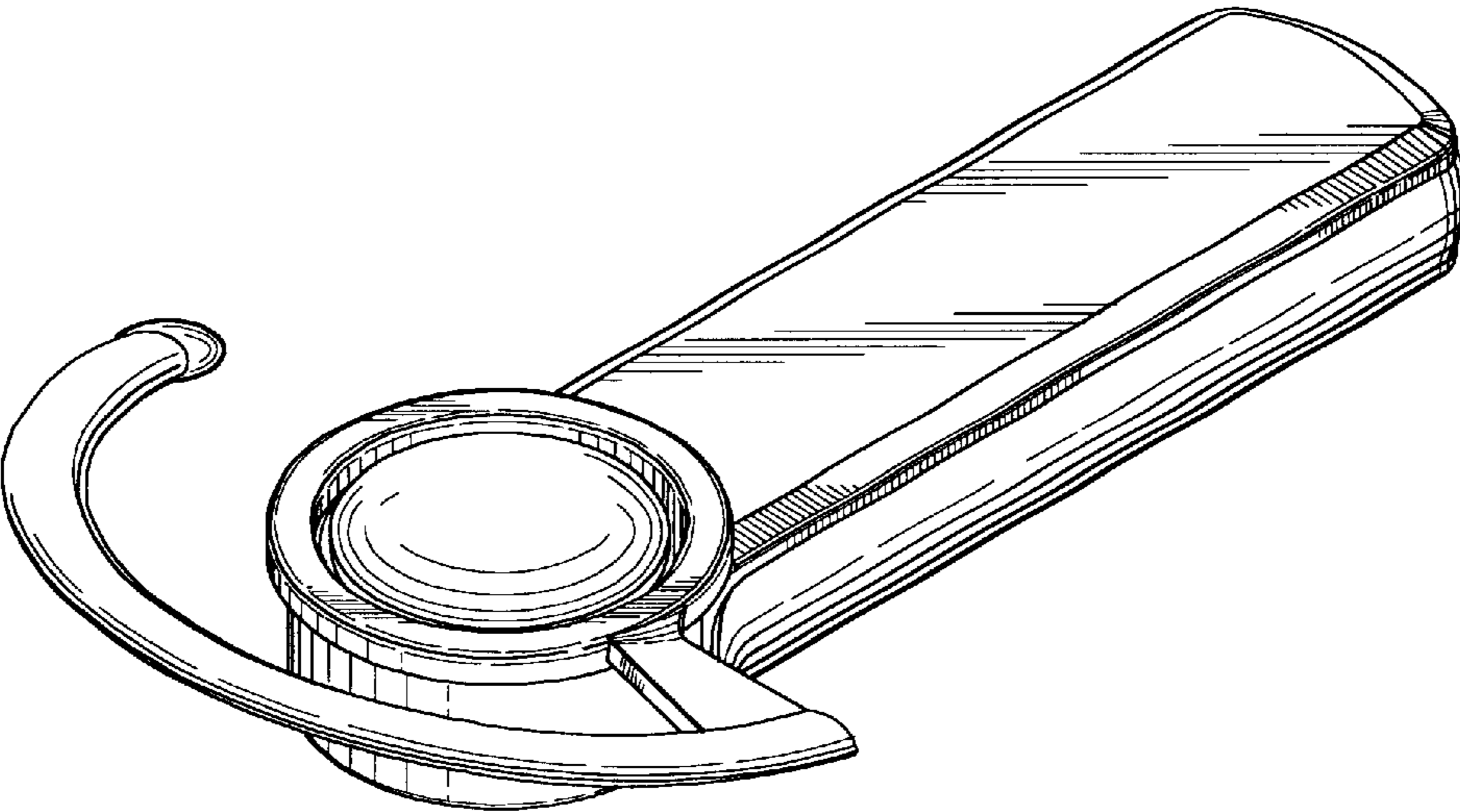


FIG.2

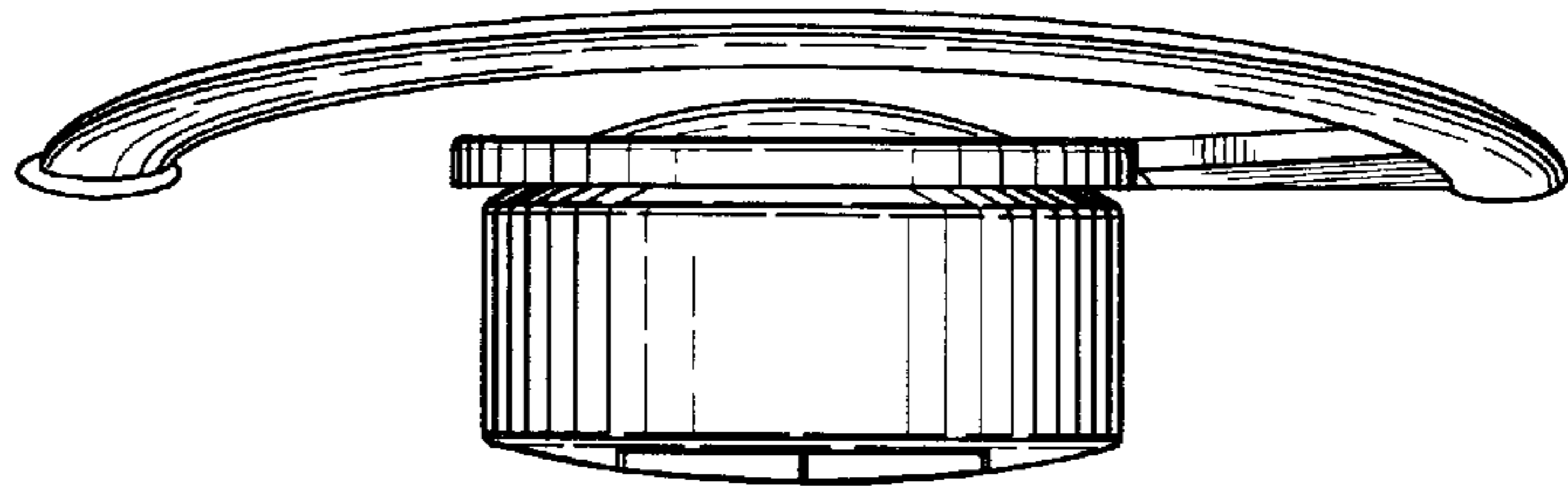


FIG.3

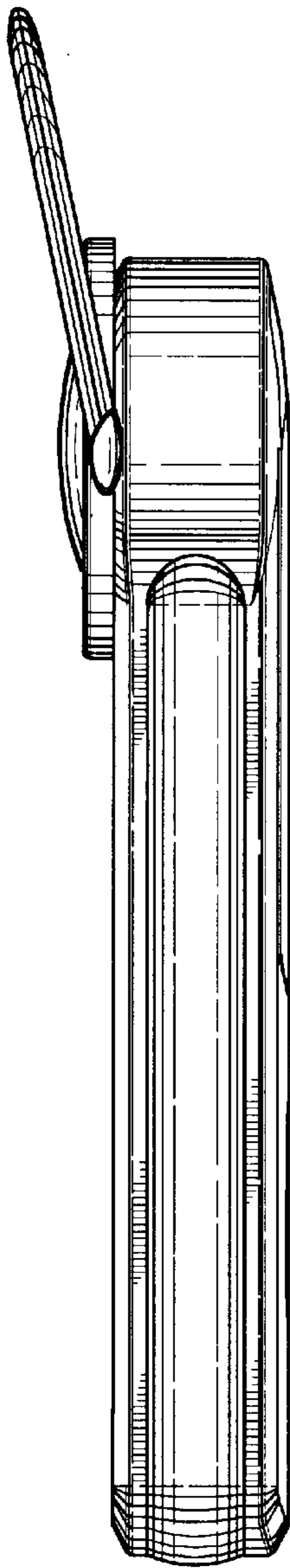


FIG.4

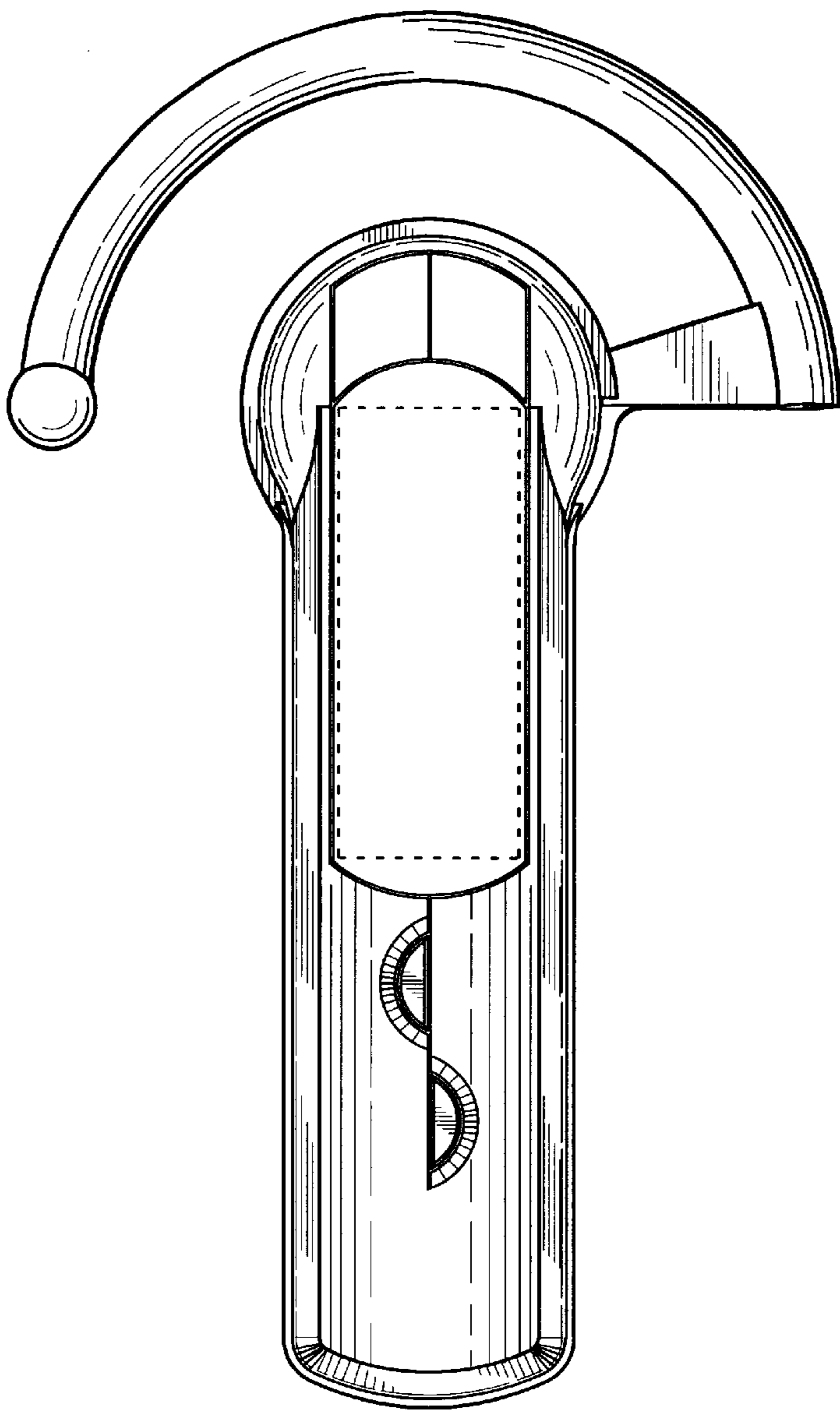


FIG.5

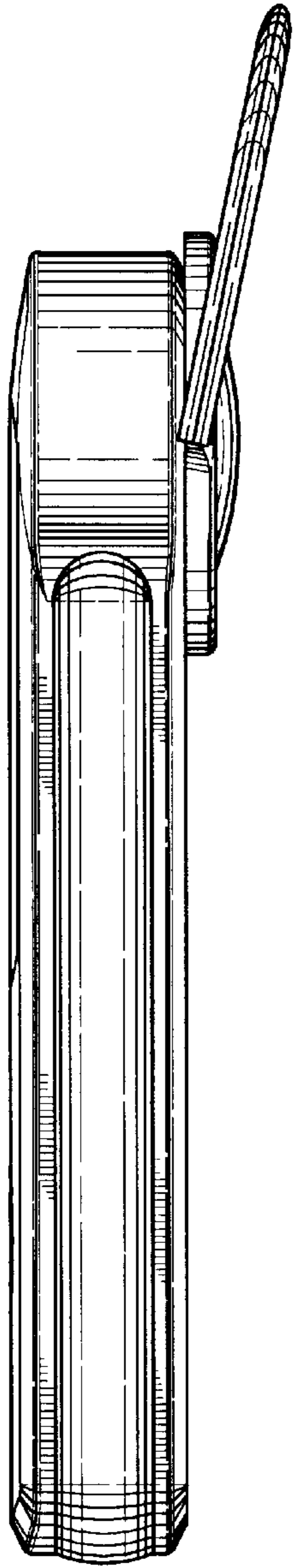


FIG. 6

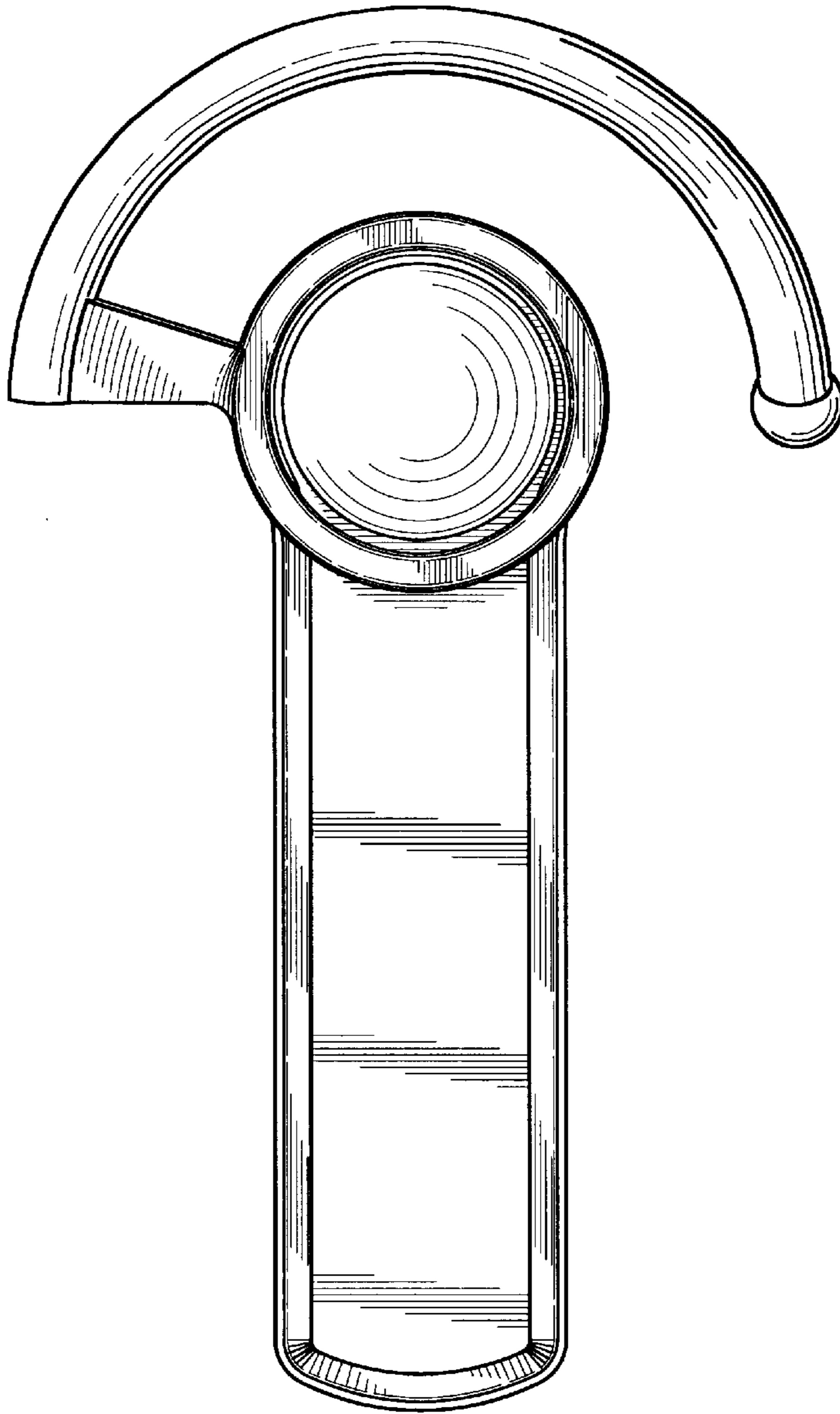


FIG. 7

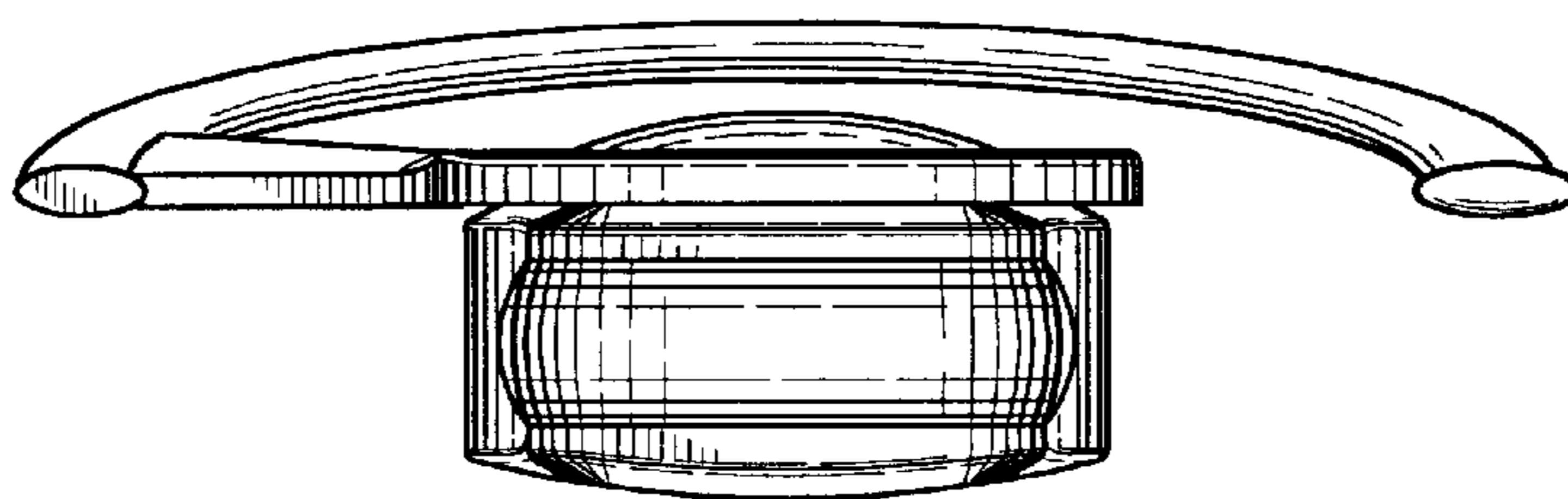


FIG. 8