

US00D528530S

(12) **United States Design Patent**
Rose et al.

(10) **Patent No.:** **US D528,530 S**

(45) **Date of Patent:** **** Sep. 19, 2006**

(54) **HANDSET**

(75) Inventors: **Scott D. Rose**, Waterloo (CA); **Chris K. C. Leung**, Waterloo (CA)

(73) Assignee: **Research in Motion Limited**, Ontario (CA)

(**) Term: **14 Years**

(21) Appl. No.: **29/231,093**

(22) Filed: **Jun. 1, 2005**

(51) **LOC (8) Cl.** **14-03**

(52) **U.S. Cl.** **D14/138; D14/147; D14/248**

(58) **Field of Classification Search** D14/137-138, D14/142, 159, 191, 347, 147-150, 205-206, D14/218, 248; 379/428.01, 428.02, 433.01, 379/433.04, 433.07, 434; D21/329, 333, D21/517
See application file for complete search history.

(56) **References Cited**

U.S. PATENT DOCUMENTS

D284,858 S	*	7/1986	Kao	D14/248
D373,588 S	*	9/1996	Bowen et al.	D14/218
D378,093 S	*	2/1997	Rutter et al.	D14/218
D383,462 S	*	9/1997	Martz et al.	D14/218
D387,352 S	*	12/1997	Kaneko et al.	D14/218
D393,628 S	*	4/1998	Ledbetter et al.	D13/168
D396,232 S	*	7/1998	Renk et al.	D14/218
D396,233 S	*	7/1998	Renk et al.	D14/218
D407,709 S	*	4/1999	Stokes	D14/248
D412,169 S	*	7/1999	Schnell et al.	D14/138
D417,670 S	*	12/1999	Capps et al.	D14/218
D424,577 S	*	5/2000	Backs et al.	D13/168
D429,714 S	*	8/2000	Lytel	D14/147
D430,130 S	*	8/2000	Lytel	D14/147
D430,861 S	*	9/2000	Lytel	D14/147
D444,454 S	*	7/2001	Hanna et al.	D14/138
D446,512 S	*	8/2001	Lee	D14/248
D448,744 S	*	10/2001	Yu et al.	D14/138

D450,675 S	*	11/2001	Kim et al.	D14/138
D453,753 S	*	2/2002	Ahn	D14/218
D454,869 S	*	3/2002	Becker et al.	D14/248
D478,893 S	*	8/2003	Corander	D14/218
D489,364 S	*	5/2004	Salmi	D14/248
D490,409 S	*	5/2004	Mehandjiysky	D14/248
D496,927 S	*	10/2004	Johansson	D14/248
D499,395 S	*	12/2004	Hsu	D14/218
D508,482 S	*	8/2005	Pardo	D14/218
D517,530 S	*	3/2006	Mabry et al.	D14/218
2003/0138097 A1	*	7/2003	Fuhrmann et al.	379/428.01

FOREIGN PATENT DOCUMENTS

WO	DM/048822	*	8/1999
WO	DM/051744	*	4/2000
WO	DM/063714	*	3/2003

* cited by examiner

Primary Examiner—Charles A. Rademaker

Assistant Examiner—Carla Jobe Wright

(74) *Attorney, Agent, or Firm*—Brij K. Agarwal; Eckert Seamans Cherin & Mellott, LLC

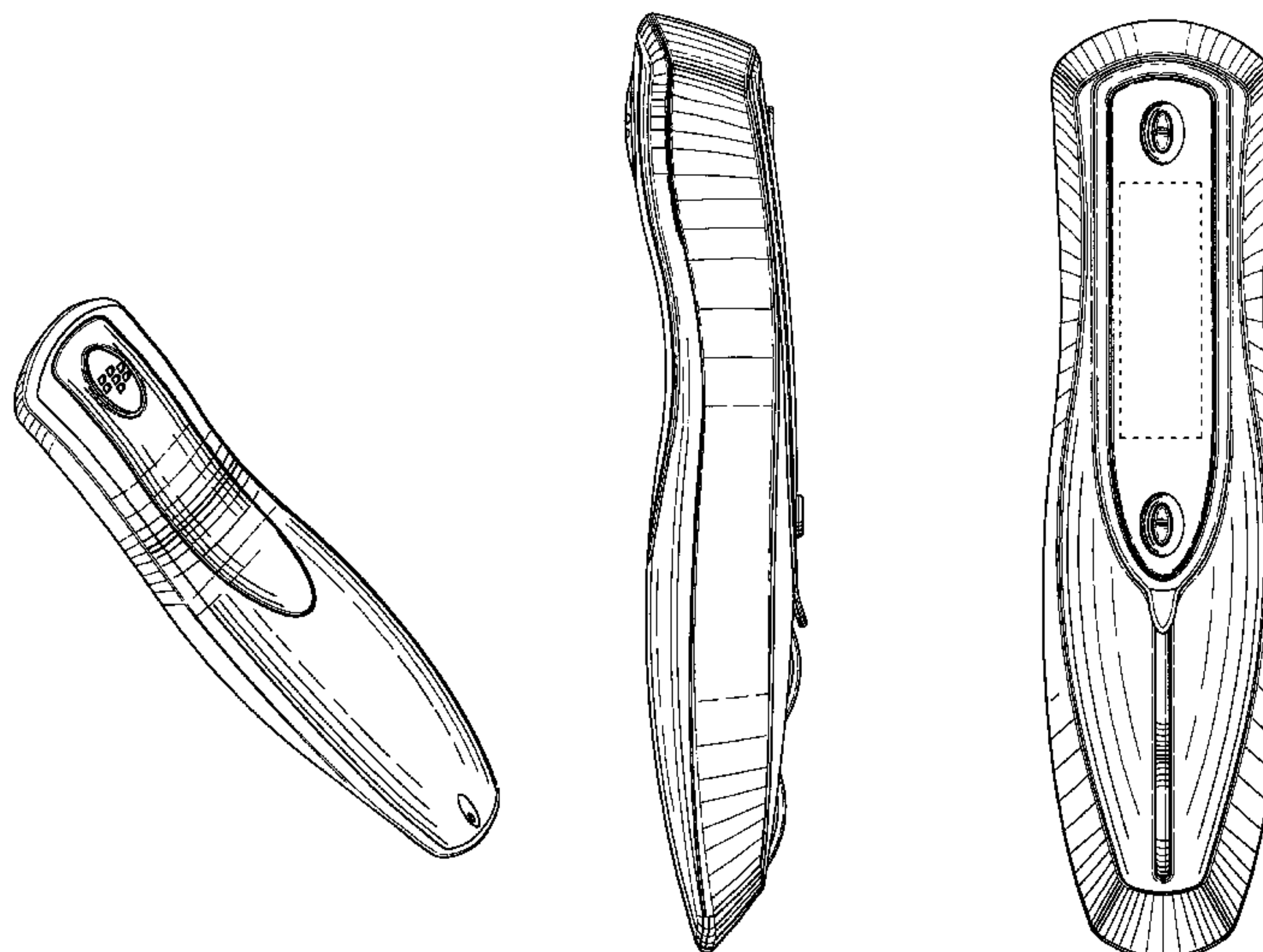
(57) **CLAIM**

The ornamental design for a handset, as shown and described.

DESCRIPTION

FIG. 1 is a perspective view of a handset depicting our new design;
FIG. 2 is another perspective view thereof;
FIG. 3 is a left side elevational view thereof;
FIG. 4 is a front elevational view thereof;
FIG. 5 is a bottom view thereof;
FIG. 6 is a top plan view thereof;
FIG. 7 is a right side elevational view thereof; and,
FIG. 8 is a rear elevational view thereof.
The broken line showing of the rectangular feature on the front of the handset in FIGS. 1, 4, and 6 is for illustrative purposes only and forms no part of the claimed design.

1 Claim, 3 Drawing Sheets



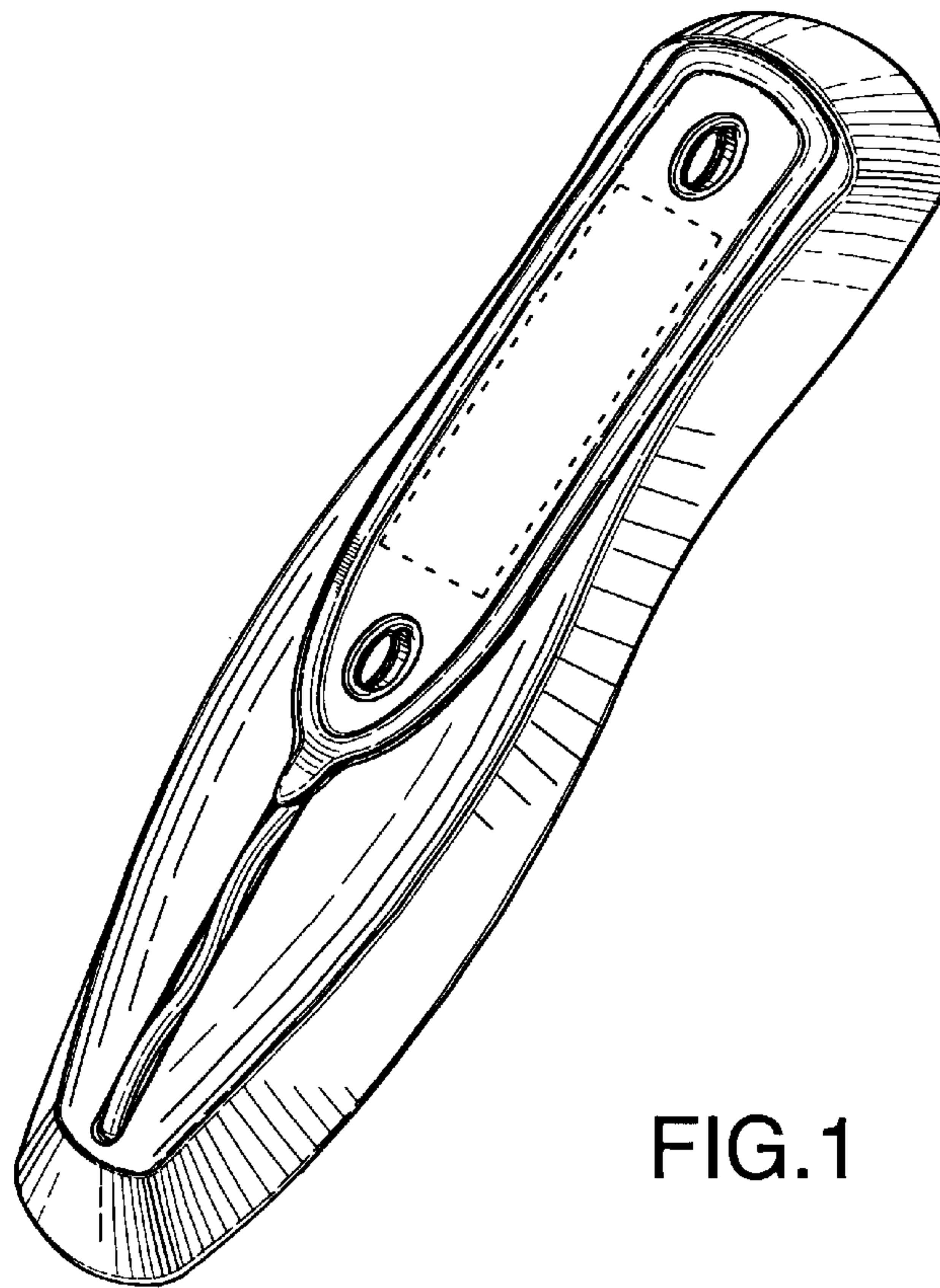


FIG.1

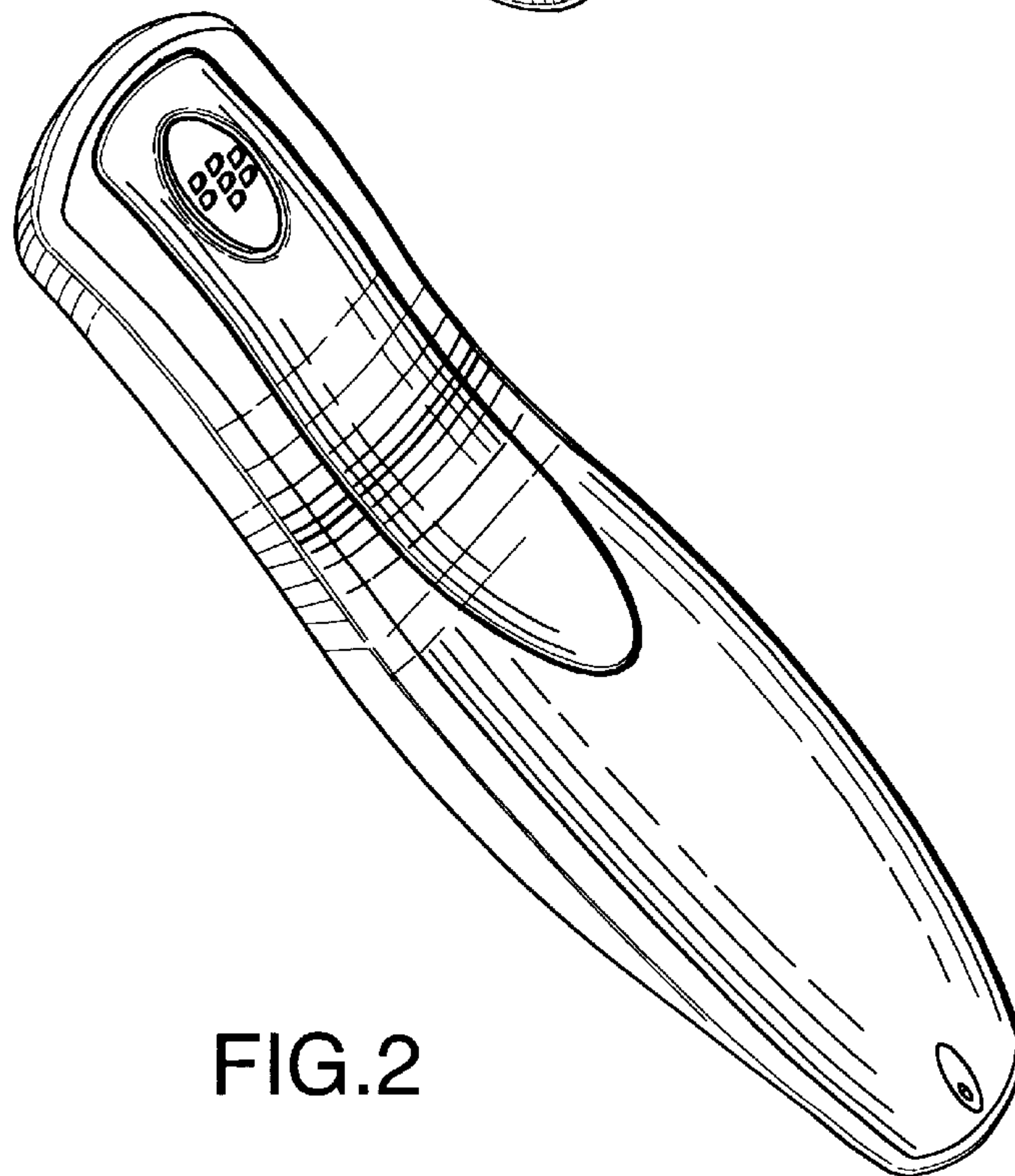


FIG.2

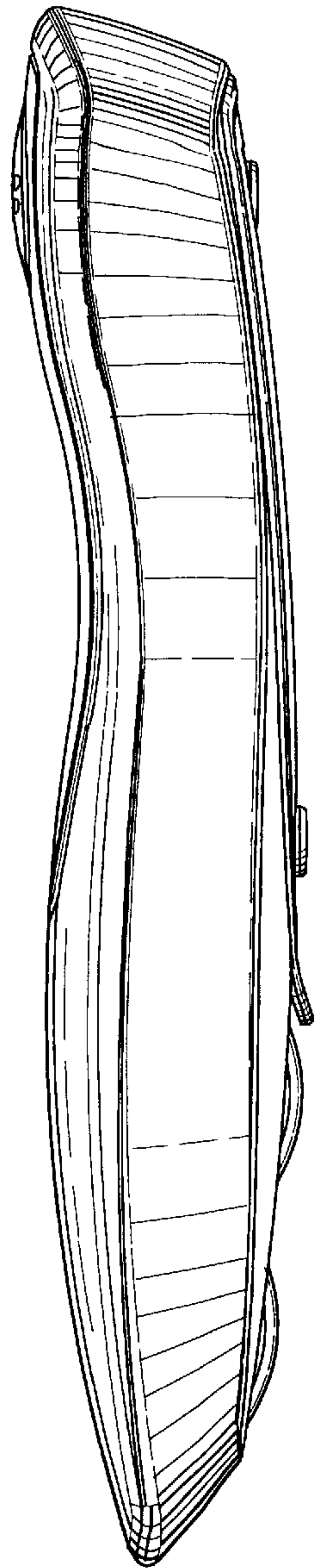


FIG.3

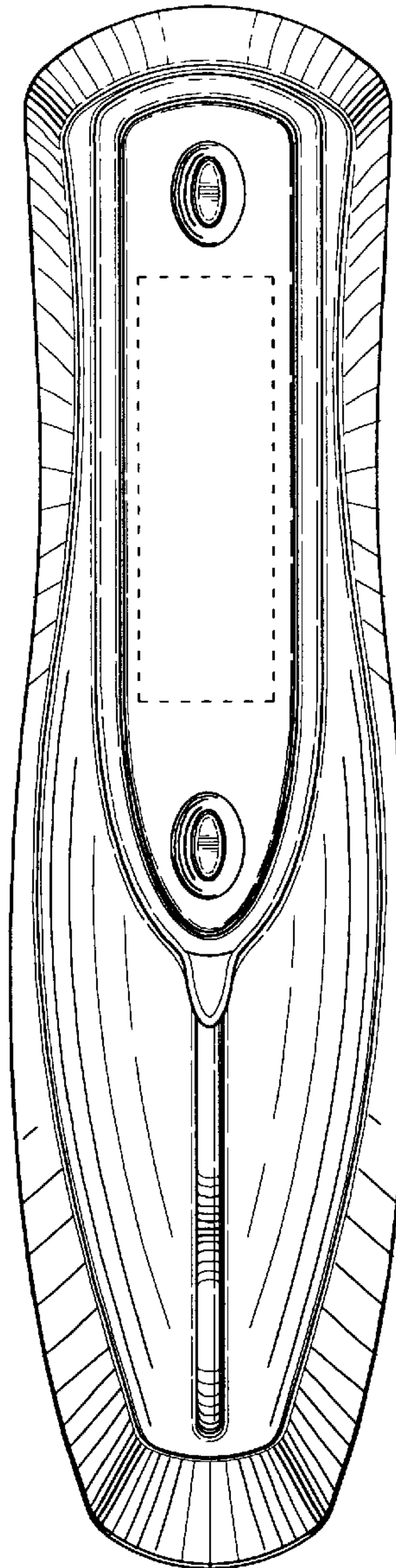


FIG.4

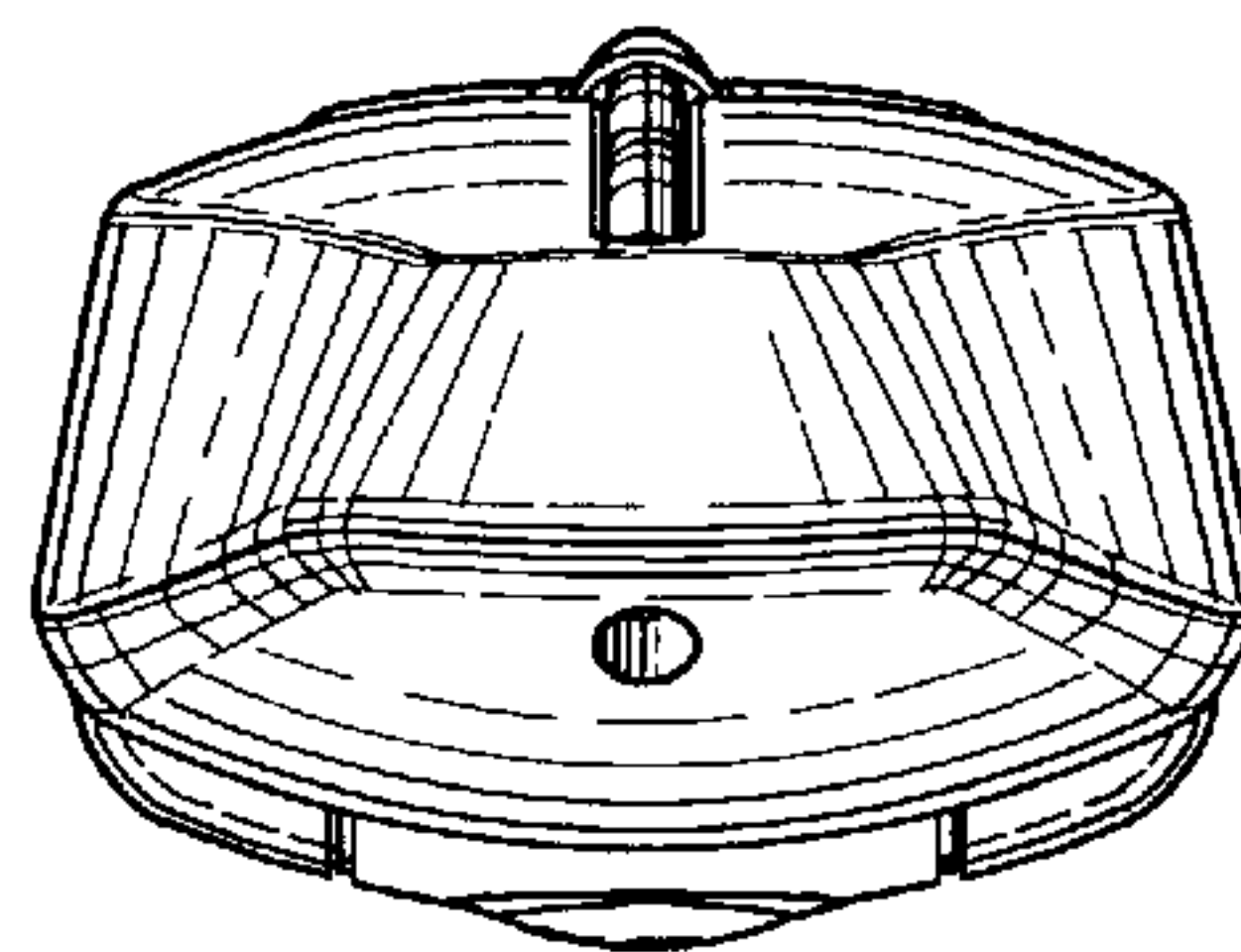


FIG.5

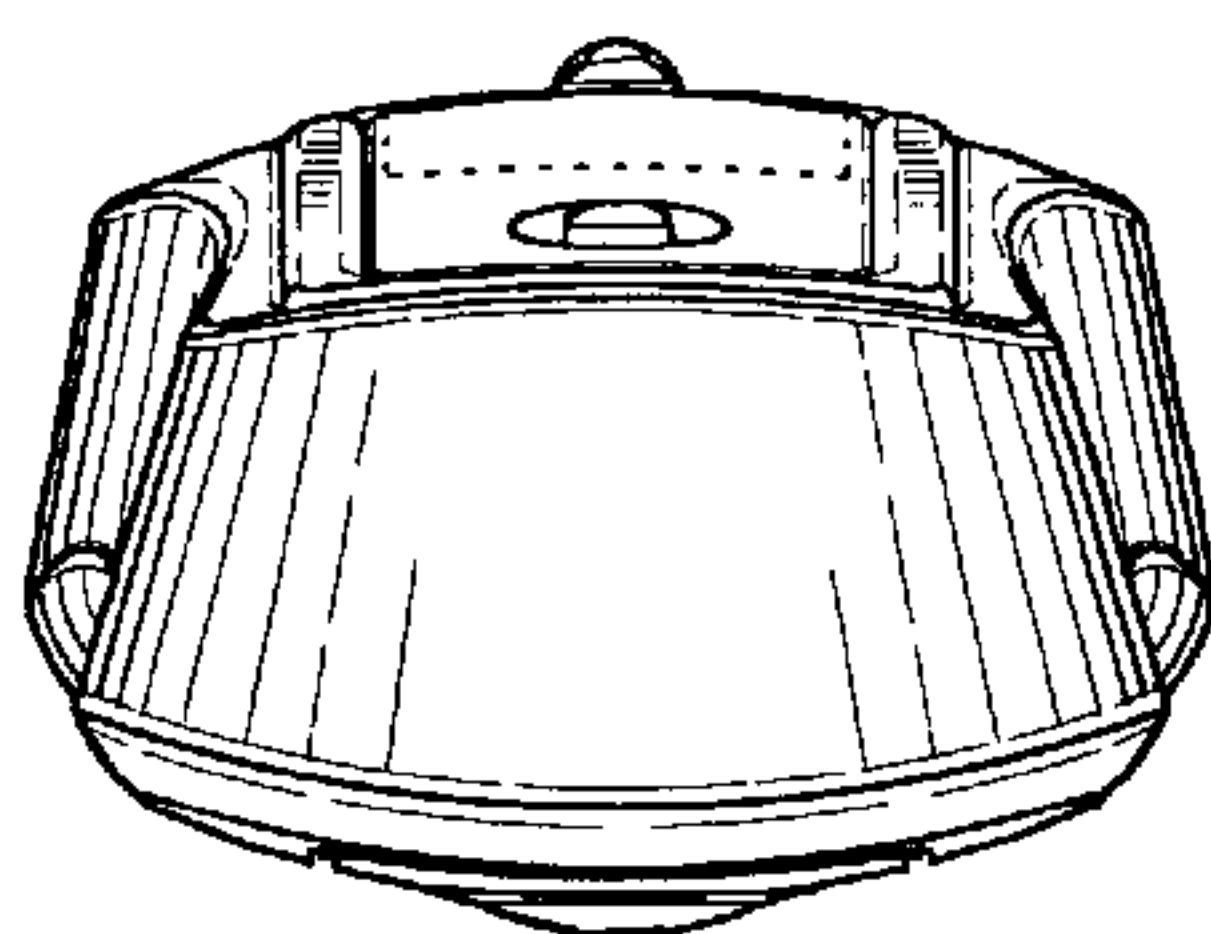


FIG. 6

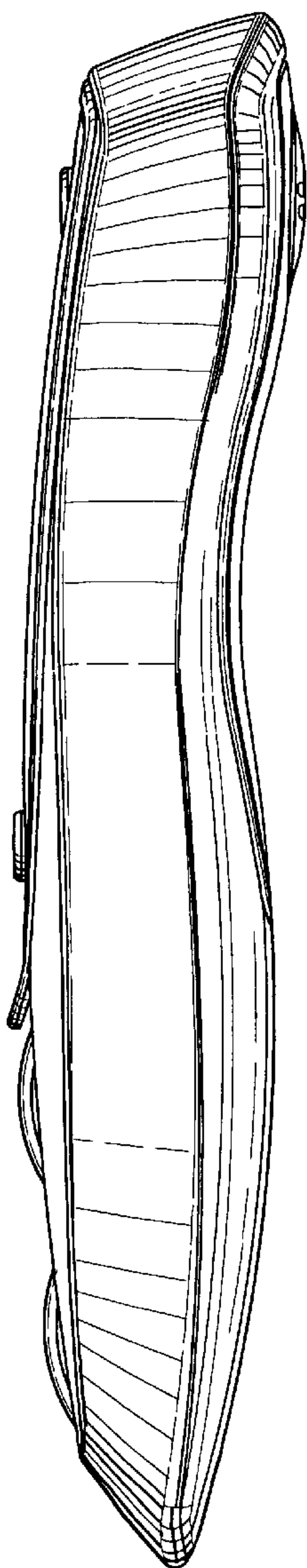


FIG. 7

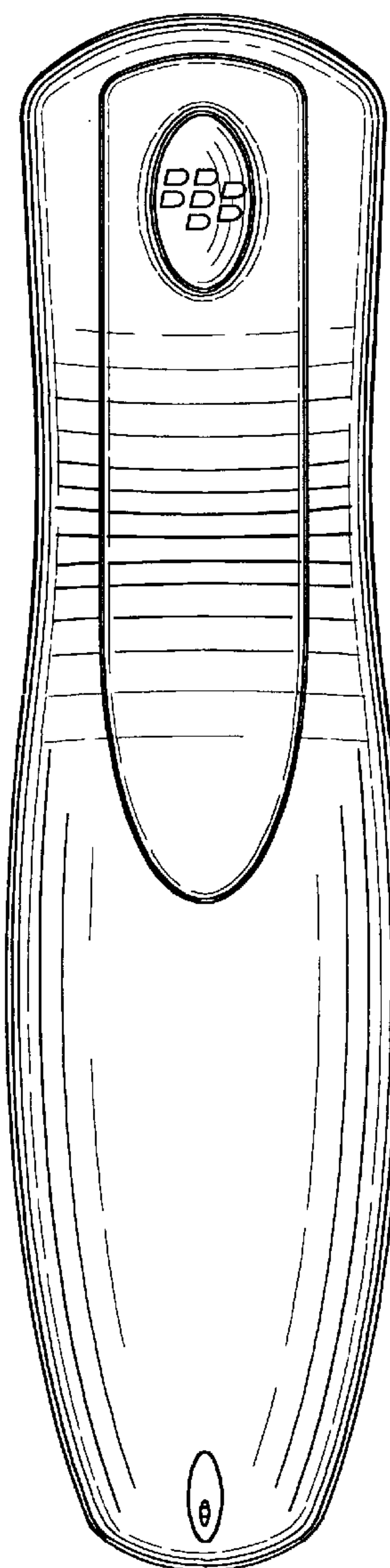


FIG. 8

UNITED STATES PATENT AND TRADEMARK OFFICE
CERTIFICATE OF CORRECTION

PATENT NO. : Des. 528,530 S
APPLICATION NO. : 29/231093
DATED : September 19, 2006
INVENTOR(S) : Scott D. Rose et al.

Page 1 of 1

It is certified that error appears in the above-identified patent and that said Letters Patent is hereby corrected as shown below:

Title page, in the Description, Fig. 5, the word --plan-- should be inserted after the word "bottom"

Signed and Sealed this

Sixth Day of February, 2007

A handwritten signature in black ink on a light gray dotted background. The signature reads "Jon W. Dudas" in a cursive style.

JON W. DUDAS

Director of the United States Patent and Trademark Office