



US00D528528S

(12) **United States Design Patent**
Moon et al.

(10) **Patent No.:** **US D528,528 S**
(45) **Date of Patent:** **** Sep. 19, 2006**

(54) **PORTABLE TELEPHONE**

FOREIGN PATENT DOCUMENTS

(75) Inventors: **Ji-Hyun Moon**, Seoul (KR); **Beom-ku Han**, Seoul (KR); **Chang-Hwan Hwang**, Seoul (KR)

JP D1154363 9/2002

(73) Assignee: **Samsung Electronics Co., Ltd.**,
Kyunggi-do (KR)

OTHER PUBLICATIONS

(**) Term: **14 Years**

(21) Appl. No.: **29/226,418**

(22) Filed: **Mar. 29, 2005**

(51) **LOC (8) Cl.** **14-03**

(52) **U.S. Cl.** **D14/138**

(58) **Field of Classification Search** D14/137,
D14/138, 147-148, 247-248, 144, 496, 156,
D14/341-347, 191, 192; 379/433.01-433.13;
455/575.4, 566, 575.1, 556.1, 556.2, 90.3;
D21/329, 331, 333, 517; D16/208

See application file for complete search history.

LG M6100 telephone, announced Jan. 2006 , [online],
[retrieved on Mar. 26, 2006]. Retrieved from Internet ,URL:
<http://www.gsmarena.com>>.*

Panasonic X500 telephone, announced 2nd quarter 2004 ,
[online], [retrieved on Apr. 3, 2006]. Retrieved from Internet ,
URL: <http://www.gsmarena.com>>.*

Pantech PG-3600V telephone, announced Feb. 2006 , [on-
line], [retrieved on Apr. 3, 2006]. Retrieved from Internet ,
URL: <http://www.gsmarena.com>>.*

Pantech PG3000 telephone, announced first quarter 2005,
[online], [retrieved on Apr. 3, 2006]. Retrieved from Internet ,
URL: <http://www.gsmarena.com>>.*

Sony Ericsson S600 telephone, announced Jun. 2005,
[online], [retrieved on Mar. 26, 2006]. Retrieved from Internet,
URL: <http://www.gsmarena.com>>.*

U.S. Appl. No. 29/204,878, Applicant: Bum-Soo Park, et
al., filed May 5, 2004 entitled Portable Telephone.

(56) **References Cited**

U.S. PATENT DOCUMENTS

D208,165 S	*	7/1967	Boldt	D14/192
D239,733 S	*	4/1976	Vong	D14/192
5,027,394 A		6/1991	Ono et al.		
D357,919 S	*	5/1995	Tsui	D14/218
5,428,350 A		6/1995	Kurcbart et al.		
5,436,954 A		7/1995	Nishiyama et al.		
D407,716 S		4/1999	Park		
D407,717 S		4/1999	Kim		
D407,718 S		4/1999	Lee		
D410,920 S		6/1999	Lee et al.		
D411,537 S		6/1999	Lee		
D414,765 S		10/1999	Park		
D415,151 S		10/1999	Kim		
D415,488 S		10/1999	Lee		
6,069,648 A		5/2000	Suso et al.		
D431,827 S		10/2000	Yim		
D441,735 S	*	5/2001	Katayama	D14/156
D442,569 S	*	5/2001	Hanna et al.	D14/138
D448,757 S	*	10/2001	Okubo	D14/218

(Continued)

(Continued)

Primary Examiner—Jeffrey Asch

(74) *Attorney, Agent, or Firm*—Flynn, Thiel, Boutell &
Tanis, P.C.

(57) **CLAIM**

We claim the ornamental design for a portable telephone, as
shown and described.

DESCRIPTION

FIG. 1. is a top front perspective view of a portable tele-
phone showing our new design.

FIG. 2. is a front elevational view thereof.

FIG. 3. is a rear elevational view thereof.

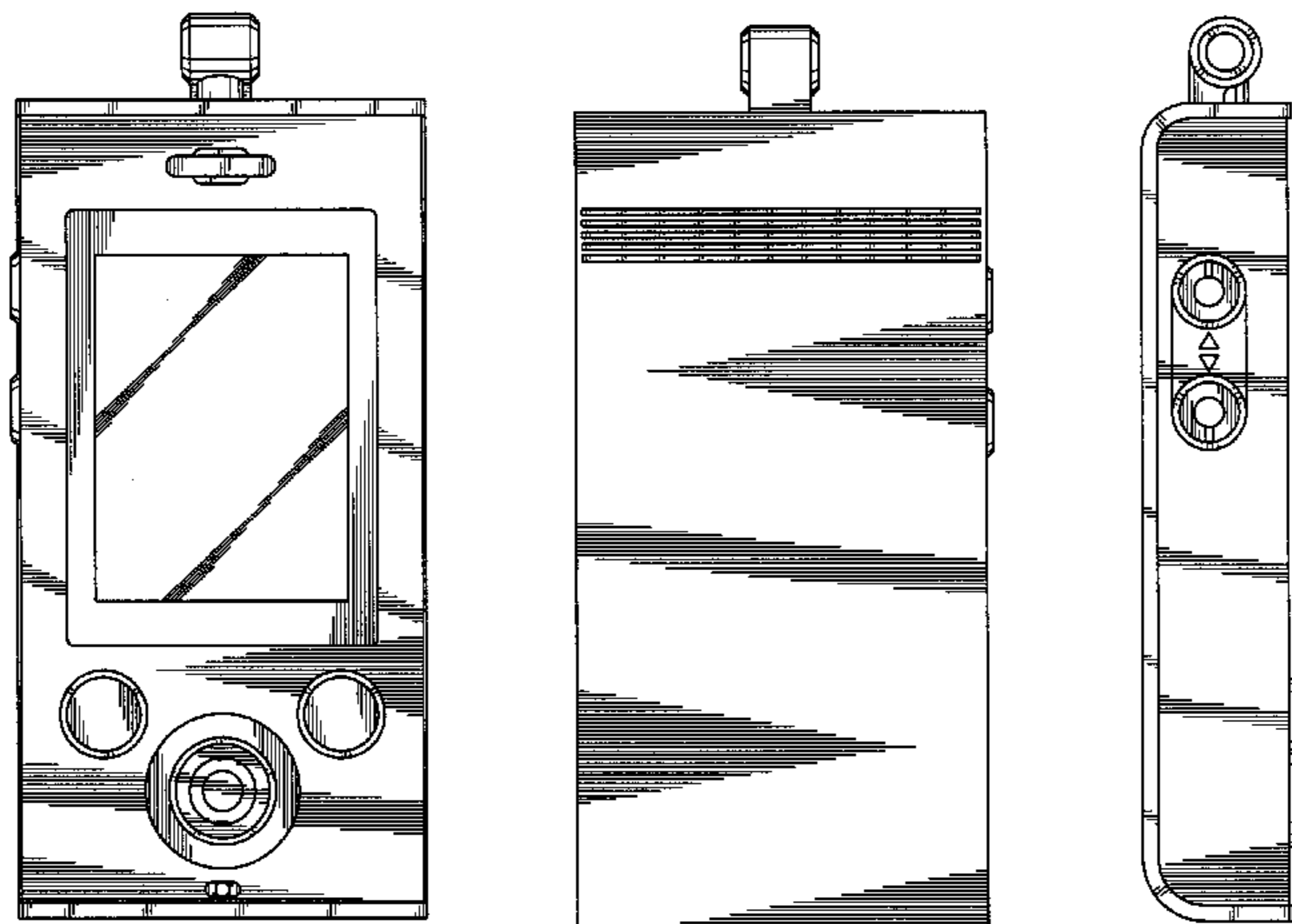
FIG. 4. is a left side elevational view thereof.

FIG. 5. is a right side elevational view thereof.

FIG. 6. is a top plan view thereof; and,

FIG. 7. is a bottom plan view thereof.

1 Claim, 5 Drawing Sheets



U.S. PATENT DOCUMENTS

6,389,267	B1	5/2002	Imai	
6,396,924	B1	5/2002	Suso et al.	
D458,594	S	6/2002	Jang	
D460,448	S	* 7/2002	Matsumoto	D14/346
D477,293	S	7/2003	Hwang	
D478,889	S	* 8/2003	Kulkarni	D14/160
D479,527	S	* 9/2003	Eigenstetter et al.	D14/346
D484,862	S	1/2004	Yang	
D484,863	S	1/2004	Chan	
D485,249	S	1/2004	Liao et al.	
D485,818	S	1/2004	Yabe et al.	
D486,811	S	2/2004	Lheem	
D487,443	S	3/2004	Yoon	
D487,444	S	3/2004	Yoon	
D488,453	S	4/2004	Chang et al.	
D488,471	S	* 4/2004	Yagawa et al.	D14/346
D488,483	S	* 4/2004	Hu	D14/496
D489,052	S	* 4/2004	Shiraki et al.	D14/156
D489,698	S	5/2004	Kim et al.	
D489,699	S	5/2004	Hwang et al.	
D490,068	S	* 5/2004	Chen	D14/156
D490,389	S	5/2004	Yang	
D491,906	S	6/2004	Okamatsu	
D491,907	S	6/2004	Ogawa	
D492,665	S	* 7/2004	Lee	D14/218
D493,439	S	7/2004	Hong et al.	
D493,440	S	7/2004	Chou et al.	
D493,457	S	* 7/2004	Hsu	D14/346
D494,188	S	* 8/2004	Huang	D14/496
6,785,395	B1	* 8/2004	Arneson et al.	381/334
D495,672	S	9/2004	Jeon et al.	
D495,674	S	9/2004	Yoo et al.	
D496,020	S	9/2004	Lee	
D496,021	S	9/2004	Jang	
D496,645	S	* 9/2004	Yoo et al.	D14/138
D498,736	S	* 11/2004	Lee	D14/138
D500,993	S	1/2005	Hwang	
D501,458	S	2/2005	Kim et al.	
D501,658	S	2/2005	Park et al.	
D501,837	S	2/2005	Kim et al.	
D501,838	S	2/2005	Kim et al.	
D502,161	S	2/2005	Kim et al.	
D503,164	S	3/2005	Park et al.	
D504,406	S	4/2005	Cho et al.	
D506,454	S	6/2005	Kim et al.	
D506,738	S	6/2005	Kim et al.	
D507,252	S	7/2005	Kim et al.	
D508,029	S	* 8/2005	Lee	D14/138
D509,206	S	* 9/2005	Jang	D14/138
D509,813	S	* 9/2005	Miyazawa et al.	D14/138
D510,937	S	* 10/2005	Tsai	D14/496
D513,011	S	* 12/2005	Johnson	D14/496
D513,512	S	* 1/2006	Tsai	D14/496
2001/0036845	A1	11/2001	Park	
2002/0187818	A1	12/2002	Kang	
2003/0109232	A1	6/2003	Park et al.	
2004/0009790	A1	1/2004	Im	
2004/0023684	A1	2/2004	Sato et al.	
2004/0097258	A1	5/2004	Lee et al.	
2004/0097262	A1	5/2004	Lee	
2004/0132513	A1	7/2004	Taneda et al.	
2004/0142718	A1	7/2004	Kim	
2004/0142734	A1	7/2004	Kim	
2005/0049019	A1	* 3/2005	Lee	455/575.4
2006/0025184	A1	* 2/2006	Cho et al.	455/575.4

OTHER PUBLICATIONS

U.S. Appl. No. 29/204,882, Applicant: Jin-Soo Kim, et al., filed May 5, 2004 entitled Portable Telephone.

U.S. Appl. No. 29/204,874, Applicant: Jin-Soo Kim, et al., filed May 5, 2004 entitled Portable Telephone.
 U.S. Appl. No. 29/204,875, Applicant: Jin-Soo Kim, et al., filed May 5, 2004 entitled Portable Telephone.
 U.S. Appl. No. 29/204,883, Applicant: Jin-Soo Kim, et al., filed May 5, 2004 entitled Portable Telephone.
 U.S. Appl. No. 29/205,555, Applicant: Chi-Young Ahn, et al., filed May 17, 2004 entitled Portable Telephone.
 U.S. Appl. No. 29/205,559, Applicant: Chi-Young Ahn, et al., filed May 17, 2004 entitled Portable Telephone.
 U.S. Appl. No. 29/205,546, Applicant: Chi-Young Ahn, et al., filed May 17, 2004 entitled Portable Telephone.
 U.S. Appl. No. 29/214,253, Applicant: Hye-Jeong Lee, et al., filed Sep. 27, 2004 entitled Portable Telephone.
 U.S. Appl. No. 29/216,563, Applicant: Jin-Soo Kim, et al., filed Nov. 4, 2004 entitled Portable Telephone.
 U.S. Appl. No. 29/226,417, Applicant: Jin-Soo Kim, et al., filed Mar. 29, 2005 entitled Portable Telephone.
 U.S. Appl. No. 29/226,419, Applicant: Min-Ah Koh, et al., filed Mar. 29, 2005 entitled Portable Telephone.
 U.S. Appl. No. 29/226,420, Applicant: Min-Hyouk Lee, et al., filed Mar. 29, 2005 entitled Portable Telephone.
 U.S. Appl. No. 29/226,442, Applicant: Min-Hyouk Lee, et al., filed Mar. 29, 2005 entitled Portable Telephone.
 U.S. Appl. No. 29/226,443, Applicant: Jin-Soo Kim, et al., filed Mar. 29, 2005 entitled Portable Telephone.
 U.S. Appl. No. 29/226,470, Applicant: Nam-Su Kim, et al., filed Mar. 29, 2005 entitled Portable Telephone.
 U.S. Appl. No. 29/226,474, Applicant: Nam-Su Kim, et al., filed Mar. 29, 2005 entitled Portable Telephone.
 U.S. Appl. No. 29/226,460, Applicant: Nam-Su Kim, et al., filed Mar. 29, 2005 entitled Portable Telephone.
 U.S. Appl. No. 29/226,461, Applicant: Joon-Ki Yun, et al., filed Mar. 29, 2005 entitled Portable Telephone.
 U.S. Appl. No. 29/226,462, Applicant: Yu-Guen Kim, et al., filed Mar. 29, 2005 entitled Portable Telephone.
 U.S. Appl. No. 29/226,463, Applicant: Jin-Soo Kim, et al., filed Mar. 29, 2005 entitled Portable Telephone.
 U.S. Appl. No. 29/226,465, Applicant: Ki-Eon Lee, et al., filed Mar. 29, 2005 entitled Portable Telephone.
 U.S. Appl. No. 29/226,464, Applicant: Joon-Ki Yun, et al., filed Mar. 29, 2005 entitled Portable Telephone.
 U.S. Appl. No. 29/226,454, Applicant: Woo-Seung Han, et al., filed Mar. 29, 2005 entitled Portable Telephone.
 U.S. Appl. No. 29/226,455, Applicant: Woo-Seung Han, et al., filed Mar. 29, 2005 entitled Portable Telephone.
 U.S. Appl. No. 29/226,982, Applicant: Yu-Guen Kim, et al., filed Apr. 5, 2005 entitled Portable Telephone.
 U.S. Appl. No. 29/226,990, Applicant: Yu-Guen Kim, et al., filed Apr. 5, 2005 entitled Portable Telephone.
 U.S. Appl. No. 29/227,339, Applicant: Joon-Suh Kim, et al., filed Apr. 7, 2005 entitled Portable Telephone.
 U.S. Appl. No. 29/227,338, Applicant: Joon-Suh Kim, et al., filed Apr. 7, 2005 entitled Portable Telephone.
 U.S. Appl. No. 29/227,258, Applicant: Min-Ah Koh, et al., filed Apr. 8, 2005 entitled Portable Telephone.
 U.S. Appl. No. 29/219,068, Applicant: Dae-Yoeb Park, et al., filed Dec. 10, 2004 entitled Portable Telephone.
 U.S. Appl. No. 29/224,584, Applicant: Ha-Youl Jung, et al., filed Mar. 3, 2005 entitled Portable Telephone.

* cited by examiner

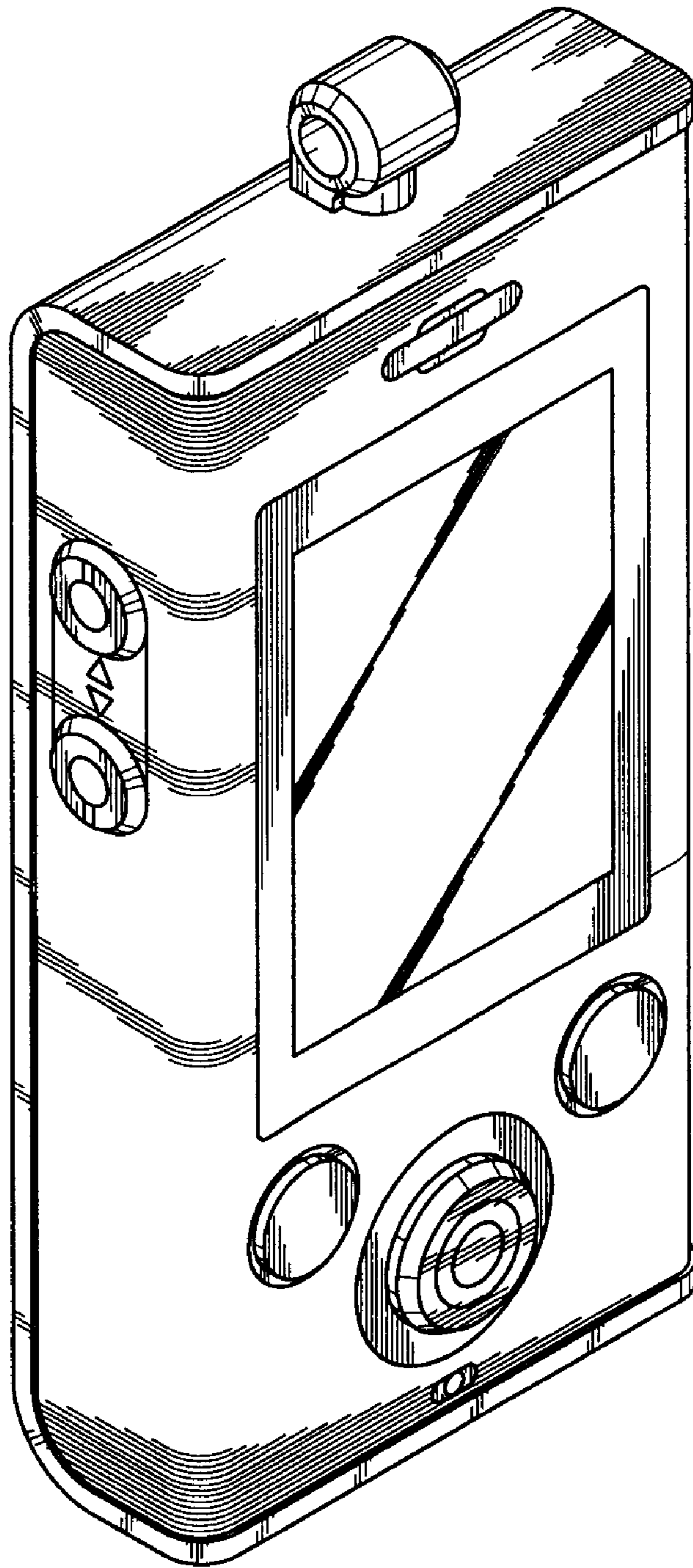


FIG. 1

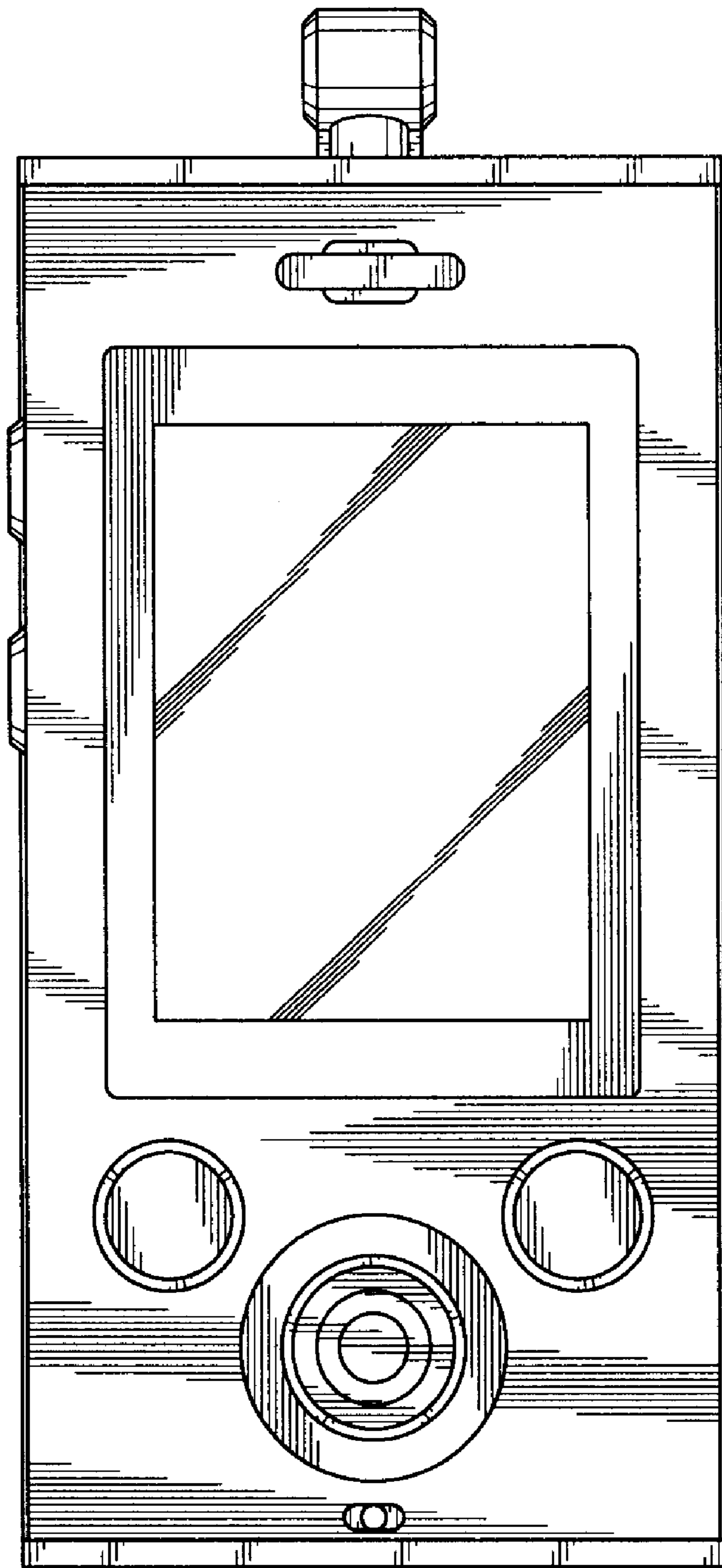


FIG. 2

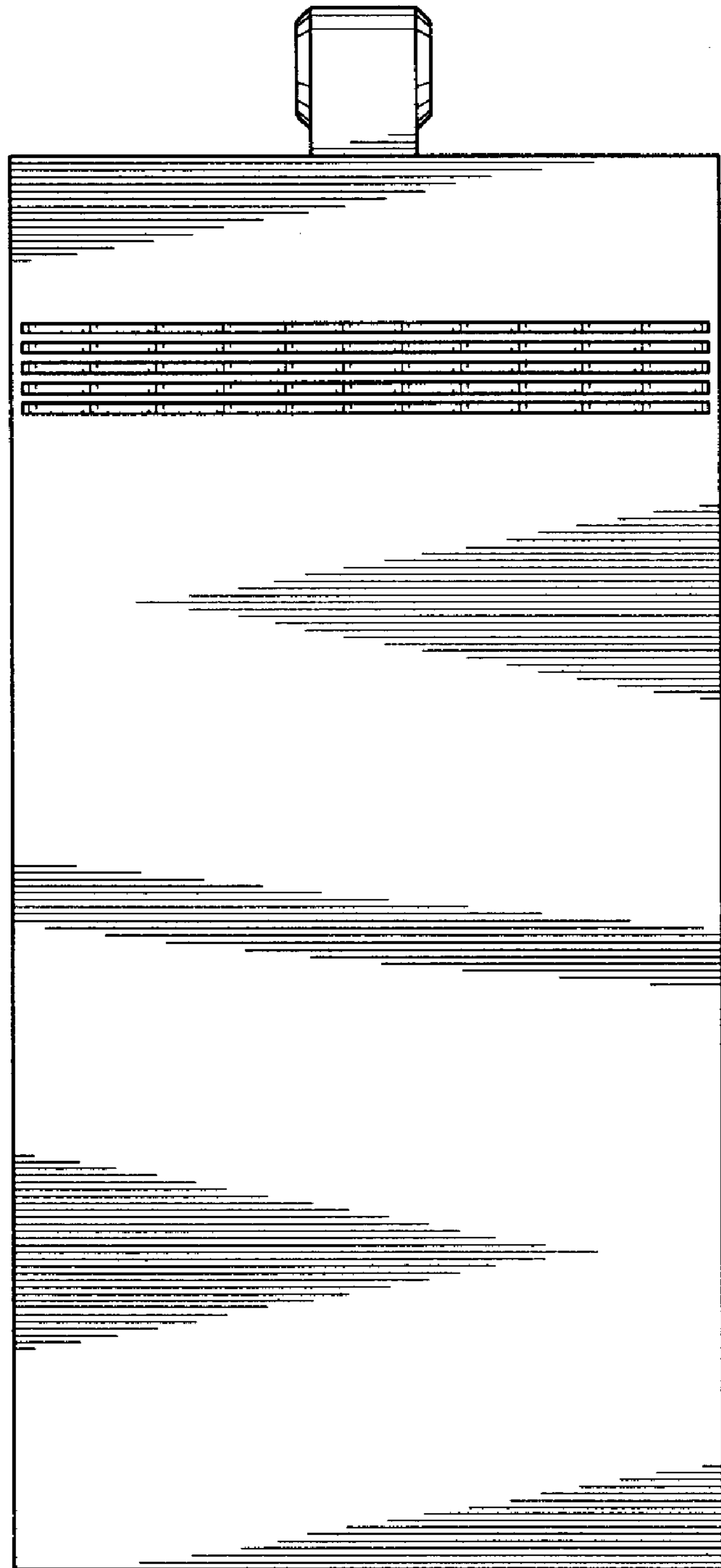


FIG. 3

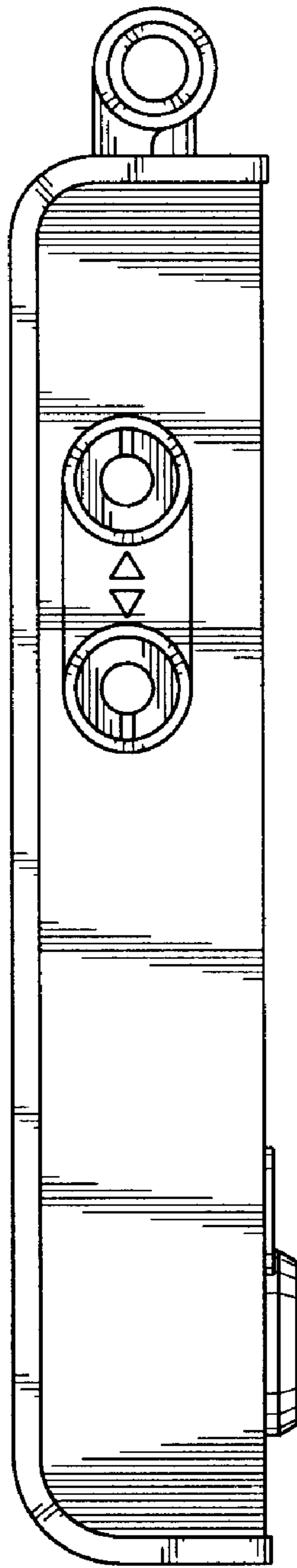


FIG. 4

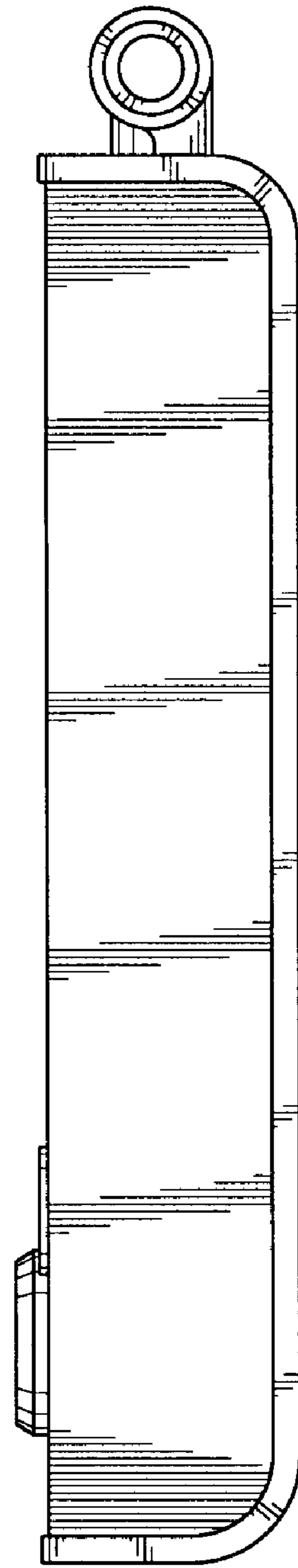


FIG. 5

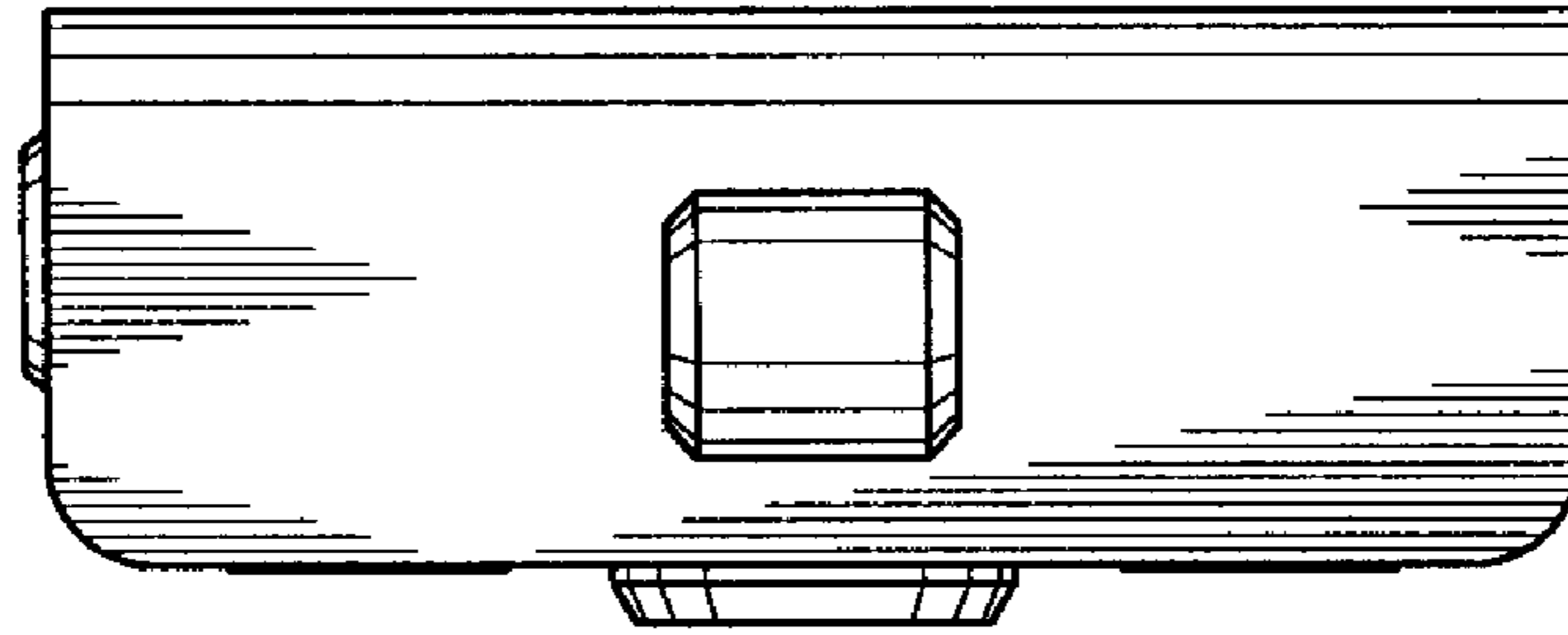


FIG. 6

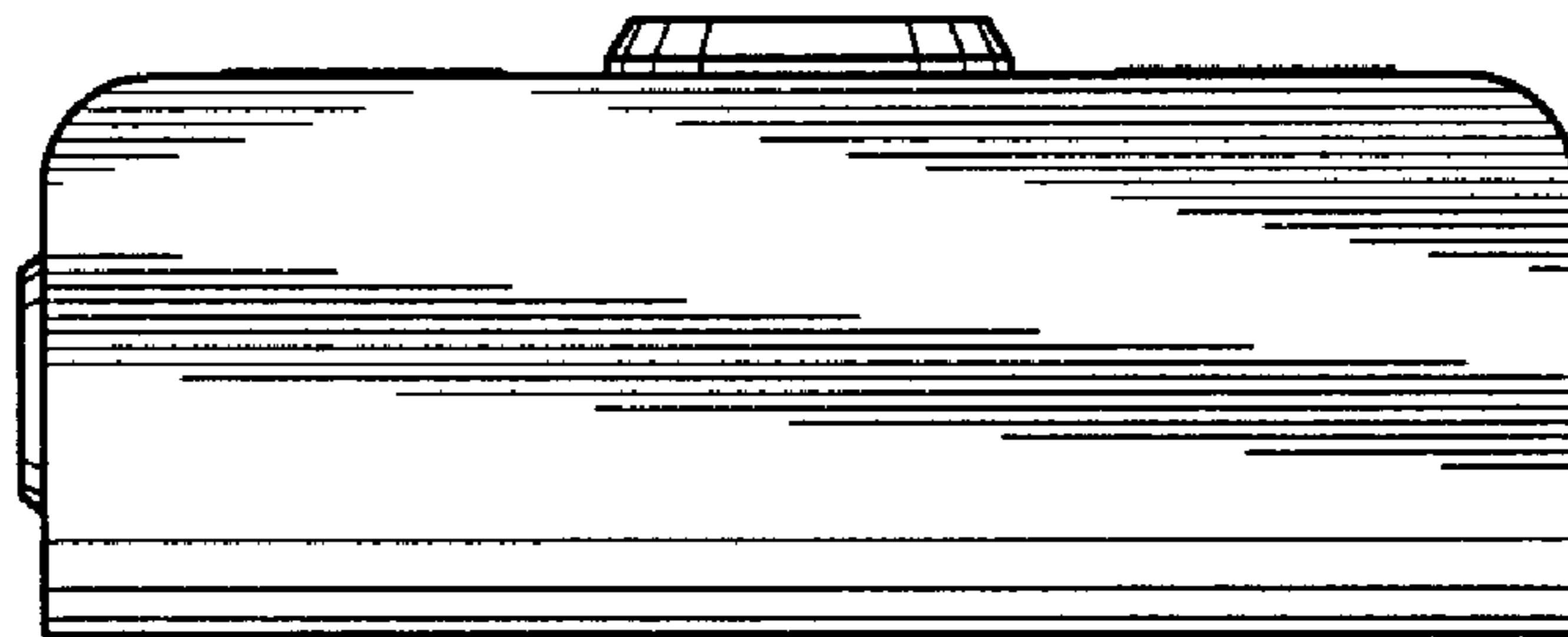


FIG. 7