

US00D528523S

(12) **United States Design Patent**
Chiu

(10) **Patent No.:** **US D528,523 S**

(45) **Date of Patent:** **** Sep. 19, 2006**

(54) **TELEVISION SET**

(75) **Inventor:** **Yi-Chung Chiu**, Taoyuan (TW)

(73) **Assignee:** **Hannspre, Inc.**, Taipei (TW)

(**) **Term:** **14 Years**

(21) **Appl. No.:** **29/241,141**

(22) **Filed:** **Oct. 25, 2005**

(51) **LOC (8) Cl.** **14-03**

(52) **U.S. Cl.** **D14/126**

(58) **Field of Classification Search** D14/125-134,
D14/239, 371, 136, 374-377; 312/7.2; 348/836,
348/838, 180, 184, 325, 739; 341/12; 248/917-924,
248/465; 345/104, 133, 156, 168, 87, 173;
720/605, 669, 600, 655; 369/99, 197; 455/344-347
See application file for complete search history.

(56) **References Cited**

U.S. PATENT DOCUMENTS

D476,633 S * 7/2003 Oe et al. D14/133

D479,237 S * 9/2003 Juan D14/375

D483,360 S * 12/2003 Ma D14/371

D502,152 S * 2/2005 Peng D14/126

D505,123 S * 5/2005 Kita D14/126

D518,799 S * 4/2006 Peng D14/126

* cited by examiner

Primary Examiner—Raphael Barkai

(74) *Attorney, Agent, or Firm*—Bacon & Thomas

(57) **CLAIM**

The ornamental design for a television set, as shown.

DESCRIPTION

FIG. 1 is a perspective view of a television set showing my new design;

FIG. 2 is a front elevational view thereof;

FIG. 3 is a rear elevational view thereof;

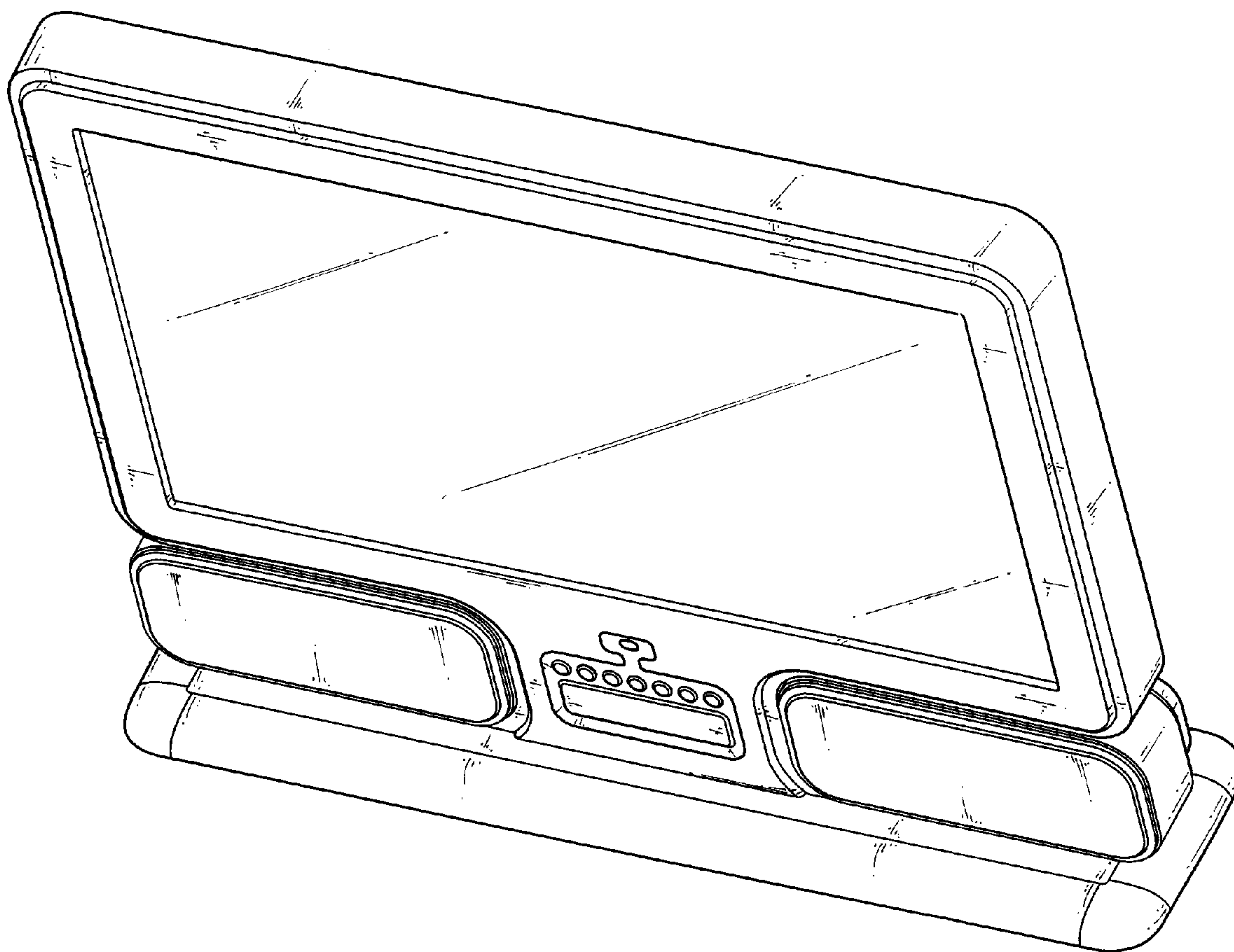
FIG. 4 is a left side elevational view thereof;

FIG. 5 is a right side elevational view thereof;

FIG. 6 is a top plan view thereof; and,

FIG. 7 is a bottom plan view thereof.

1 Claim, 5 Drawing Sheets



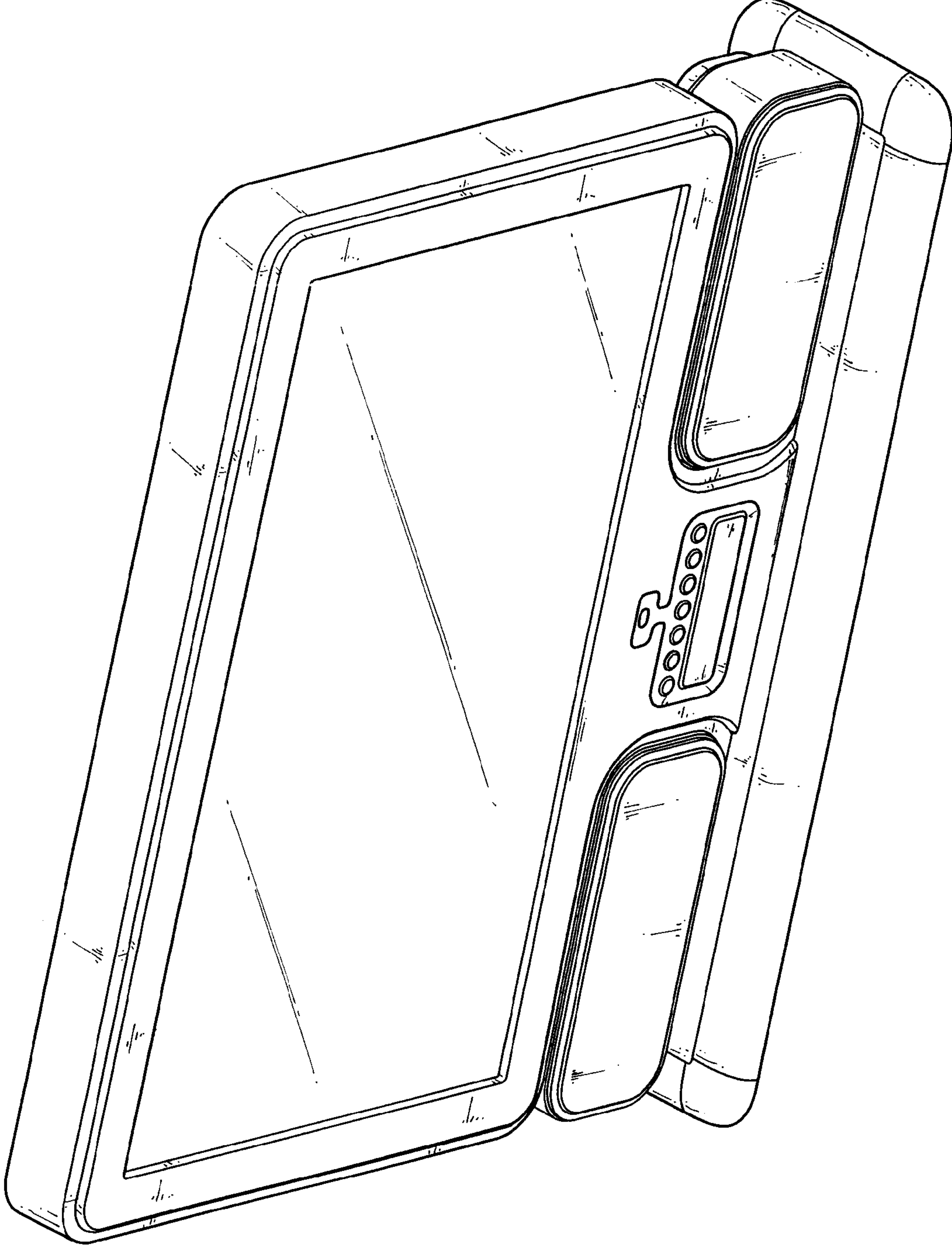


FIG. 1

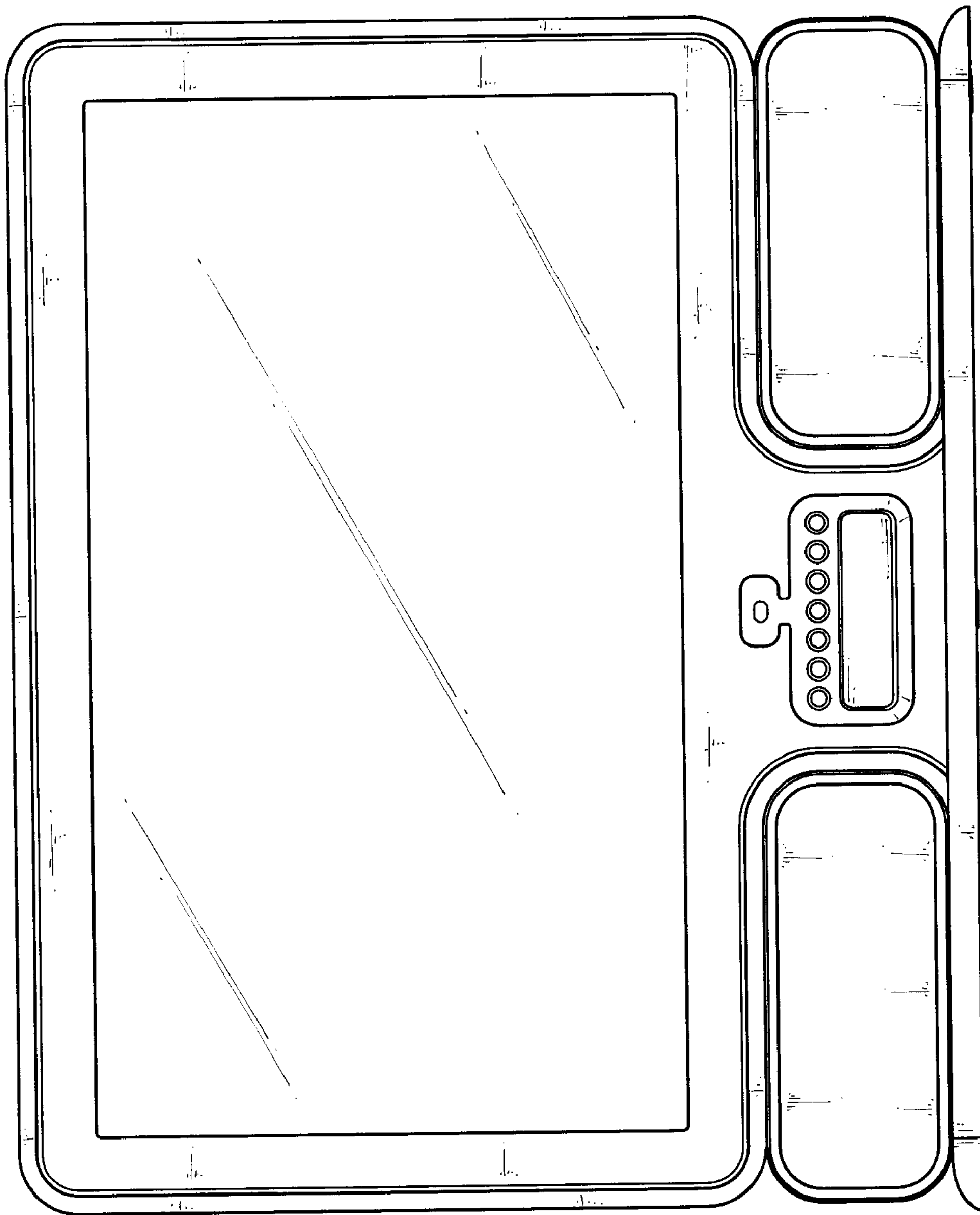


FIG. 2

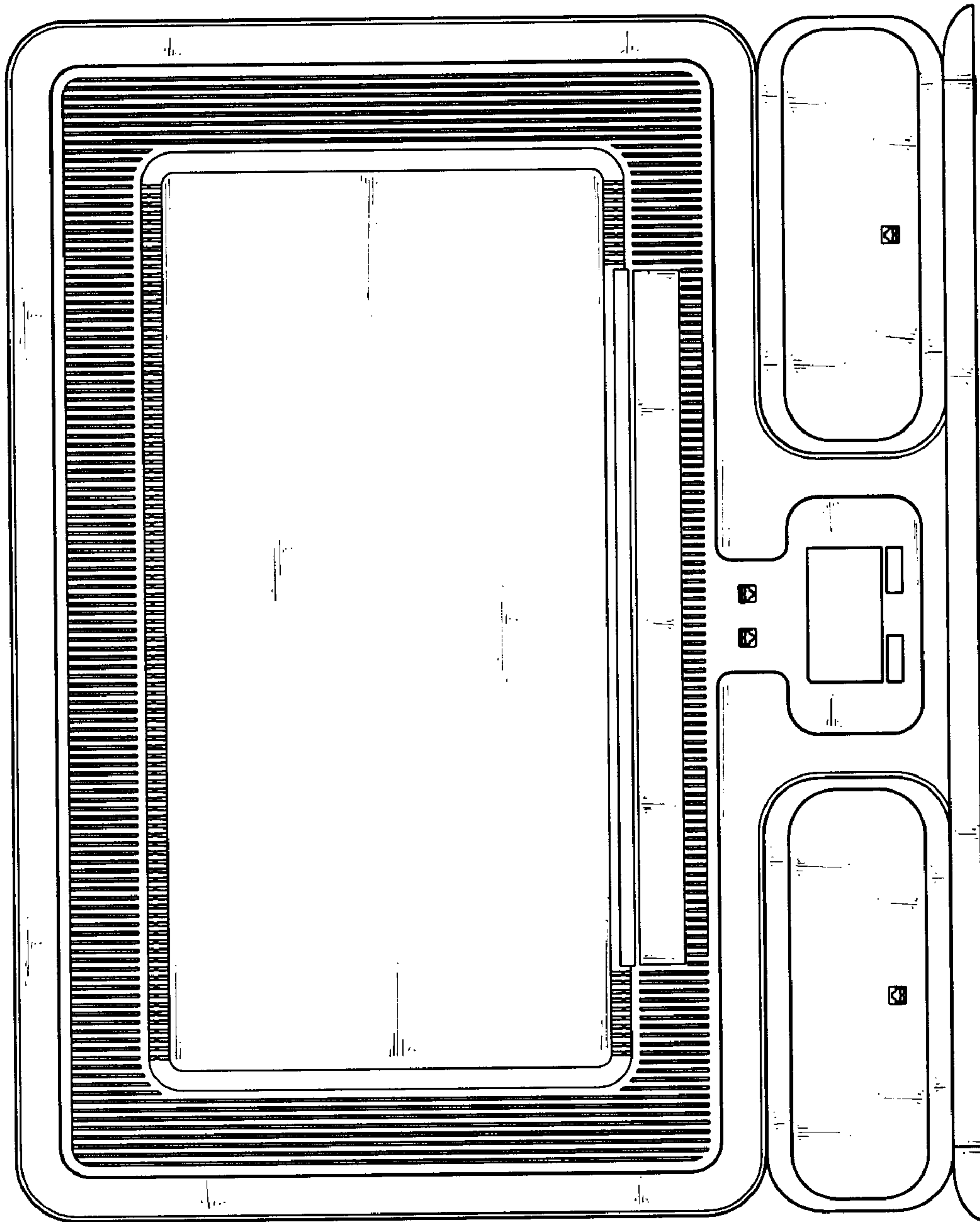


FIG. 3

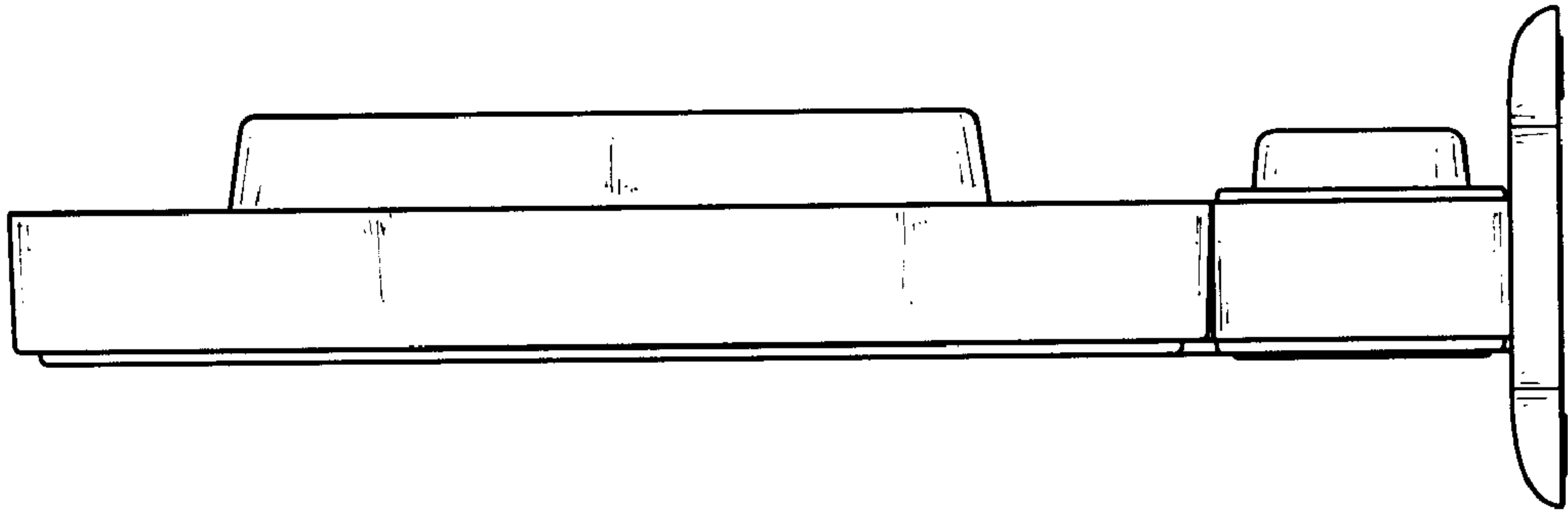


FIG. 5

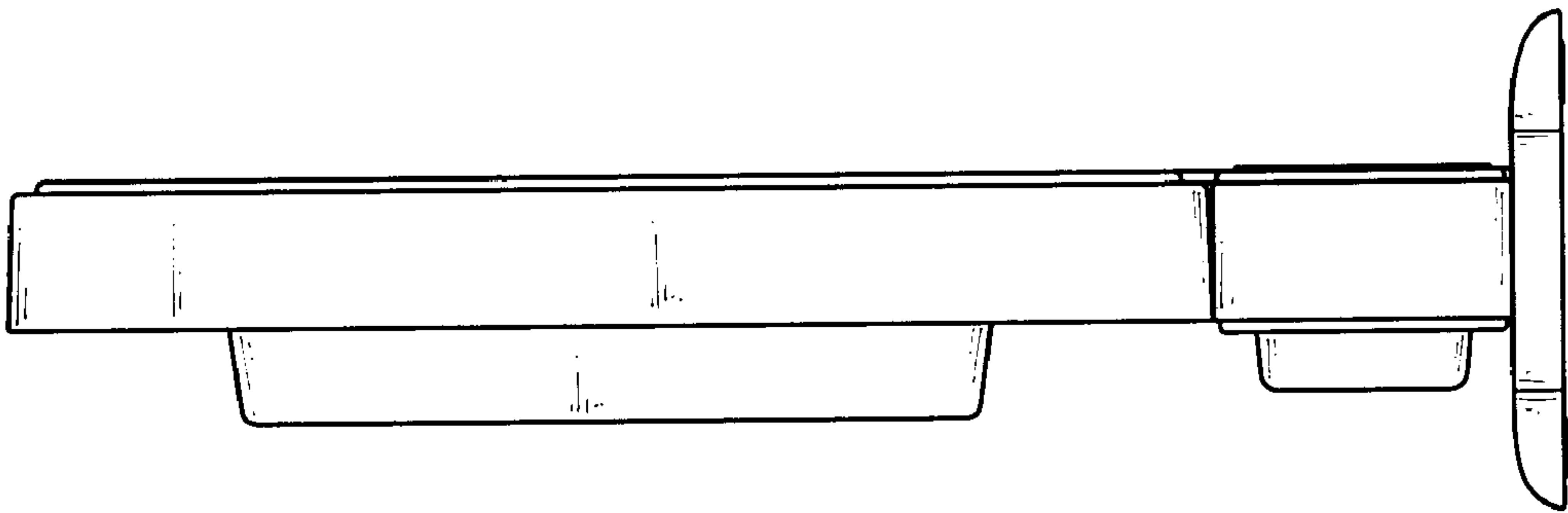


FIG. 4

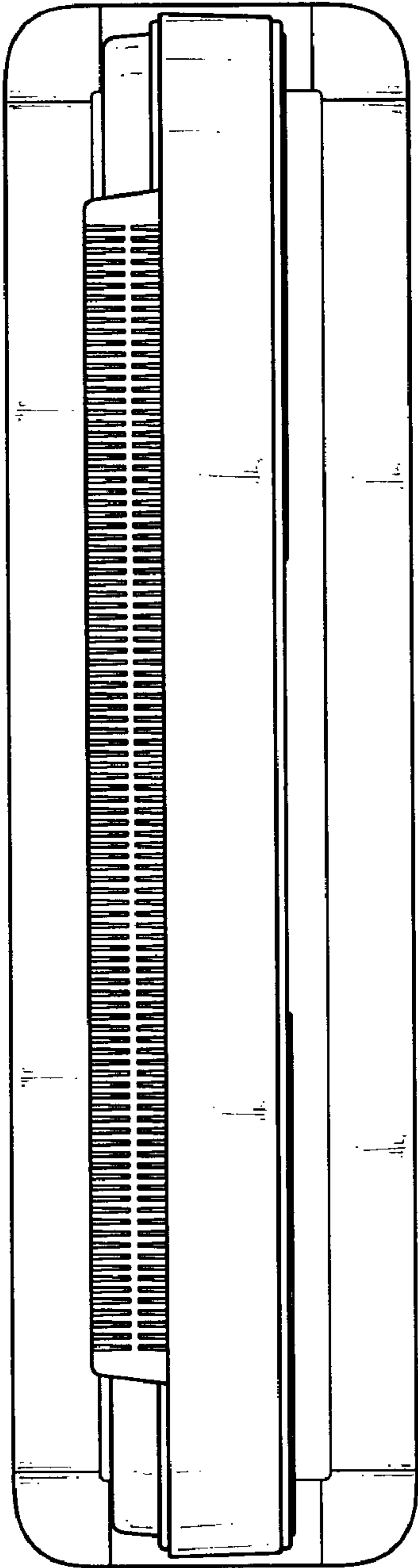


FIG. 6

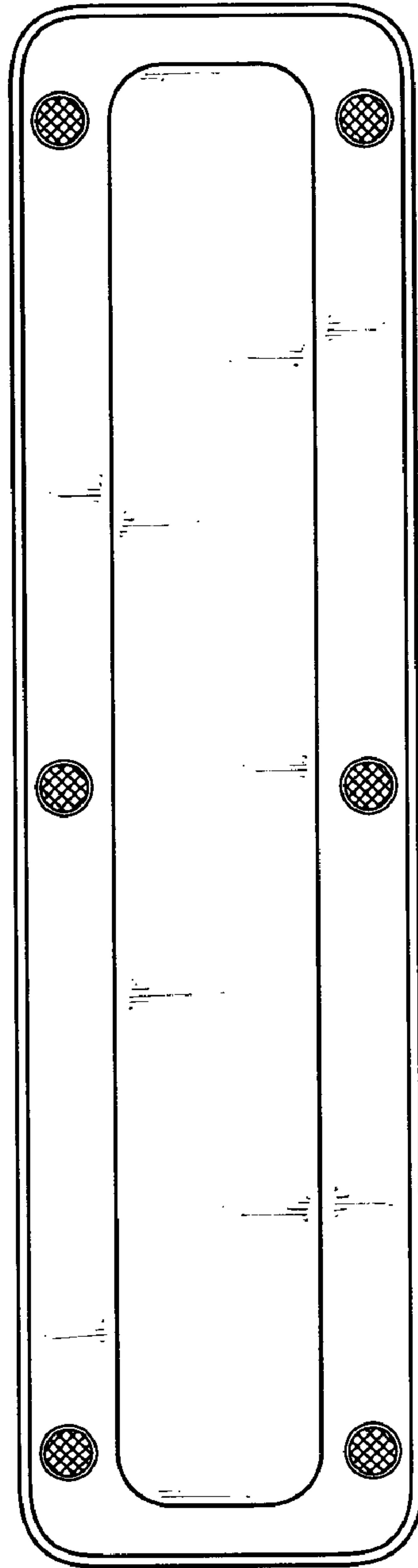


FIG. 7