



US00D528521S

(12) **United States Design Patent**  
**Hoehn et al.**

(10) **Patent No.:** **US D528,521 S**  
(45) **Date of Patent:** **\*\* Sep. 19, 2006**

(54) **TELEVISION SET**

D495,707 S \* 9/2004 Hoehn ..... D14/374  
D495,710 S \* 9/2004 Hoehn ..... D14/375

(75) Inventors: **Holger Hoehn**, Taipei (TW); **Reinier Bloem**, Taipei (TW)

\* cited by examiner

(73) Assignee: **Hannspree, Inc.**, Taipei (TW)

*Primary Examiner*—Raphael Barkai  
(74) *Attorney, Agent, or Firm*—Bacon & Thomas

(\*\*) Term: **14 Years**

(21) Appl. No.: **29/237,913**

(57) **CLAIM**

(22) Filed: **Sep. 9, 2005**

The ornamental design for a television set, as shown.

(30) **Foreign Application Priority Data**

**DESCRIPTION**

Apr. 7, 2005 (TW) ..... 94301931

(51) **LOC (8) Cl.** ..... **14-03**

(52) **U.S. Cl.** ..... **D14/126**

(58) **Field of Classification Search** ..... D14/125-134,  
D14/239, 371, 136, 374-377; 312/7.2; 348/836,  
348/838, 180, 184, 325, 739; 341/12; 248/917-924,  
248/465; 345/104, 133, 156, 168, 87, 173;  
720/605, 669, 600, 655; 369/99, 197; 455/344-347  
See application file for complete search history.

FIG. 1 is a perspective view of a television set showing my new design;

FIG. 2 is a front elevational view thereof;

FIG. 3 is a rear elevational view thereof;

FIG. 4 is a left side elevational view thereof;

FIG. 5 is a right side elevational view thereof;

FIG. 6 is a top plan view thereof; and,

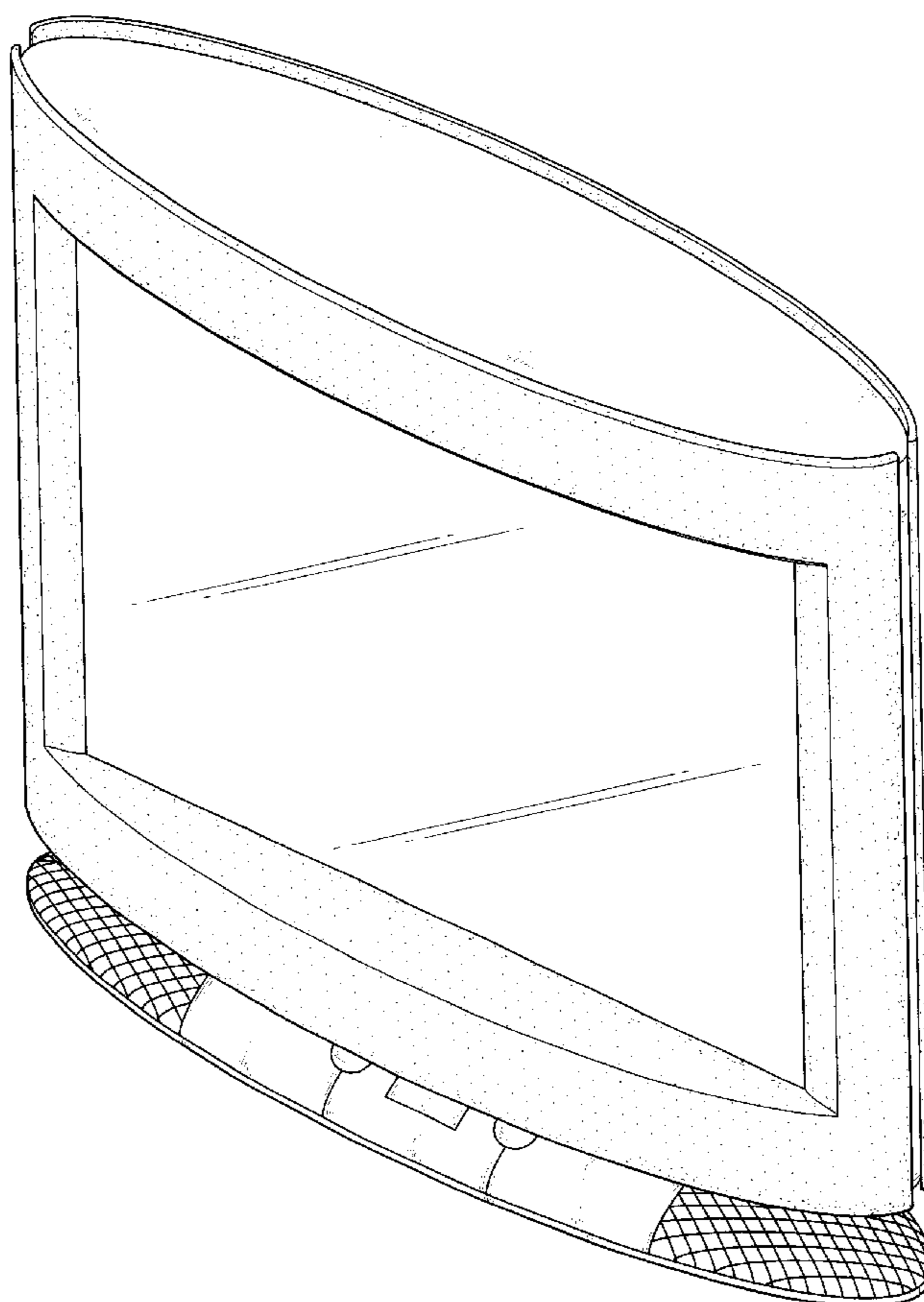
FIG. 7 is a bottom plan view thereof.

(56) **References Cited**

**U.S. PATENT DOCUMENTS**

D444,074 S \* 6/2001 Duke ..... D10/15

**1 Claim, 5 Drawing Sheets**



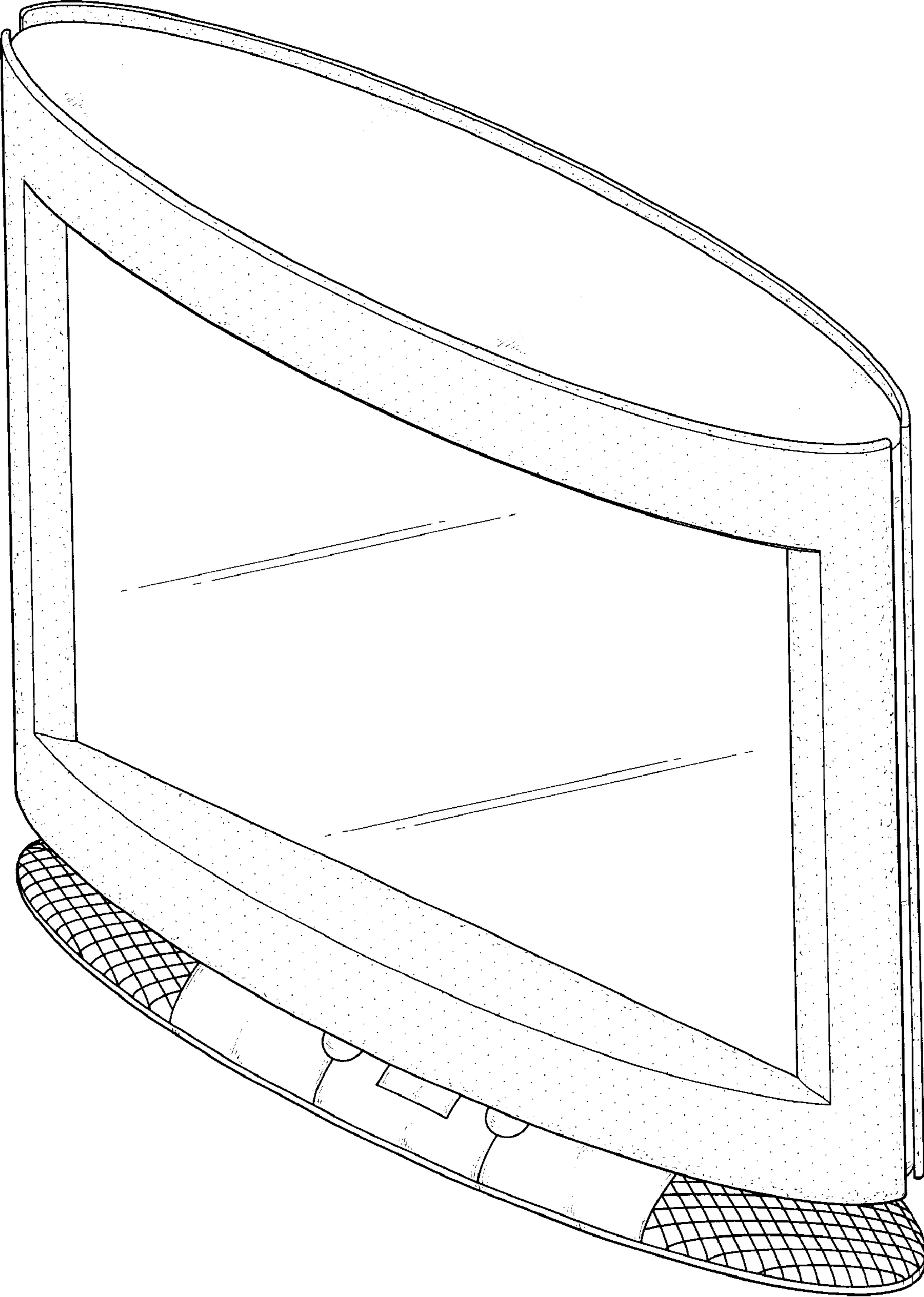


FIG. 1

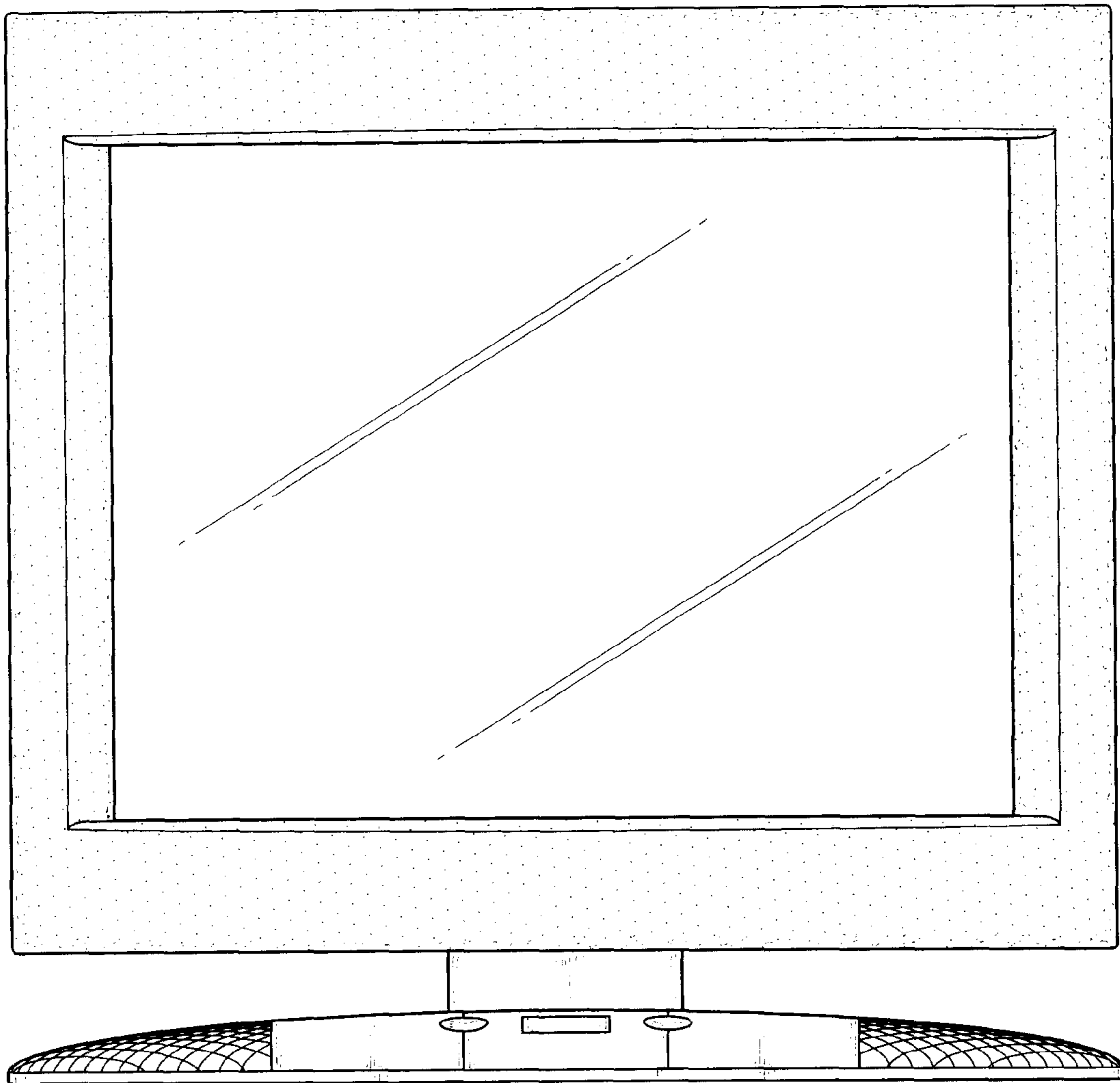


FIG. 2

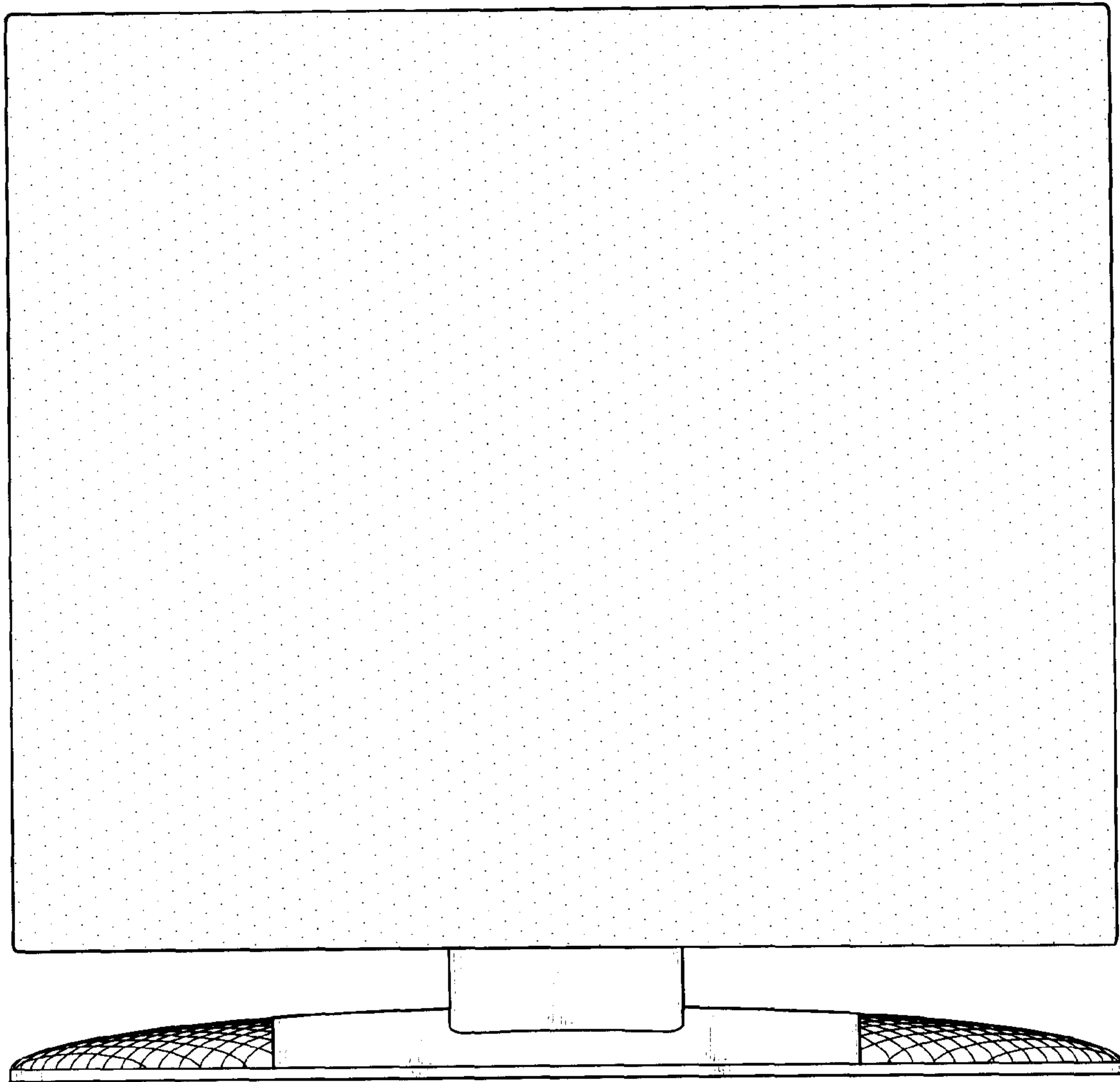


FIG. 3

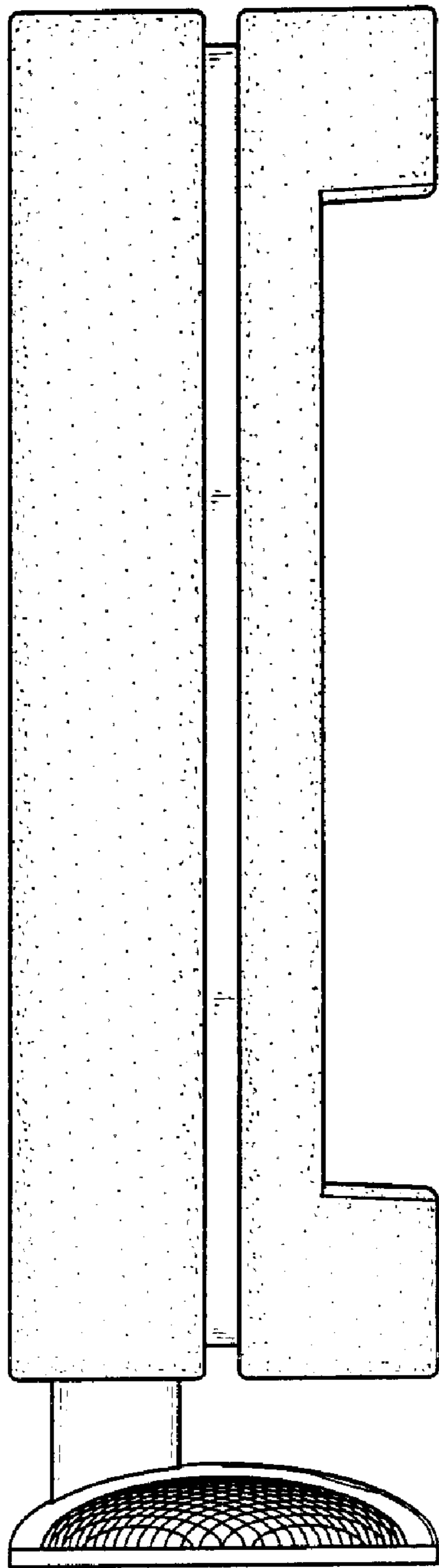


FIG. 4

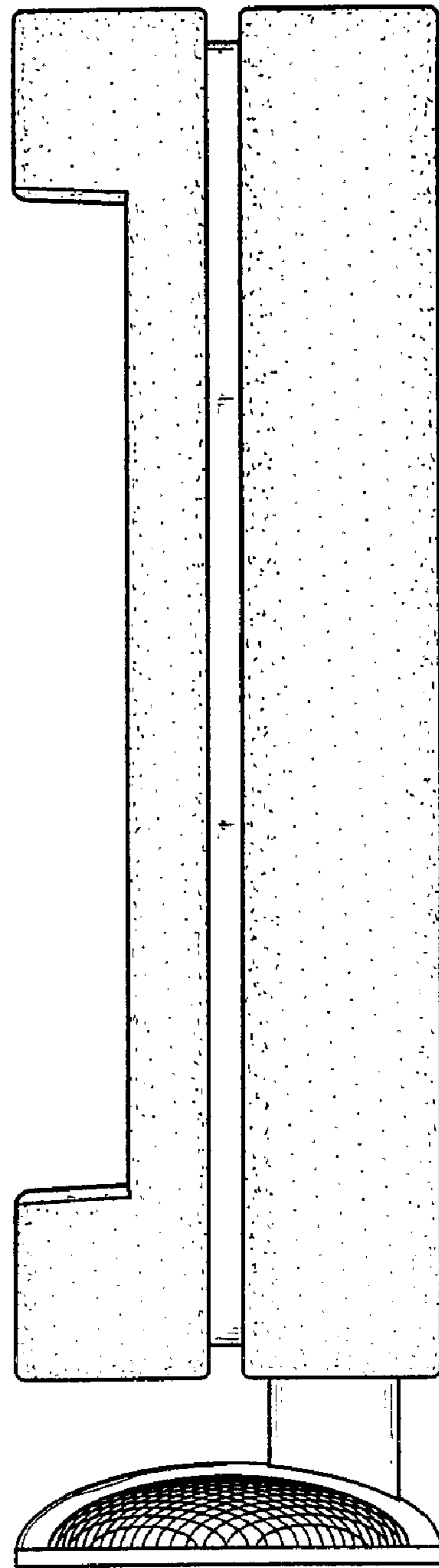


FIG. 5

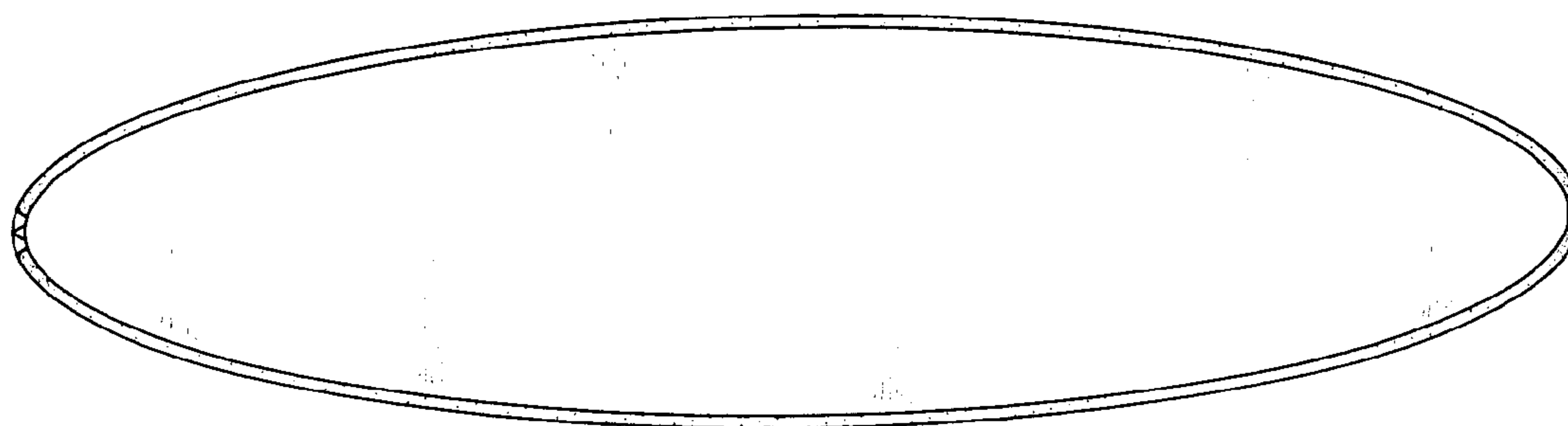


FIG. 6

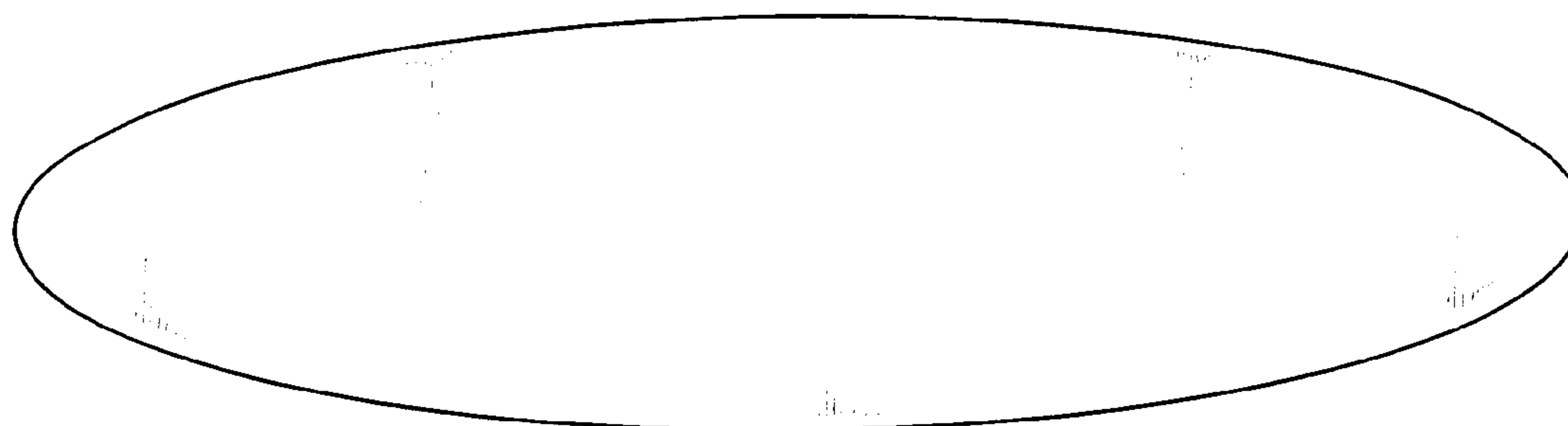


FIG. 7