



US00D528516S

(12) **United States Design Patent**
Chou

(10) **Patent No.:** **US D528,516 S**

(45) **Date of Patent:** **** Sep. 19, 2006**

(54) **SET-TOP BOX**

D391,950 S * 3/1998 Takami et al. D14/125
D426,212 S * 6/2000 Storti et al. D14/432
D469,066 S * 1/2003 Takahashi D14/125

(75) Inventor: **Wei-Ming Chou**, Chung Ho (TW)

(73) Assignee: **AverMedia Technologies, Inc.**, Taipei
Hsien (TW)

(**) Term: **14 Years**

* cited by examiner

Primary Examiner—Raphael Barkai
(74) *Attorney, Agent, or Firm*—Baker & Hostetler LLP

(21) Appl. No.: **29/192,919**

(57) **CLAIM**

(22) Filed: **Nov. 3, 2003**

The ornamental design for set-top box, as shown and described herein.

(30) **Foreign Application Priority Data**

Sep. 2, 2003 (TW) 92305378

DESCRIPTION

(51) **LOC (8) Cl.** **14-03**

FIG. 1 is a top plan view of set-top box showing our new design;

(52) **U.S. Cl.** **D14/125**

(58) **Field of Classification Search** D14/299,
D14/356, 361-363, 365, 466, 125, 126, 432,
D14/135-136, 239; 348/460, 10; 361/690-696;
312/208.1, 223.2; 455/3.1-3.2, 6.1-6.3, 3.04
See application file for complete search history.

FIG. 2 is a bottom view thereof;

FIG. 3 is a left side view thereof;

FIG. 4 is a right side view thereof;

FIG. 5 is a front plan view thereof (the rear view being identical); and,

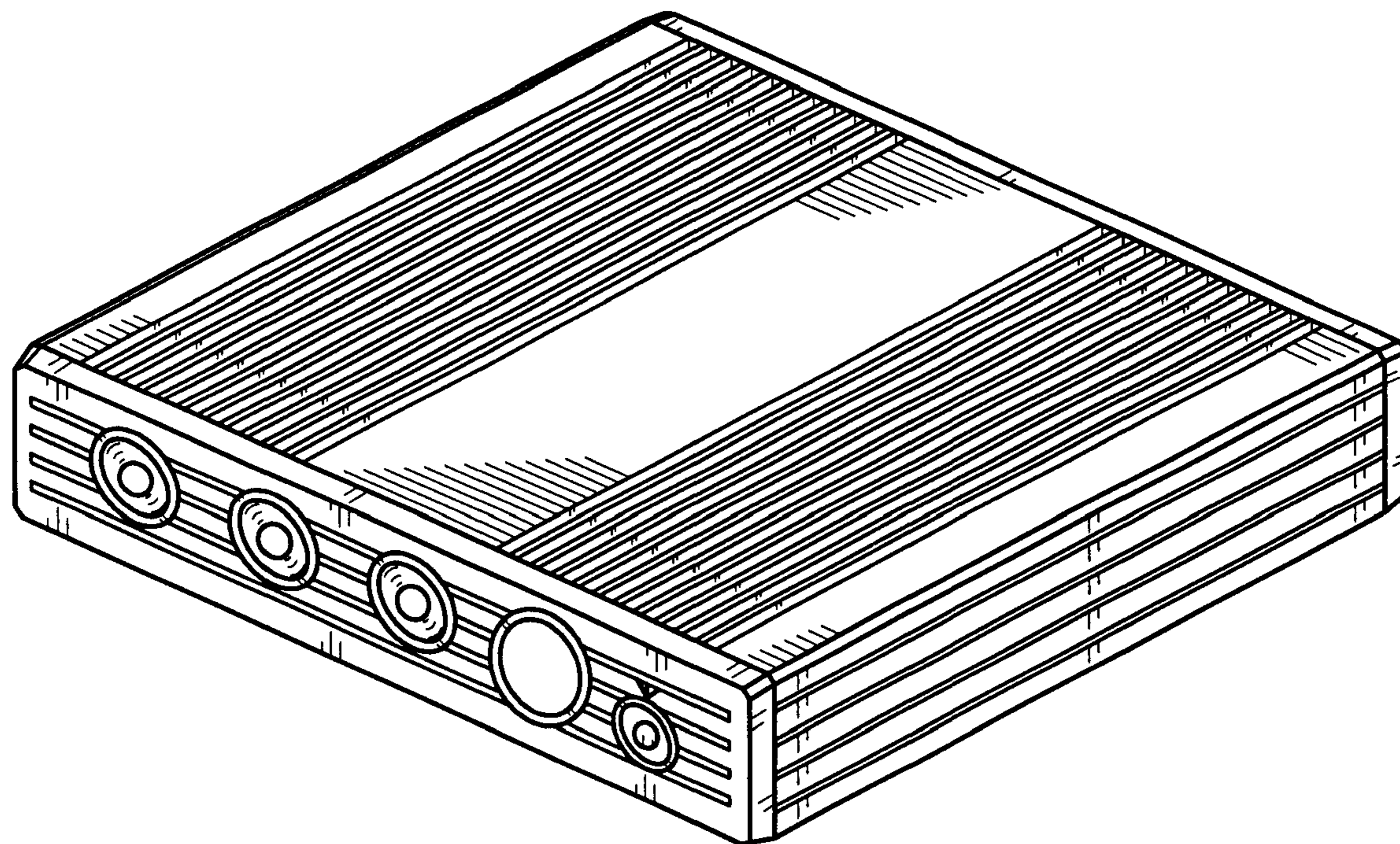
FIG. 6 is an perspective view thereof.

(56) **References Cited**

U.S. PATENT DOCUMENTS

D368,905 S * 4/1996 Otani D14/239

1 Claim, 3 Drawing Sheets



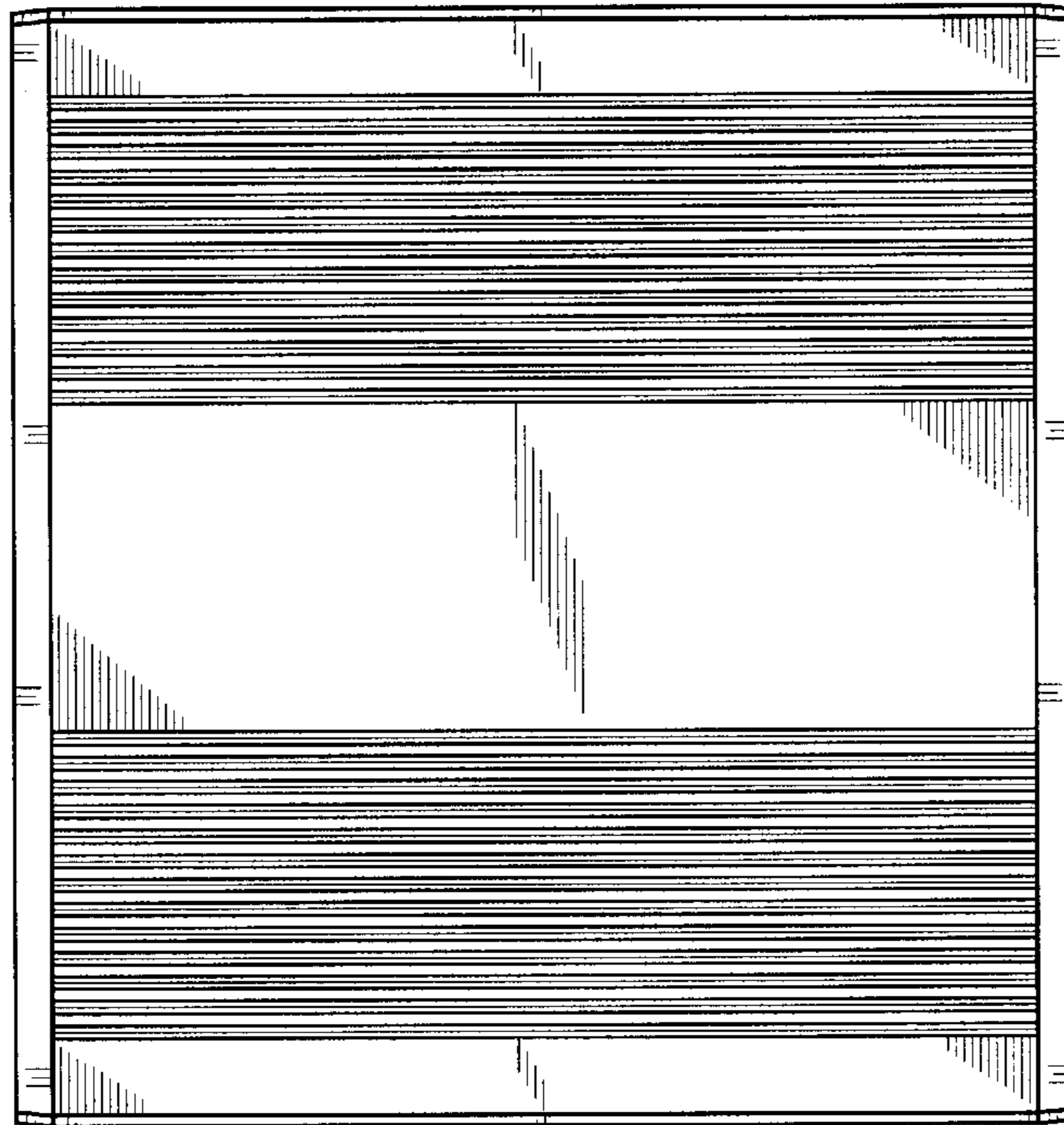


Fig. 1

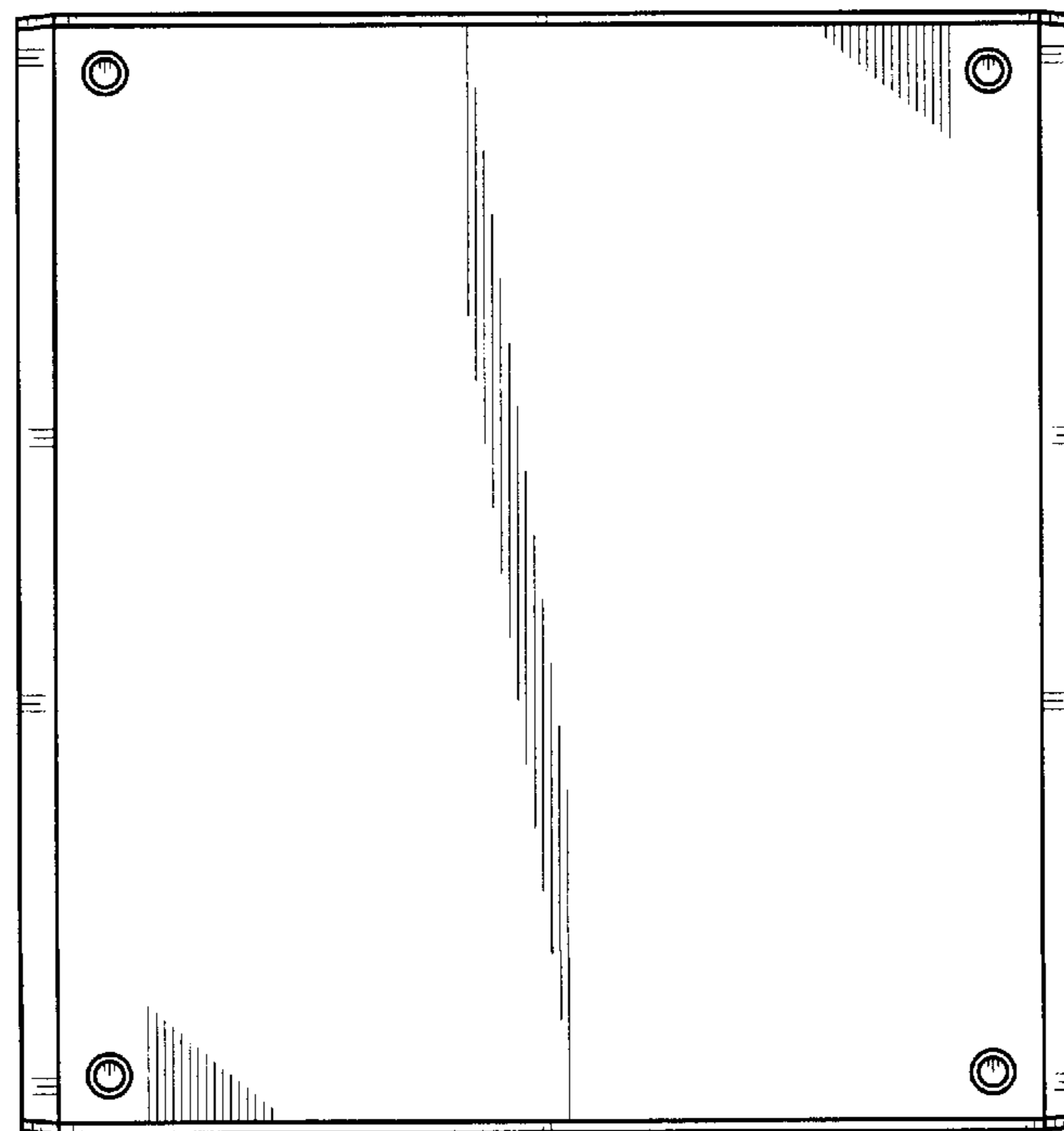


Fig. 2

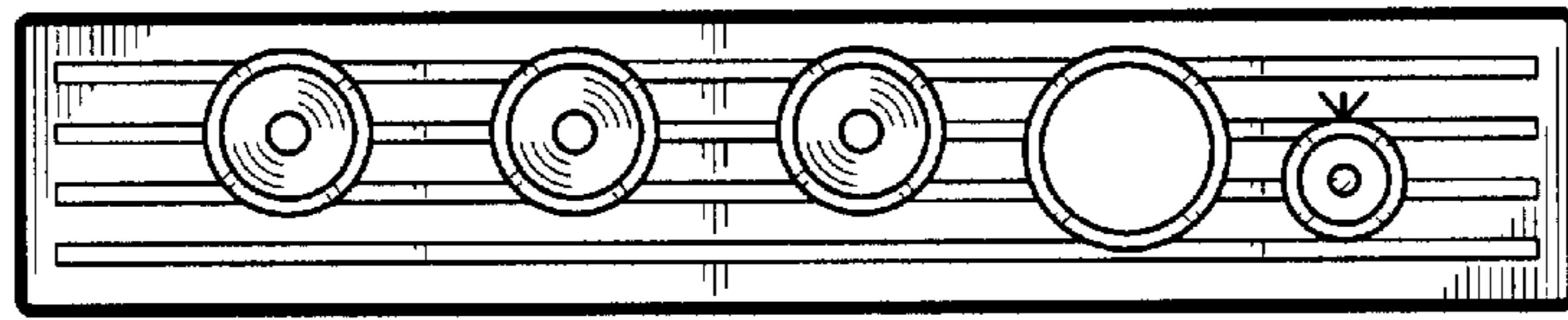


Fig. 3

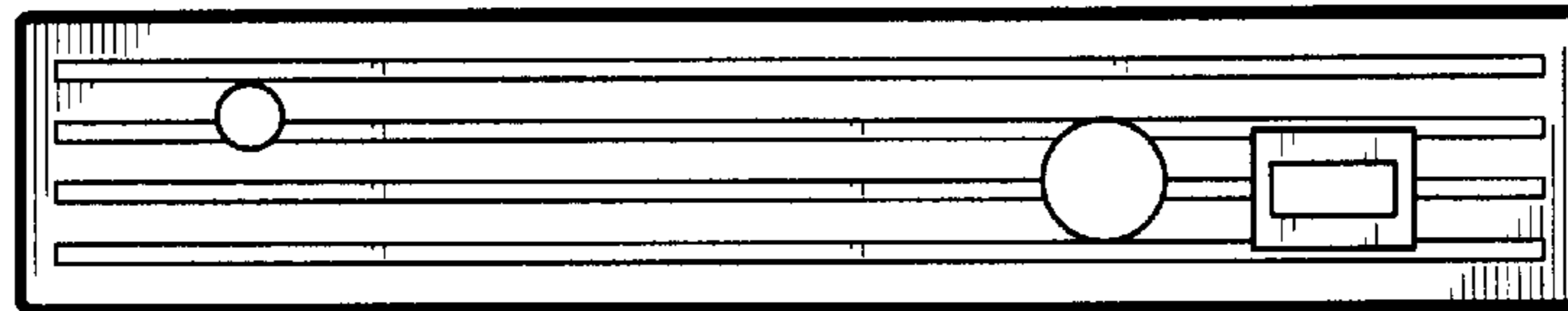


Fig. 4

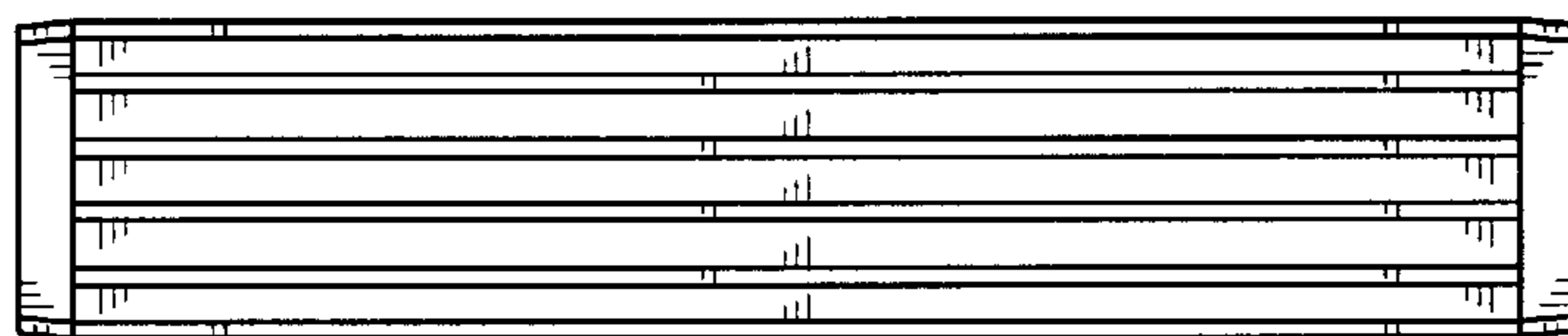


Fig. 5

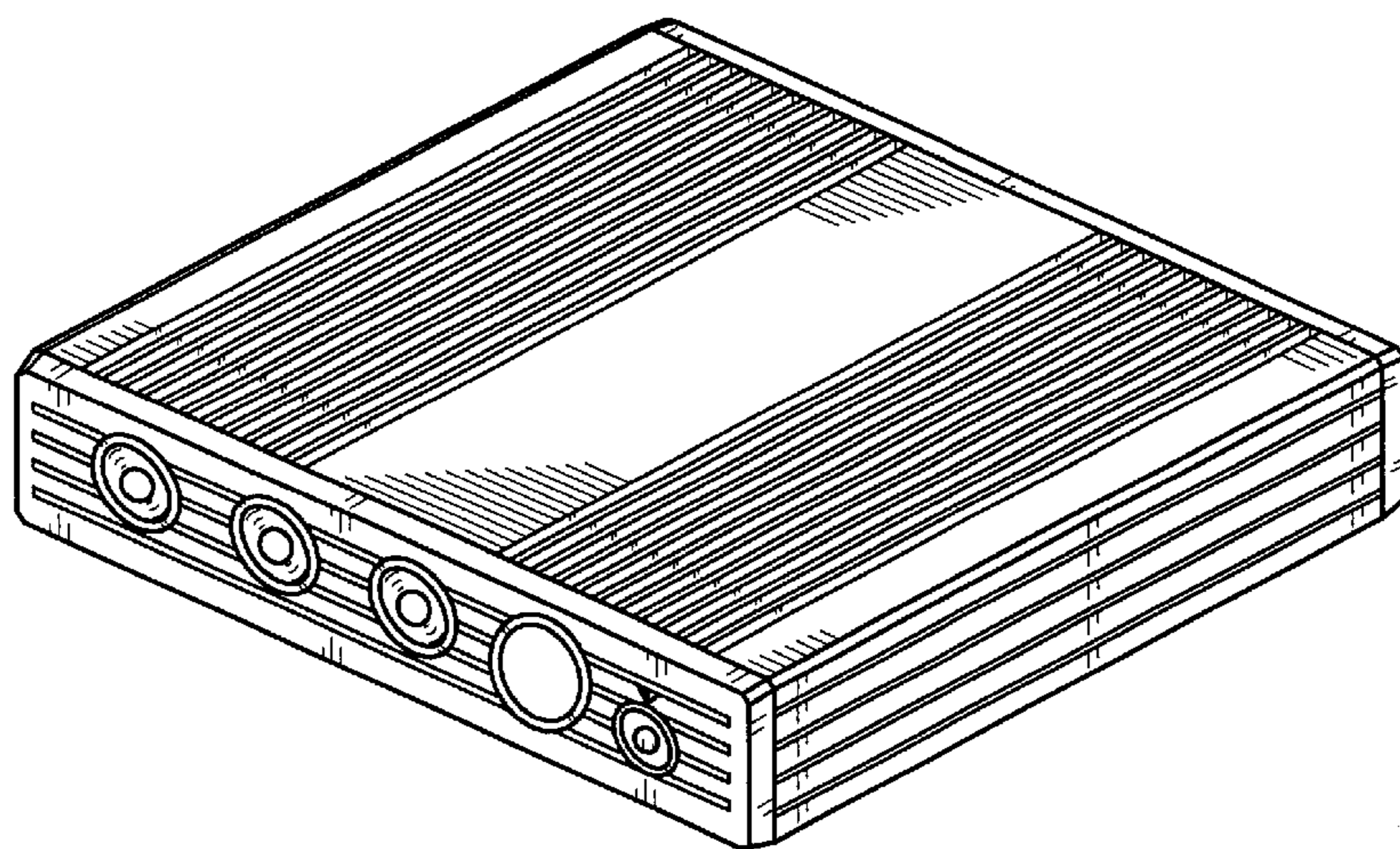


Fig. 6