



US00D528515S

(12) **United States Design Patent**  
**Sumitani**

(10) **Patent No.:** **US D528,515 S**

(45) **Date of Patent:** **\*\* Sep. 19, 2006**

(54) **LIGHT EMITTING DIODE**

(56) **References Cited**

(75) Inventor: **Naofumi Sumitani**, Itano-gun (JP)

U.S. PATENT DOCUMENTS

(73) Assignee: **Nichia Corporation**, Anan (JP)

D432,095 S 10/2000 Seeger et al.

(\*\*) Term: **14 Years**

D437,798 S 2/2001 Kiba et al.

(21) Appl. No.: **29/244,841**

D439,351 S 3/2001 Kiba et al.

(22) Filed: **Dec. 15, 2005**

6,355,946 B1 3/2002 Ishinaga

**Related U.S. Application Data**

6,483,623 B1 11/2002 Maruyama

(62) Division of application No. 29/266,509, filed on Mar. 30, 2005, which is a division of application No. 29/200,831, filed on Mar. 5, 2004, now Pat. No. Des. 510,913.

D471,166 S 3/2003 Oshio et al.

(30) **Foreign Application Priority Data**

6,624,491 B1 9/2003 Waitl et al.

Sep. 9, 2003	(JP)	.....	2003-026194
Sep. 9, 2003	(JP)	.....	2003-026195
Sep. 9, 2003	(JP)	.....	2003-026227
Sep. 9, 2003	(JP)	.....	2003-026228
Sep. 9, 2003	(JP)	.....	2003-026229
Sep. 9, 2003	(JP)	.....	2003-026230
Sep. 9, 2003	(JP)	.....	2003-026231
Sep. 9, 2003	(JP)	.....	2003-026232
Sep. 9, 2003	(JP)	.....	2003-026233
Sep. 9, 2003	(JP)	.....	2003-026234
Sep. 9, 2003	(JP)	.....	2003-026235
Sep. 9, 2003	(JP)	.....	2003-026236
Sep. 9, 2003	(JP)	.....	2003-026237
Sep. 9, 2003	(JP)	.....	2003-026238
Sep. 9, 2003	(JP)	.....	2003-026239
Sep. 9, 2003	(JP)	.....	2003-026240
Sep. 9, 2003	(JP)	.....	2003-026241
Sep. 9, 2003	(JP)	.....	2003-026242
Sep. 9, 2003	(JP)	.....	2003-026243

D482,337 S 11/2003 Kamada

6,717,256 B1 4/2004 Suzuki et al.

D490,387 S 5/2004 Yagi

D491,899 S 6/2004 Yagi

D494,550 S 8/2004 Hoshiba

D495,304 S 8/2004 Kim et al.

D510,913 S \* 10/2005 Sumitani ..... D13/180

2005/0127816 A1 \* 6/2005 Sumitani ..... 313/498

\* cited by examiner

*Primary Examiner*—Selina Sikder

(74) *Attorney, Agent, or Firm*—Smith Patent Office

(57) **CLAIM**

I claim the ornamental design for a light emitting diode, as shown and described.

**DESCRIPTION**

FIG. 1 is a front perspective view of a light emitting diode showing my new design;

FIG. 2 is a rear perspective view thereof;

FIG. 3 is a top plan view thereof;

FIG. 4 is a left side elevation view thereof;

FIG. 5 is a front elevation view thereof;

FIG. 6 is a right side elevation view thereof;

FIG. 7 is a bottom plan view thereof; and,

FIG. 8 is a rear elevation view thereof.

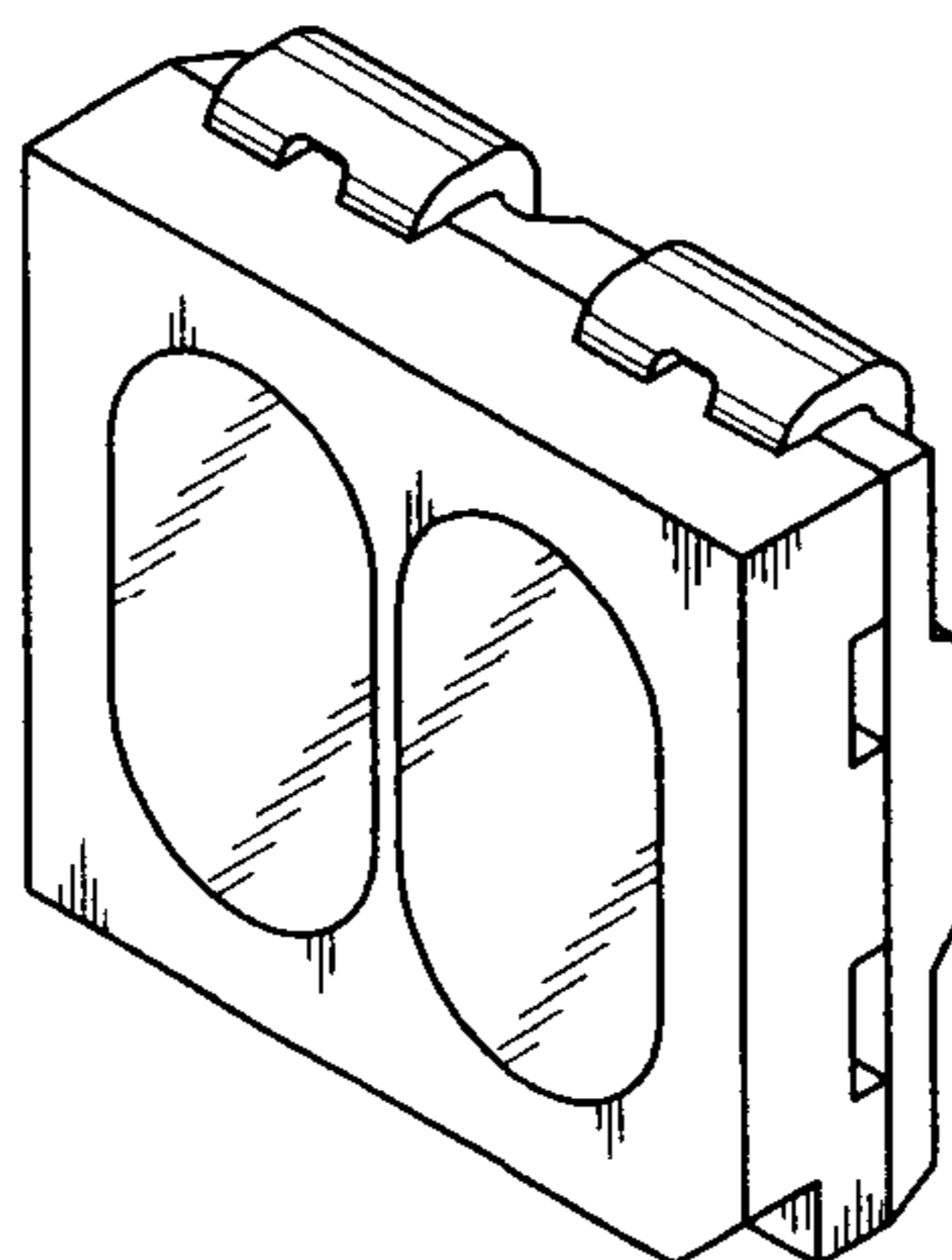
(51) **LOC (8) Cl.** ..... **13-03**

(52) **U.S. Cl.** ..... **D13/180**

(58) **Field of Classification Search** ..... D13/180;  
D26/2; 257/79, 80, 81, 82, 88, 89, 95, 98,  
257/99, 100, 678, 680, 433, 434; 313/483,  
313/498, 500; 361/820; 362/235, 555, 800;  
372/45.01

See application file for complete search history.

**1 Claim, 2 Drawing Sheets**



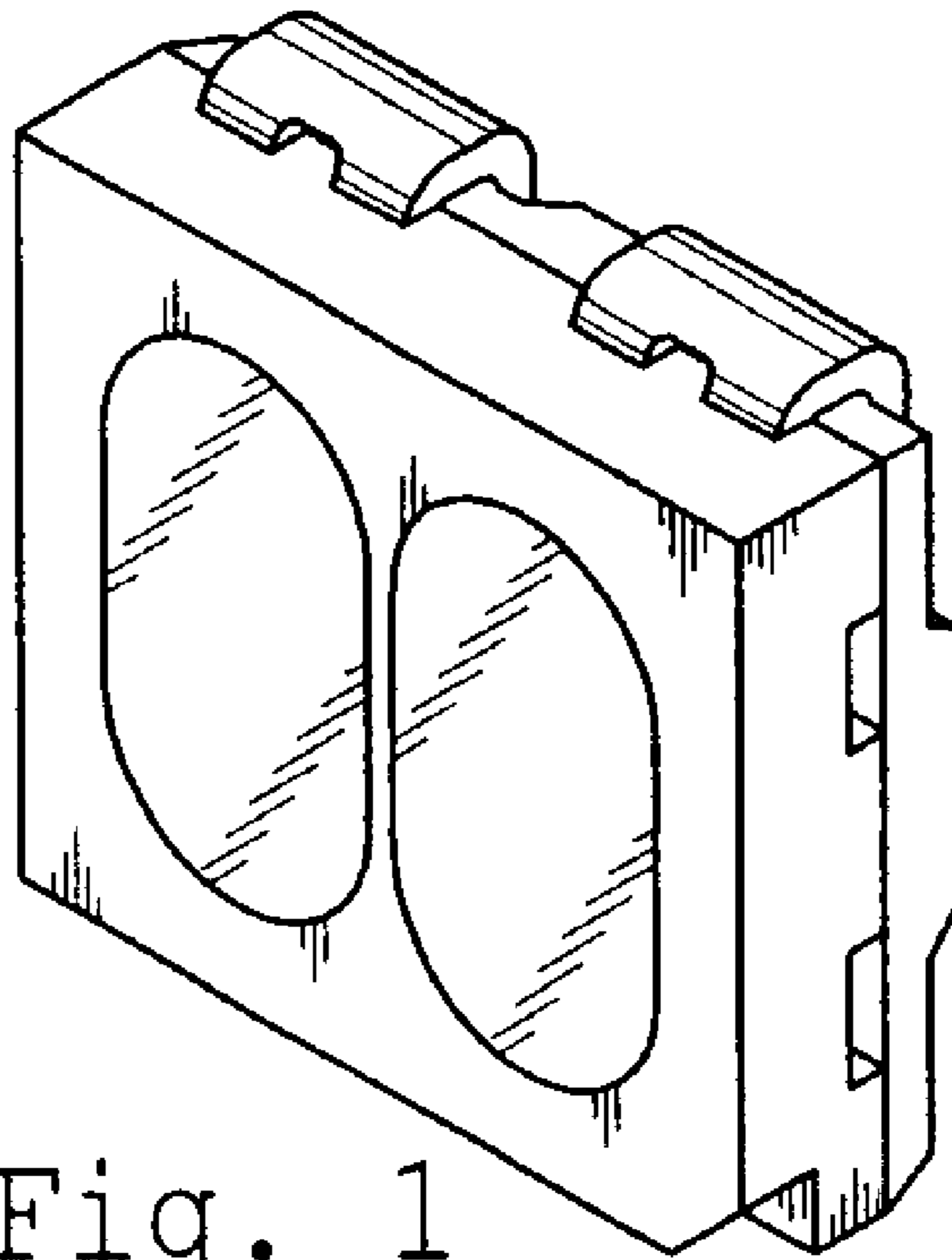


Fig. 1

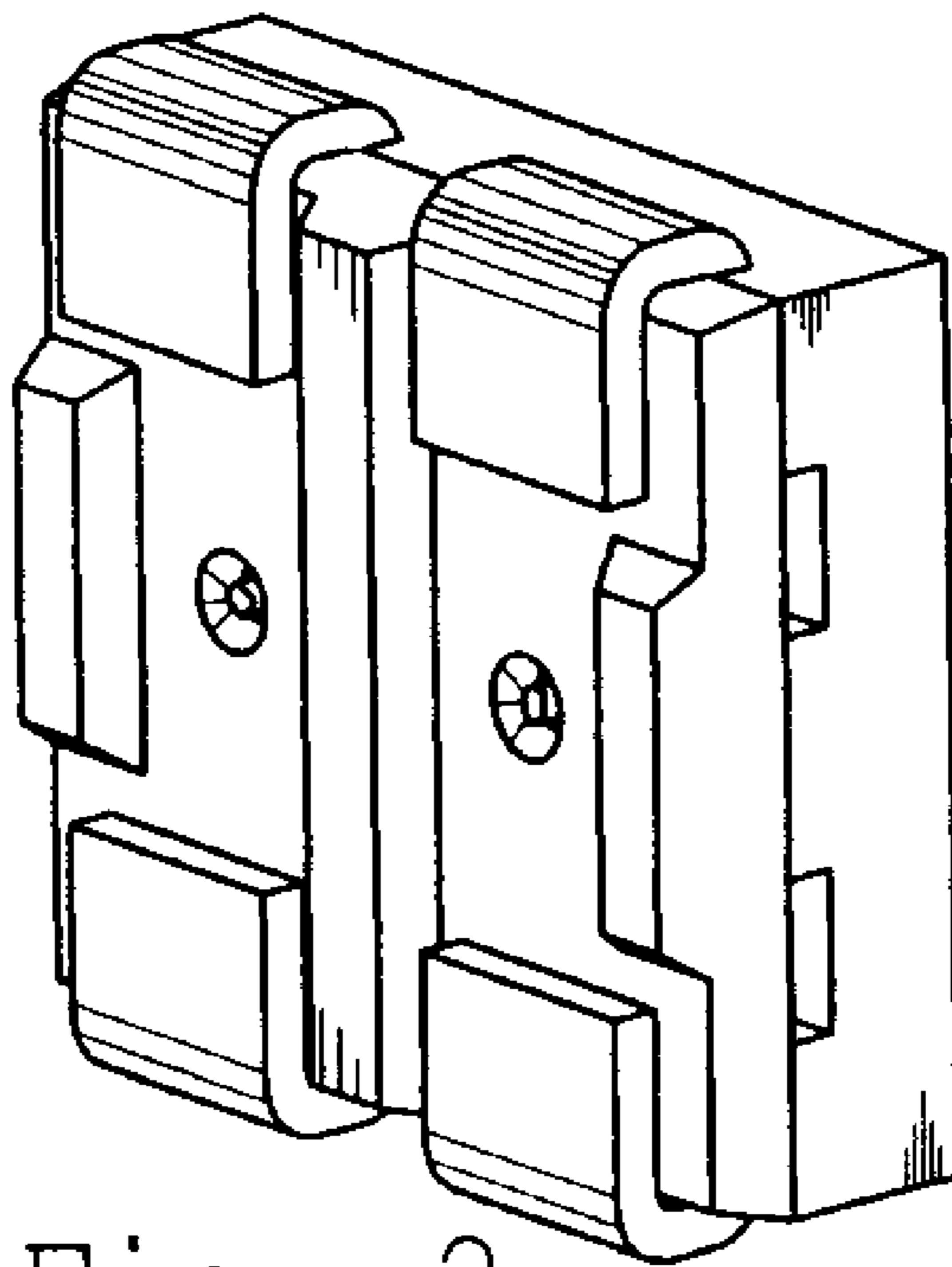


Fig. 2

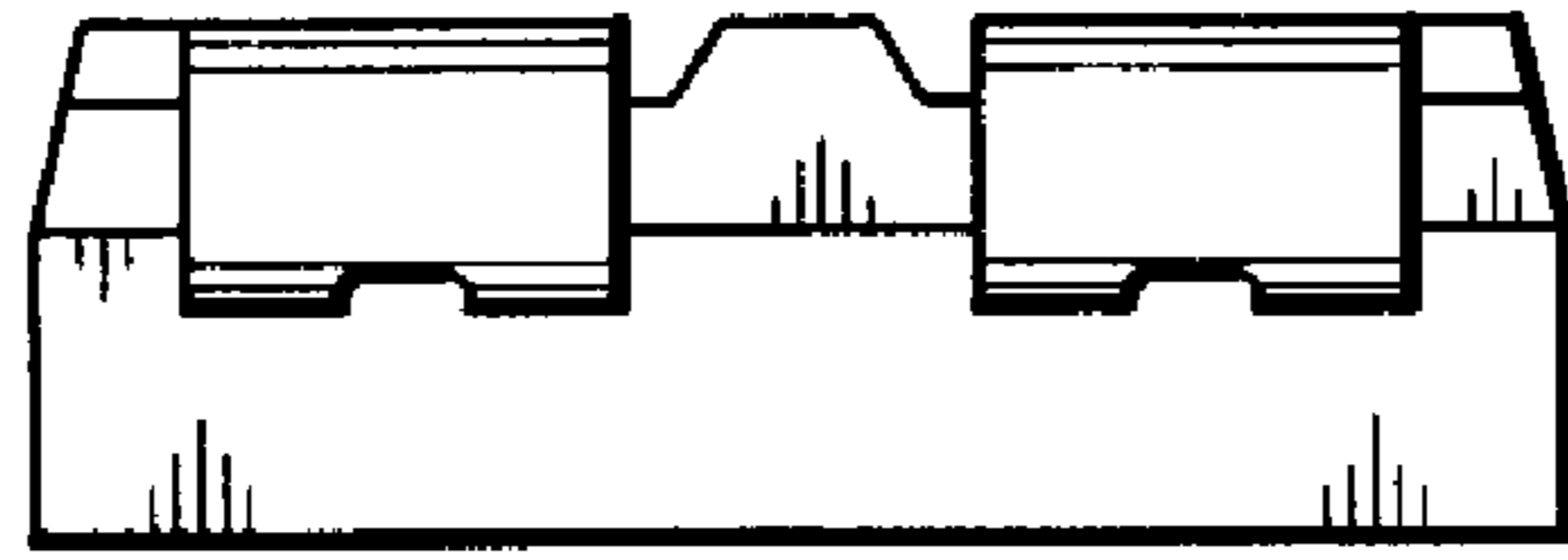


Fig. 3

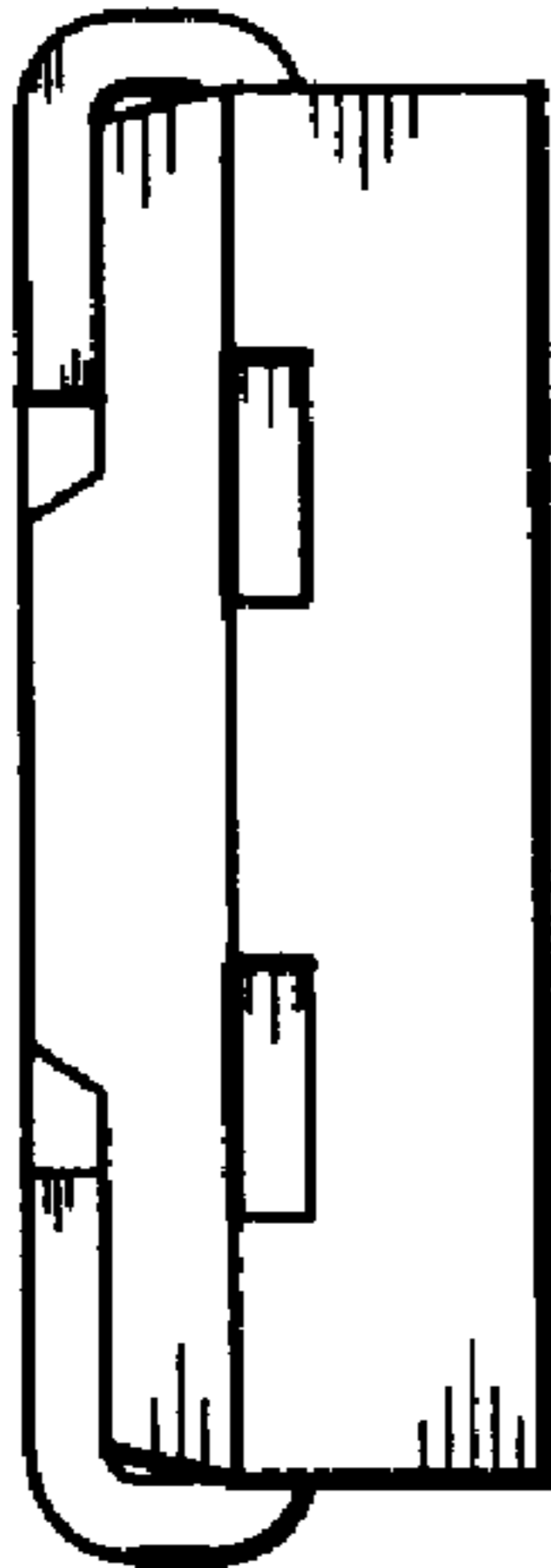


Fig. 4

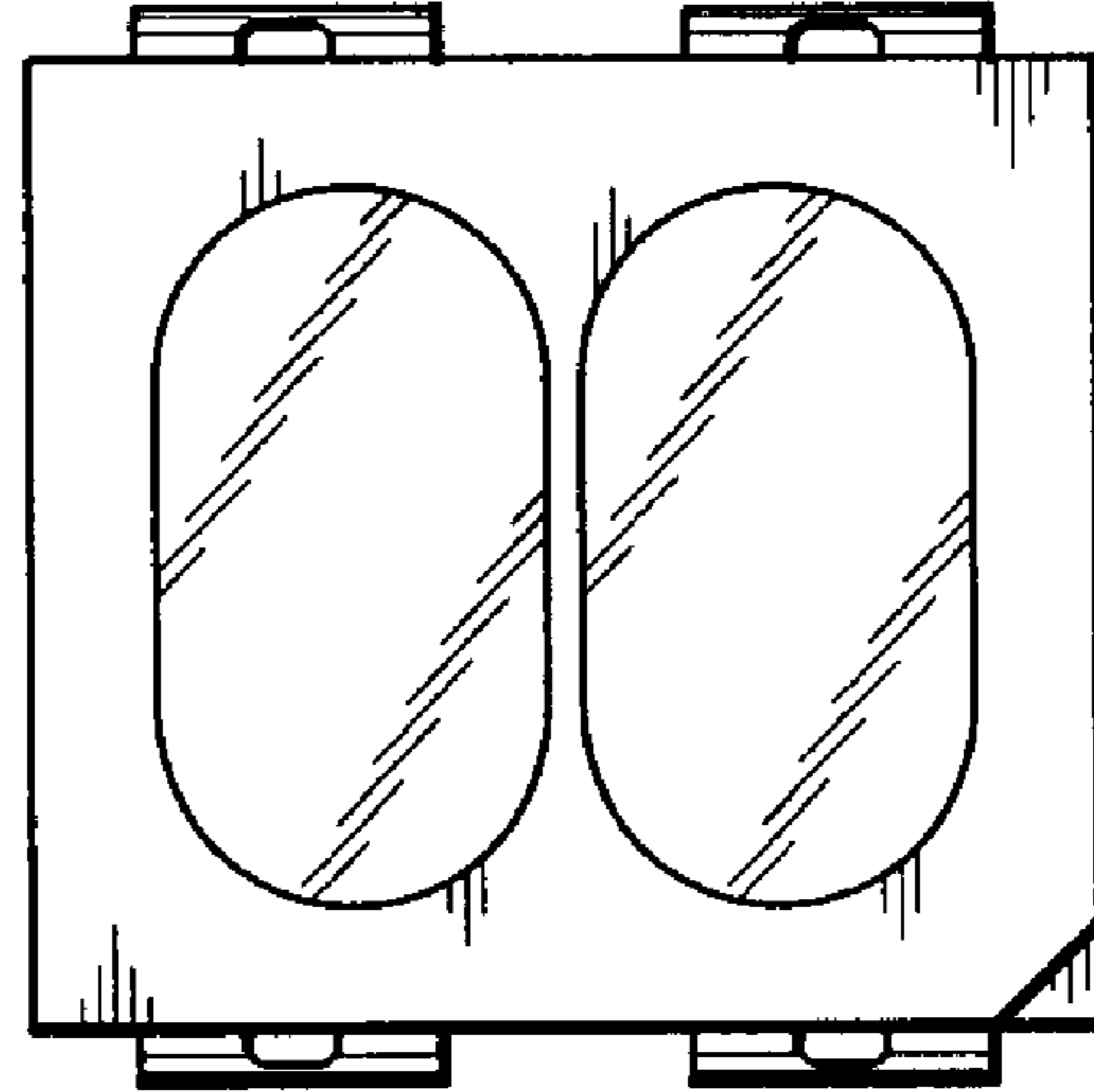


Fig. 5

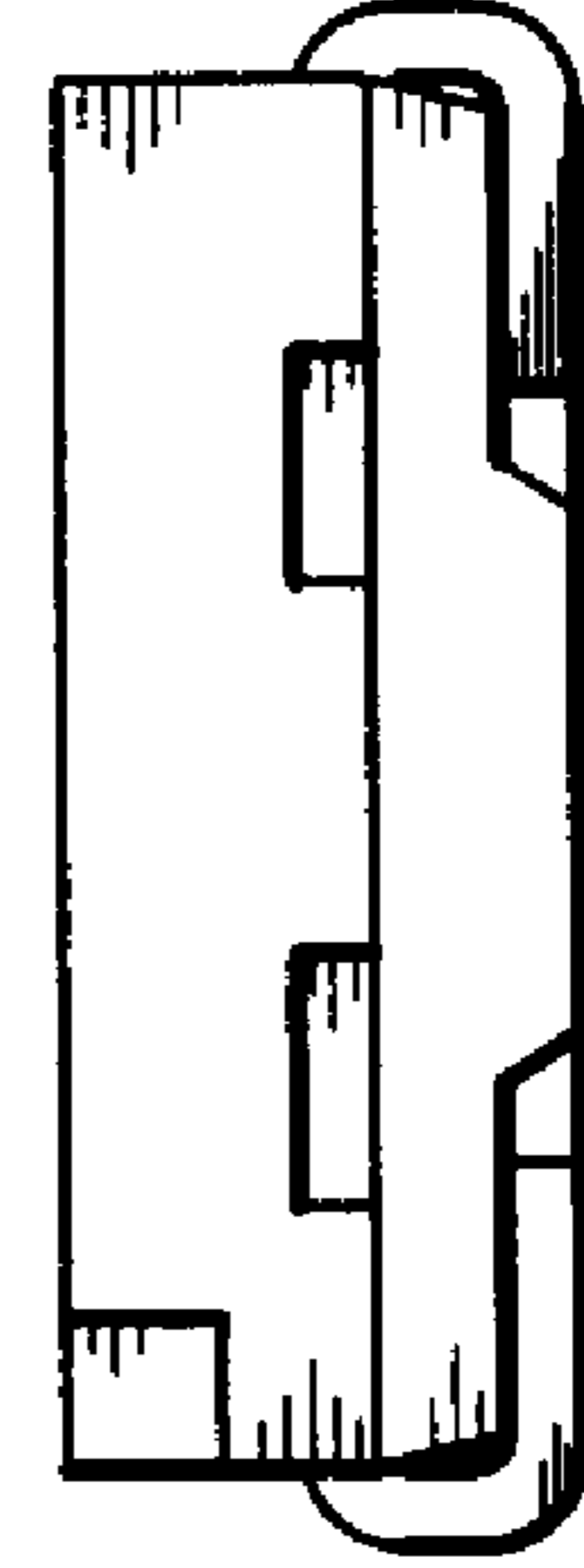


Fig. 6



Fig. 7

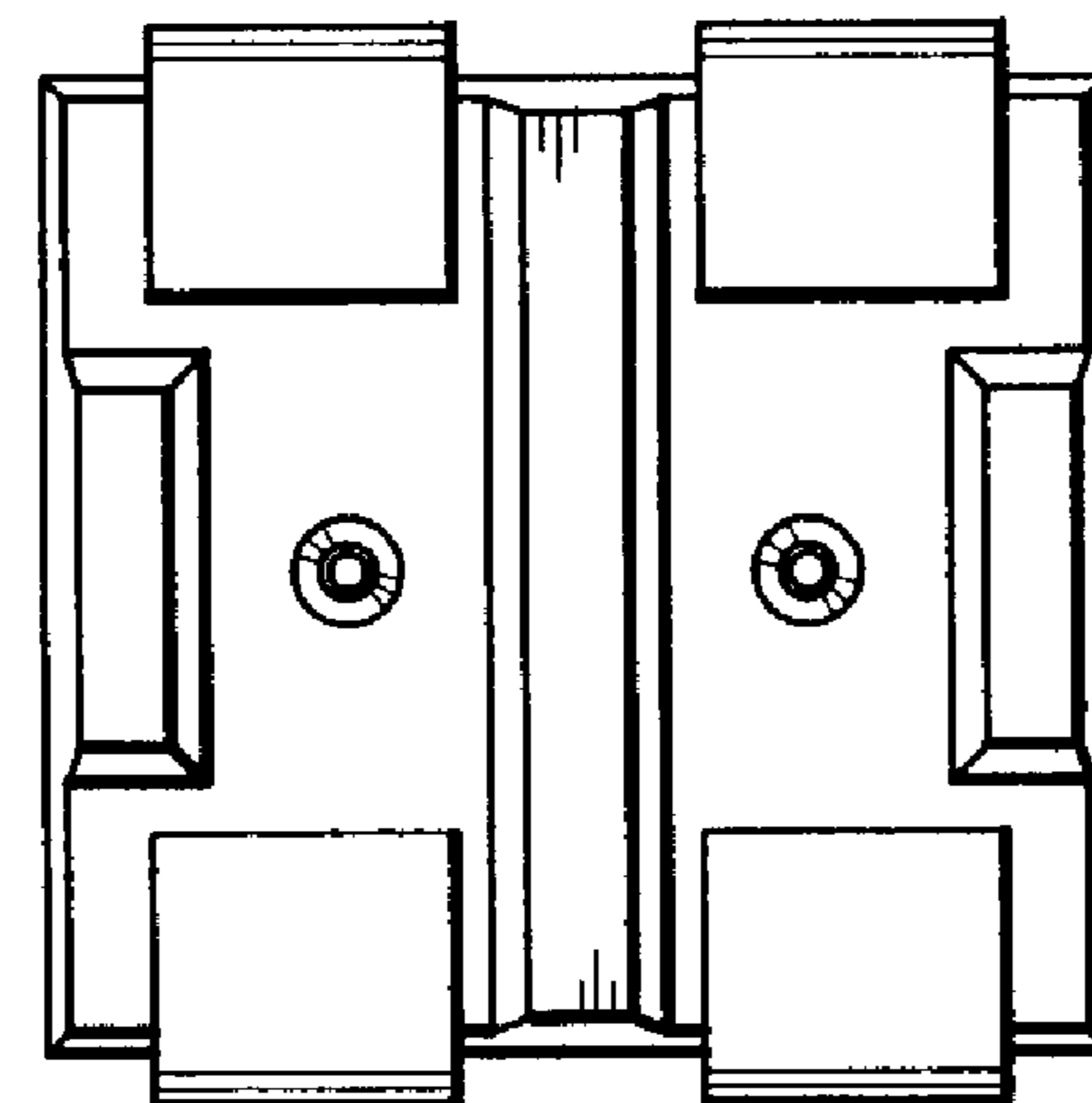


Fig. 8