



US00D528513S

(12) **United States Design Patent**
Grendahl

(10) **Patent No.:** **US D528,513 S**

(45) **Date of Patent:** **** Sep. 19, 2006**

(54) **PROTECTIVE COVER PLATE**

(76) Inventor: **Mark S. Grendahl**, 117 Belmont Rd.,
Apple Valley, MN (US) 55124

(**) Term: **14 Years**

(21) Appl. No.: **29/178,220**

(22) Filed: **Mar. 24, 2003**

(51) **LOC (8) Cl.** **13-03**

(52) **U.S. Cl.** **D13/177; D13/156**

(58) **Field of Classification Search** D13/156,
D13/177; D8/353; 174/50, 58, 66, 67; 200/333;
220/3.2, 3.4, 3.5, 3.6, 3.7, 3.8, 241, 242,
220/4.02

See application file for complete search history.

(56) **References Cited**

U.S. PATENT DOCUMENTS

3,601,276 A	8/1971	Culpepper	
4,202,388 A *	5/1980	Wieting	144/353
4,979,633 A	12/1990	Lahey	
D345,142 S	3/1994	Porter	
5,301,437 A	4/1994	Burke	
5,526,952 A	6/1996	Green	

(Continued)

Primary Examiner—Prabhakar Deshmukh

Assistant Examiner—Selina Sikder

(74) *Attorney, Agent, or Firm*—Kinney & Lange, P.A.

(57) **CLAIM**

The ornamental design for a protective cover plate, as shown and described.

DESCRIPTION

FIG. 1 is a front perspective view of a first embodiment of a protective cover plate incorporating my new design, shown with a single electrical box, stud and wallboard in phantom lines for illustrative purposes and forming no part of the claimed invention;

FIG. 2 is a top plan view thereof;

FIG. 3 is a left side elevational view thereof;

FIG. 4 is a front elevational view thereof;

FIG. 5 is a right side elevational view thereof;

FIG. 6 is a bottom plan view thereof;

FIG. 7 is a rear elevational view thereof;

FIG. 8 is a front perspective view of a second embodiment of a protective cover plate incorporating my new design, shown with a single electrical box, stud and wallboard in phantom lines for illustrative purposes and forming no part of the claimed invention;

FIG. 9 is a top plan view thereof;

FIG. 10 is a left side elevational view thereof;

FIG. 11 is a front elevational view thereof;

FIG. 12 is a right side elevational view thereof;

FIG. 13 is a bottom plan view thereof;

FIG. 14 is a rear elevational view thereof;

FIG. 15 is a front perspective view of a third embodiment of a protective cover plate incorporating my new design, shown with a double electrical box, stud and wallboard in phantom lines for illustrative purposes and forming no part of the claimed invention;

FIG. 16 is a top plan view thereof;

FIG. 17 is a left side elevational view thereof;

FIG. 18 is a front elevational view thereof;

FIG. 19 is a right side elevational view thereof;

FIG. 20 is a bottom plan view thereof;

FIG. 21 is a rear elevational view thereof;

FIG. 22 is a front perspective view of a fourth embodiment of a protective cover plate incorporating my new design, shown with a double electrical box, stud and wallboard in phantom lines for illustrative purposes and forming no part of the claimed invention;

FIG. 23 is a top plan view thereof;

FIG. 24 is a left side elevational view thereof;

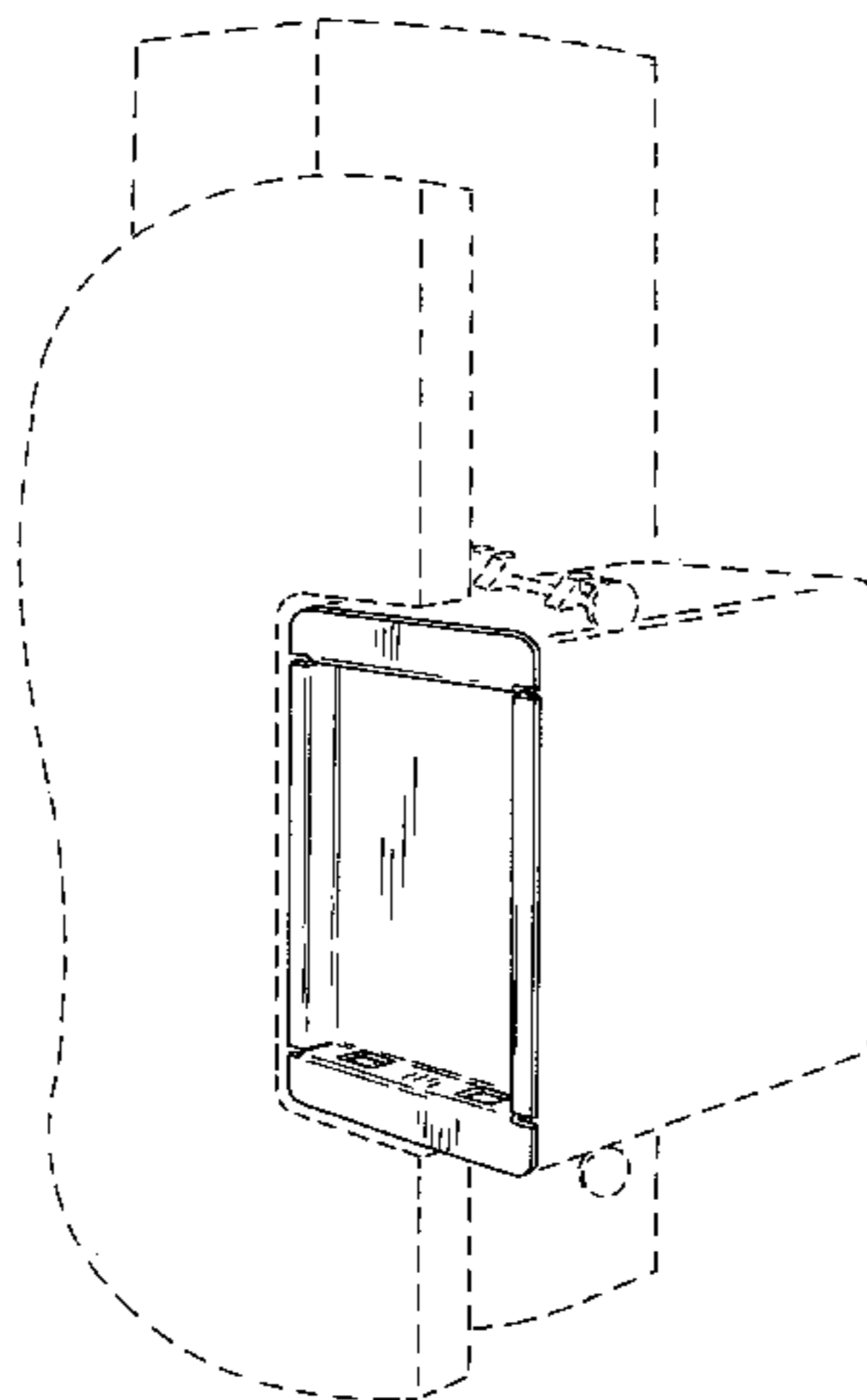
FIG. 25 is a front elevational view thereof;

FIG. 26 is a right side elevational view thereof;

FIG. 27 is a bottom plan view thereof; and,

FIG. 28 is a rear elevational view thereof.

1 Claim, 8 Drawing Sheets



US D528,513 S

Page 2

U.S. PATENT DOCUMENTS							
5,562,222	A	10/1996	Jordan et al.	6,538,202	B1 *	3/2003	Shaffer et al. 174/66
5,639,991	A	6/1997	Schuette	6,557,305	B1 *	5/2003	Hayes 52/27
5,710,392	A	1/1998	Bordwell et al.	6,573,446	B1 *	6/2003	Umstead et al. 174/50
6,103,974	A	8/2000	Erdfarb	6,608,252	B1	8/2003	Hurley
6,166,329	A	12/2000	Oliver et al.	6,653,566	B1	11/2003	Petak et al.
6,239,365	B1 *	5/2001	McEvers 174/50	6,681,948	B1	1/2004	Santa Cruz et al.
6,403,883	B1	6/2002	Morgan et al.	6,686,540	B1	2/2004	Compagnone, Jr.
6,479,749	B1	11/2002	Vrame	6,769,562	B1 *	8/2004	Schroeder 220/3.5
6,520,363	B1	2/2003	Sullivan	2004/0188126	A1 *	9/2004	Grendahl 174/66

* cited by examiner

FIG. 1

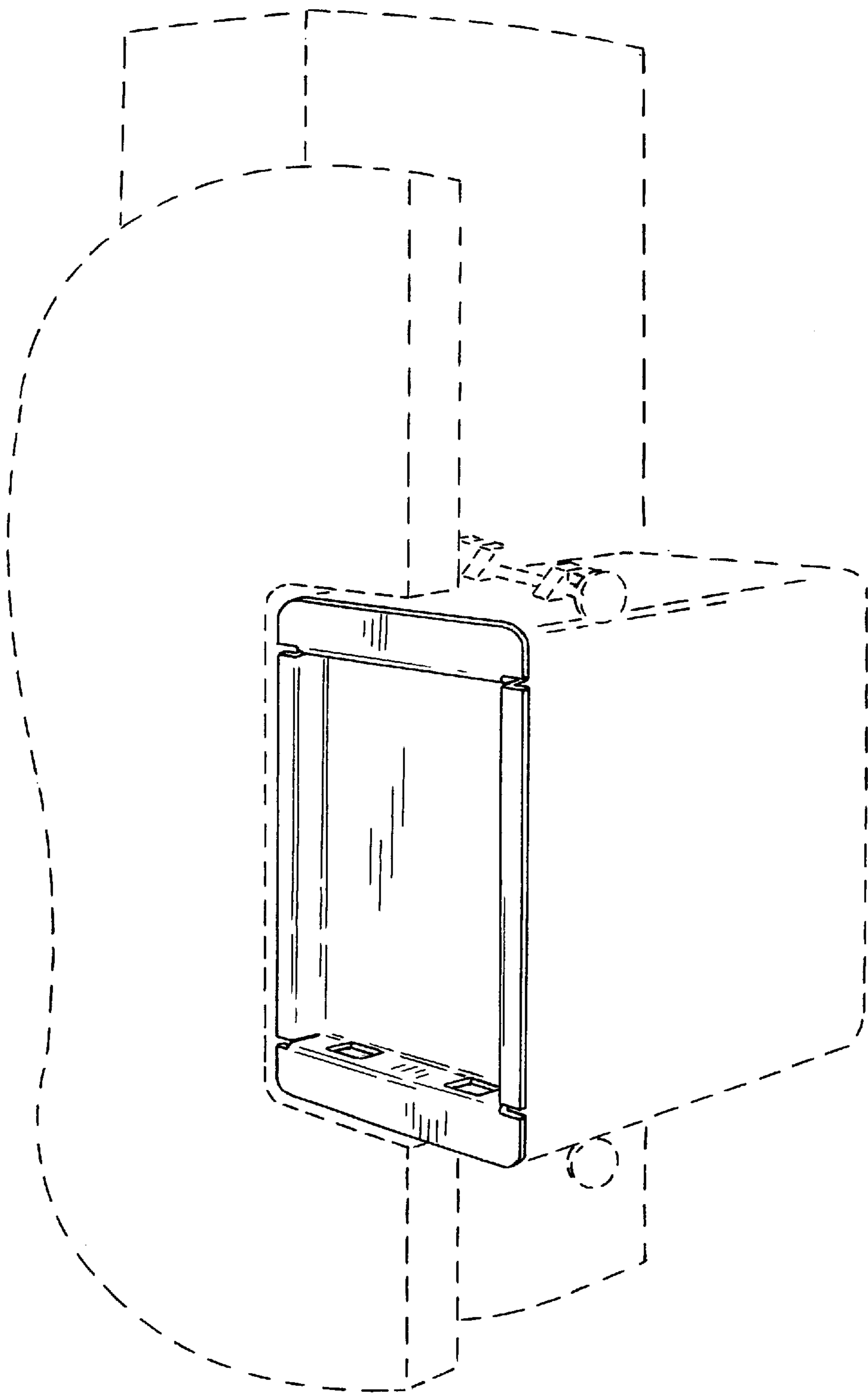


FIG. 2



FIG. 3



FIG. 4

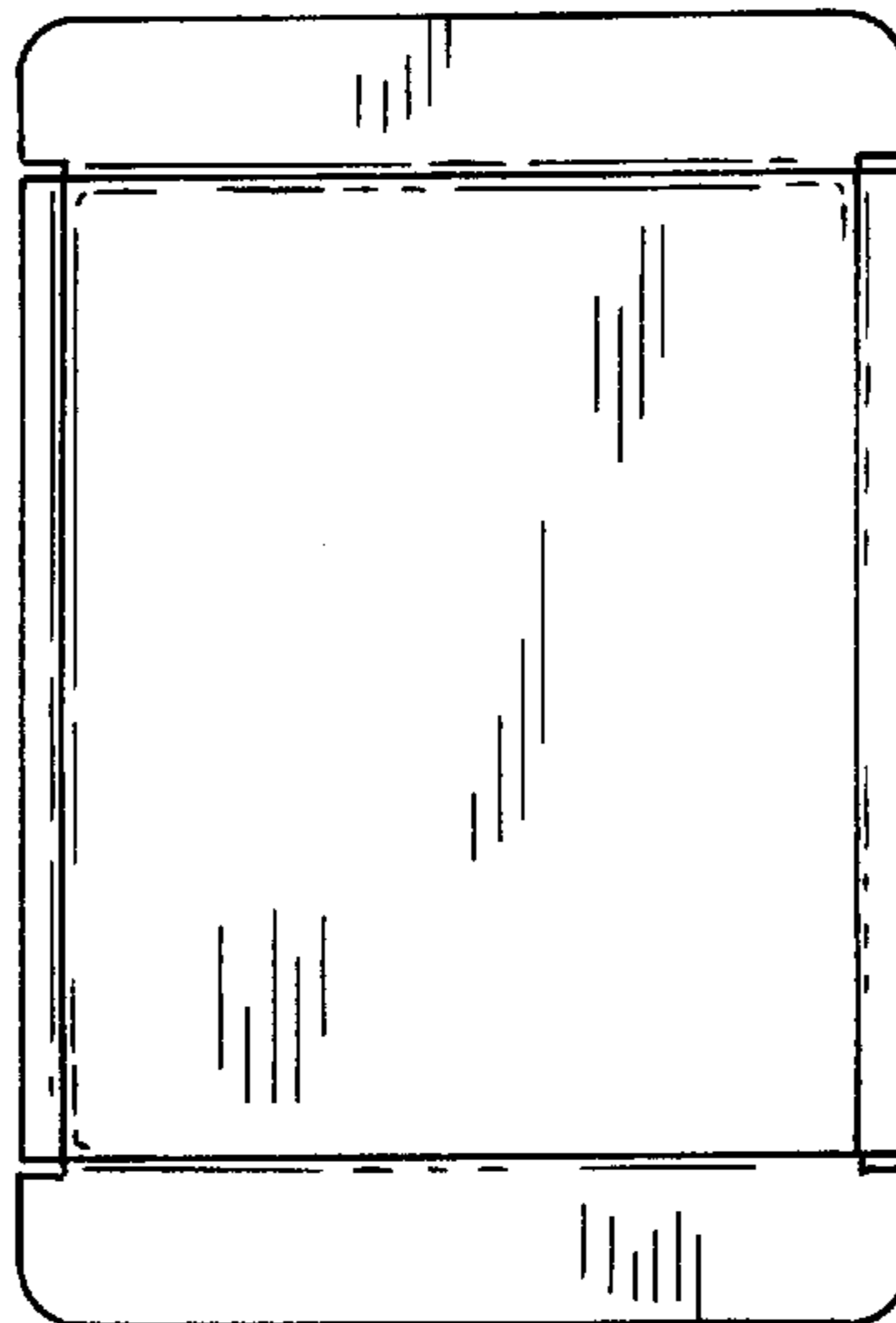


FIG. 5



FIG. 6

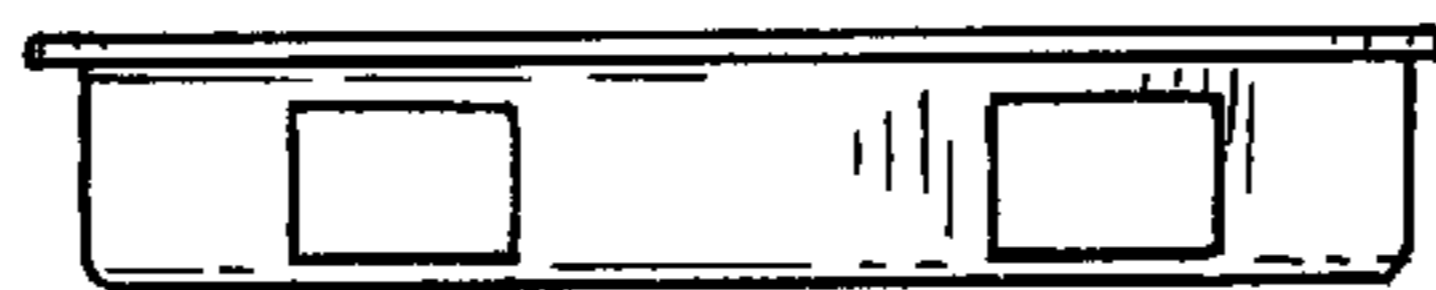


FIG. 7

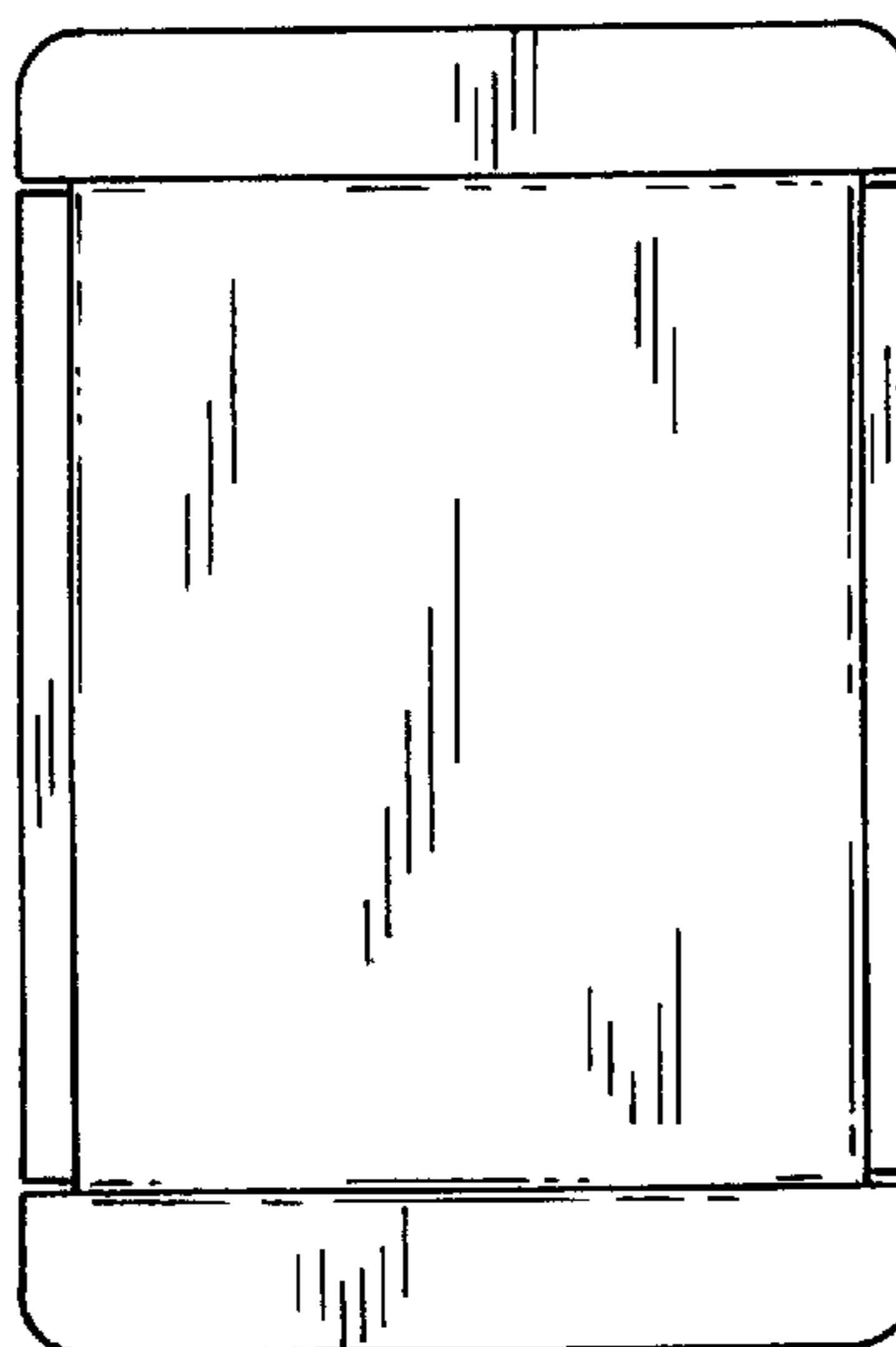


FIG. 8

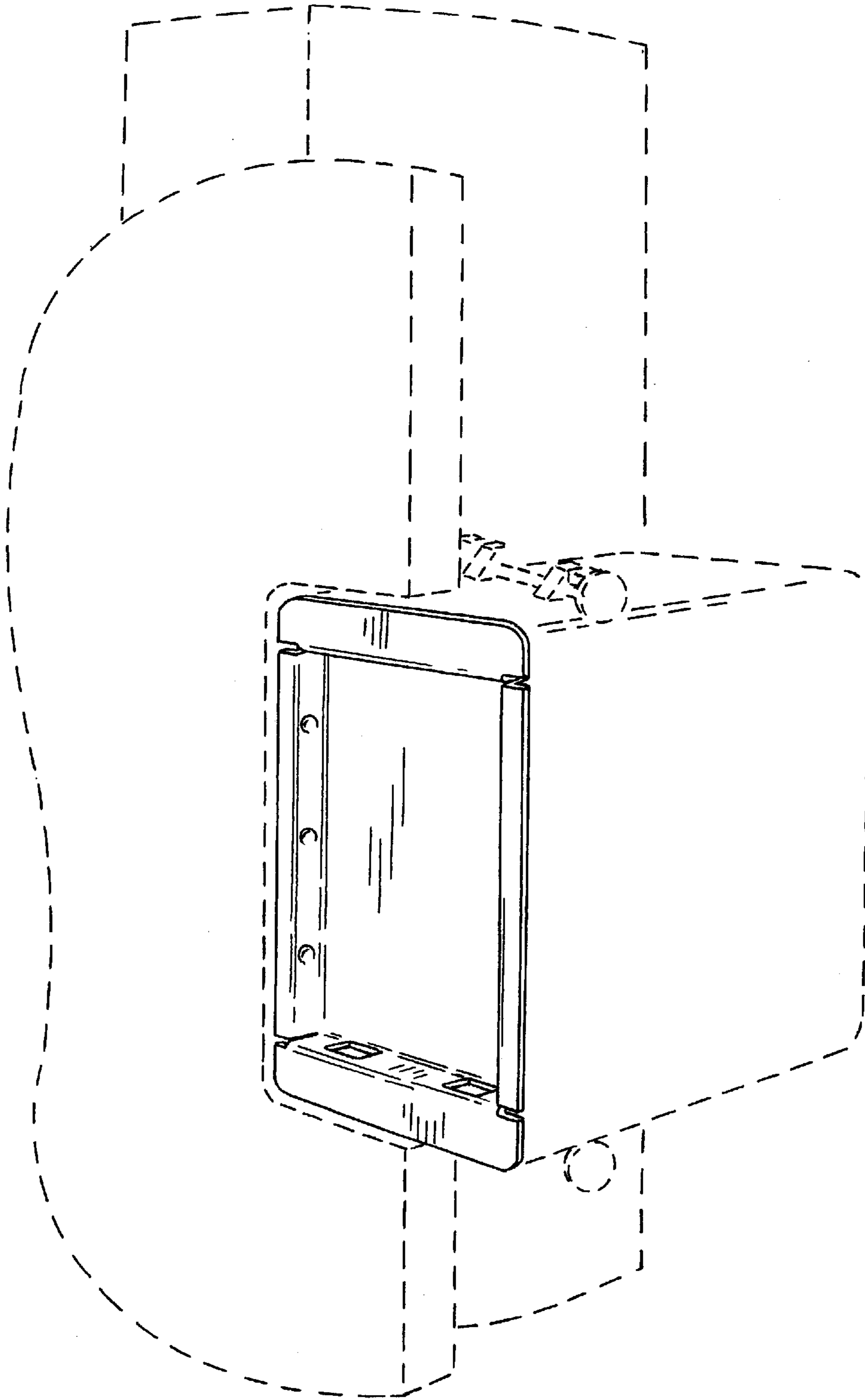


FIG. 9



FIG. 10



FIG. 11

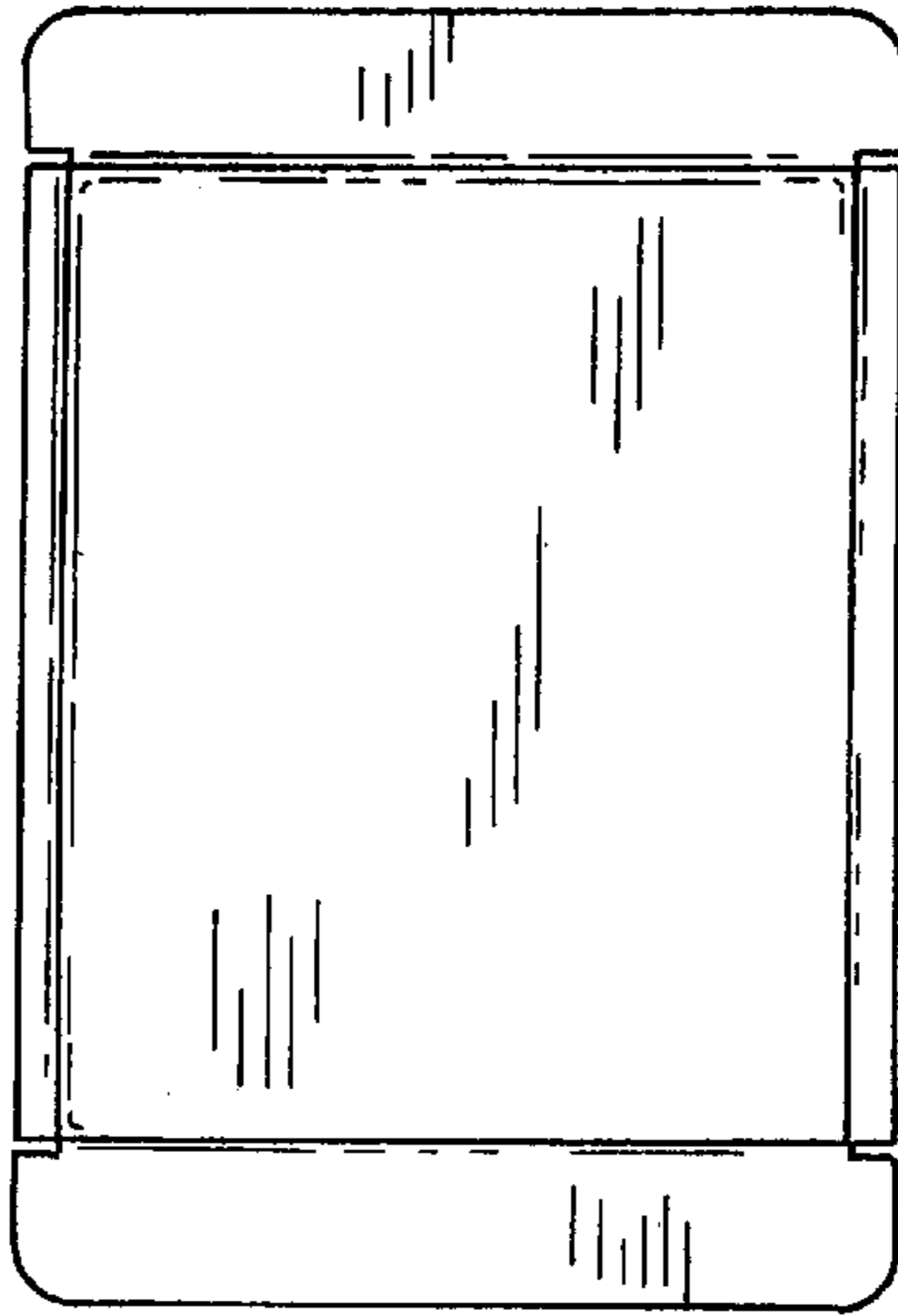


FIG. 12



FIG. 13

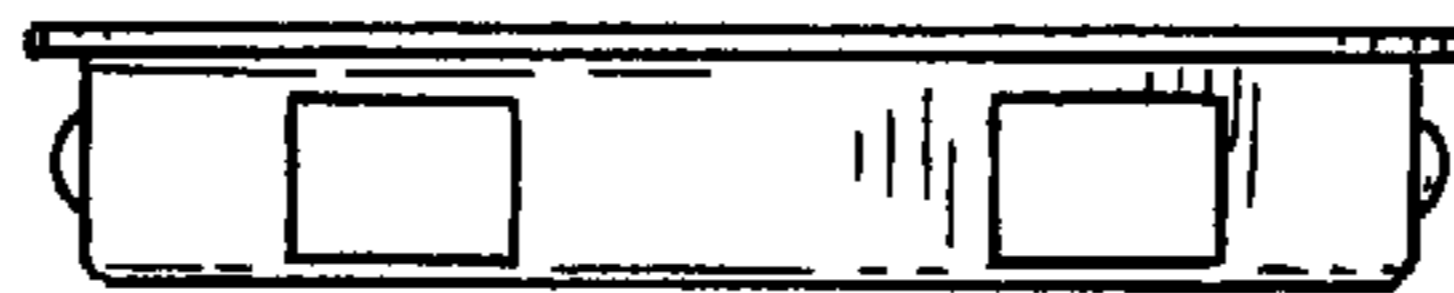


FIG. 14

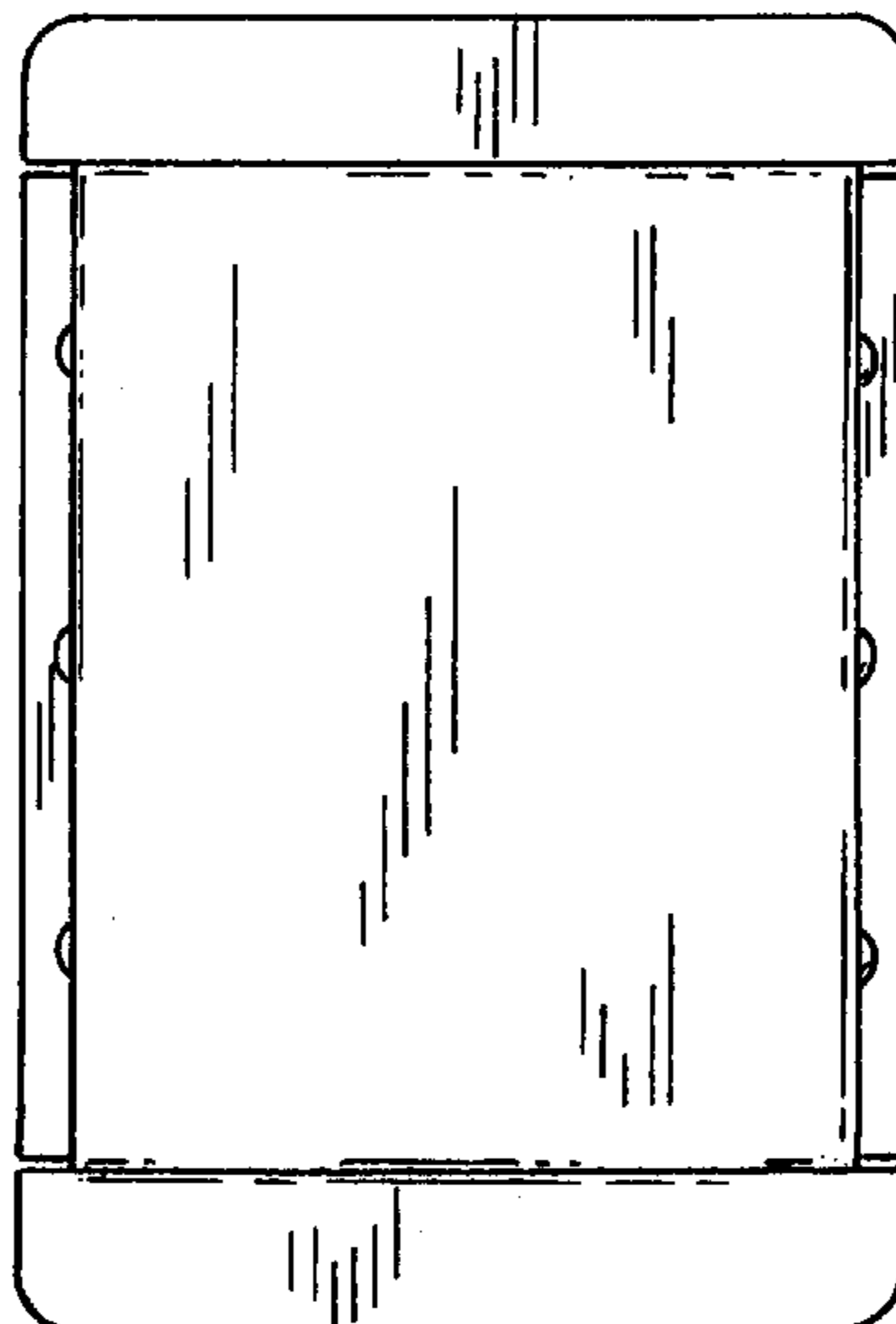


FIG. 15

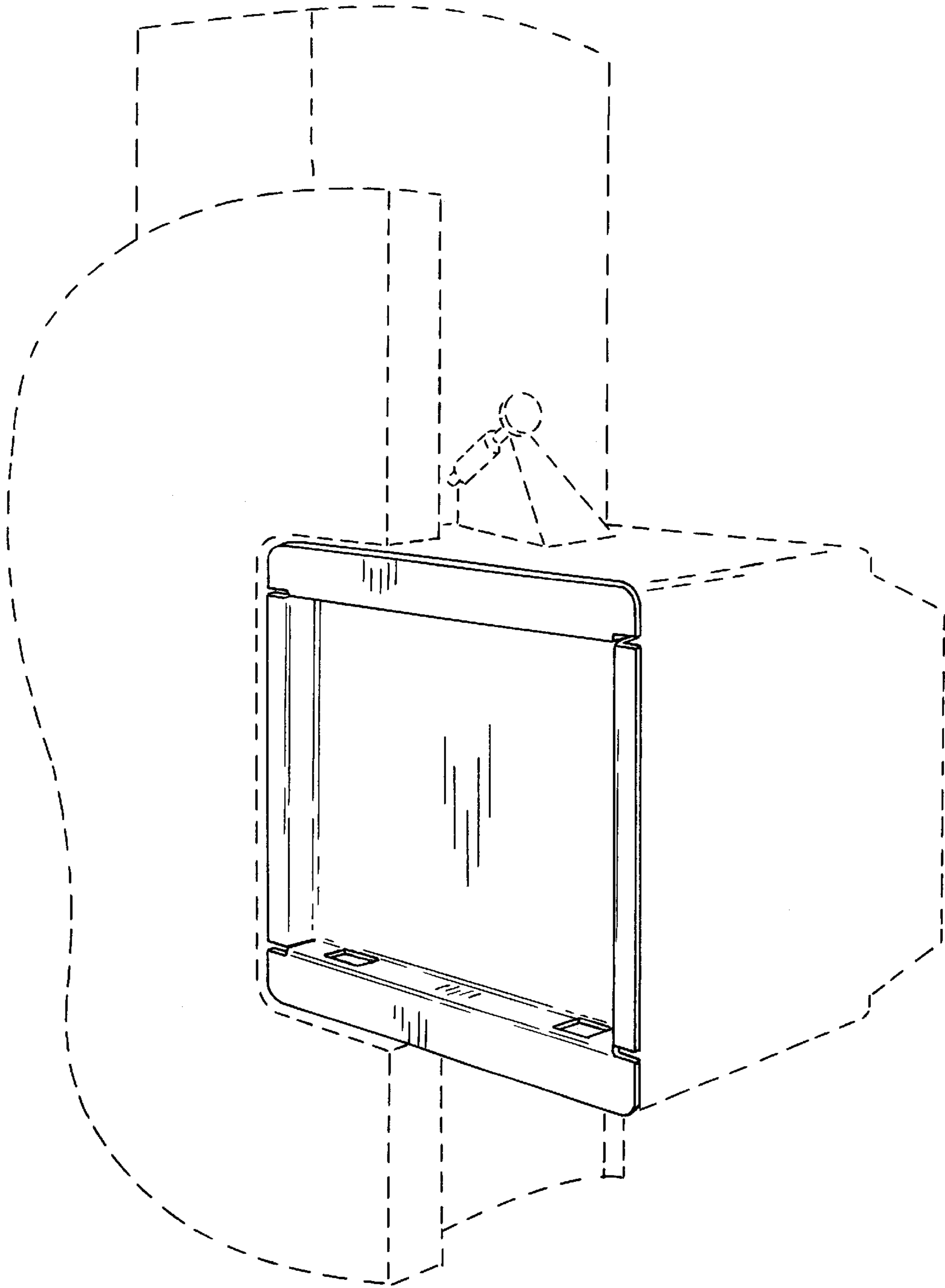


FIG. 16



FIG. 17

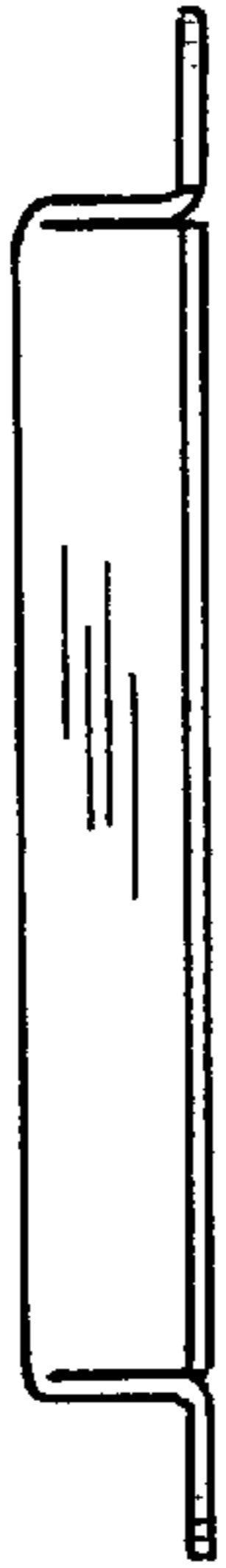


FIG. 18

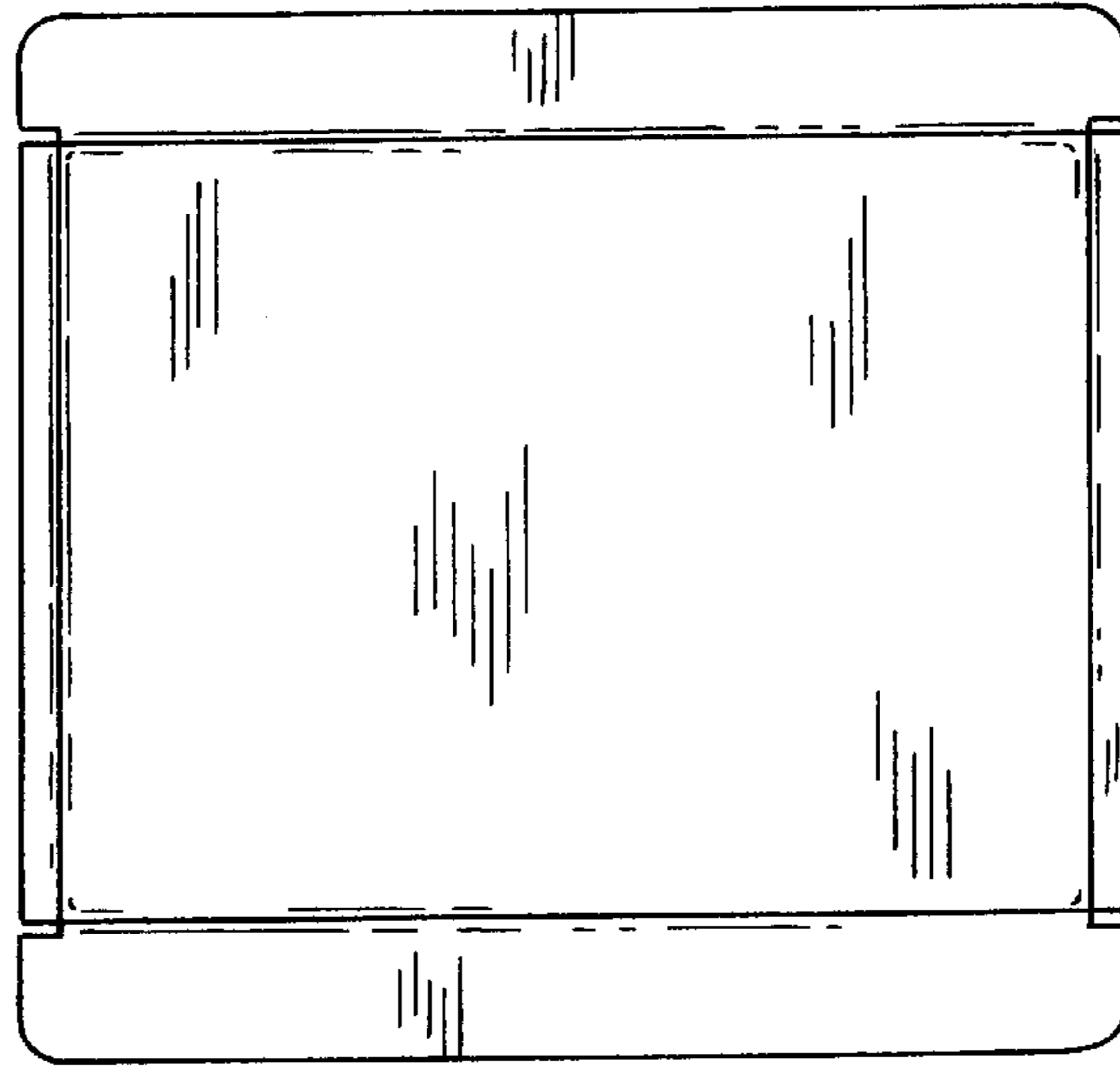


FIG. 19



FIG. 20

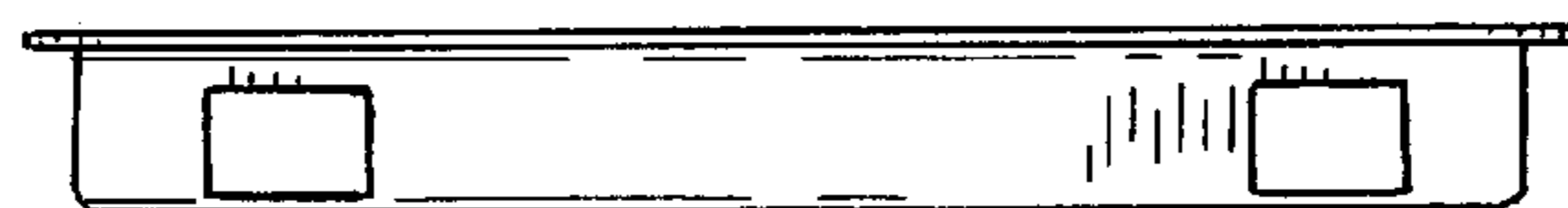


FIG. 21

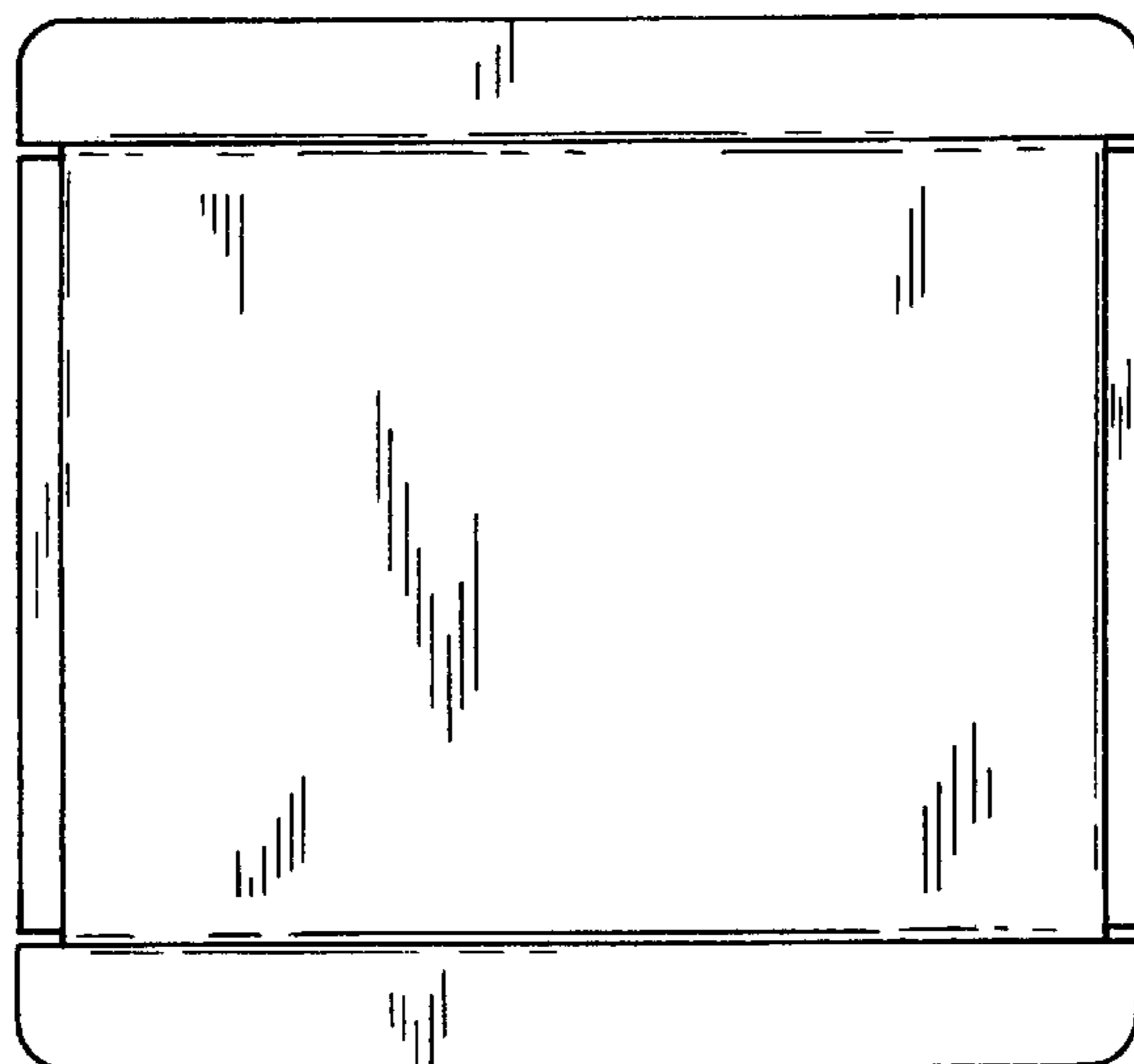


FIG. 22

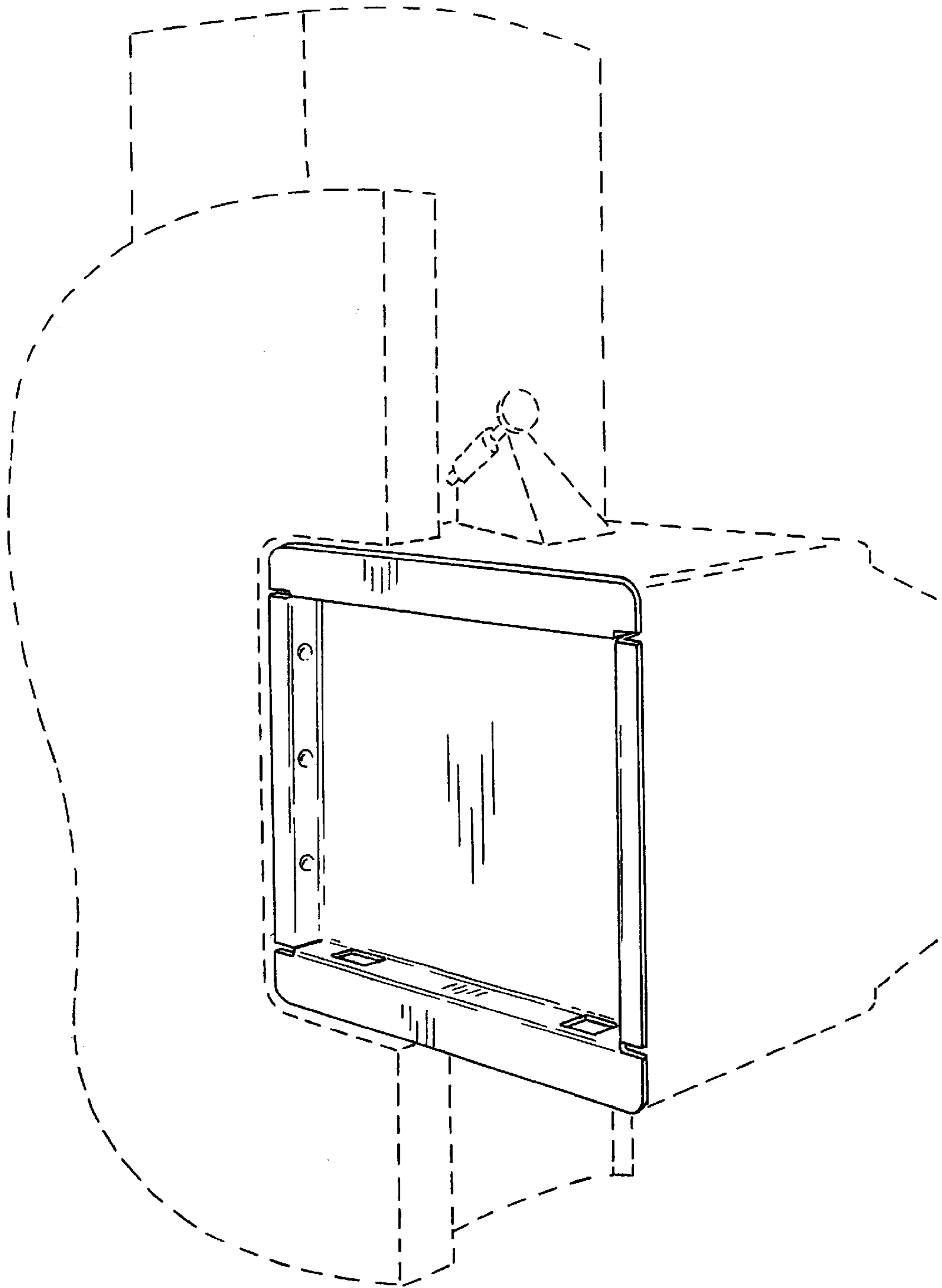


FIG. 23



FIG. 24

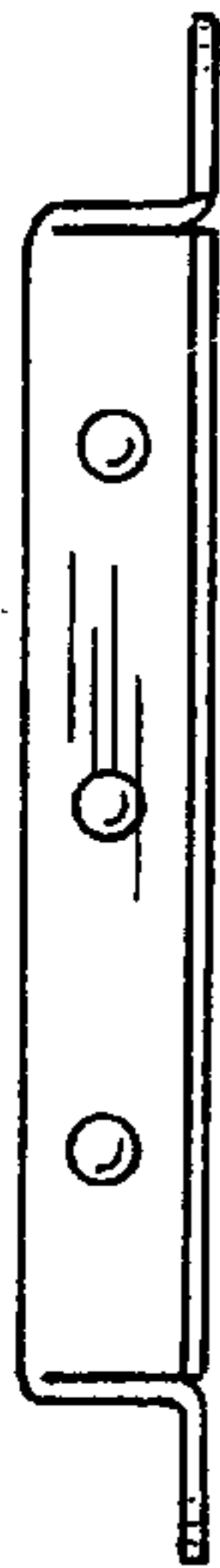


FIG. 25

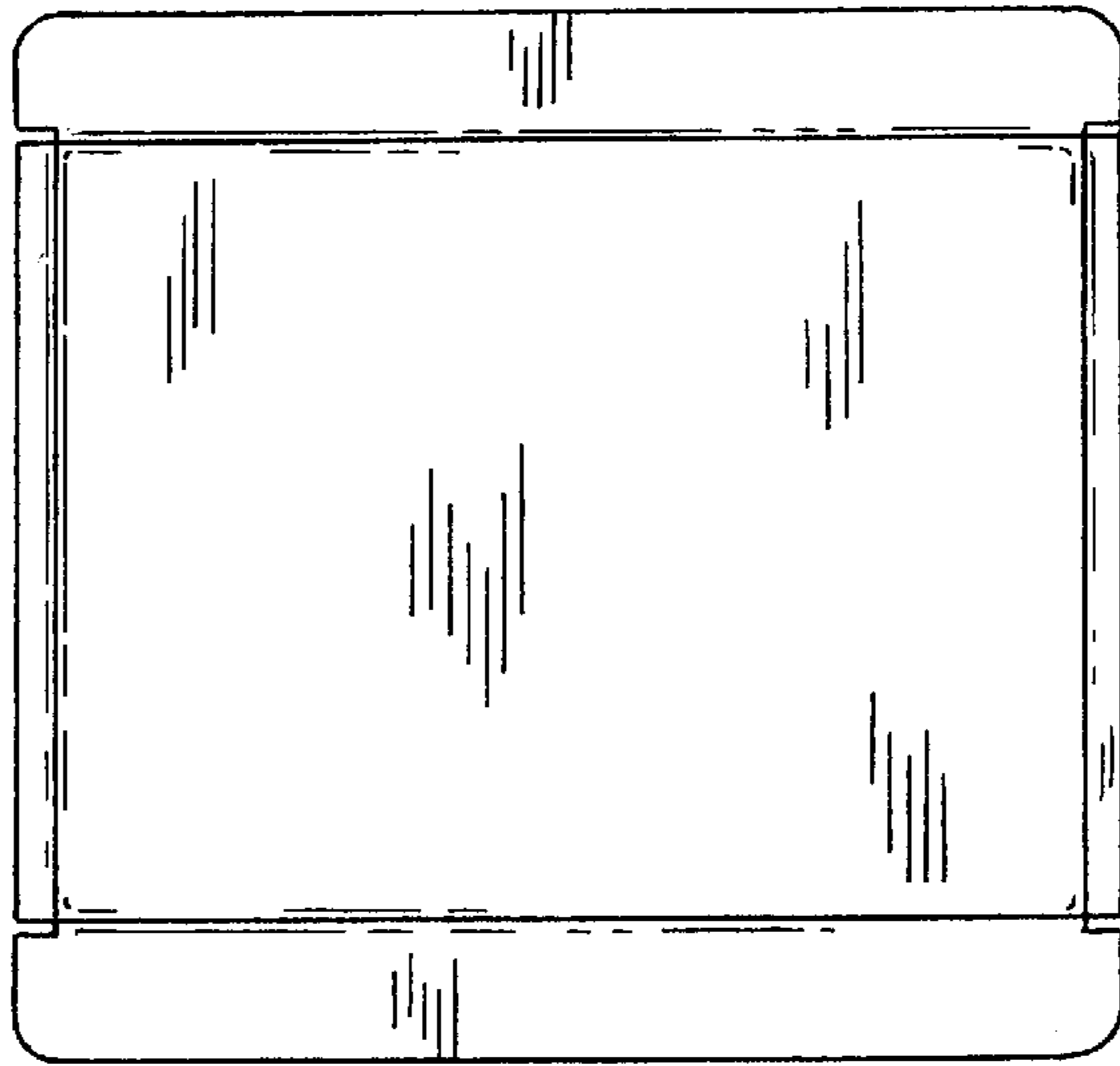


FIG. 26



FIG. 27

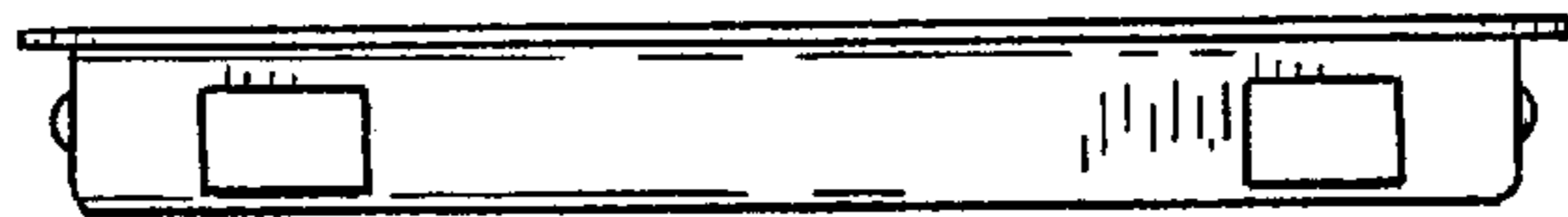


FIG. 28

