

US00D528511S

(12) **United States Design Patent**
Li

(10) **Patent No.:** **US D528,511 S**

(45) **Date of Patent:** **** Sep. 19, 2006**

(54) **REMOTE CONTROL FOR BURGLAR ALARM**

(75) Inventor: **Anpei Li**, Zhongshan (CN)

(73) Assignee: **Steel Mate Co., LTD** (CN)

(**) Term: **14 Years**

(21) Appl. No.: **29/238,505**

(22) Filed: **Sep. 19, 2005**

(51) **LOC (8) Cl.** **13-03**

(52) **U.S. Cl.** **D13/168**

(58) **Field of Classification Search** D13/168;
D10/104, 106; D14/218, 247; D21/329; 340/426.1,
340/426.13, 426.18, 426.36, 825.22, 825.25,
340/825.31, 825.36, 825.69-825.72; 341/20,
341/22, 23, 34, 173, 174, 176; 345/156, 168,
345/169; 348/734; 455/92, 95, 100, 128,
455/151.1-151.4, 325-355; 463/39, 42; 700/17,
700/19, 20, 281; D3/207, 208

See application file for complete search history.

(56) **References Cited**

U.S. PATENT DOCUMENTS

D309,890 S * 8/1990 Cheng D13/168

D392,201 S * 3/1998 Chen D10/104
D405,424 S * 2/1999 Winkler et al. D13/168
D499,718 S * 12/2004 Chen D14/218
D514,527 S * 2/2006 DiPasquale D13/168
2002/0008610 A1 * 1/2002 Peterson 340/5.64
2004/0140883 A1 * 7/2004 Jalil et al. 340/5.64
2004/0201451 A1 * 10/2004 Sugimoto et al. 340/5.62

* cited by examiner

Primary Examiner—Selina Sikder

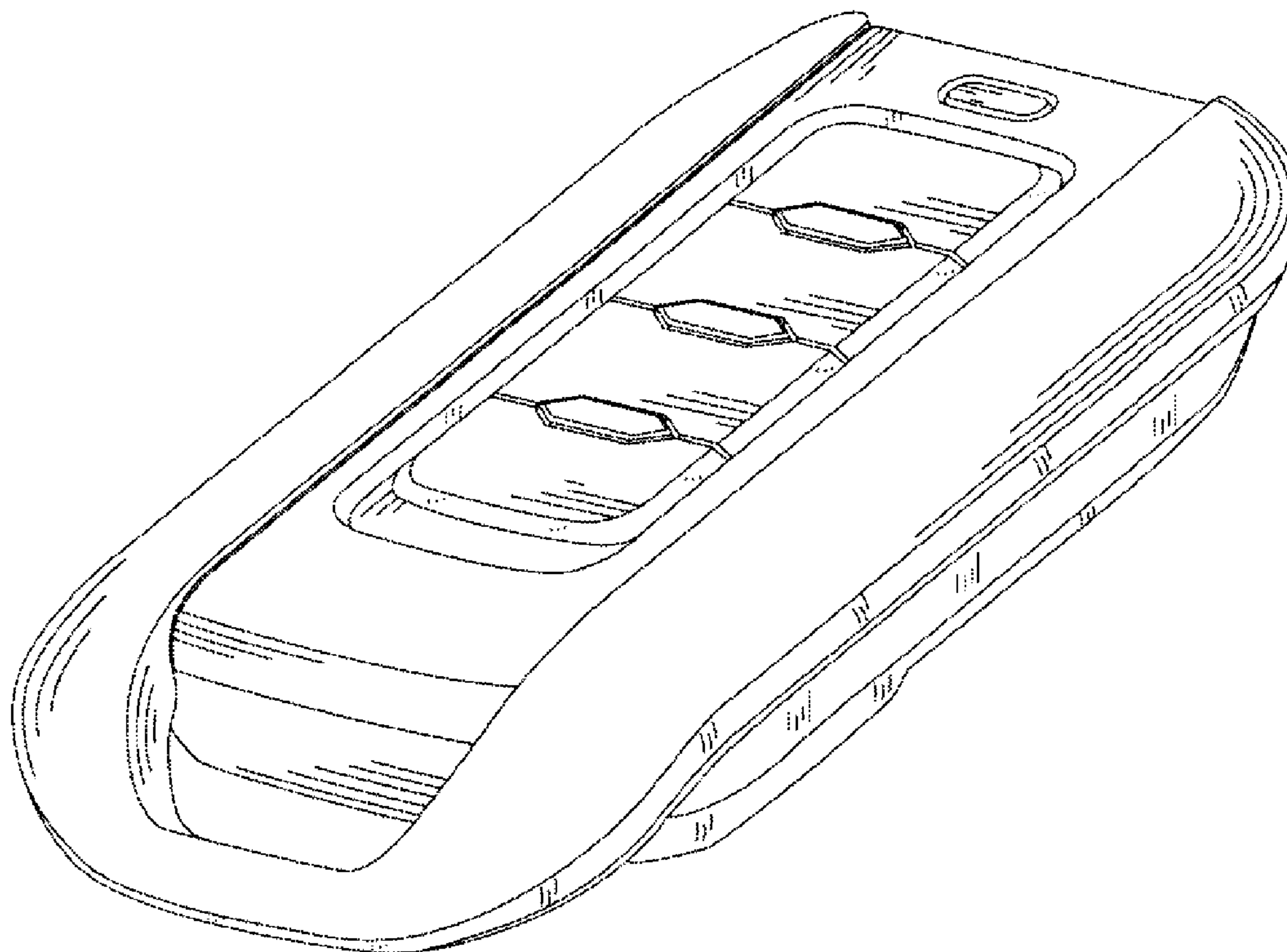
(57) **CLAIM**

The ornamental design for a remote control for burglar alarm, as shown.

DESCRIPTION

FIG. 1 is a front elevational view of a remote control for burglar alarm showing my new design;
FIG. 2 is a rear elevational view thereof;
FIG. 3 is a left side view thereof;
FIG. 4 is a right side view thereof;
FIG. 5 is a top plan view thereof;
FIG. 6 is a bottom plan view thereof; and,
FIG. 7 is a perspective view thereof.

1 Claim, 3 Drawing Sheets



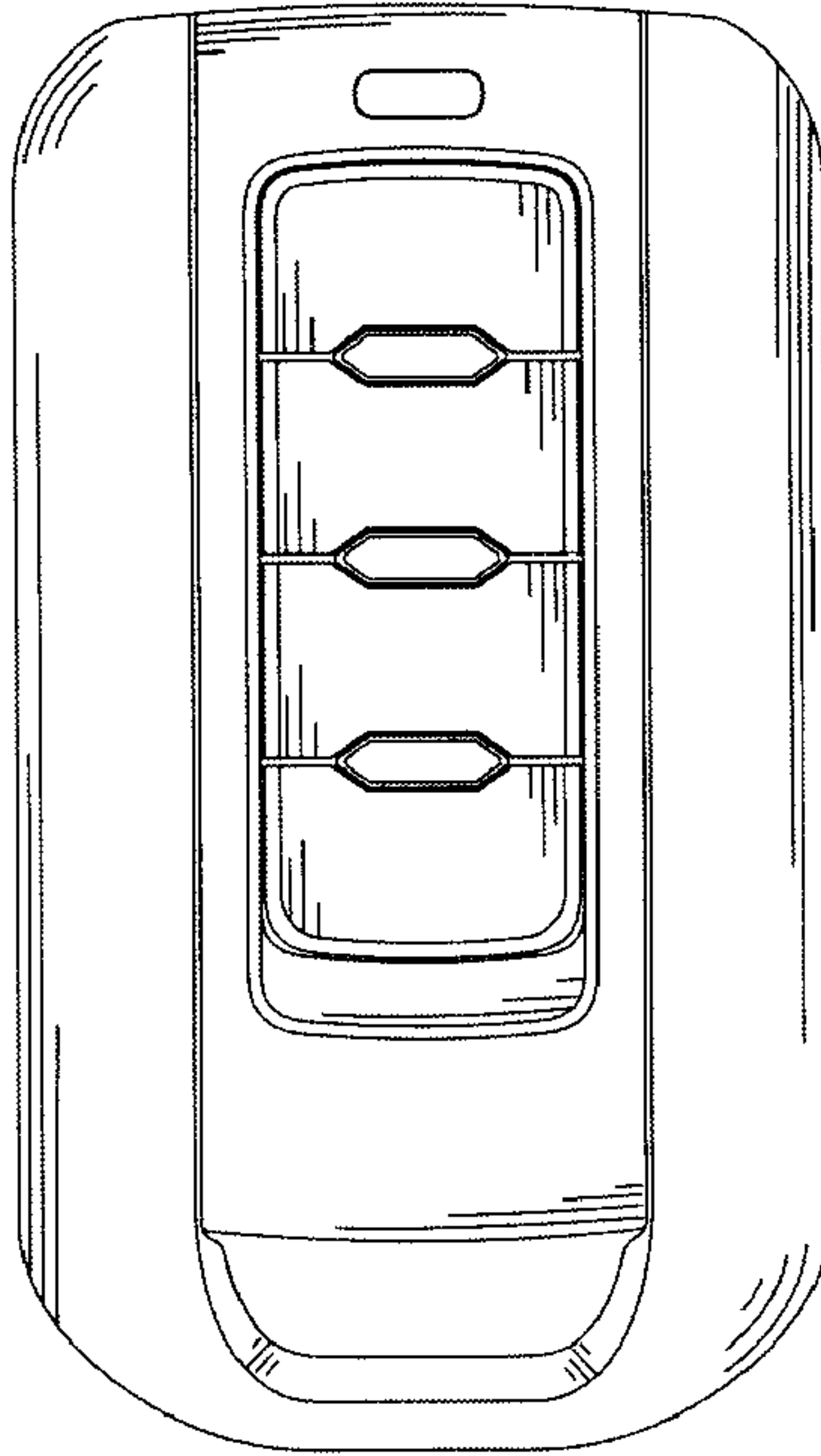


FIG. 1

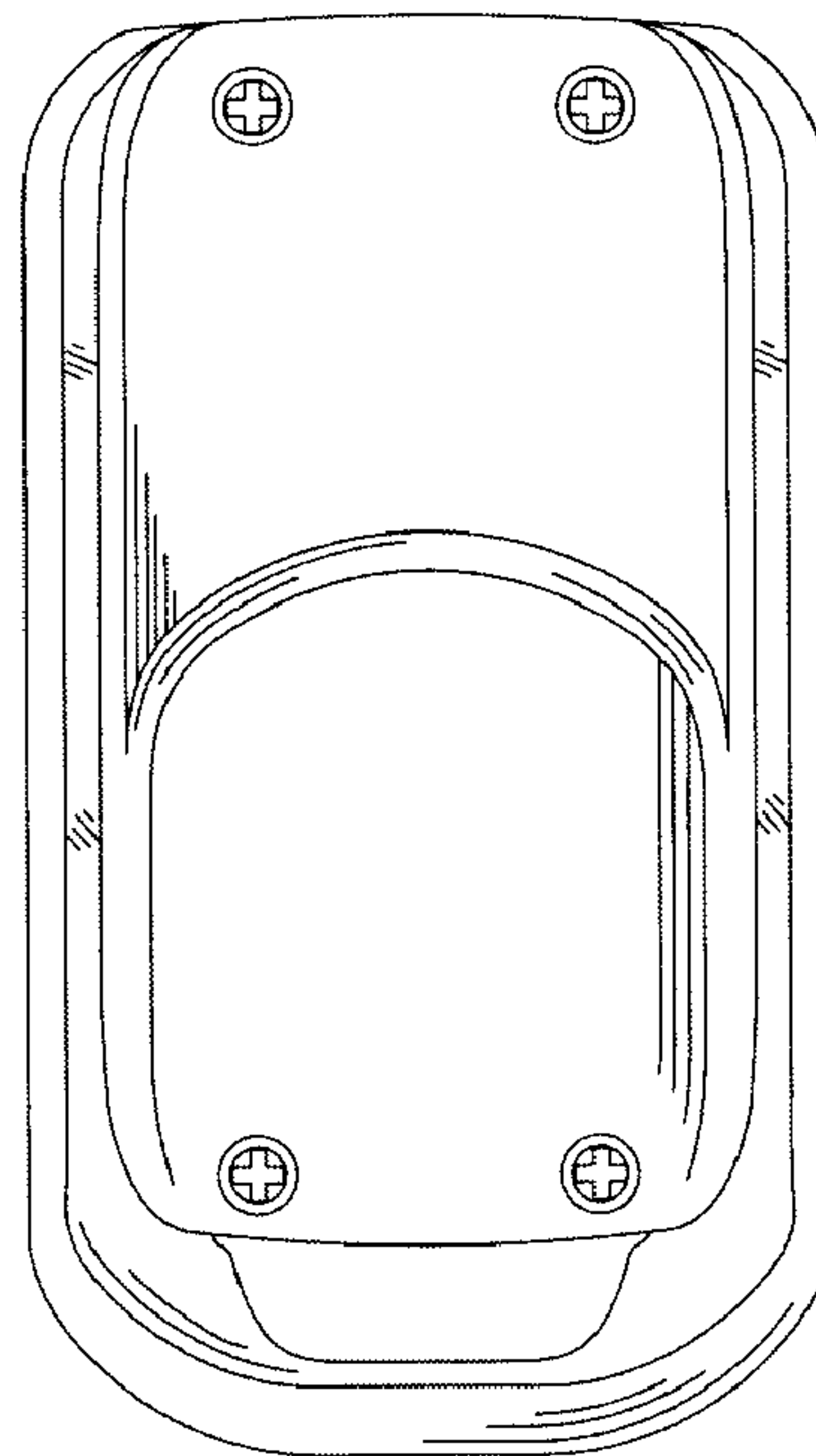


FIG. 2

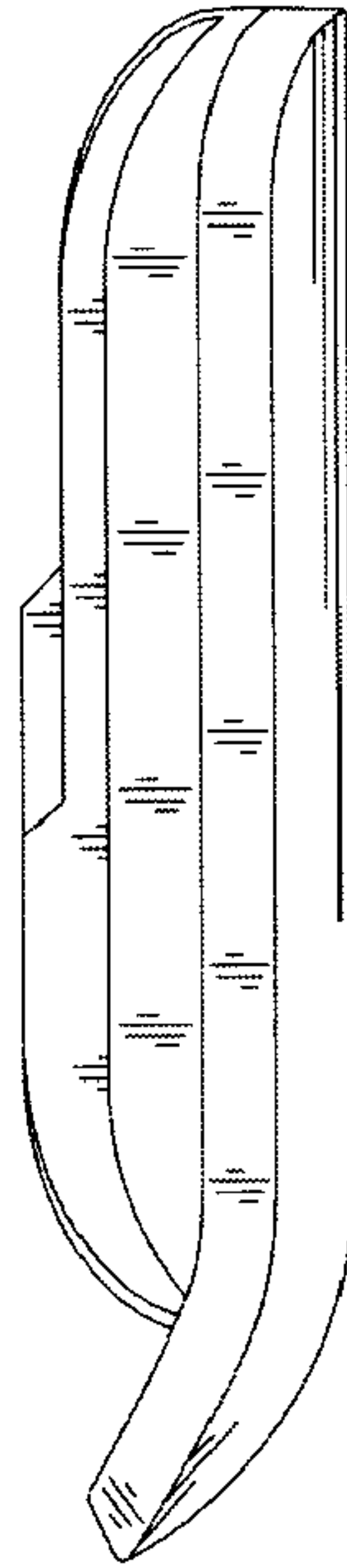


FIG. 3

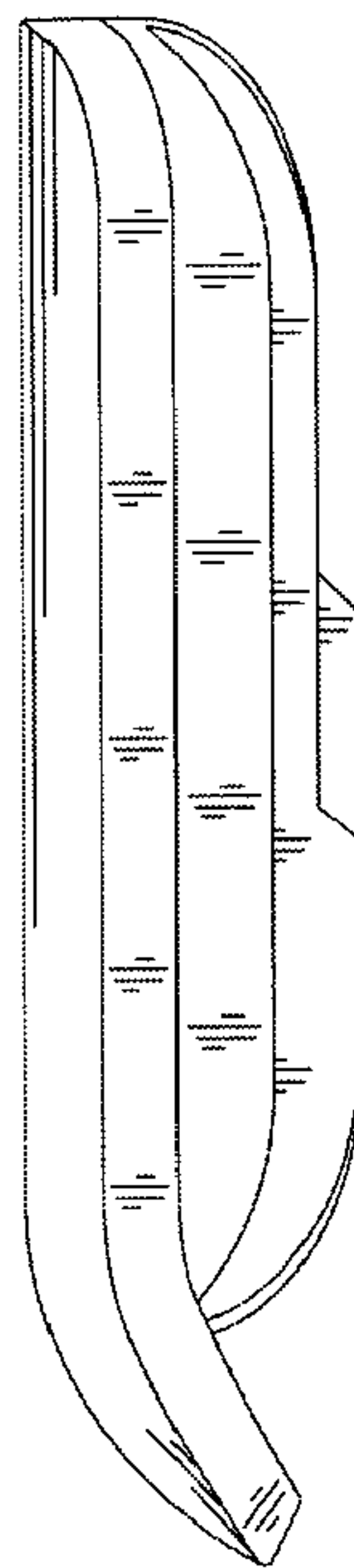


FIG. 4

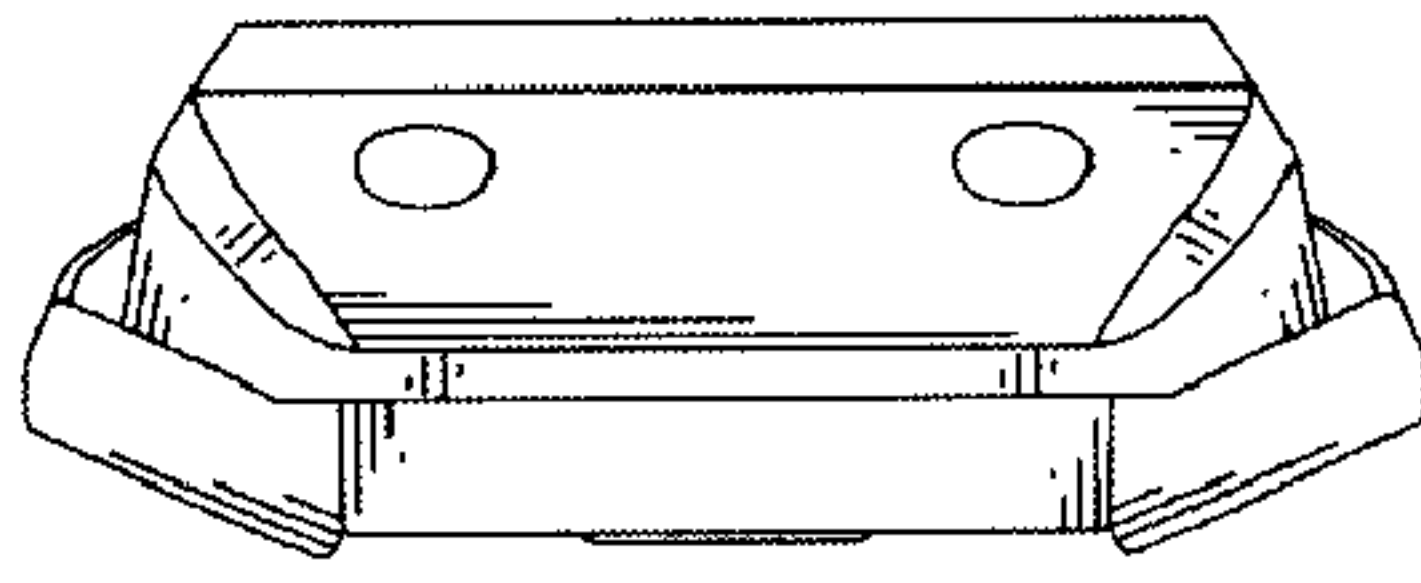


FIG. 5

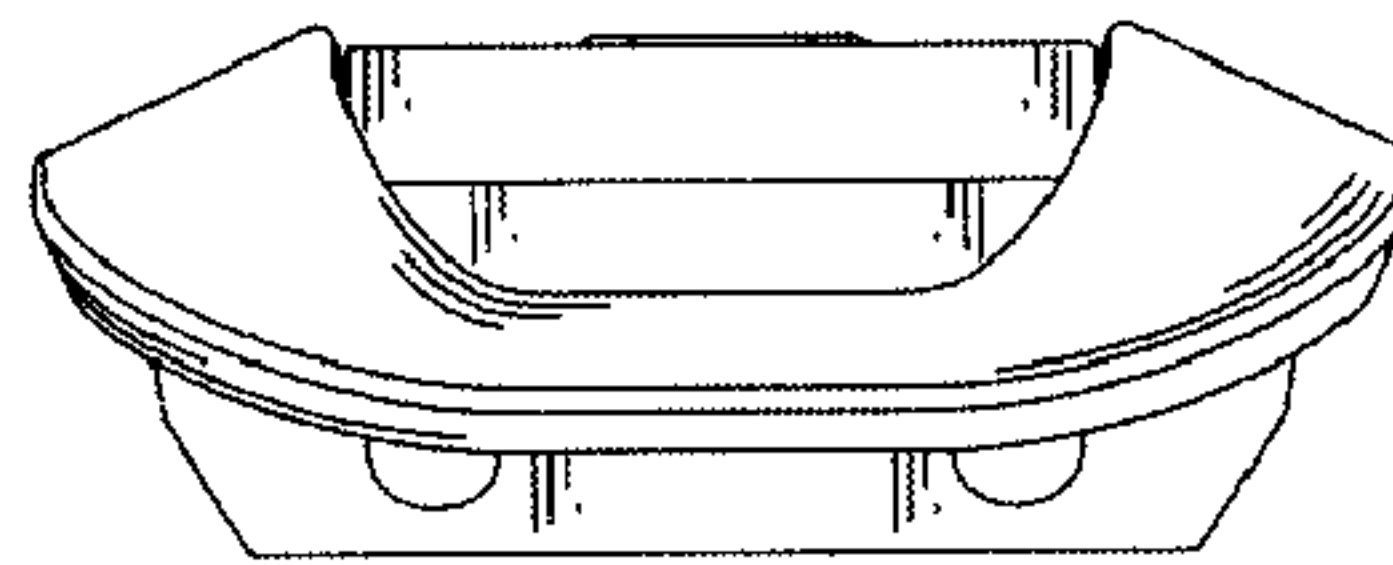


FIG. 6

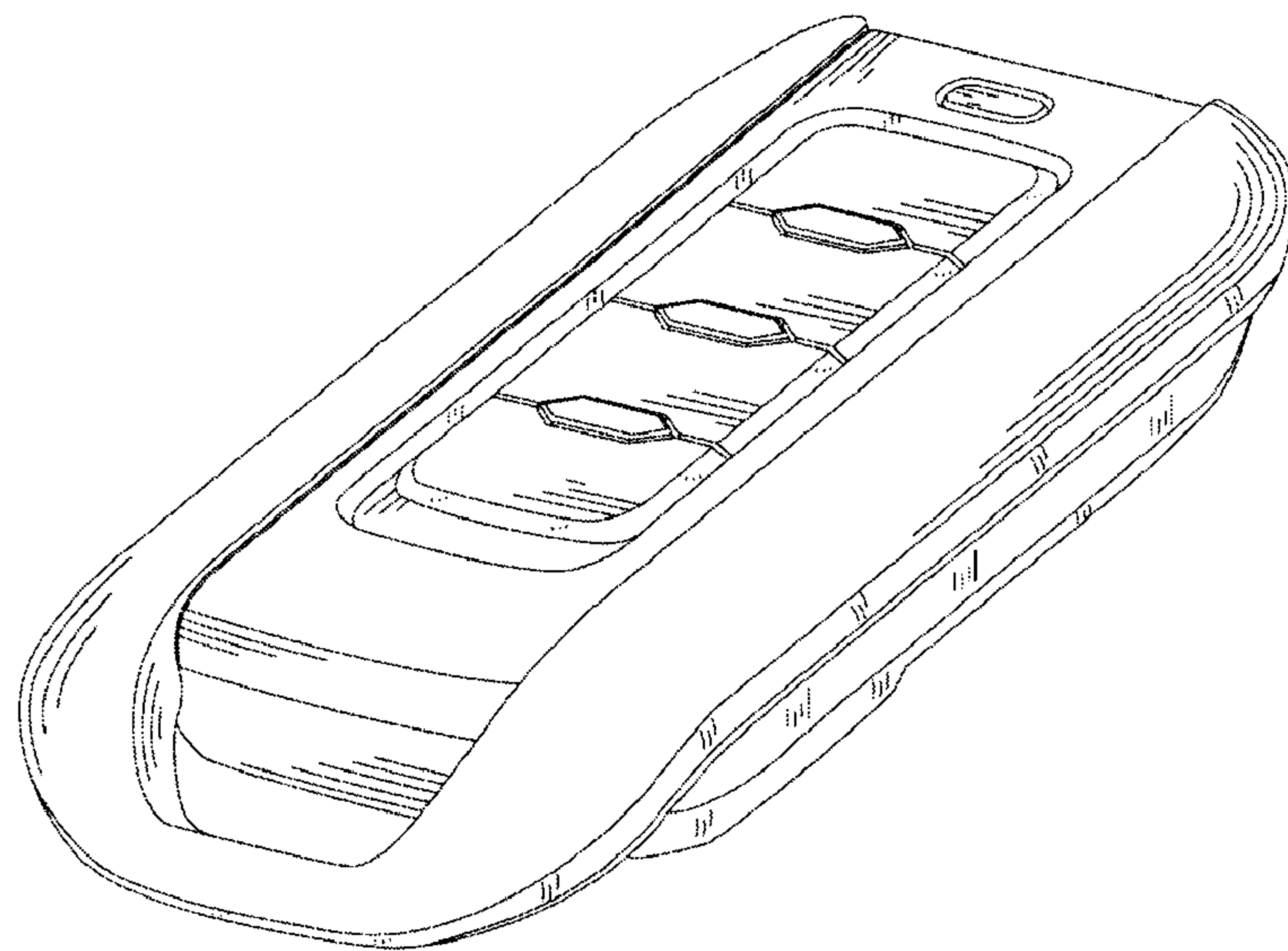


FIG. 7