

US00D528506S

(12) **United States Design Patent**
Taguchi

(10) **Patent No.:** **US D528,506 S**
(45) **Date of Patent:** **** Sep. 19, 2006**

- (54) **CONNECTOR**
- (75) Inventor: **Hiroyuki Taguchi**, Kanagawa (JP)
- (73) Assignee: **J.S.T. Mfg. Co., Ltd.**, Osaka (JP)
- (**) Term: **14 Years**
- (21) Appl. No.: **29/217,044**
- (22) Filed: **Nov. 15, 2004**
- (30) **Foreign Application Priority Data**

May 14, 2004 (JP) 2004-014305

- (51) **LOC (8) Cl.** **13-03**
- (52) **U.S. Cl.** **D13/133**
- (58) **Field of Classification Search** D13/123,
D13/133, 146-147, 154, 184, 199; 439/349,
439/675, 750, 842, 851, 889, 944, 948
See application file for complete search history.

(56) **References Cited**

U.S. PATENT DOCUMENTS

- 2,311,097 A * 2/1943 Sundholm 184/105.1
- 3,268,246 A * 8/1966 Obeissart 285/277
- 3,281,757 A * 10/1966 Bonhomme 439/349
- D239,175 S * 3/1976 Mouttet D13/133
- D298,931 S * 12/1988 Sekiguchi D13/147
- D312,813 S * 12/1990 Takizawa D13/133
- D313,790 S * 1/1991 Hirabayashi D13/133
- D317,293 S * 6/1991 Brisson D13/133
- D334,172 S * 3/1993 Wilcoxon D13/133
- 5,685,730 A * 11/1997 Cameron et al. 439/335
- D412,885 S * 8/1999 Toly D13/154
- D424,020 S * 5/2000 Fischer D13/146
- 2006/0063426 A1 * 3/2006 Khemakhem et al. 439/580

FOREIGN PATENT DOCUMENTS

- DE DM/052246 * 7/2000
- JP 191067 9/1992

- JP D1083127 S 8/2000
- JP D1083606 S 8/2000
- JP D1088016 S 10/2000
- JP D1108696 S 5/2001
- JP D115935 S 7/2001
- JP D1115934 S 7/2001
- JP D1134758 S 2/2002
- JP D1138436 S 4/2002
- JP D1138437 S 4/2002
- JP D1154431 S 9/2002
- JP D1167356 S 3/2003
- JP D1167521 S 3/2003
- JP D1182847 S 8/2003

OTHER PUBLICATIONS

Office Action, document No.: 29567, dated Aug. 31, 2005.

* cited by examiner

Primary Examiner—Stella Reid

Assistant Examiner—Daniel Bui

(74) *Attorney, Agent, or Firm*—Rader, Fishman & Grauer PLLC

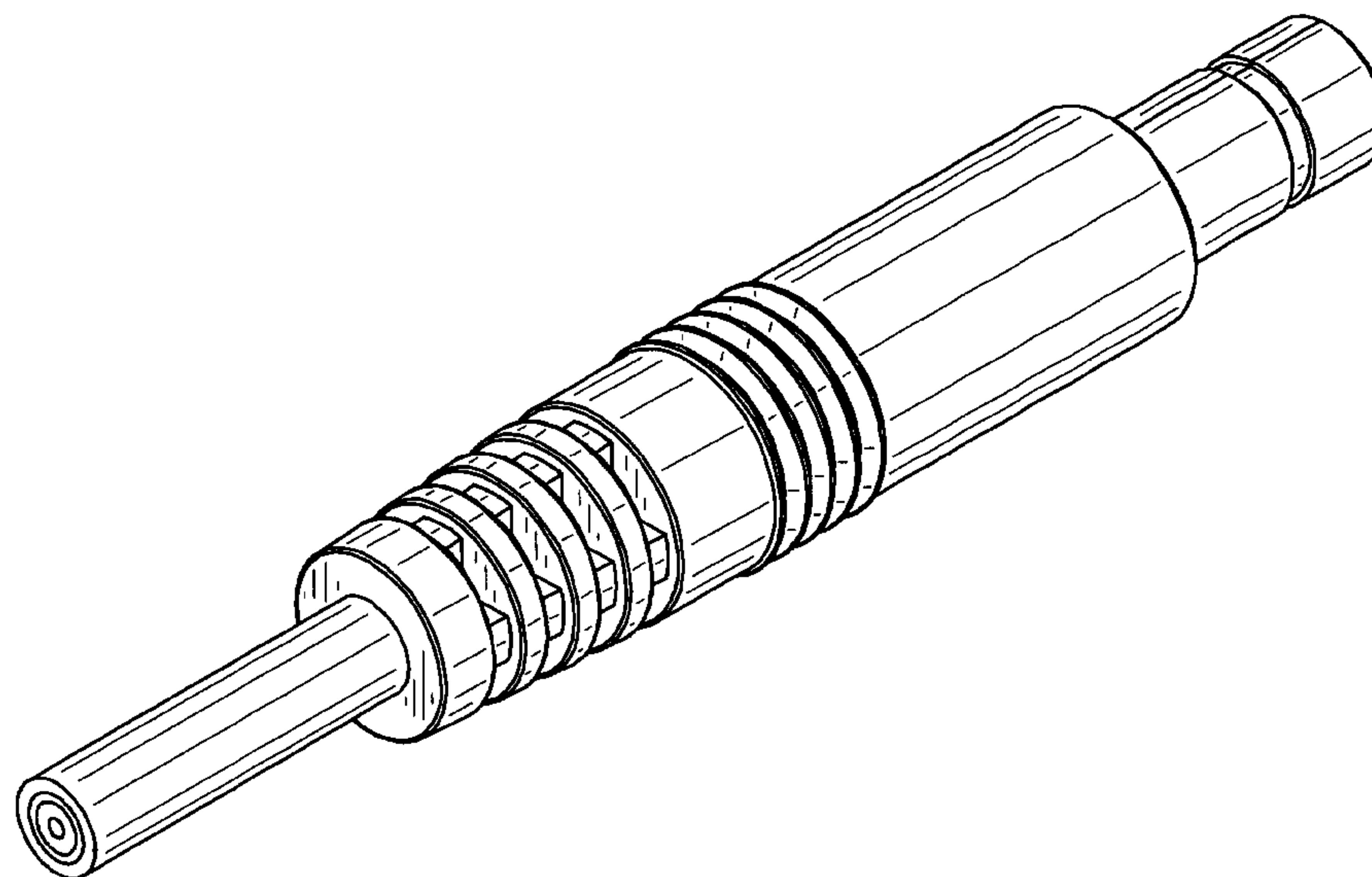
(57) **CLAIM**

The ornamental design for a connector, as shown.

DESCRIPTION

FIG. 1 is a front perspective view of a connector showing my new design;
 FIG. 2 is a rear perspective view thereof;
 FIG. 3 is a front elevational view thereof;
 FIG. 4 is a rear elevational view thereof;
 FIG. 5 is a top plan view thereof;
 FIG. 6 is a bottom plan view thereof;
 FIG. 7 is a right side elevational view thereof;
 FIG. 8 is a left side elevational view thereof;
 FIG. 9 is an enlarged right side elevational view thereof;
 and,
 FIG. 10 is an enlarged left side elevational view thereof.

1 Claim, 6 Drawing Sheets



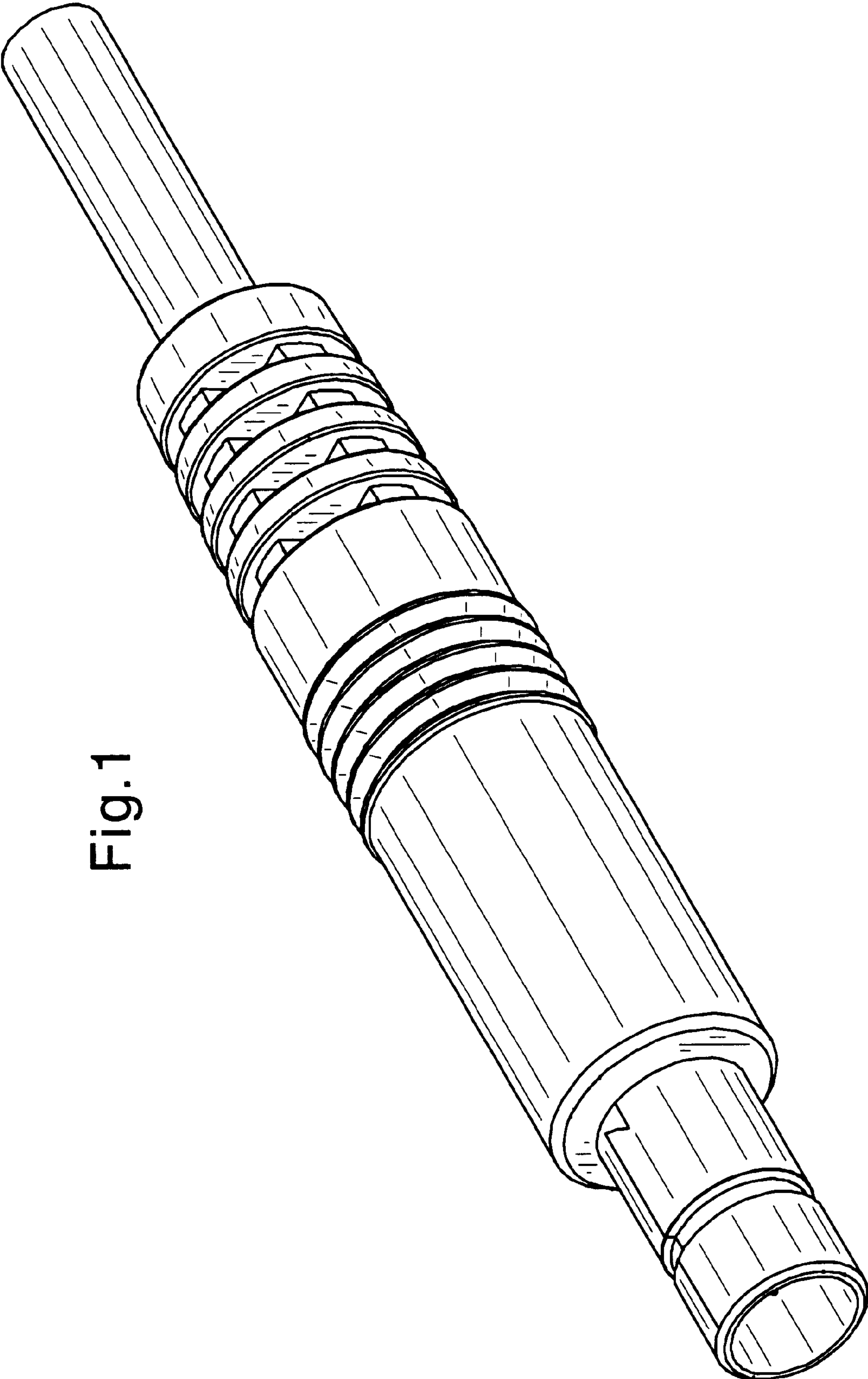


Fig.1

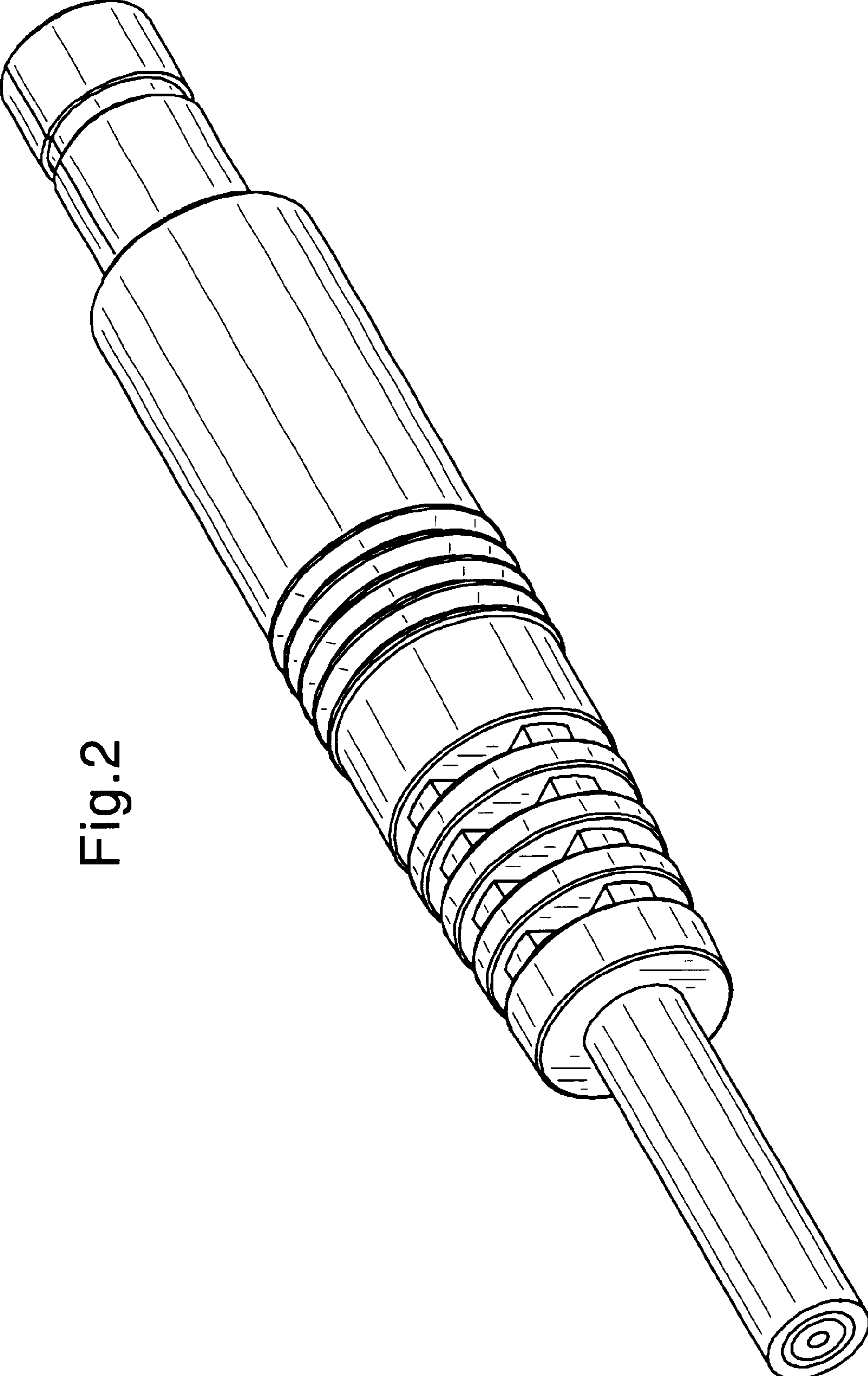


Fig.2

Fig.3

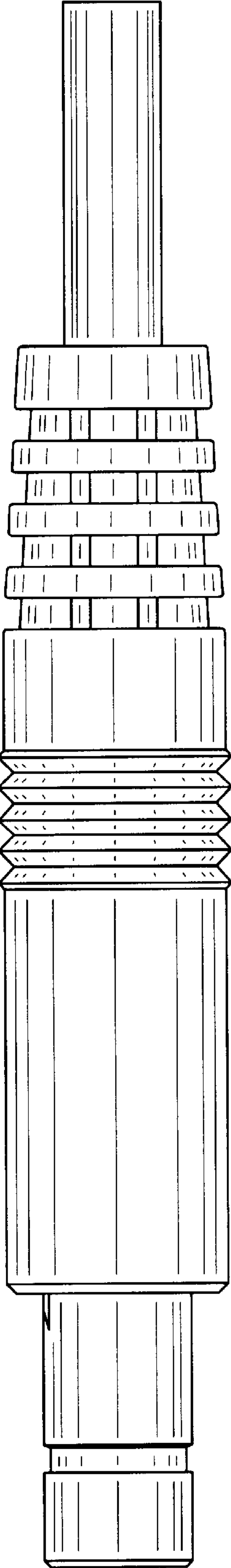


Fig.4

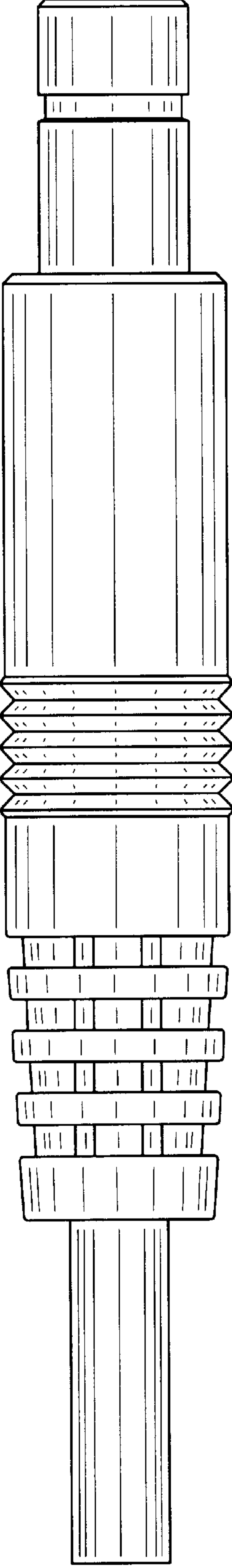


Fig.5

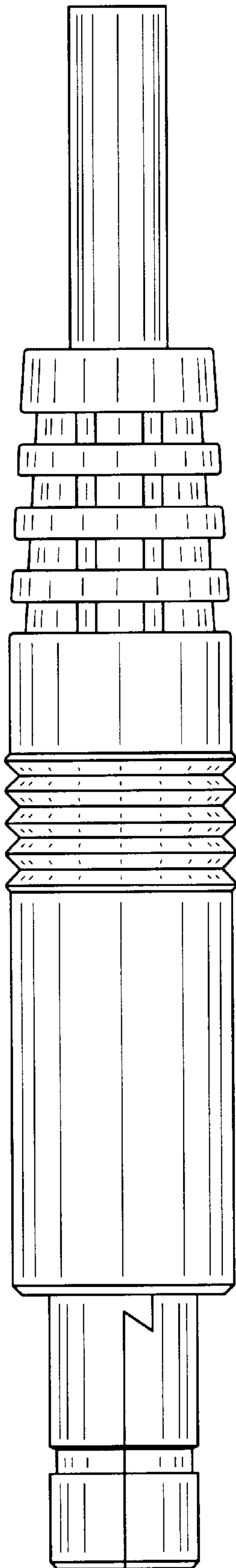


Fig.6

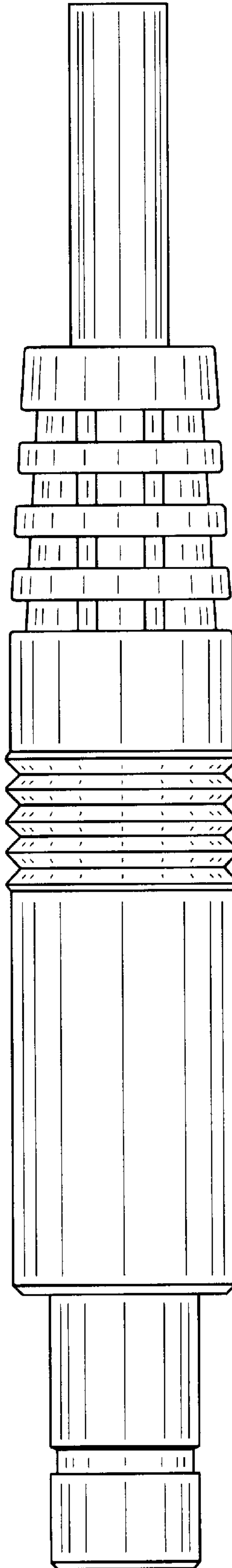


Fig.7

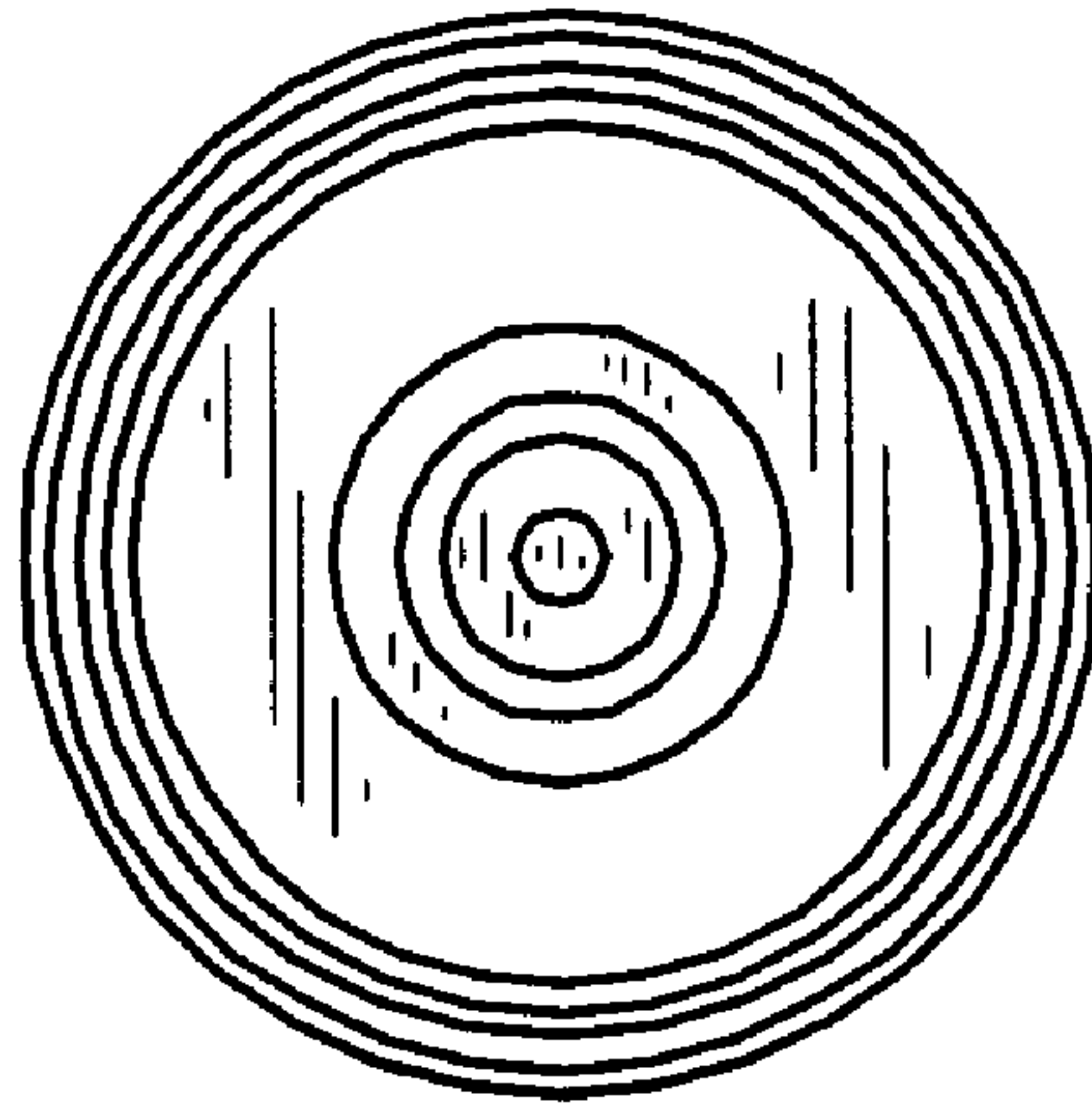


Fig.8

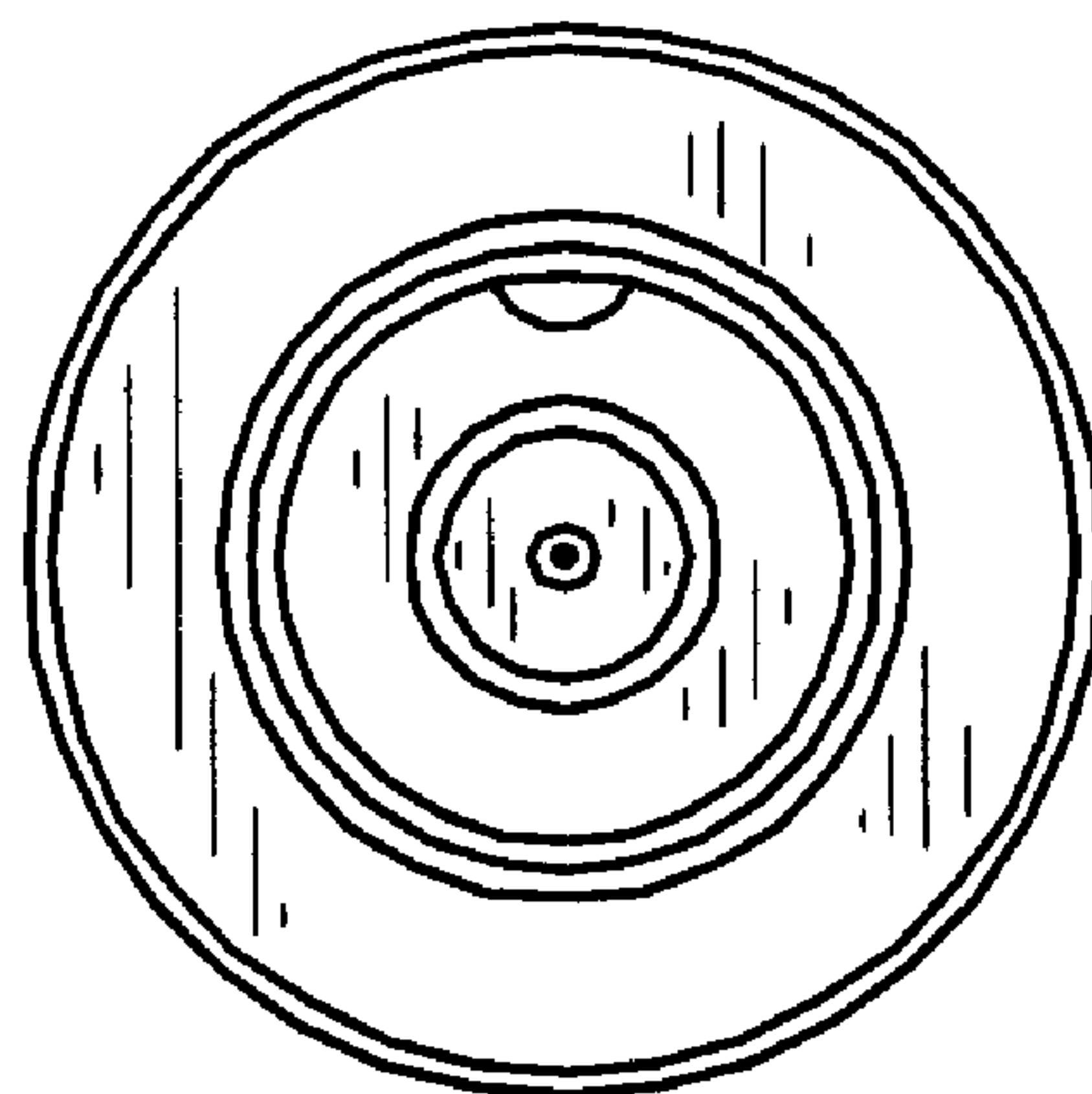


Fig.9

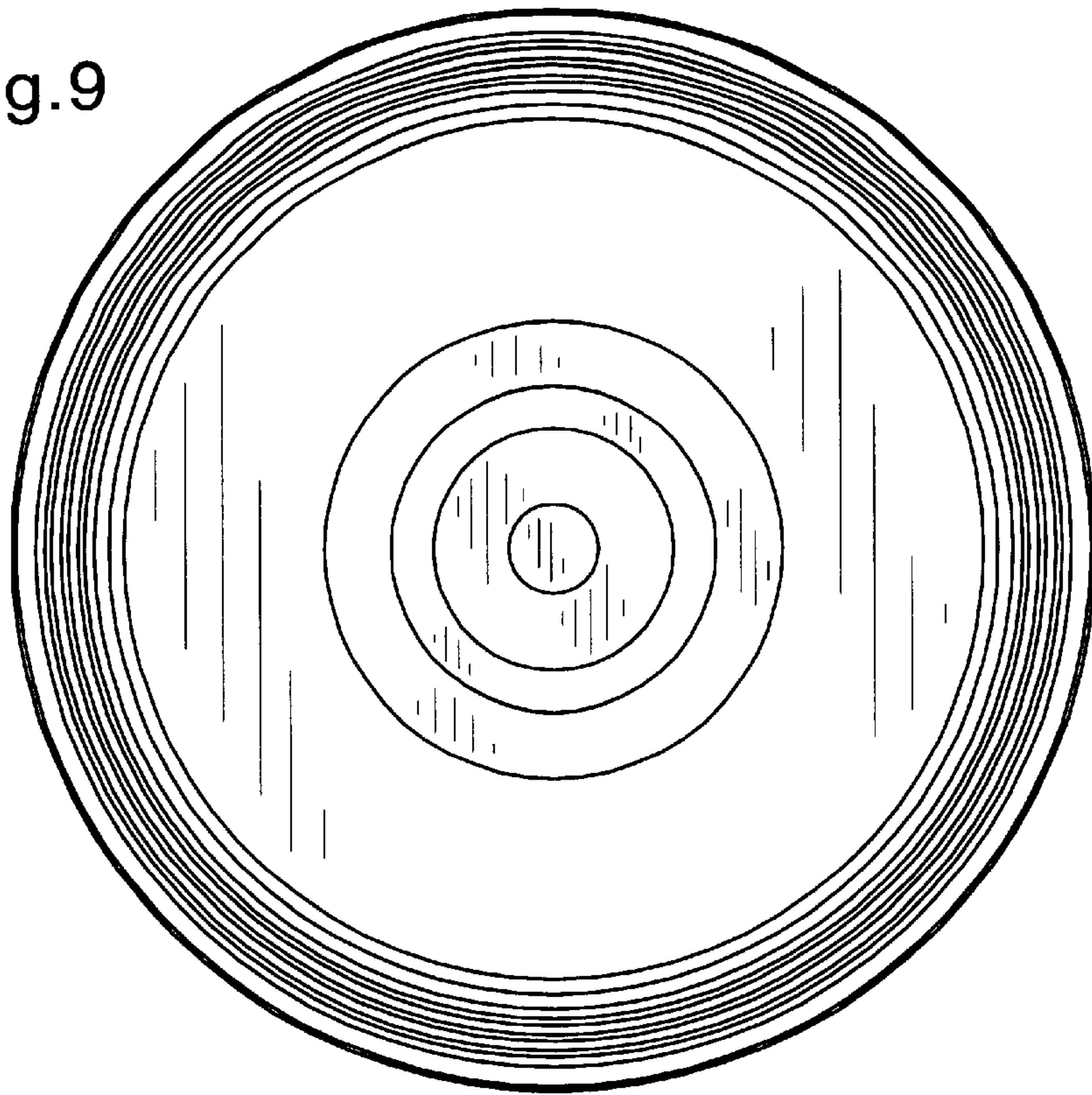


Fig.10

