

US00D528505S

(12) **United States Design Patent**
Caveney et al.

(10) **Patent No.:** **US D528,505 S**

(45) **Date of Patent:** **** Sep. 19, 2006**

(54) **FIBER OPTIC CONNECTOR**

(75) Inventors: **Jack E. Caveney**, Hinsdale, IL (US);
Samuel M. Marrs, Bradley, IL (US)

(73) Assignee: **Panduit Corp.**, Tinley Park, IL (US)

(**) Term: **14 Years**

(21) Appl. No.: **29/194,912**

(22) Filed: **Dec. 3, 2003**

(51) **LOC (8) Cl.** **13-03**

(52) **U.S. Cl.** **D13/133**

(58) **Field of Classification Search** D13/123,
D13/133; 385/56, 59-60, 70, 75-76, 78
See application file for complete search history.

(56) **References Cited**

U.S. PATENT DOCUMENTS

5,212,752 A	5/1993	Stephenson et al.	
5,293,581 A	3/1994	DiMarco	
5,390,269 A	2/1995	Palecek et al.	
5,394,497 A	2/1995	Erdman et al.	
5,436,995 A	7/1995	Yoshizawa et al.	
5,481,634 A	1/1996	Anderson et al.	
5,809,192 A	9/1998	Manning et al.	
5,883,995 A	3/1999	Lu	
6,019,521 A	2/2000	Manning et al.	
6,062,739 A	5/2000	Blake et al.	
6,102,581 A	8/2000	Deveau et al.	
D434,376 S	* 11/2000	Connelly	D13/133
6,155,146 A	12/2000	Andrews et al.	
RE37,080 E	3/2001	Stephenson et al.	
6,206,581 B1	3/2001	Driscoll et al.	
6,224,268 B1	5/2001	Manning et al.	
6,238,101 B1	5/2001	Chen et al.	
6,254,278 B1	7/2001	Andrews et al.	
D446,501 S	* 8/2001	Donnell et al.	D13/133
6,287,018 B1	9/2001	Andrews et al.	
6,293,710 B1	9/2001	Lampert et al.	
6,318,903 B1	11/2001	Andrews et al.	

6,325,547 B1	12/2001	Cammons et al.	
6,357,934 B1	* 3/2002	Driscoll et al.	385/86
6,428,215 B1	8/2002	Nault	
6,464,402 B1	10/2002	Andrews et al.	
6,471,416 B1	* 10/2002	Lu	385/60
D474,743 S	* 5/2003	Cheng	D13/133
6,629,782 B1	10/2003	McPhee et al.	
D481,680 S	* 11/2003	Cheng et al.	D13/133
6,913,396 B1	* 7/2005	Nelson	385/78
6,918,704 B1	* 7/2005	Marrs et al.	385/78
2003/0031447 A1	2/2003	Nault	
2003/0142919 A1	* 7/2003	Zimmel	385/78
2005/0084215 A1	* 4/2005	Grzegorzewska et al.	385/60
2005/0213897 A1	* 9/2005	Palmer et al.	385/95

* cited by examiner

Primary Examiner—Stella Reid

Assistant Examiner—Daniel Bui

(74) *Attorney, Agent, or Firm*—Robert A. McCann;
Christopher S. Clancy

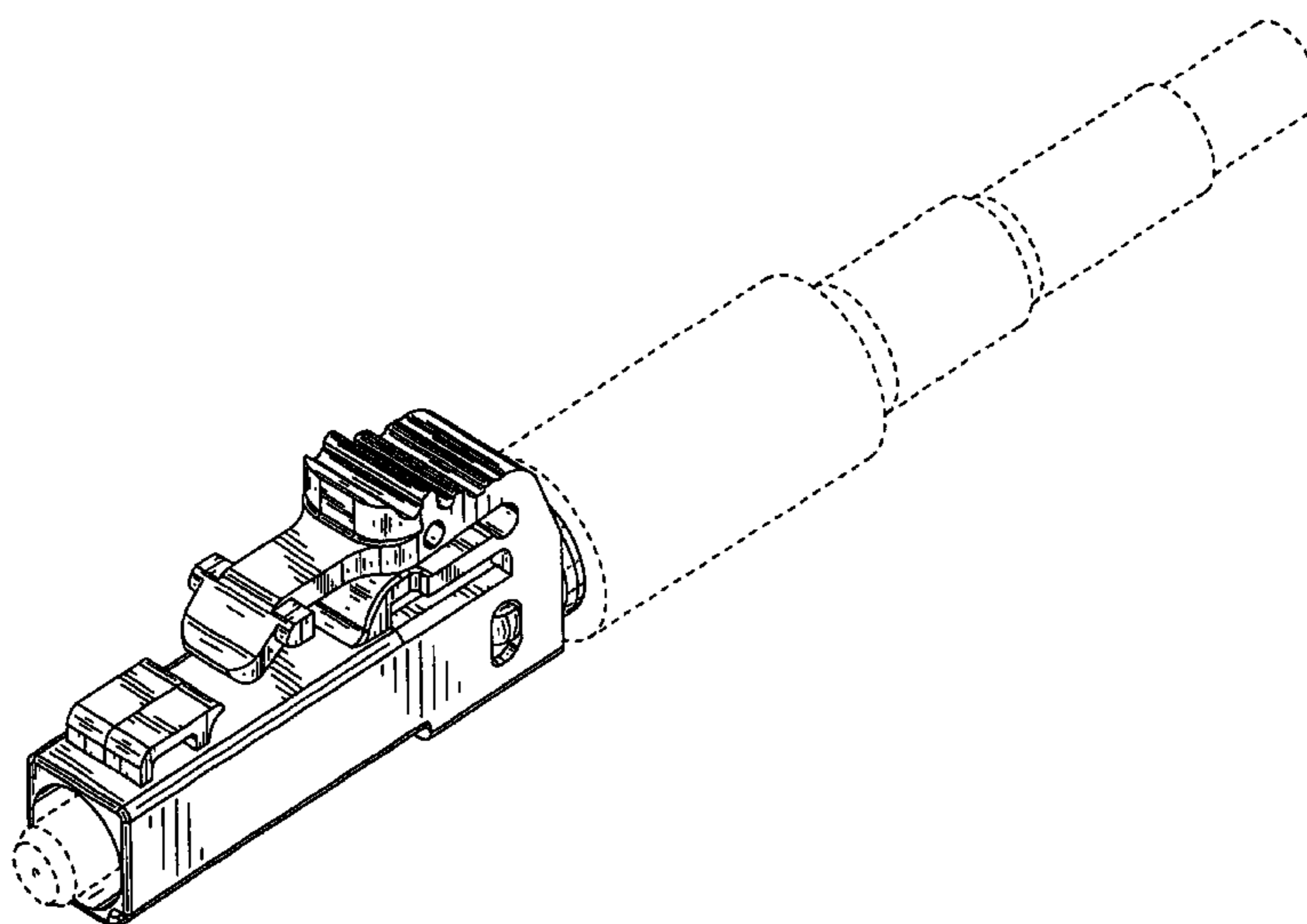
(57) **CLAIM**

The ornamental design for a fiber optic connector, as shown and described.

DESCRIPTION

FIG. 1 is a top right front perspective view of a fiber optic connector on an enlarged scale showing our new design; FIG. 2 is a top left front perspective view on an enlarged scale thereof; FIG. 3 is a right side view thereof; FIG. 4 is a left side view thereof; FIG. 5 is a front view thereof; FIG. 6 is a rear view thereof; FIG. 7 is a top view thereof; and, FIG. 8 is a bottom view thereof. The broken line showing of environmental structure is for illustrative purposes only and forms no part of the claimed design.

1 Claim, 5 Drawing Sheets



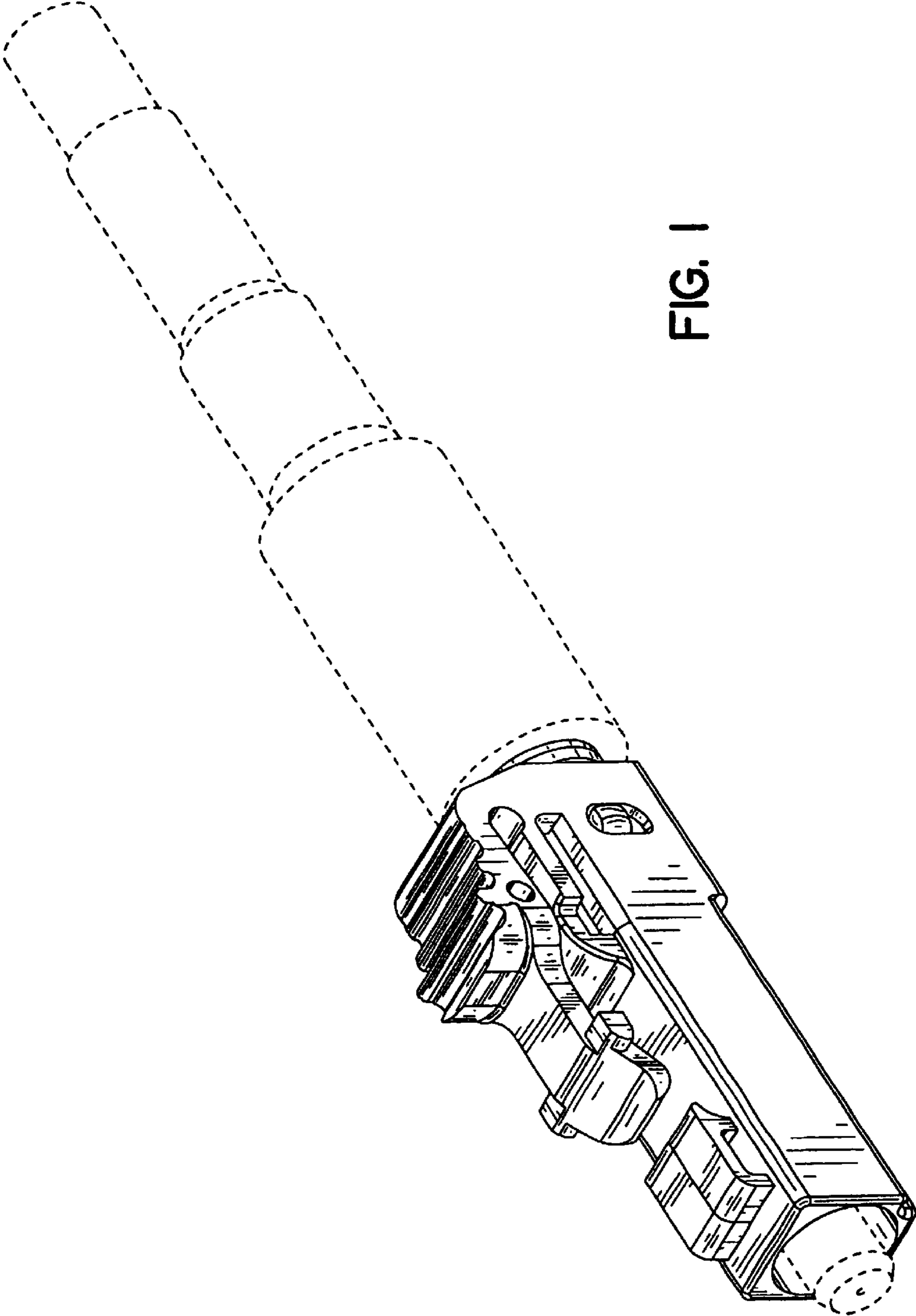


FIG. 1

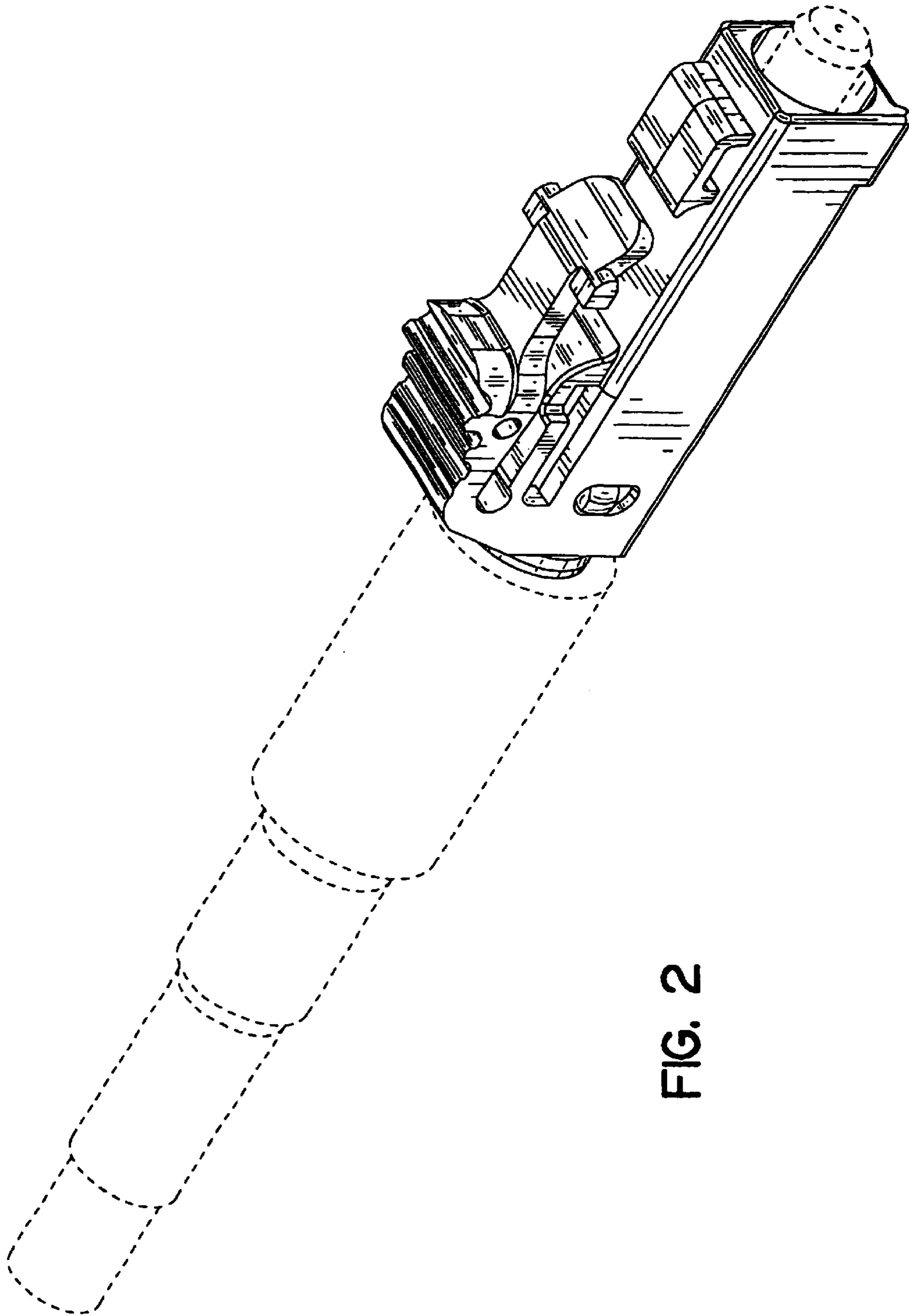


FIG. 2

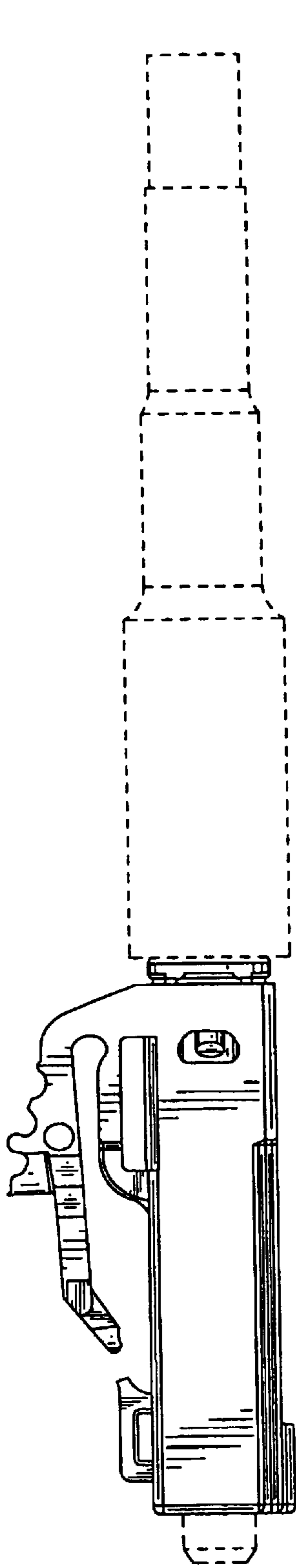


FIG. 3

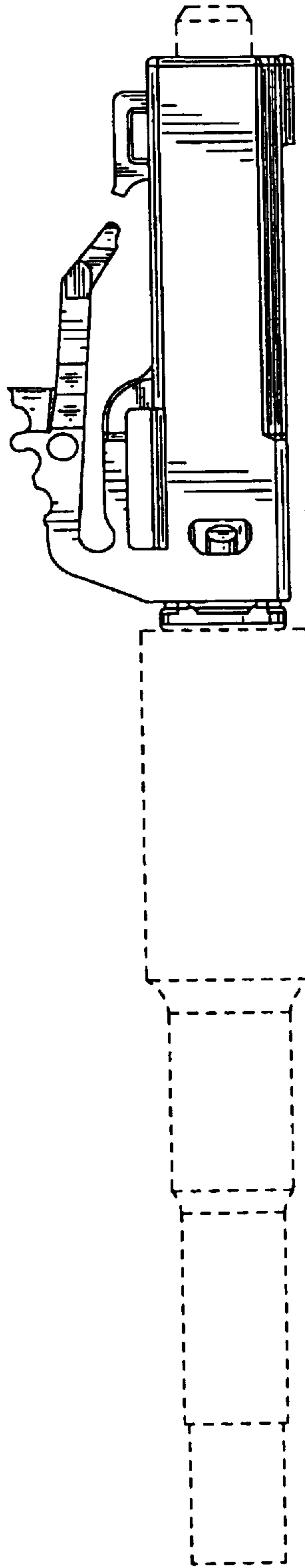


FIG. 4

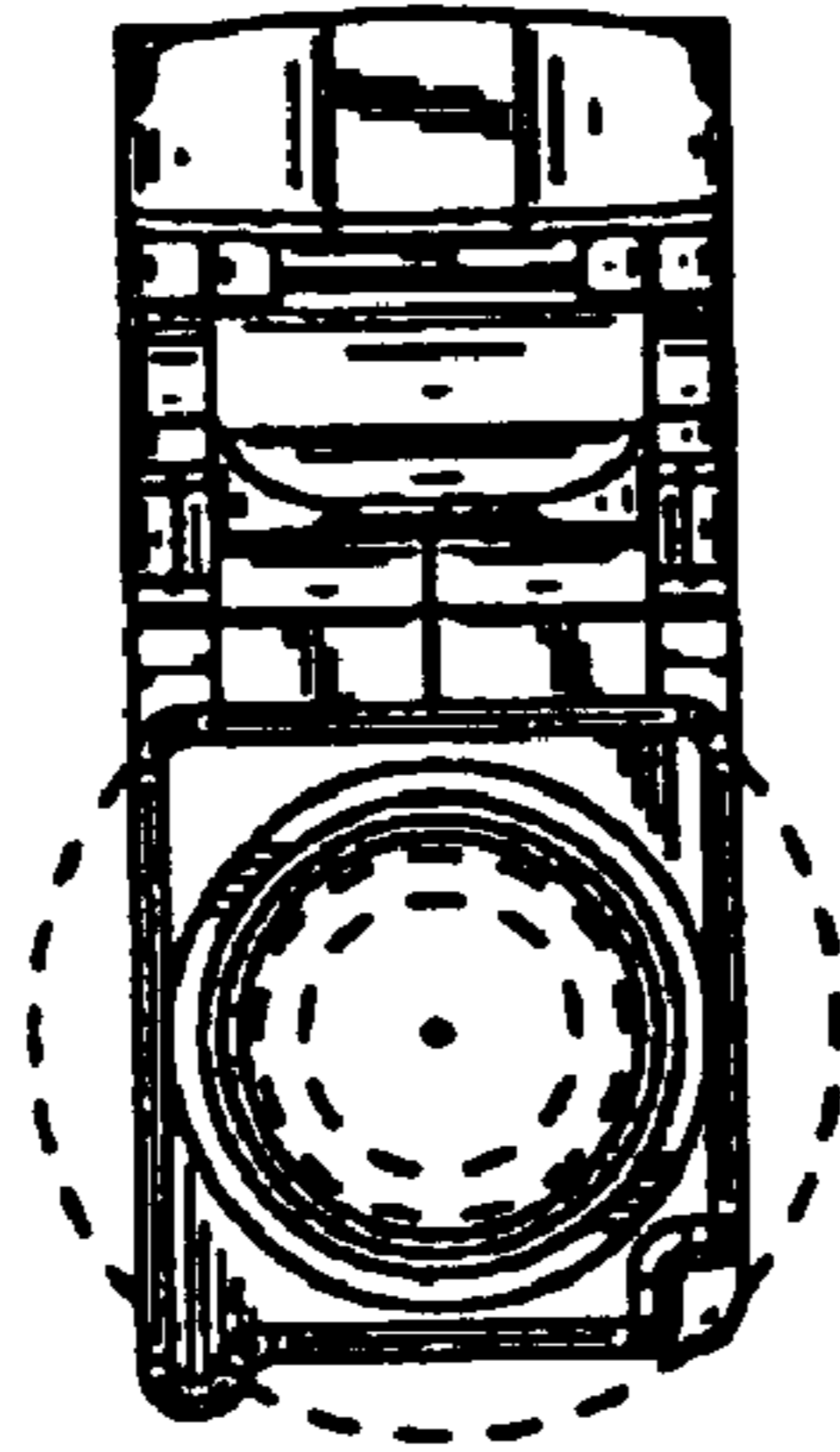


FIG. 5

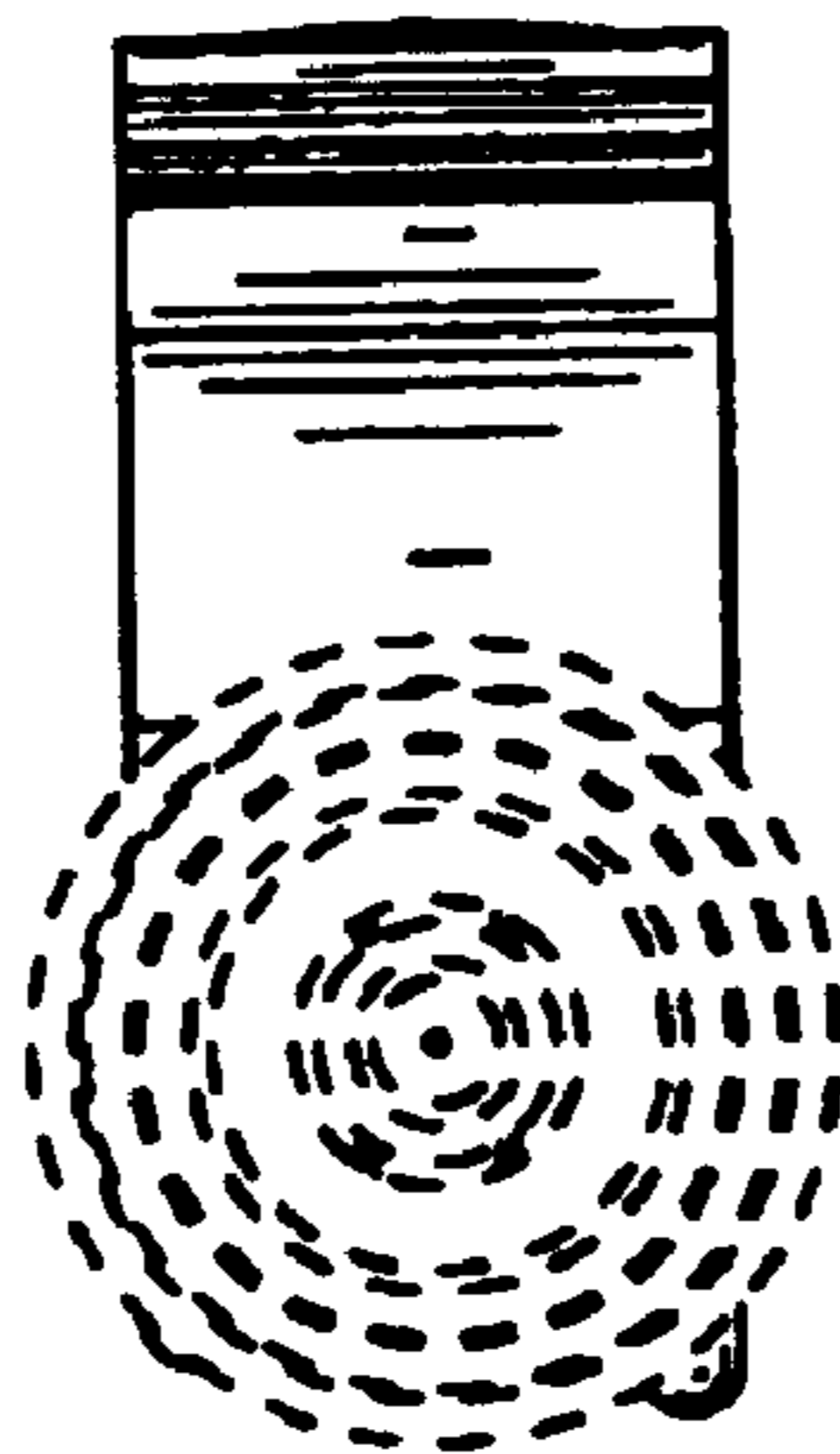


FIG. 6

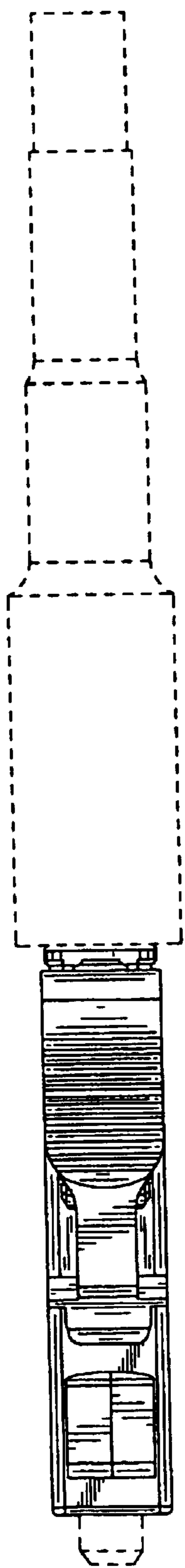


FIG. 7

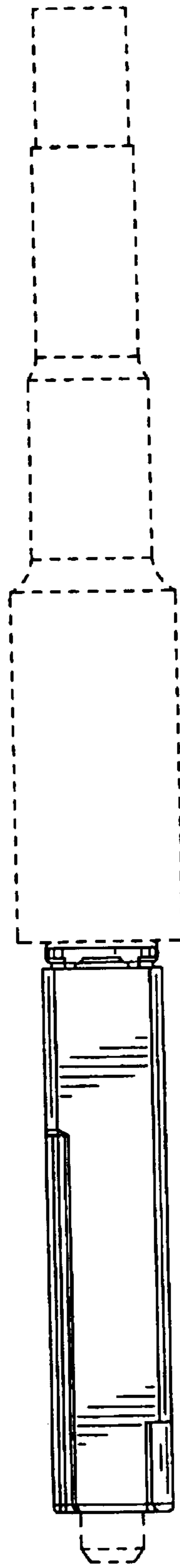


FIG. 8