



US00D528504S

(12) **United States Design Patent**  
**Bobbin**

(10) **Patent No.:** **US D528,504 S**

(45) **Date of Patent:** **\*\* Sep. 19, 2006**

(54) **BATTERY HOUSING**

(76) Inventor: **Joseph Bobbin**, 104 Meadowcrest Dr.,  
Nanticoke, PA (US) 18634

(\*\*) Term: **14 Years**

(21) Appl. No.: **29/241,747**

(22) Filed: **Oct. 31, 2005**

(51) **LOC (8) Cl.** ..... **13-02**

(52) **U.S. Cl.** ..... **D13/103**

(58) **Field of Classification Search** ..... D13/102-106,  
D13/110, 118-119, 184; 429/96-100, 163,  
429/176

See application file for complete search history.

(56) **References Cited**

**U.S. PATENT DOCUMENTS**

D252,354 S	*	7/1979	Uyeda	.....	D3/302
D264,962 S	*	6/1982	Fellmann	.....	D13/110
4,469,765 A	*	9/1984	McCartney et al.	.....	429/123
D283,888 S	*	5/1986	Claxton et al.	.....	D13/103
D403,661 S	*	1/1999	Mariani	.....	D13/106
6,007,940 A	*	12/1999	Spotnitz	.....	429/99
D419,137 S	*	1/2000	Gaffney et al.	.....	D13/103
6,106,971 A	*	8/2000	Spotnitz	.....	429/98
6,529,372 B1	*	3/2003	Ng et al.	.....	361/683

D494,541 S	*	8/2004	Hriscu et al.	.....	D13/110
D495,994 S	*	9/2004	Arakelian	.....	D13/119

\* cited by examiner

*Primary Examiner*—Alan P. Douglas  
*Assistant Examiner*—Rosemary K. Tarcza

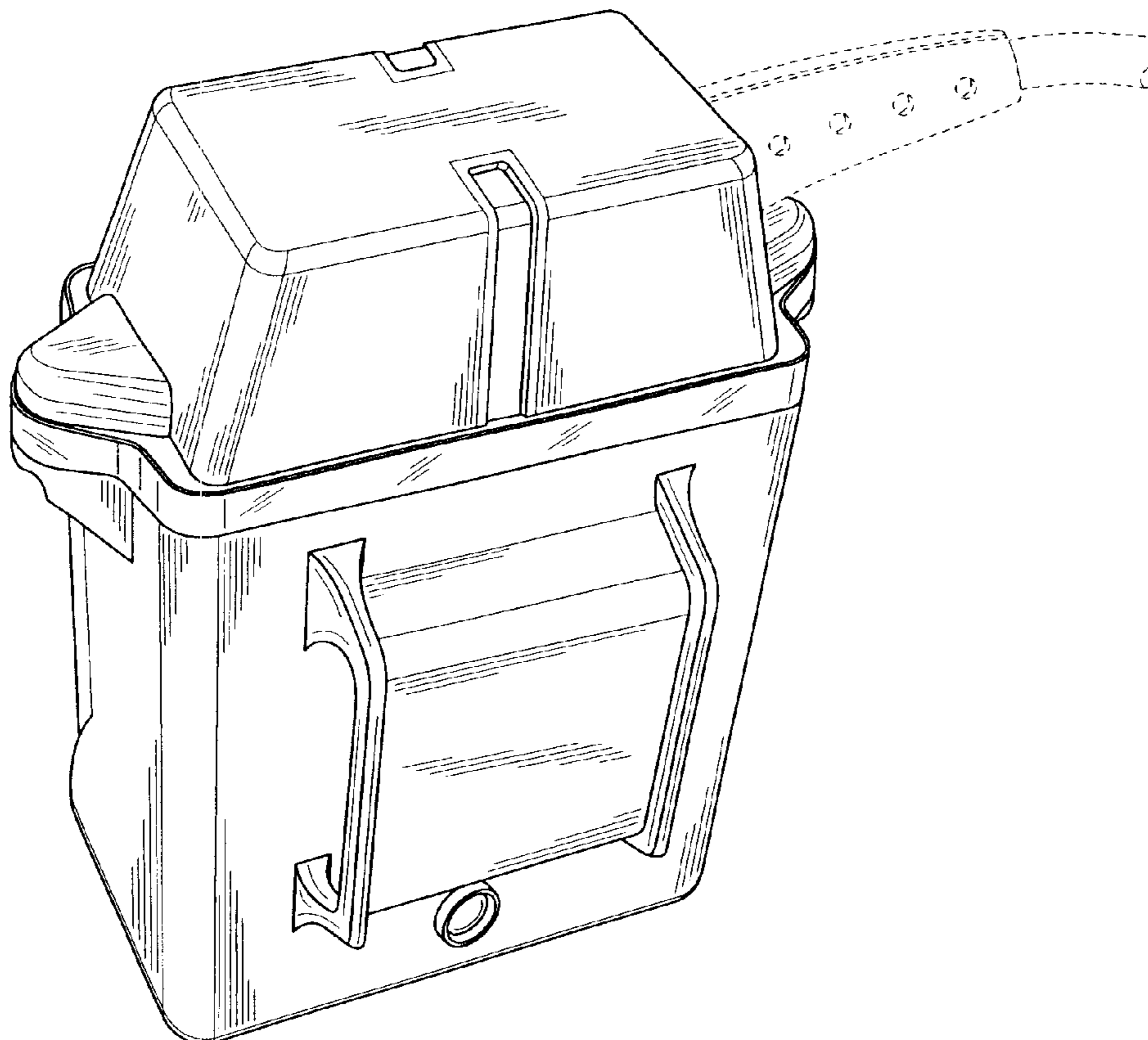
(57) **CLAIM**

The ornamental design for a battery housing, substantially as shown and described.

**DESCRIPTION**

FIG. 1 is a perspective view of a battery housing according to the invention;  
 FIG. 2 is a front elevational view of a battery housing according the invention;  
 FIG. 3 is a rear elevational view of a battery housing according to the invention;  
 FIG. 4 is a left side elevational view of a battery housing according to the invention;  
 FIG. 5 is a right side elevational view of a battery housing according to the invention;  
 FIG. 6 is a top plan view of a battery housing according to the invention; and,  
 FIG. 7 is a bottom plan view of a battery housing according to the invention.

**1 Claim, 4 Drawing Sheets**



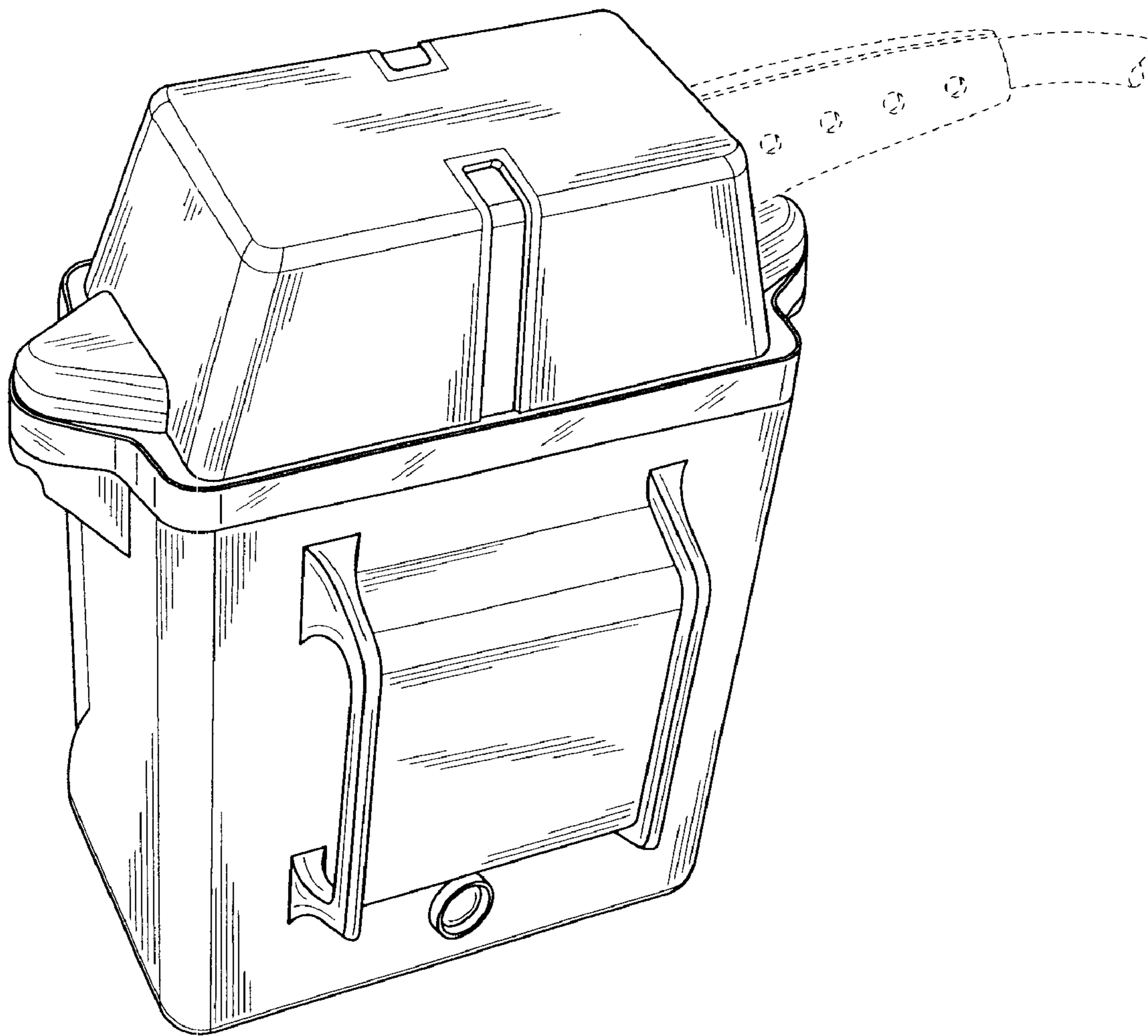


FIG. 1

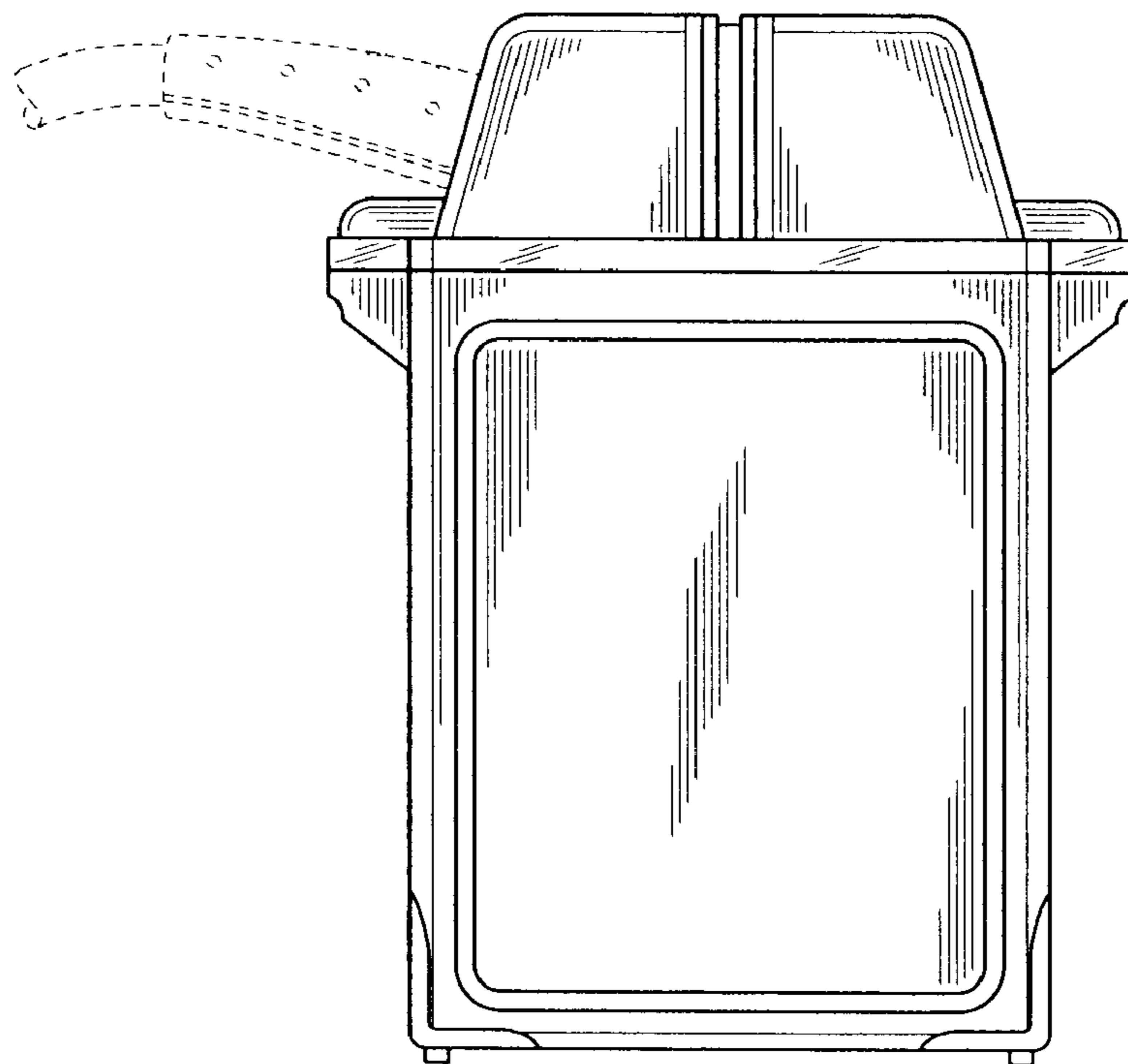


FIG. 2

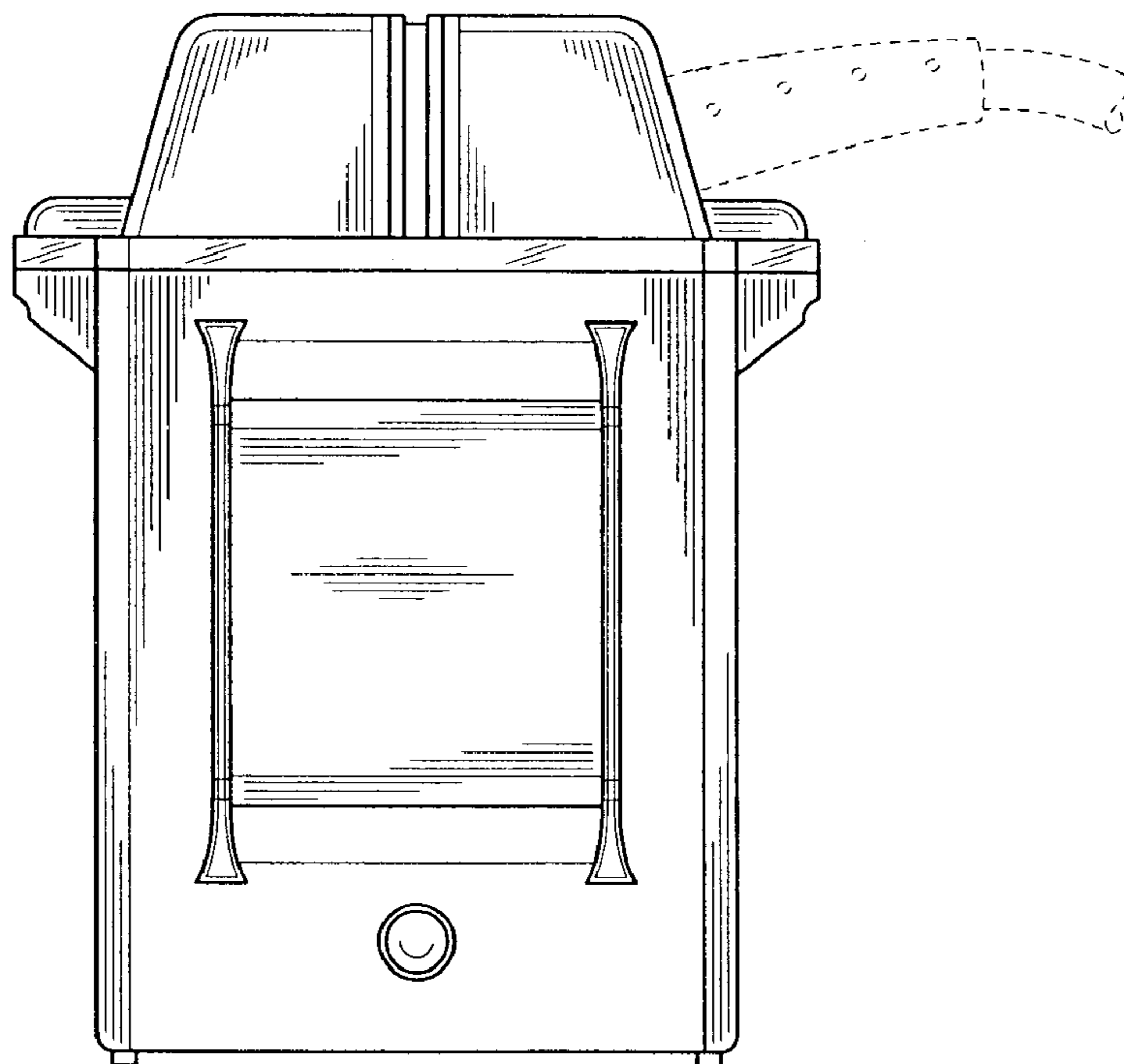


FIG. 3

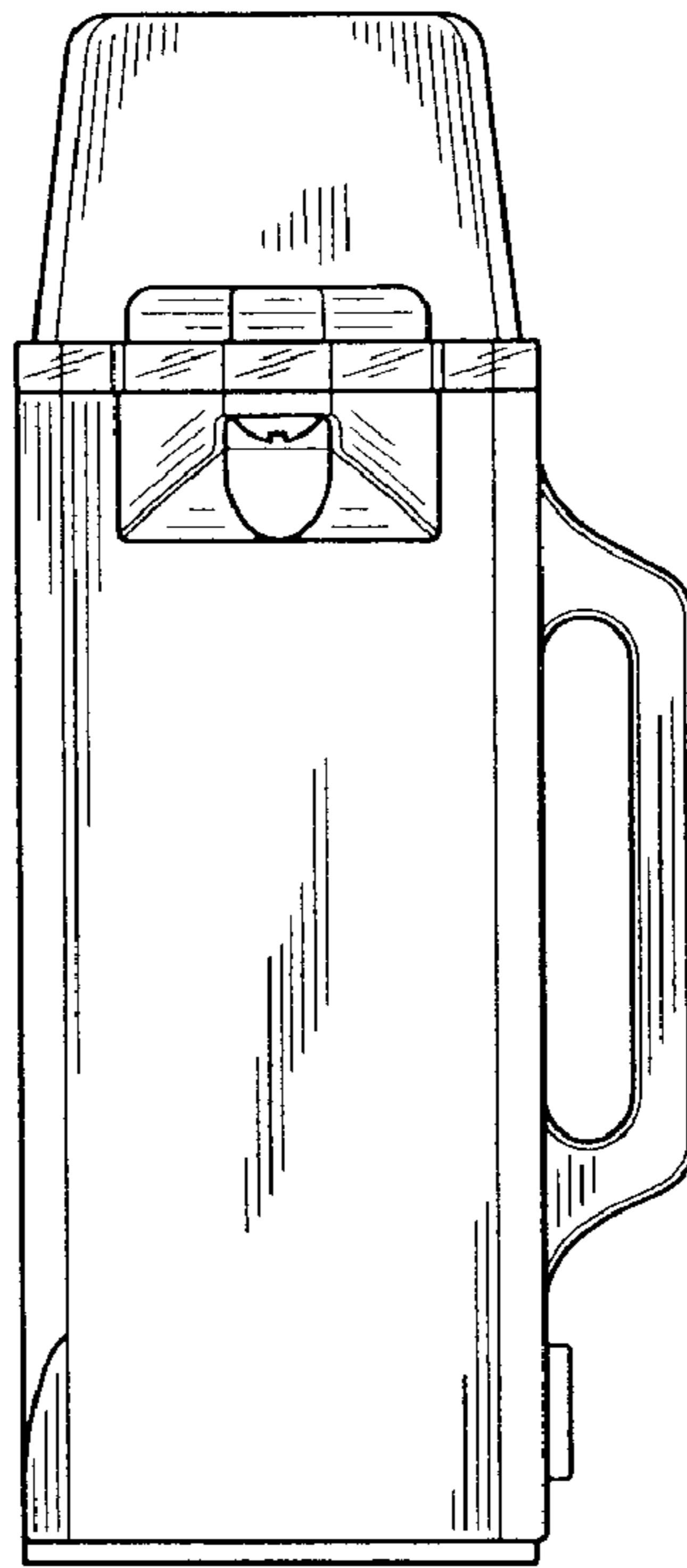


FIG. 4

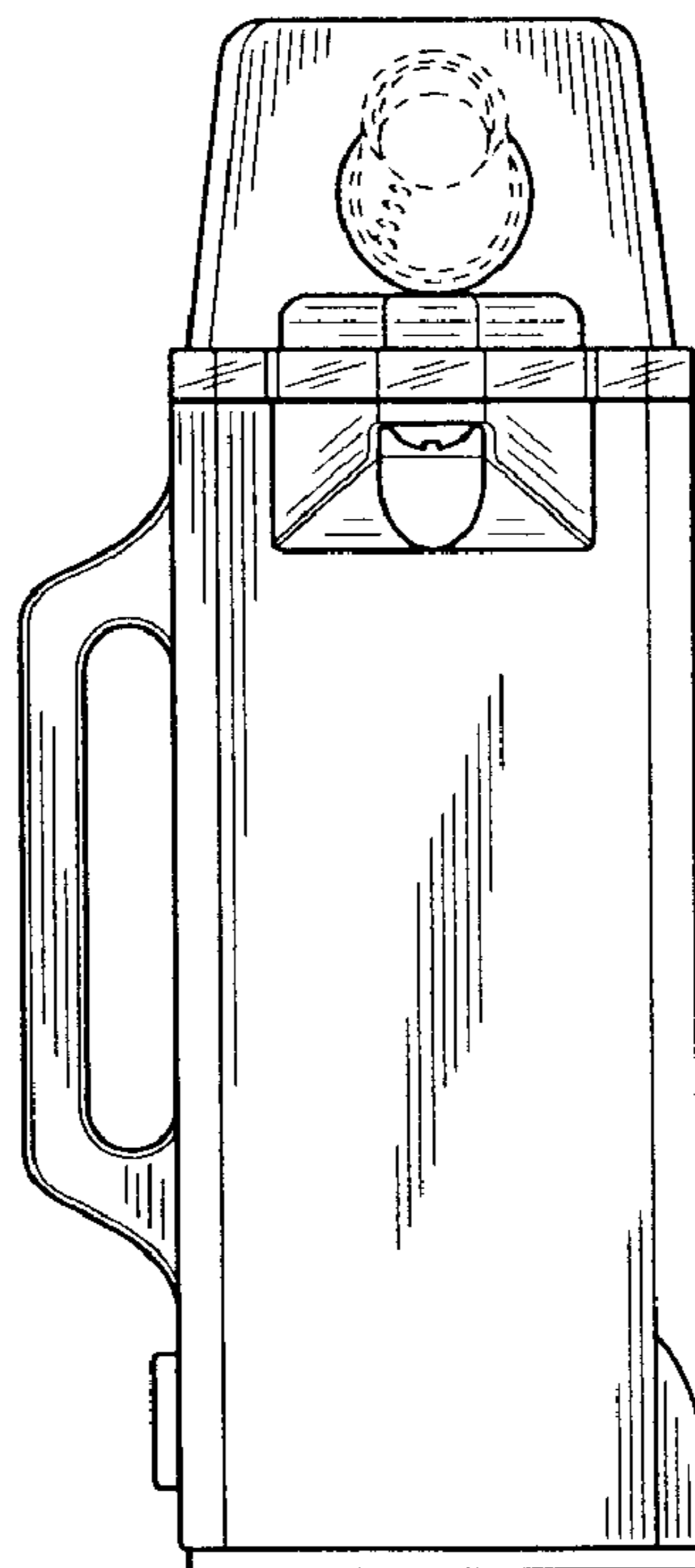


FIG. 5

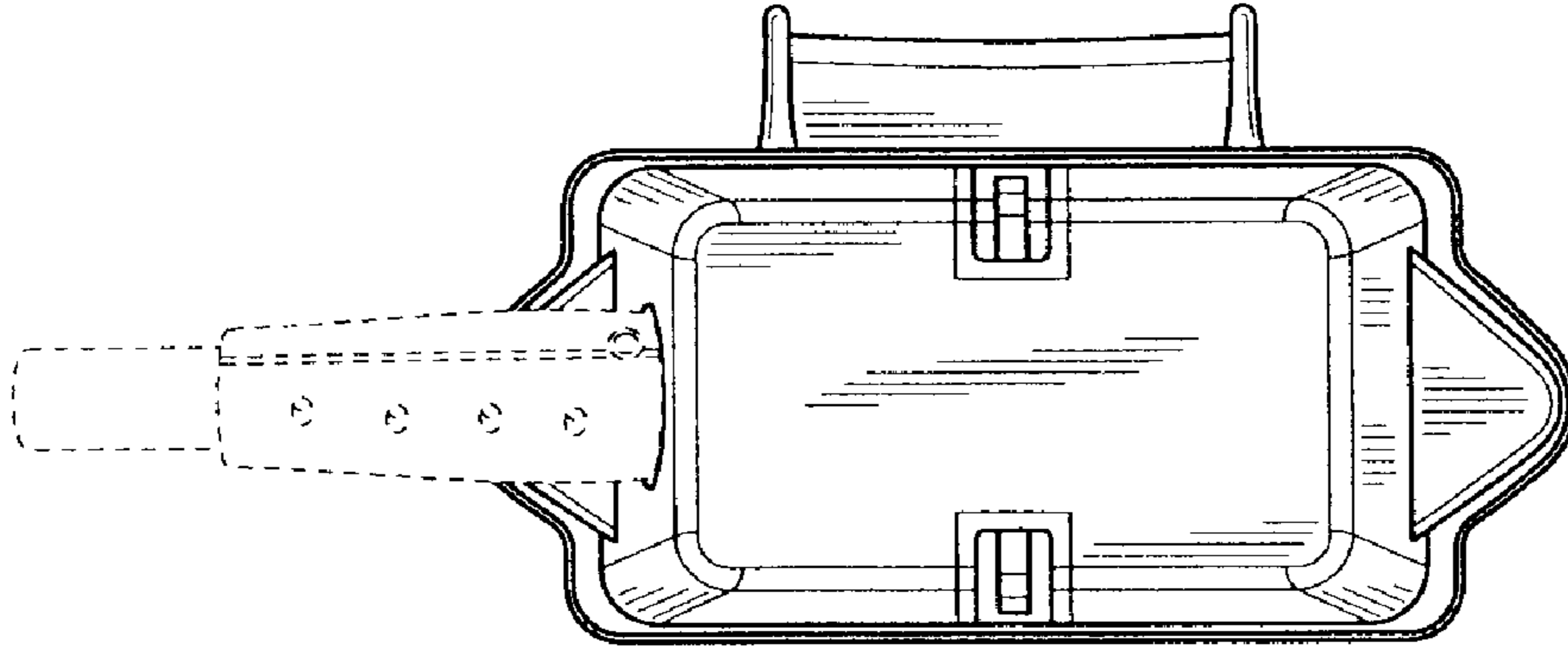


FIG. 6

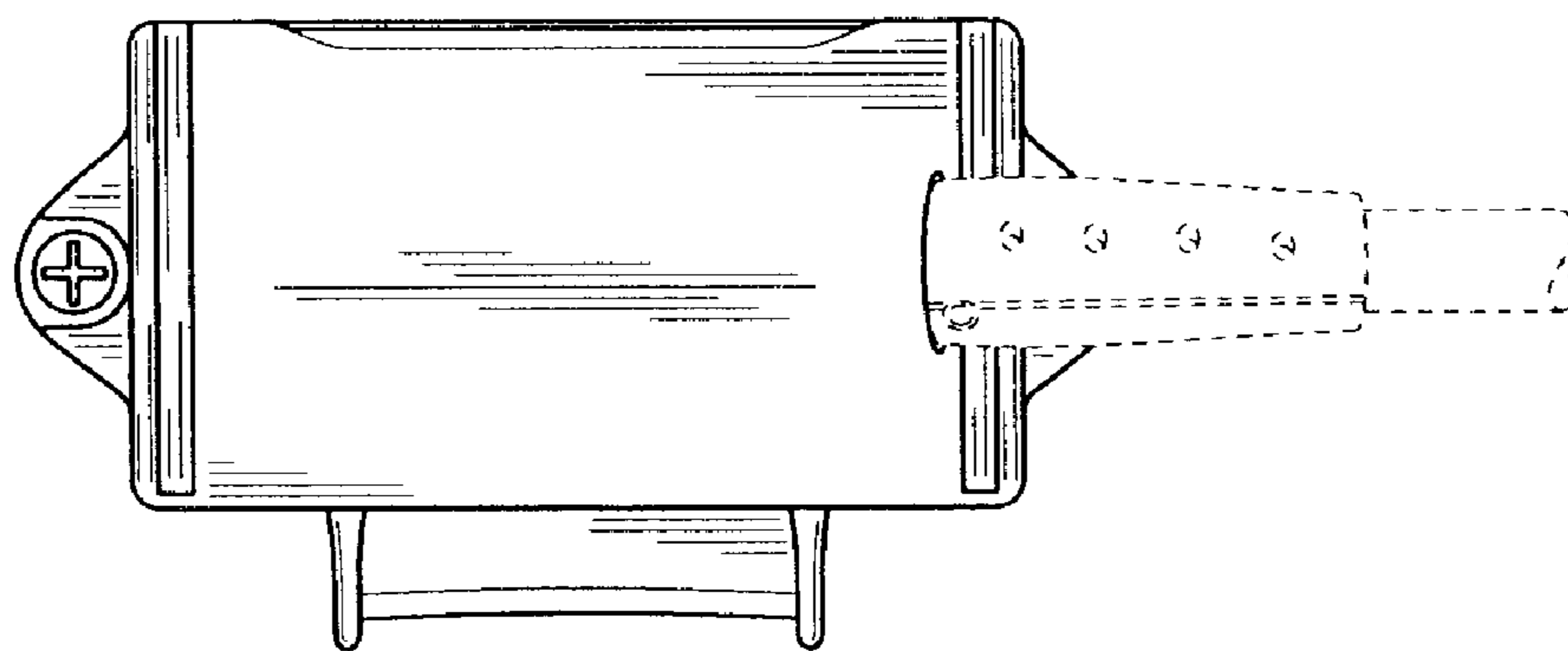


FIG. 7