



US00D528502S

(12) **United States Design Patent**
Fleetwood

(10) **Patent No.:** **US D528,502 S**

(45) **Date of Patent:** **** Sep. 19, 2006**

(54) **BATTERY MODULE**

(75) Inventor: **Stephen W. Fleetwood**, Knoxville, TN
(US)

(73) Assignee: **Radio Systems Corporation**,
Knoxville, TN (US)

(**) Term: **14 Years**

(21) Appl. No.: **29/232,175**

(22) Filed: **Jun. 15, 2005**

(51) **LOC (8) Cl.** **13-02**

(52) **U.S. Cl.** **D13/103**

(58) **Field of Classification Search** D13/102-106,
D13/110, 118-119, 184; 429/96-100, 163,
429/176

See application file for complete search history.

(56) **References Cited**

U.S. PATENT DOCUMENTS

D106,163 S	*	9/1937	Williams	D13/103
D118,597 S	*	1/1940	Knauss	D13/103
3,829,332 A	*	8/1974	Lizuka et al.	429/97
D263,581 S	*	3/1982	Kaye	D13/103
5,445,900 A		8/1995	Miller et al.		
D425,478 S	*	5/2000	Buckle	D13/103

D425,855 S	*	5/2000	Buckle	D13/103
D426,189 S	*	6/2000	Buckle	D13/103
D426,516 S	*	6/2000	Buckle	D13/103
D426,517 S	*	6/2000	Buckle	D13/103
D427,144 S	*	6/2000	Buckle	D13/103
D439,561 S	*	3/2001	Lee et al.	D13/103
D476,617 S	*	7/2003	Kasahara et al.	D13/103
D515,027 S	*	2/2006	Groh et al.	D13/103

* cited by examiner

Primary Examiner—Alan P. Douglas

Assistant Examiner—Rosemary K. Tarcza

(74) *Attorney, Agent, or Firm*—Pitts & Brittan, P.C.

(57) **CLAIM**

The ornamental design for a battery module, as shown and described.

DESCRIPTION

FIG. 1 is a perspective view of a battery module of the present invention;

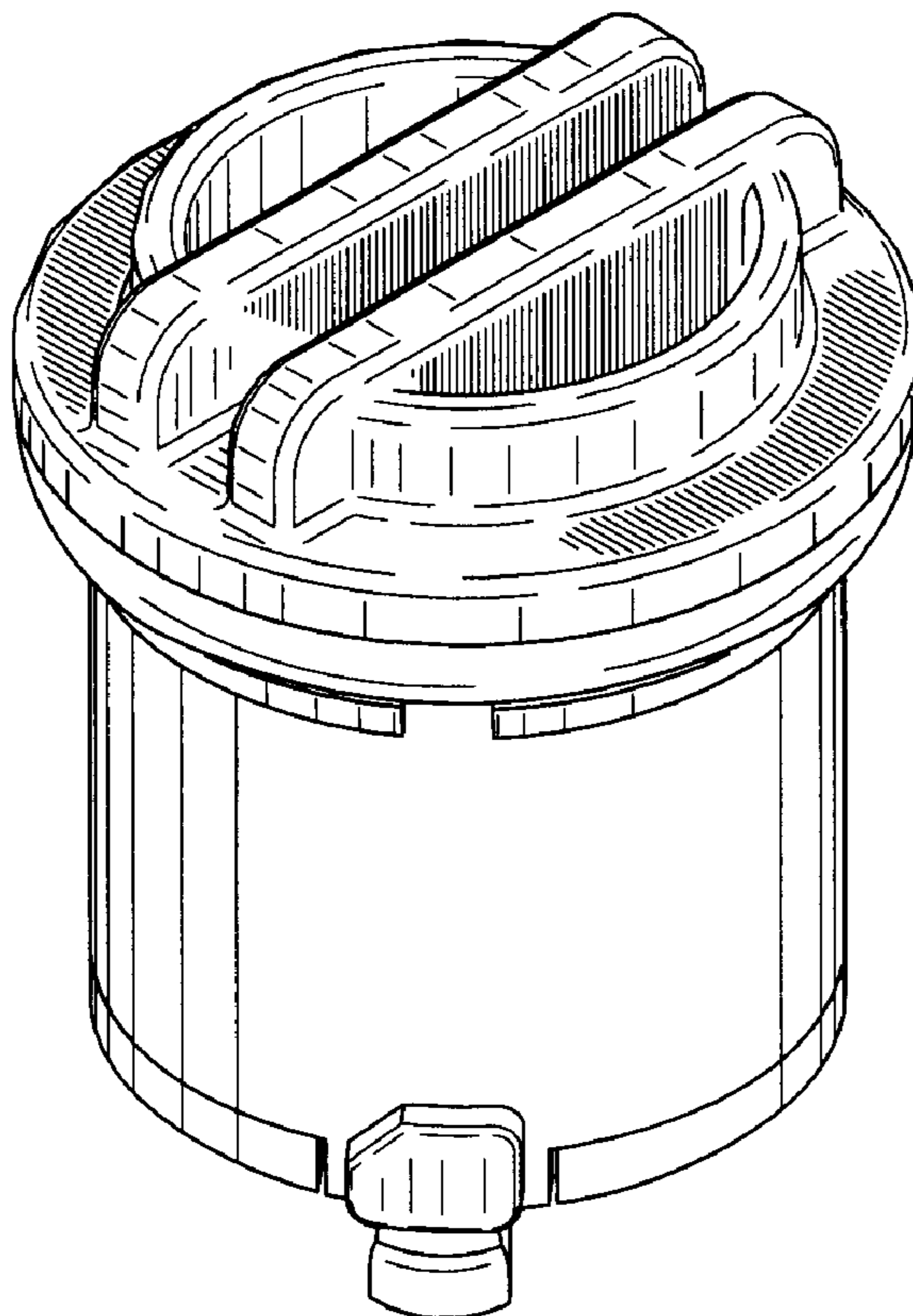
FIG. 2 is a front elevation view thereof;

FIG. 3 is a left side elevation view, the right side elevation view being a mirror image thereof;

FIG. 4 is a top plan view thereof; and,

FIG. 5 is a bottom plan view thereof.

1 Claim, 3 Drawing Sheets



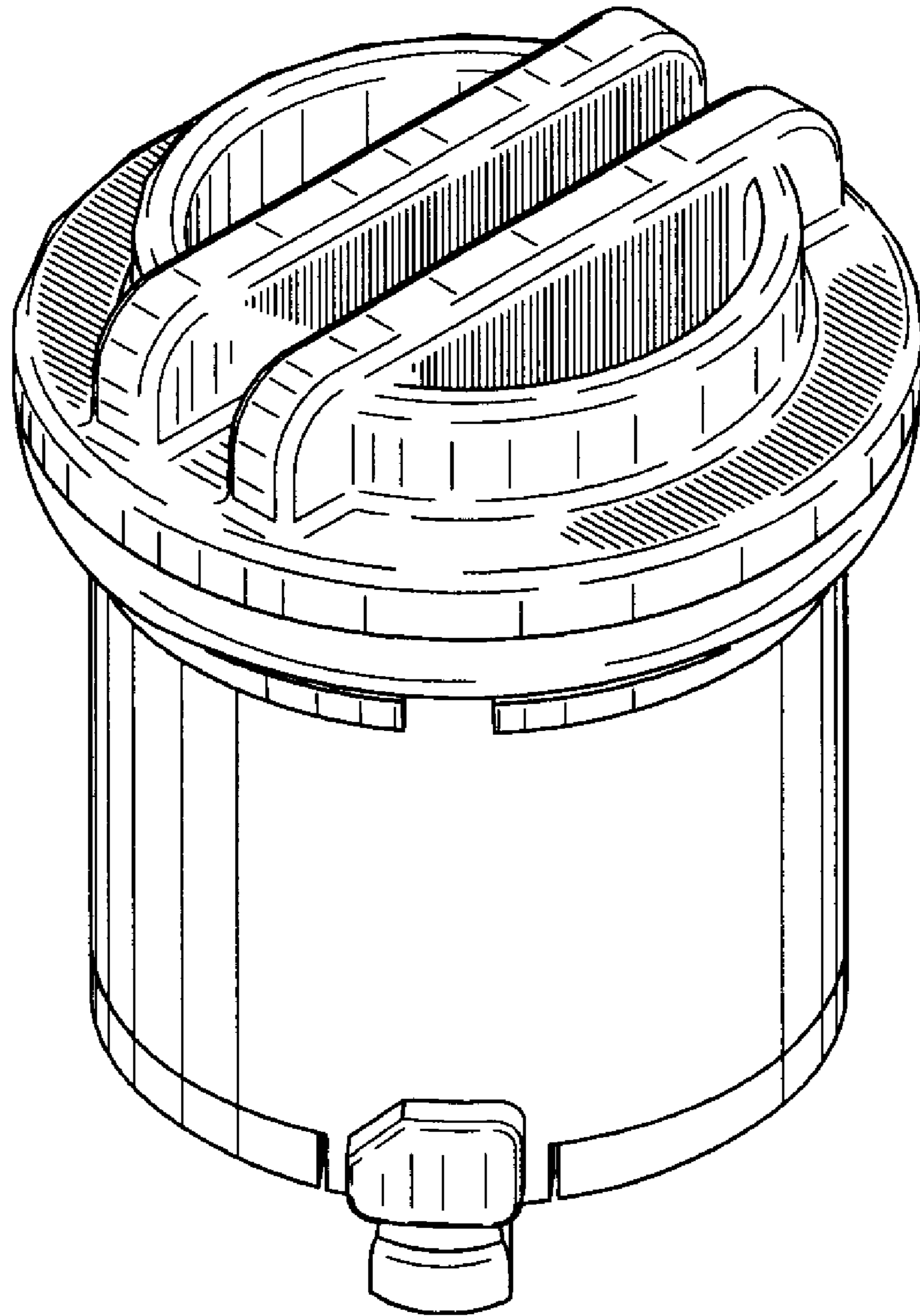


Fig. 1

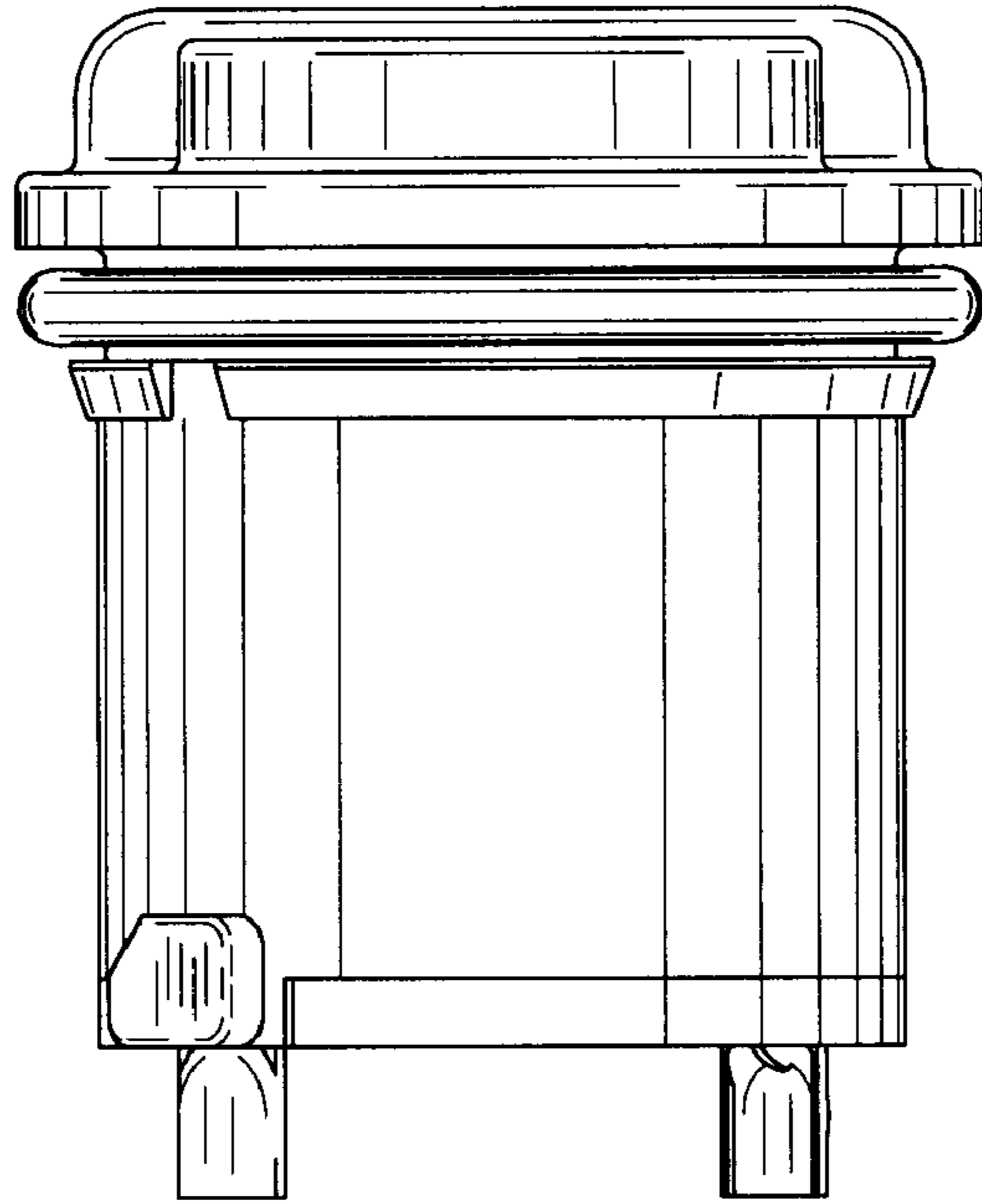


Fig. 2

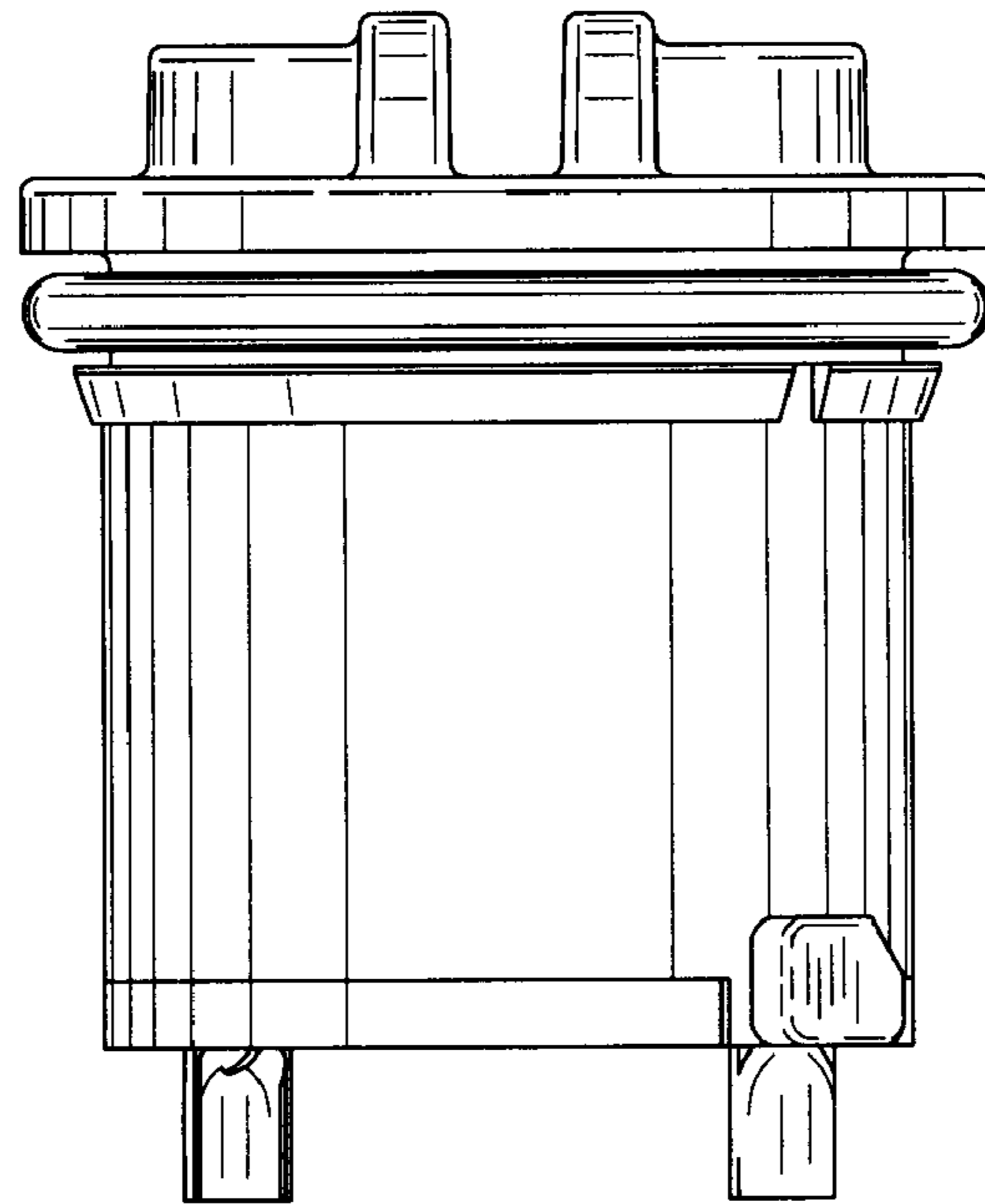


Fig. 3

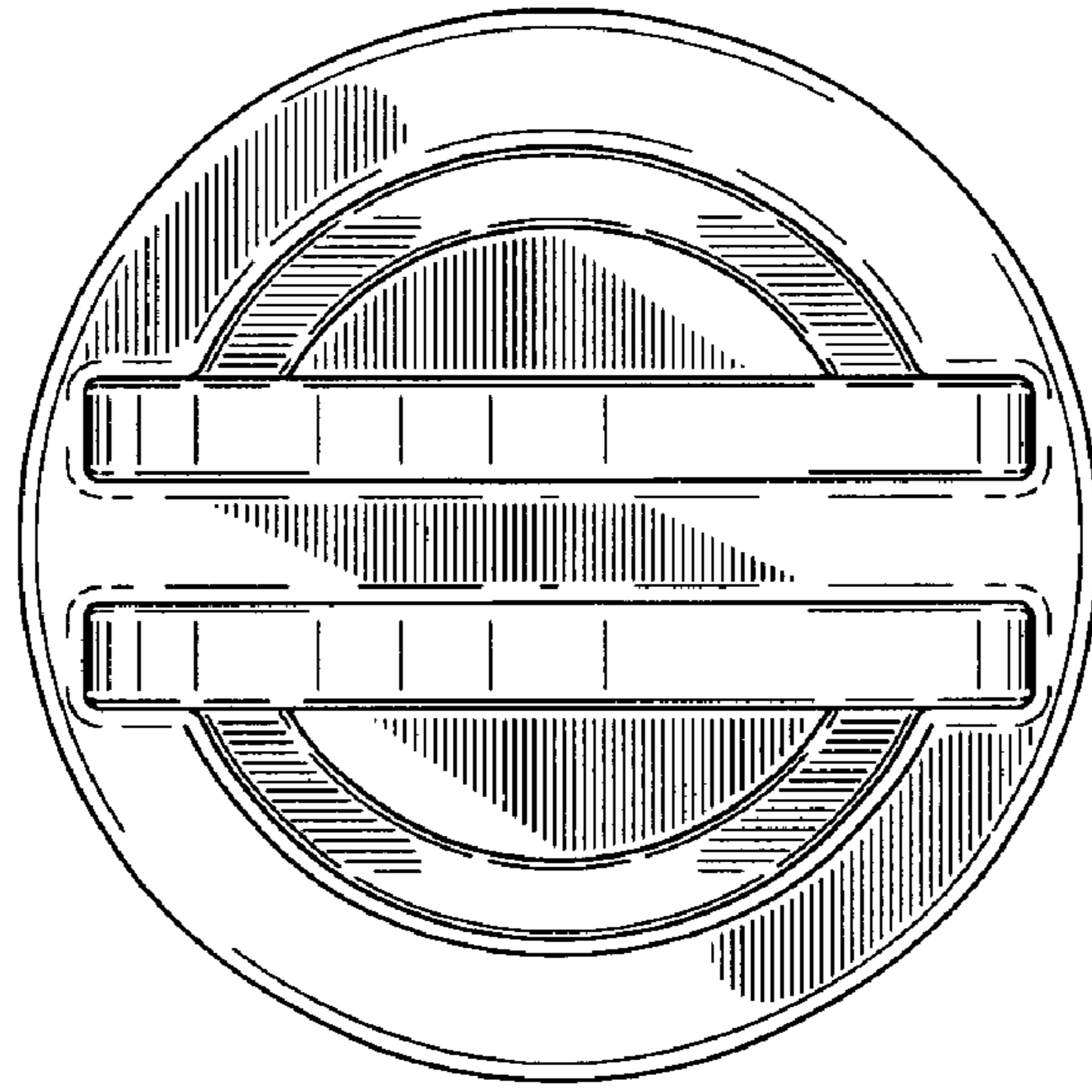


Fig. 4

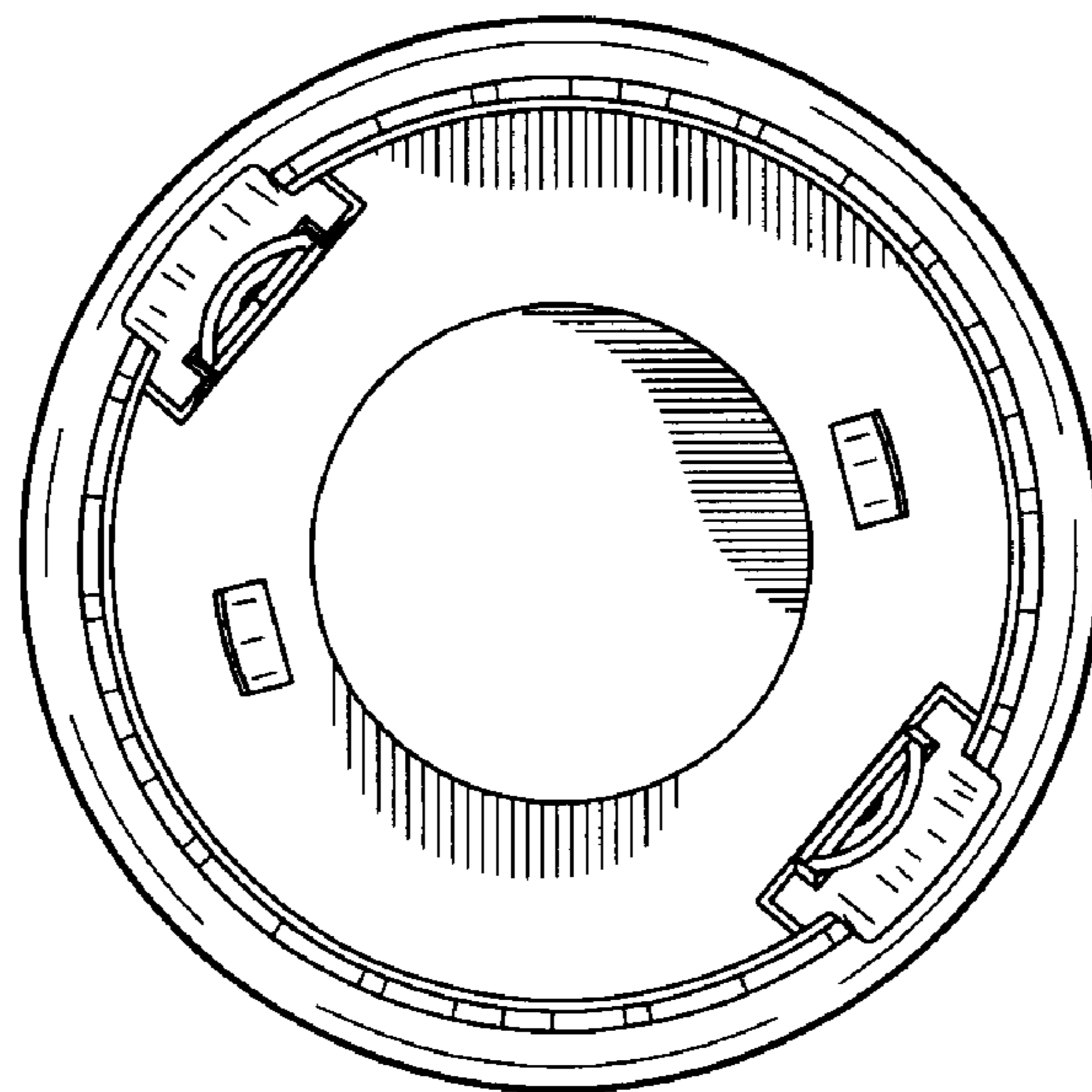


Fig. 5