

US00D528497S

(12) **United States Design Patent**
Ezra

(10) **Patent No.:** **US D528,497 S**

(45) **Date of Patent:** **** Sep. 19, 2006**

(54) **CARGO CARRIER**

(76) **Inventor:** **Brandon Joshua Ezra**, 9341 South St.
Rd. 39, Winamac, IN (US) 46996

(**) **Term:** **14 Years**

(21) **Appl. No.:** **29/234,563**

(22) **Filed:** **Jul. 21, 2005**

(51) **LOC (8) Cl.** **12-16**

(52) **U.S. Cl.** **D12/406**

(58) **Field of Classification Search** D12/400,
D12/406, 412-414.1, 162, 408; D6/552;
280/760-762, 769, 727; 414/462, 537; 410/3;
224/539, 519, 485, 487, 510-512, 521-525,
224/400-401, 489-495, 924, 497, 281-282,
224/402-405; D34/32; 254/88

See application file for complete search history.

(56) **References Cited**

U.S. PATENT DOCUMENTS

5,368,209 A * 11/1994 Hill 224/497
5,676,292 A * 10/1997 Miller 224/524
5,996,869 A * 12/1999 Belinky et al. 224/510

6,179,184 B1 * 1/2001 Belinky et al. 224/510
6,345,749 B1 * 2/2002 Hamilton 224/509
D459,287 S * 6/2002 Beard et al. D12/406
D477,562 S * 7/2003 McCoy et al. D12/406
6,908,150 B1 * 6/2005 Wegner et al. 224/521
D508,014 S * 8/2005 Heravi D12/406
D510,063 S * 9/2005 Moser D12/406

* cited by examiner

Primary Examiner—Stacia Cadmus

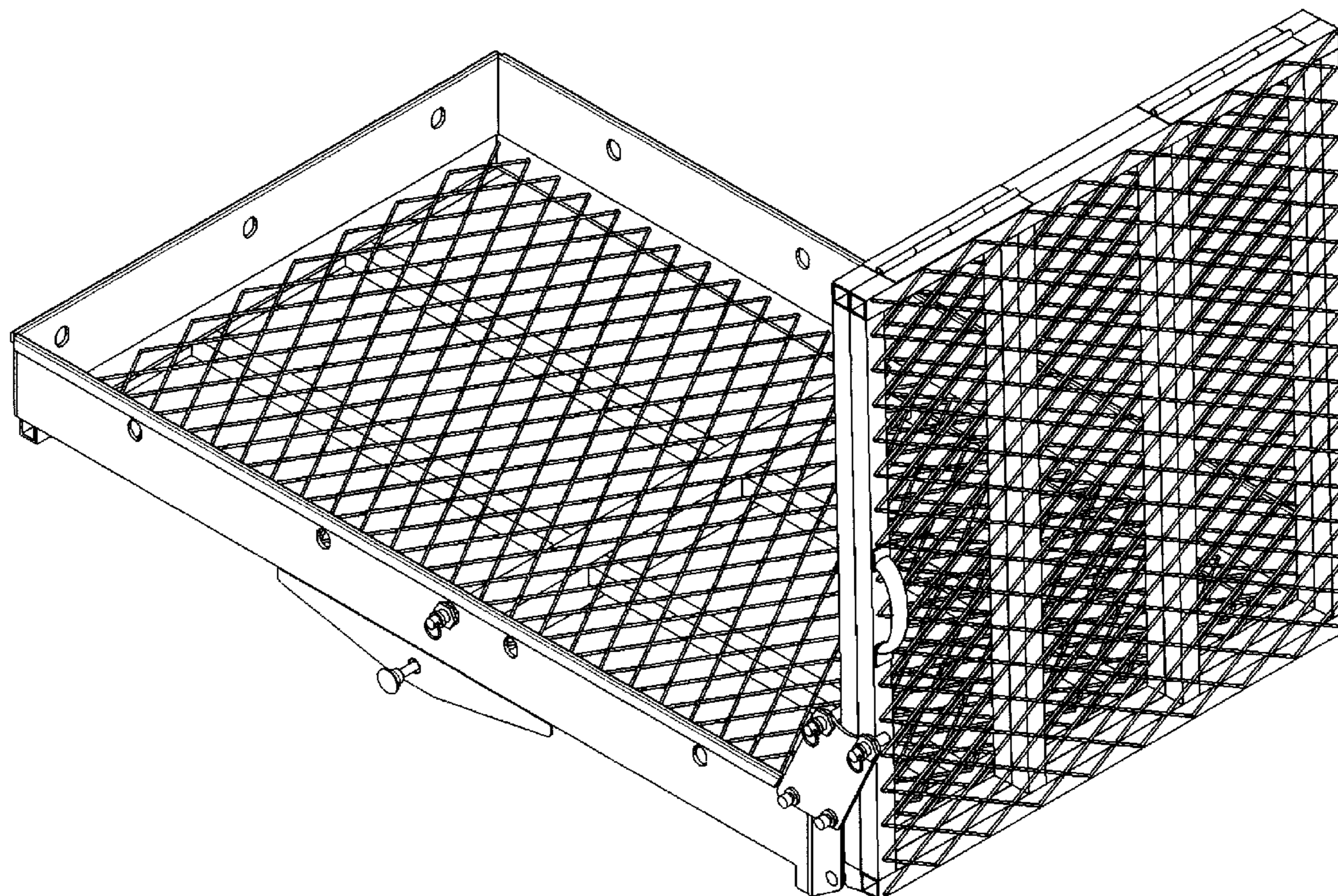
(57) **CLAIM**

The ornamental design for a cargo carrier, as shown and described.

DESCRIPTION

FIG. 1 is a front perspective view of the cargo carrier.
FIG. 2 is a rear perspective view of the cargo carrier.
FIG. 3 is a front elevation view of the cargo carrier.
FIG. 4 is a rear elevation view of the cargo carrier.
FIG. 5 is a top plan view of the cargo carrier.
FIG. 6 is a bottom plan view of cargo carrier.
FIG. 7 is a left side elevation view of the cargo carrier; and,
FIG. 8 is a right side elevation view of the cargo carrier.

1 Claim, 5 Drawing Sheets



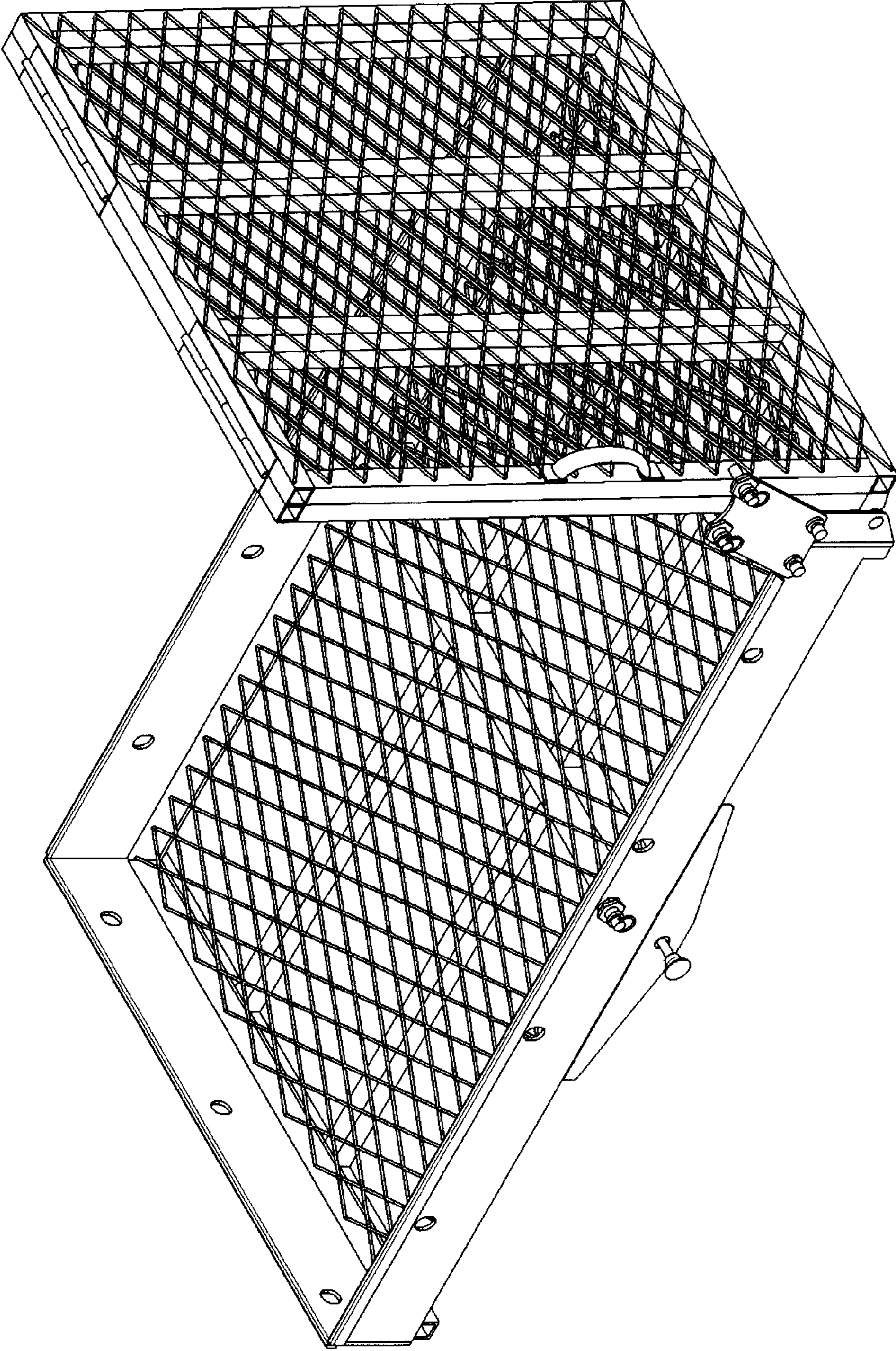


FIG. 1

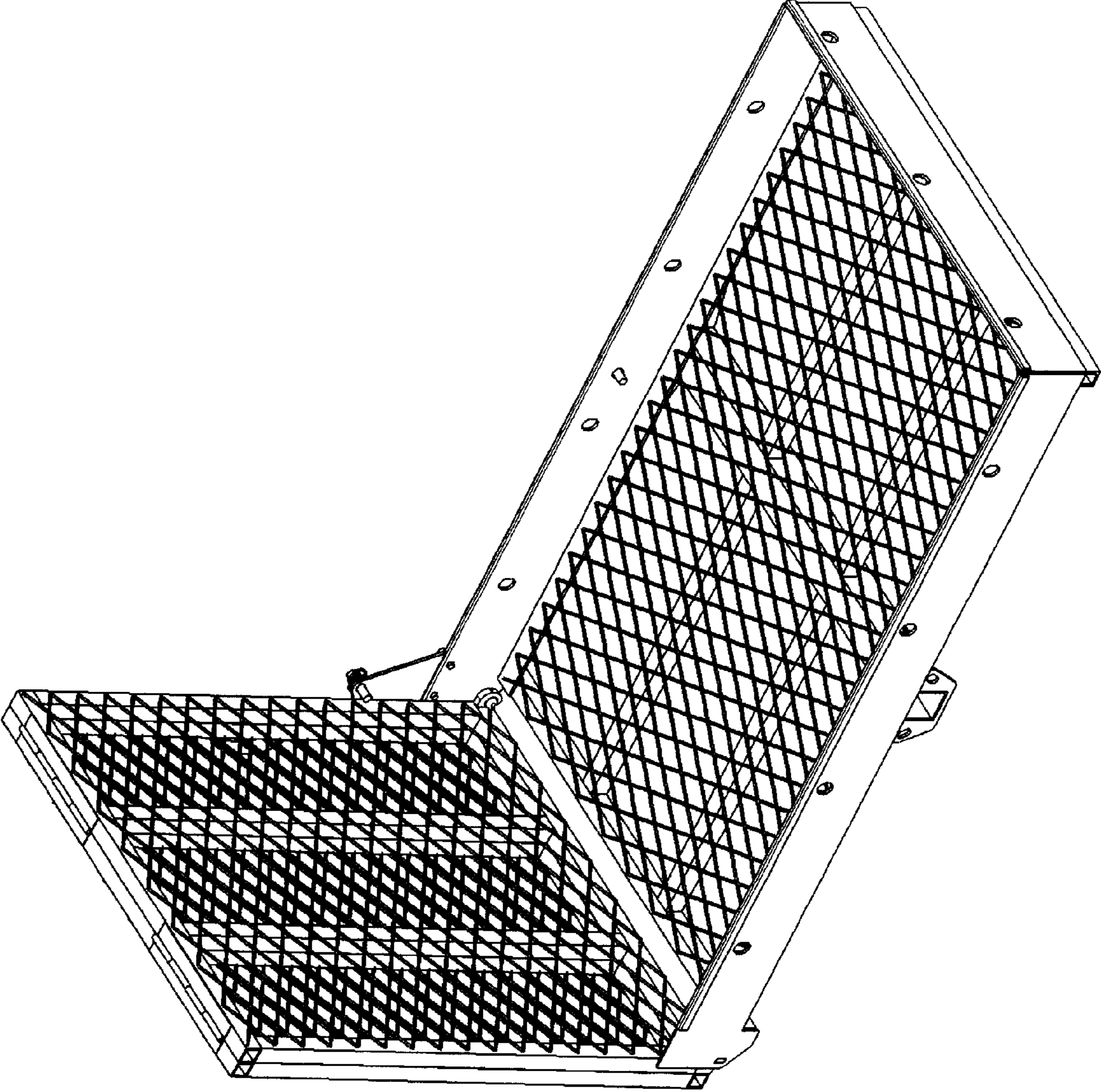


FIG. 2

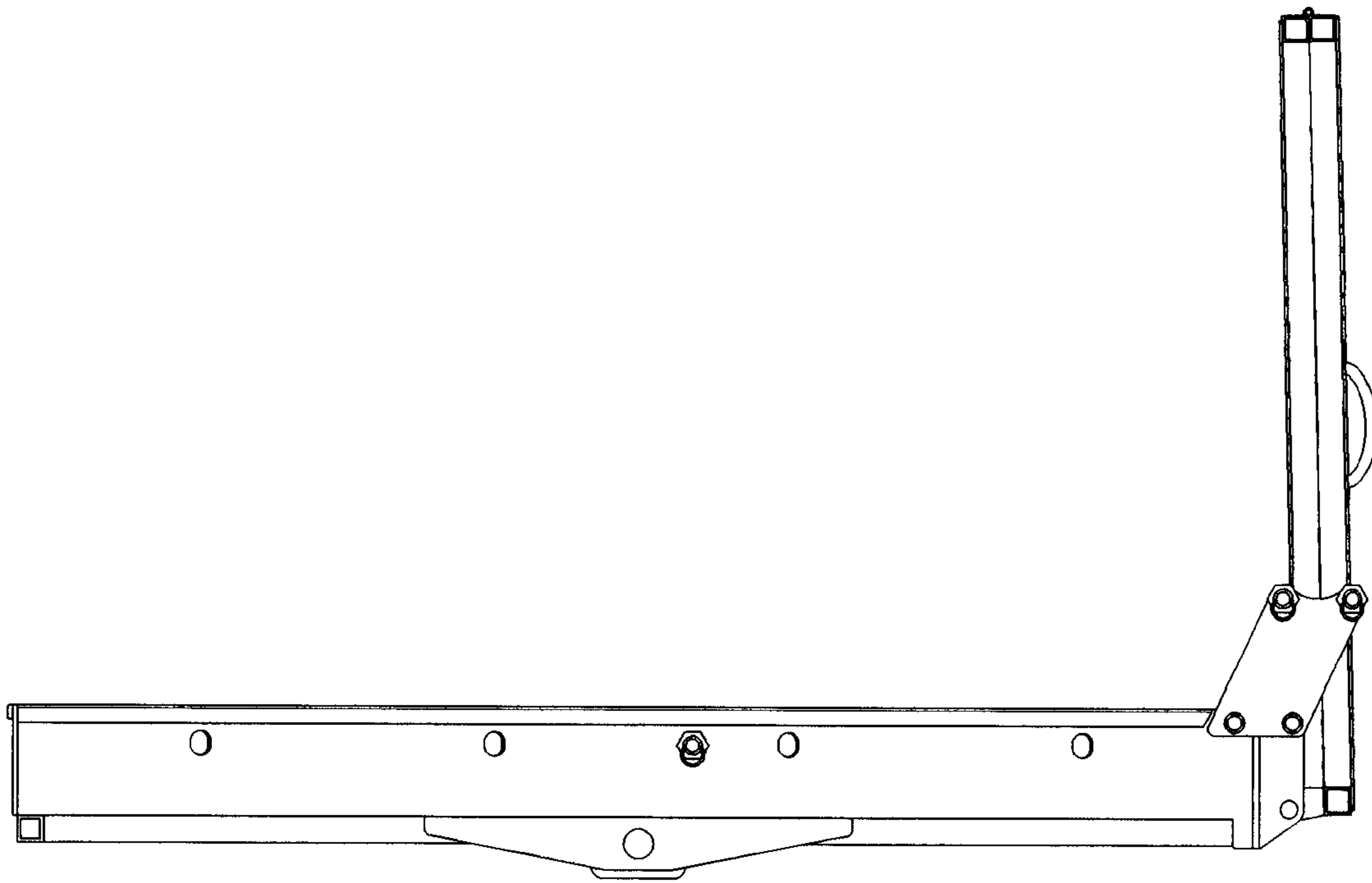


FIG. 3

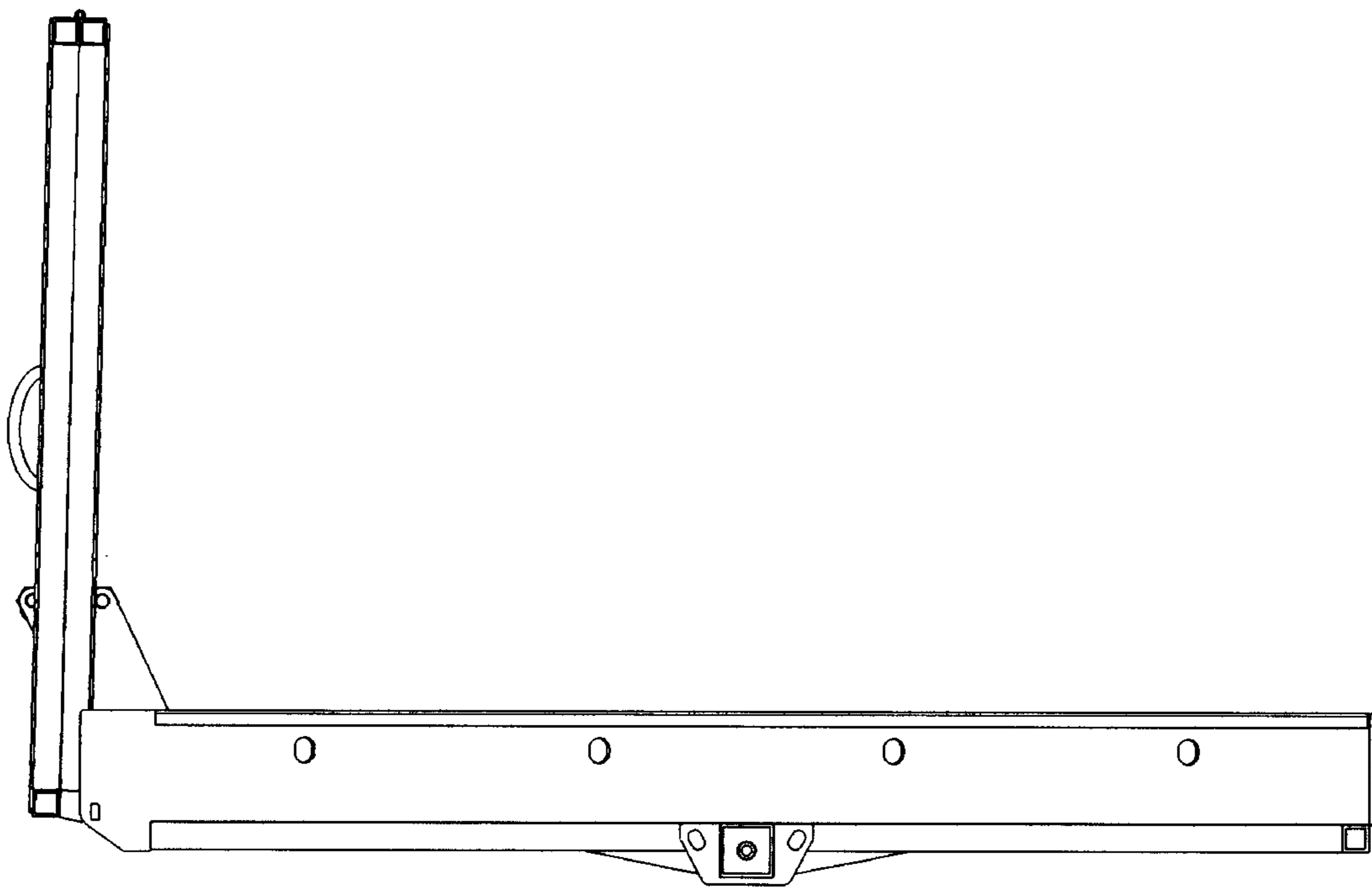


FIG. 4

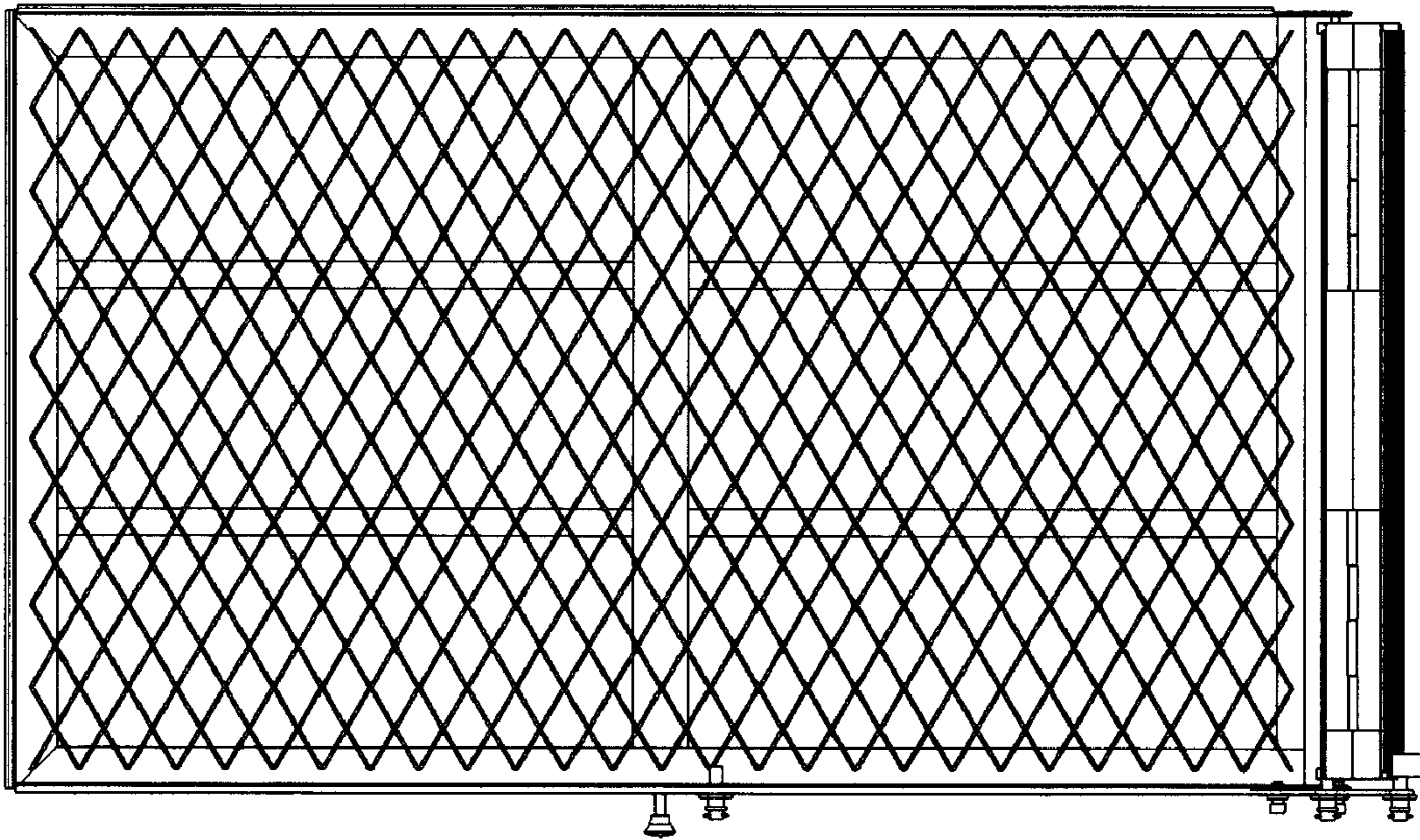


FIG. 5

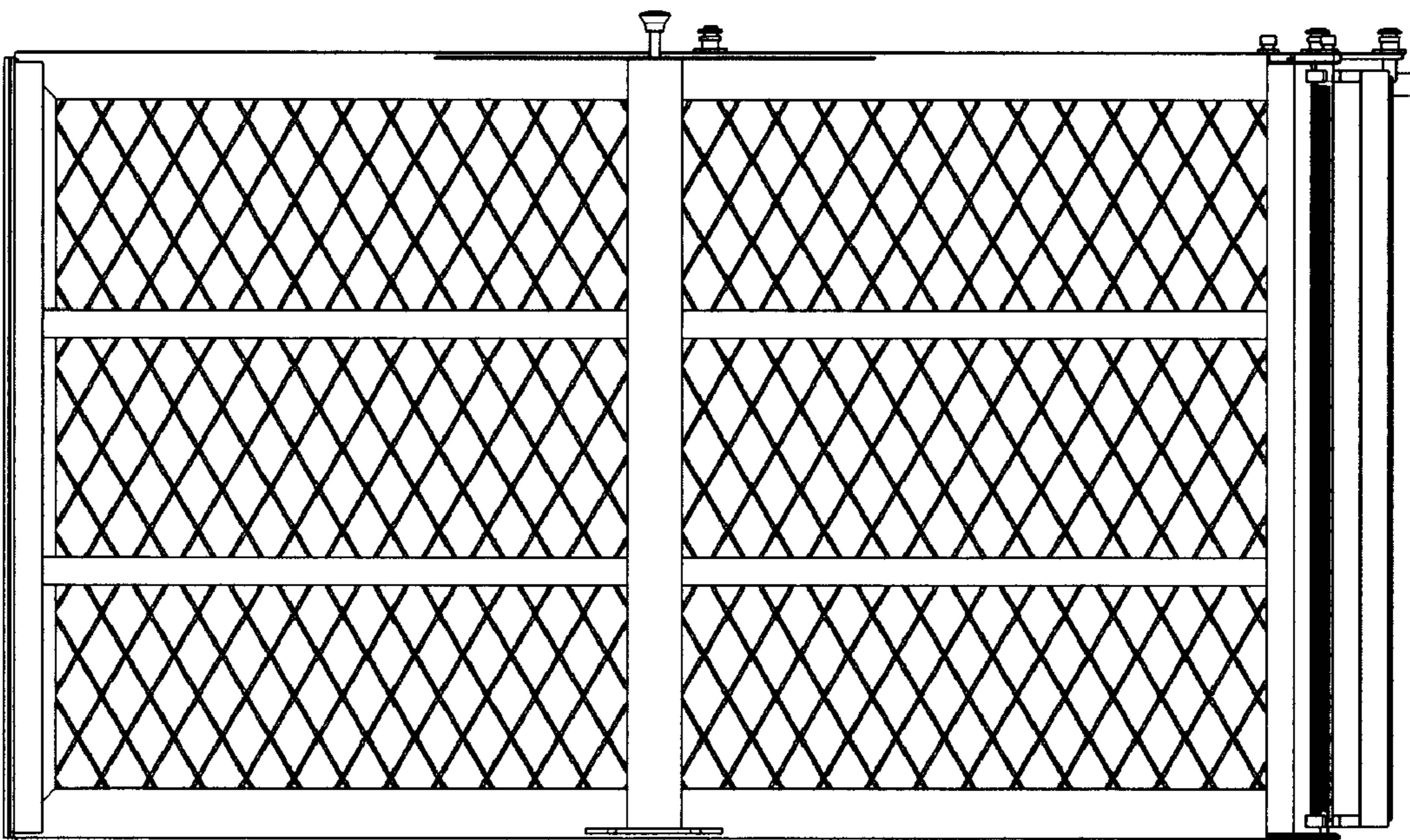


FIG. 6

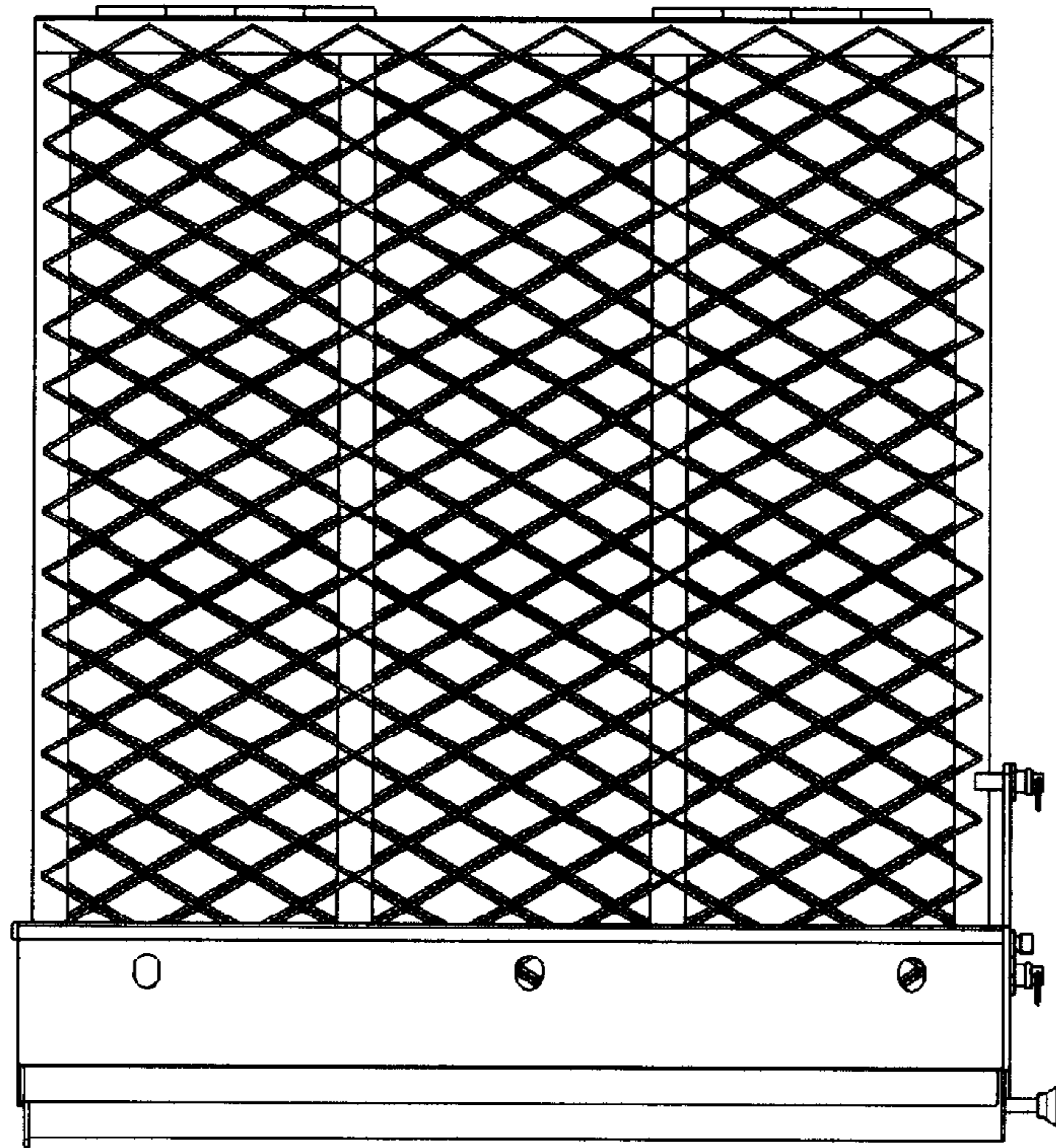


FIG. 7

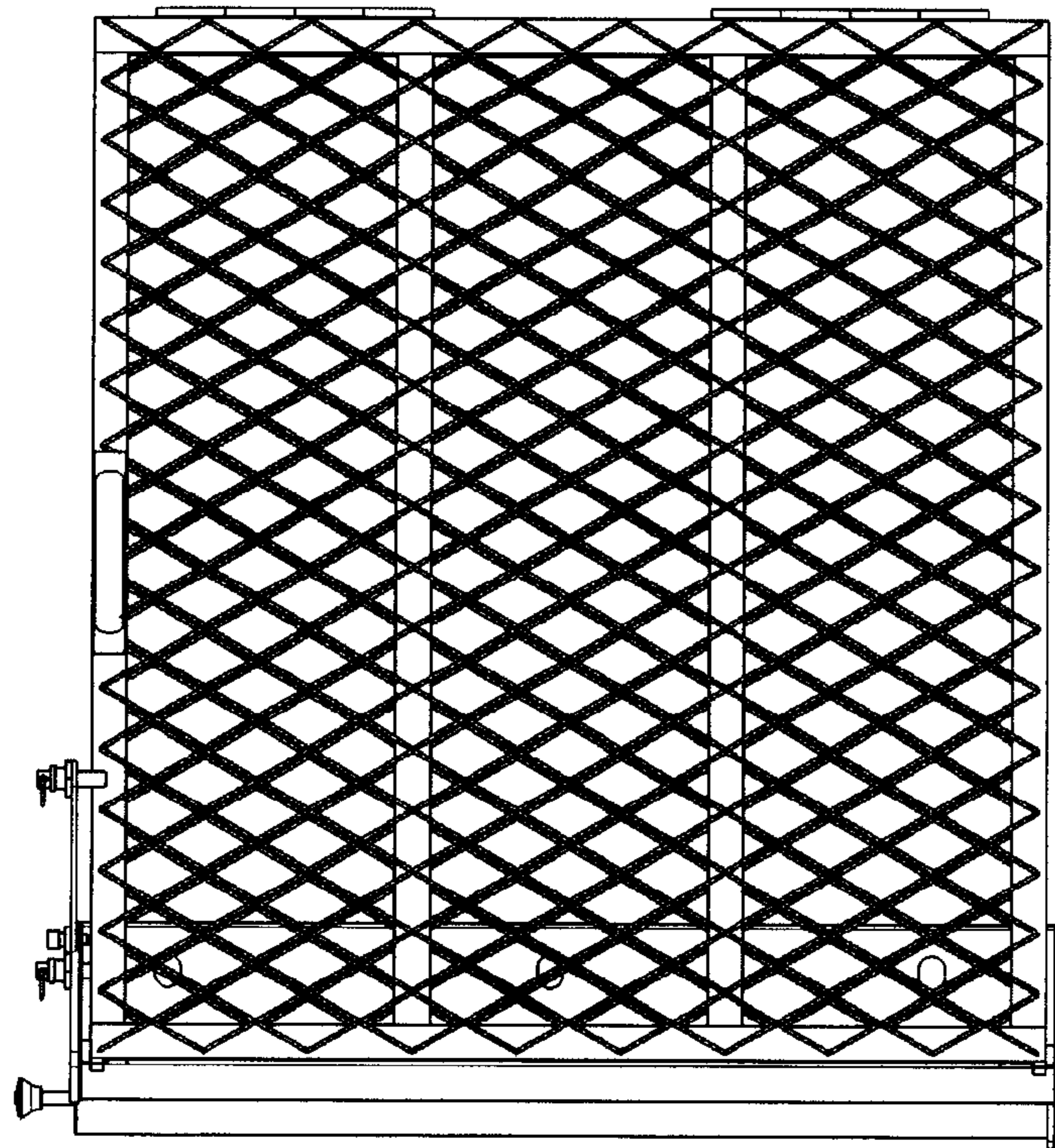


FIG. 8