

US00D528495S

(12) **United States Design Patent**
Truebsbach

(10) **Patent No.:** **US D528,495 S**

(45) **Date of Patent:** **** Sep. 19, 2006**

(54) **FRONT FACE OF A VEHICLE WHEEL**

(75) **Inventor:** **Sebastian Truebsbach**, Prien am Chiemsee (DE)

(73) **Assignee:** **Bayerische Motoren Werke Aktiengesellschaft**, Munich (DE)

(**) **Term:** **14 Years**

(21) **Appl. No.:** **29/242,303**

(22) **Filed:** **Nov. 9, 2005**

(30) **Foreign Application Priority Data**

May 11, 2005 (DE) 4 05 02 549

(51) **LOC (8) Cl.** **12-16**

(52) **U.S. Cl.** **D12/211**

(58) **Field of Classification Search** D12/204-213;
301/37.101, 64.101, 65

See application file for complete search history.

(56) **References Cited**

U.S. PATENT DOCUMENTS

D410,426 S * 6/1999 Frizzi D12/211
D451,877 S * 12/2001 Lee D12/211

D460,942 S * 7/2002 Lee D12/211
D470,094 S * 2/2003 van Hooydonk D12/211
D474,440 S * 5/2003 Oh D12/211
D480,036 S * 9/2003 Laengerer D12/211
D483,714 S * 12/2003 Warming D12/211
D486,111 S * 2/2004 Weidhase D12/211
D493,404 S * 7/2004 Baum D12/211
D500,005 S 12/2004 van Hooydonk
D506,172 S * 6/2005 Pfeiffer D12/211
D510,309 S * 10/2005 Cheng D12/211
D516,988 S * 3/2006 Laengerer D12/211

* cited by examiner

Primary Examiner—Stacia Cadmus

(74) *Attorney, Agent, or Firm*—Crowell & Moring LLP

(57) **CLAIM**

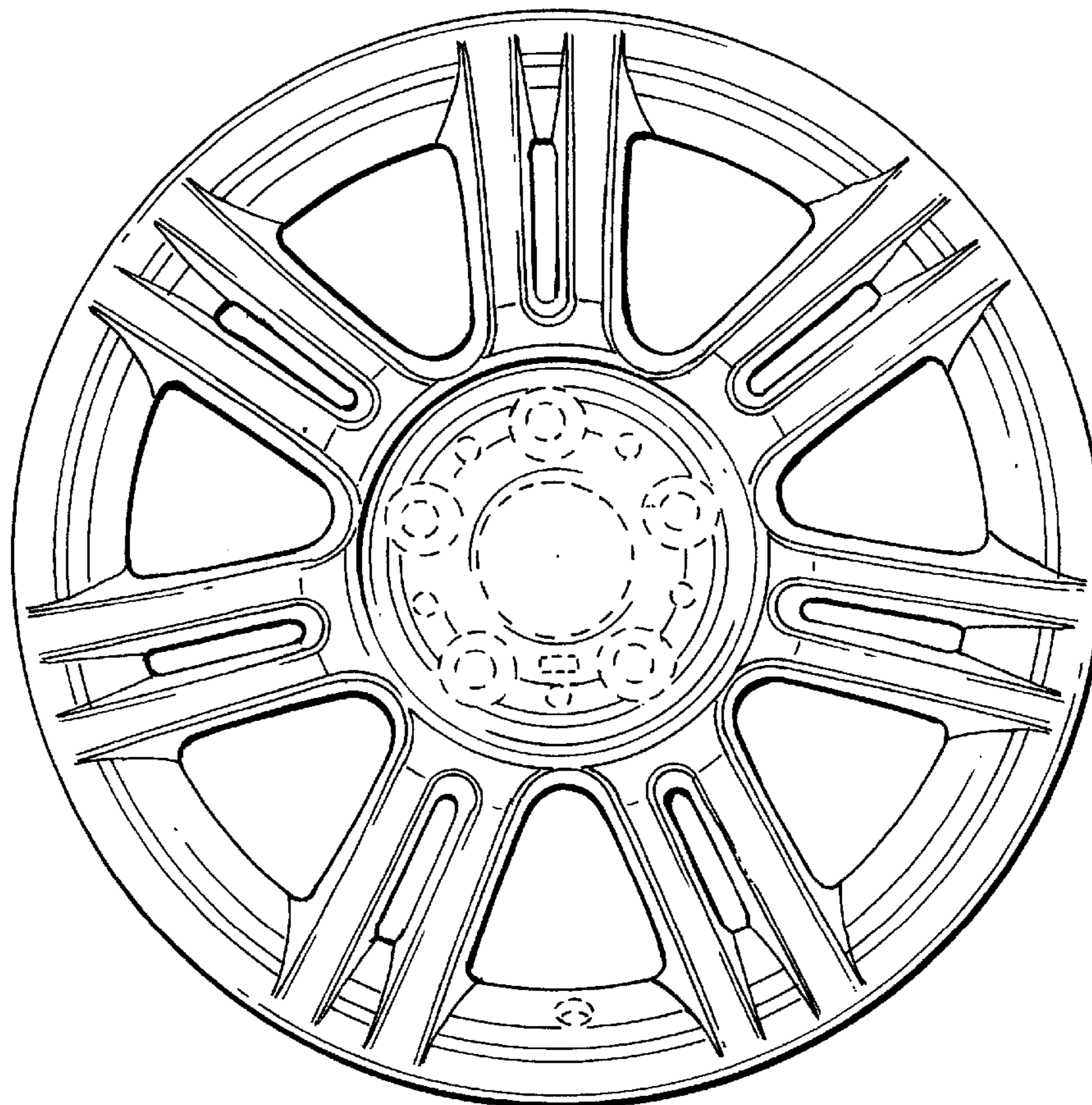
The ornamental design for a front face of a vehicle wheel, as shown and described.

DESCRIPTION

FIG. 1 is a perspective view of a front face of a vehicle wheel according to my novel design; and, FIG. 2 is a front view thereof.

The broken lines are for illustrative purposes only and form no part of the claimed design.

1 Claim, 1 Drawing Sheet



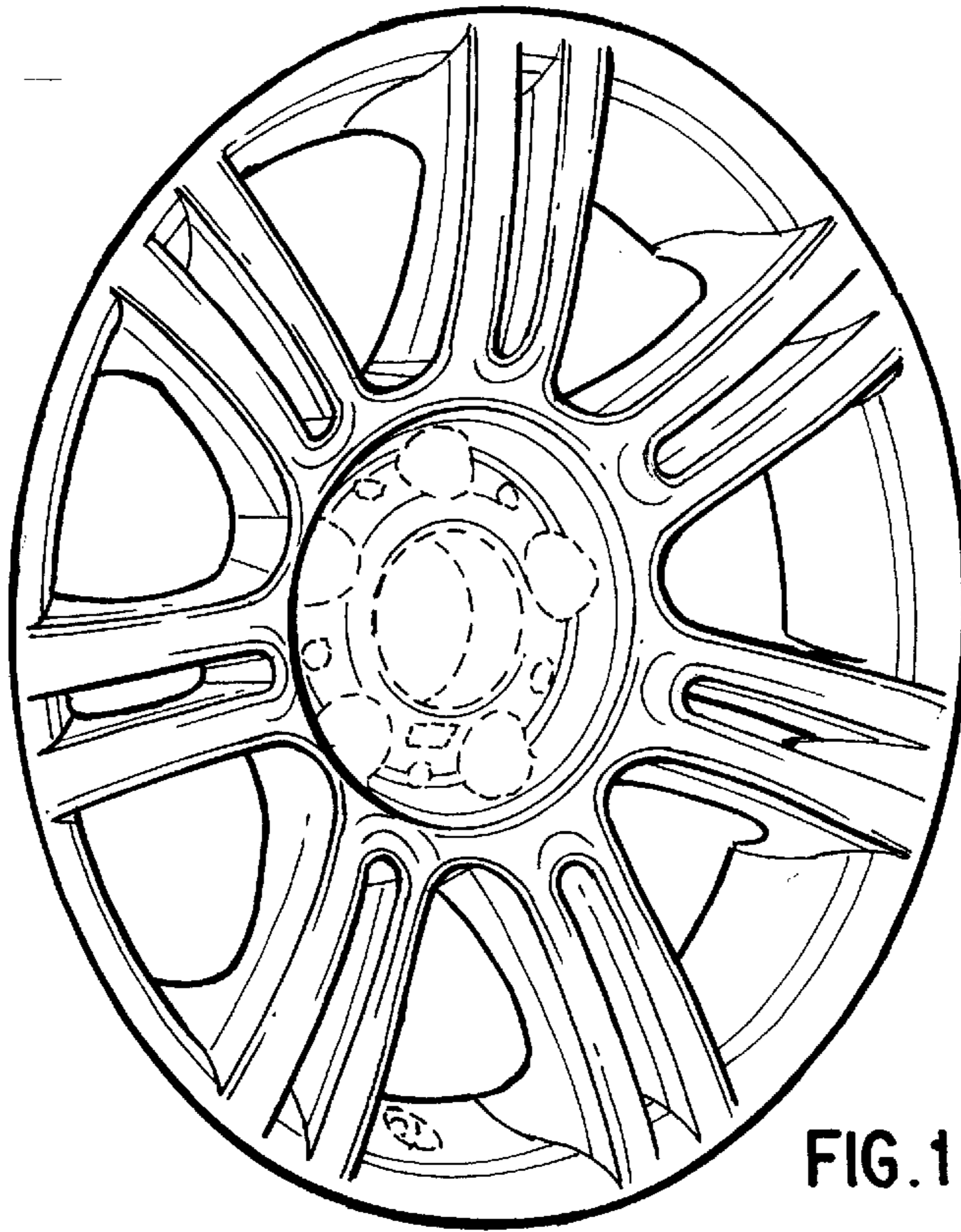


FIG. 1

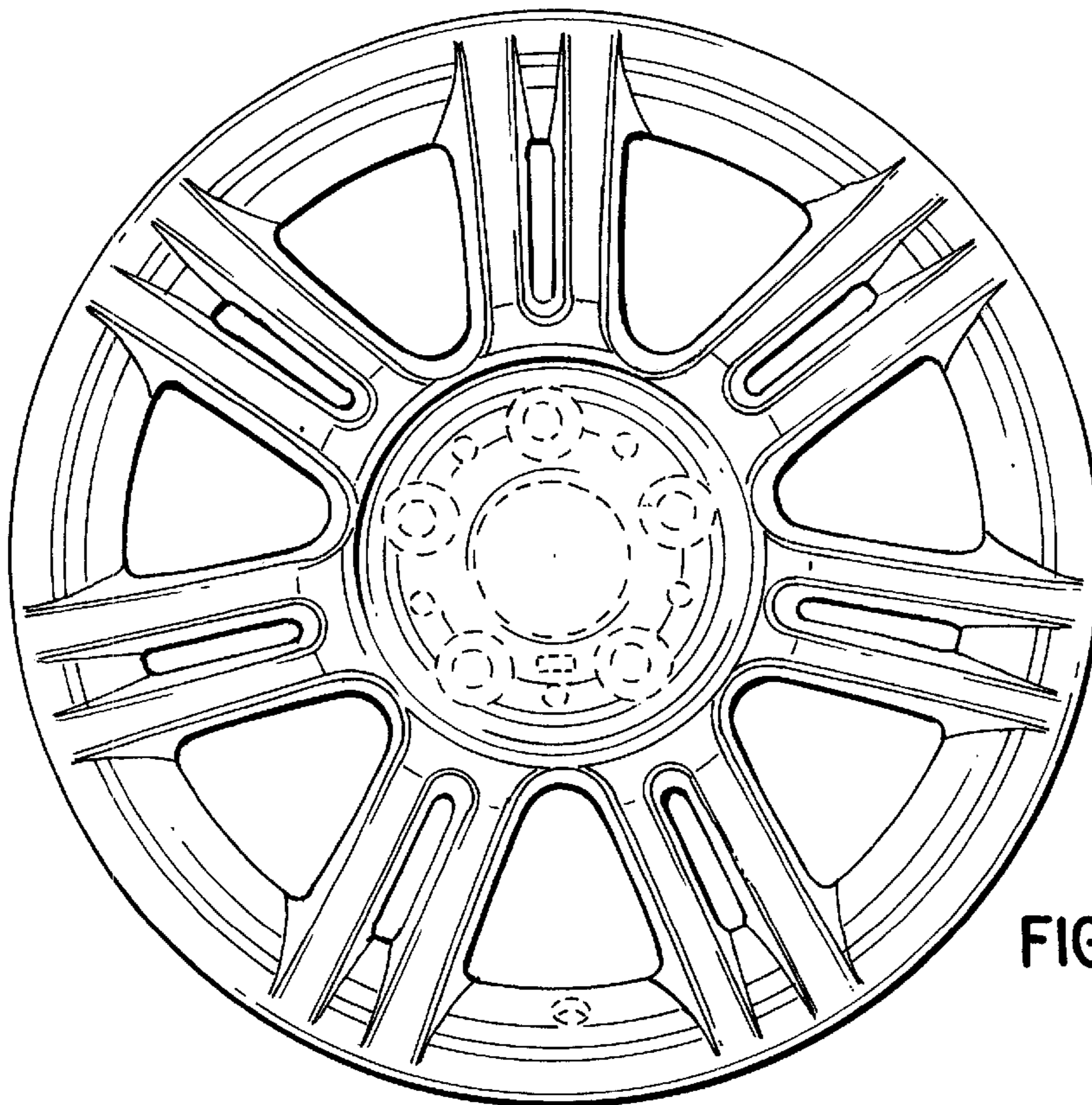


FIG. 2