



US00D528494S

(12) **United States Design Patent**
Osborne et al.

(10) **Patent No.:** **US D528,494 S**

(45) **Date of Patent:** **** Sep. 19, 2006**

(54) **FRONT FACE OF A WHEEL**

(75) Inventors: **Art Osborne**, San Pedro, CA (US);
Peter Petersen, Rancho Palos Verdes,
CA (US)

(73) Assignee: **Honda Motor Co., Ltd.**, Tokyo (JP)

(**) Term: **14 Years**

(21) Appl. No.: **29/245,496**

(22) Filed: **Dec. 27, 2005**

(51) **LOC (8) Cl.** **12-16**

(52) **U.S. Cl.** **D12/209**

(58) **Field of Classification Search** D12/204-213;
301/37.101, 64.101, 65
See application file for complete search history.

(56) **References Cited**

U.S. PATENT DOCUMENTS

D473,837 S * 4/2003 Vian D12/211
D480,031 S * 9/2003 Mattin et al. D12/209

D486,116 S * 2/2004 Maifrini D12/211
D491,873 S * 6/2004 Markefka D12/211
D500,722 S * 1/2005 Hussaini et al. D12/209
D500,724 S * 1/2005 Hong D12/211
D515,004 S * 2/2006 Scheu D12/211

* cited by examiner

Primary Examiner—Stacia Cadmus

(74) *Attorney, Agent, or Firm*—Plumsea Law Group, LLC

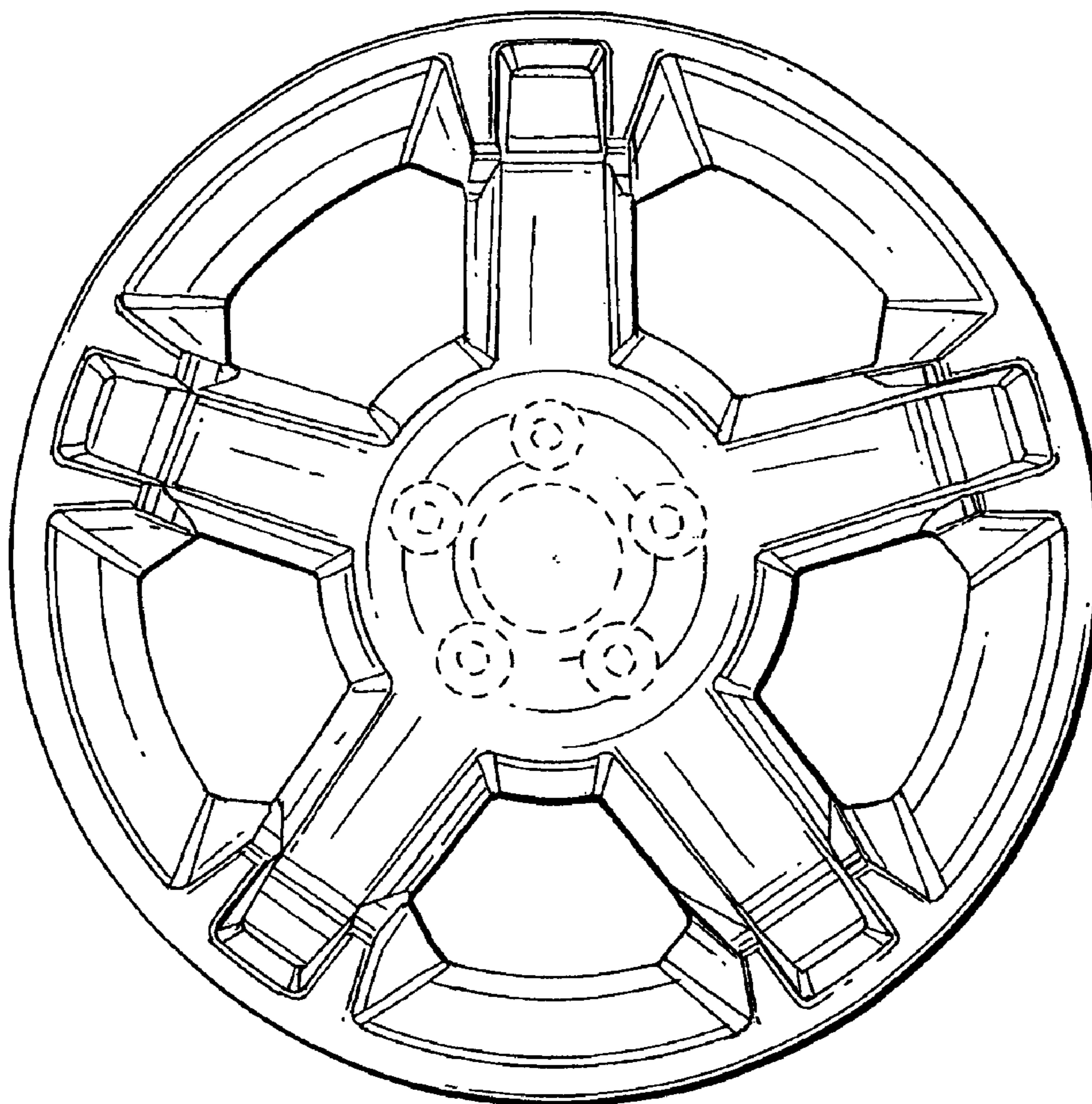
(57) **CLAIM**

The ornamental design for a front face of a wheel, as shown and described.

DESCRIPTION

FIG. 1 is an front elevational view of a front face of a wheel showing our new design; and, FIG. 2 is a perspective view thereof. The broken line showings of the hub, and the lug nut areas are for illustrative purposes only and form no part of the claimed design.

1 Claim, 1 Drawing Sheet



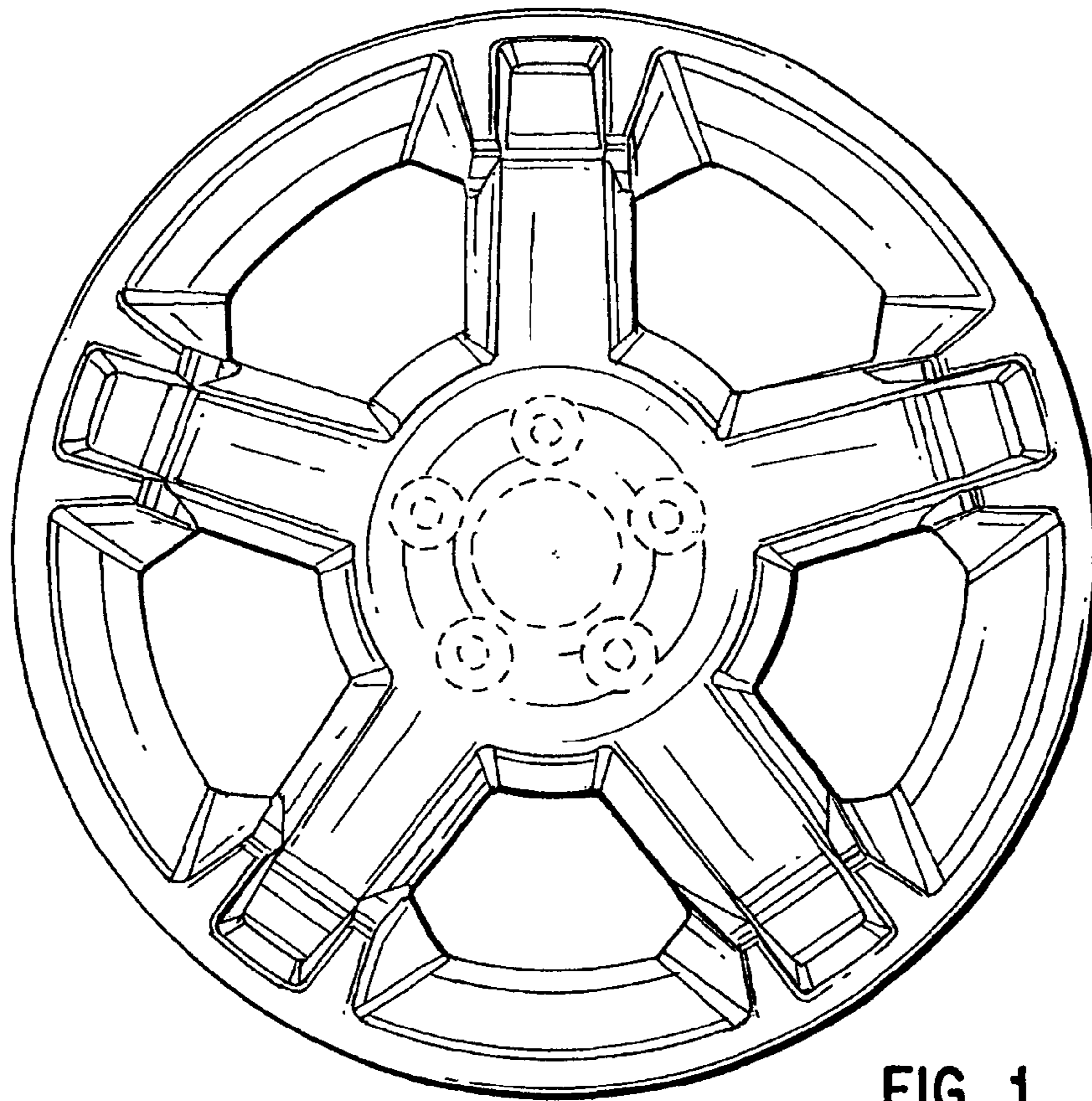


FIG. 1

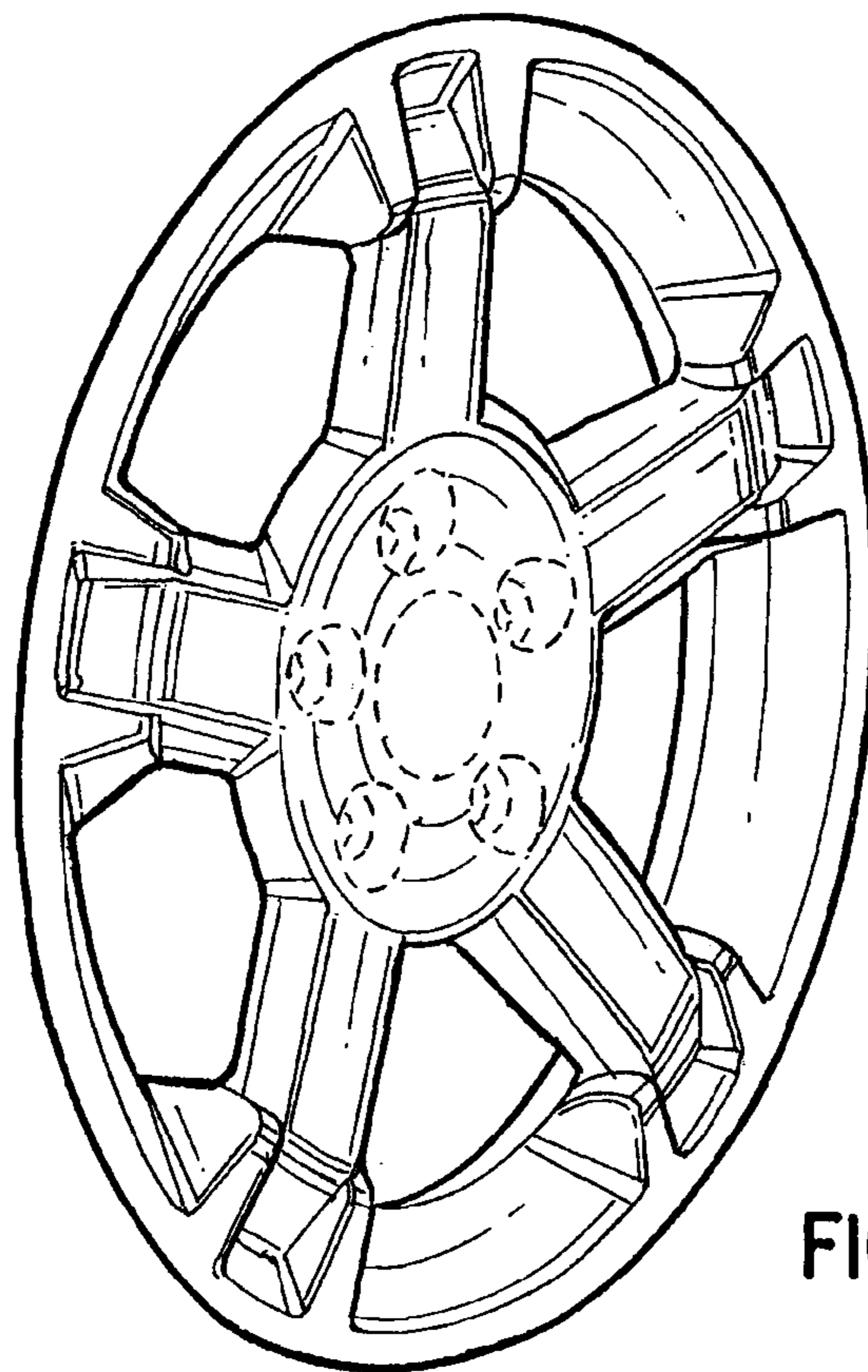


FIG. 2