



US00D528492S

(12) **United States Design Patent**
Wu

(10) **Patent No.:** **US D528,492 S**

(45) **Date of Patent:** **** Sep. 19, 2006**

(54) **STREAMLINE HUB**

(76) **Inventor:** **Donald P. H. Wu**, No. 108, Hsin-He Road., Hsin-Feng Hsiang, Hsinchu County (TW)

(**) **Term:** **14 Years**

(21) **Appl. No.:** **29/245,904**

(22) **Filed:** **Dec. 29, 2005**

(51) **LOC (8) Cl.** **12-16**

(52) **U.S. Cl.** **D12/207**

(58) **Field of Classification Search** D12/204,
D12/207, 213; 301/59-61, 5.309, 105.1,
301/110.5, 124.1, 124.2, 5.1, 5.301; 192/64;
280/279; 384/544-545

See application file for complete search history.

(56) **References Cited**

U.S. PATENT DOCUMENTS

D29,946 S	*	1/1899	Stokes	D12/207
D140,572 S	*	3/1945	Roe	D12/207
D217,798 S	*	6/1970	Christian	D12/207
D248,640 S	*	7/1978	Hsieh	D12/207

D281,155 S	*	10/1985	Scura	D12/207
D330,883 S	*	11/1992	Harr	D12/207
D340,888 S	*	11/1993	Ringle et al.	D12/207
D365,310 S	*	12/1995	Chen	D12/207
D367,838 S	*	3/1996	Snook	D12/207
D369,336 S	*	4/1996	Zemlicka et al.	D12/207

* cited by examiner

Primary Examiner—Stacia Cadmus

(74) *Attorney, Agent, or Firm*—Banger Shia

(57) **CLAIM**

The ornamental design for a streamline hub, as shown and described.

DESCRIPTION

FIG. 1 is a perspective view of a streamline hub showing my new design;

FIG. 2 is a front elevational view thereof;

FIG. 3 is a rear elevational view thereof,

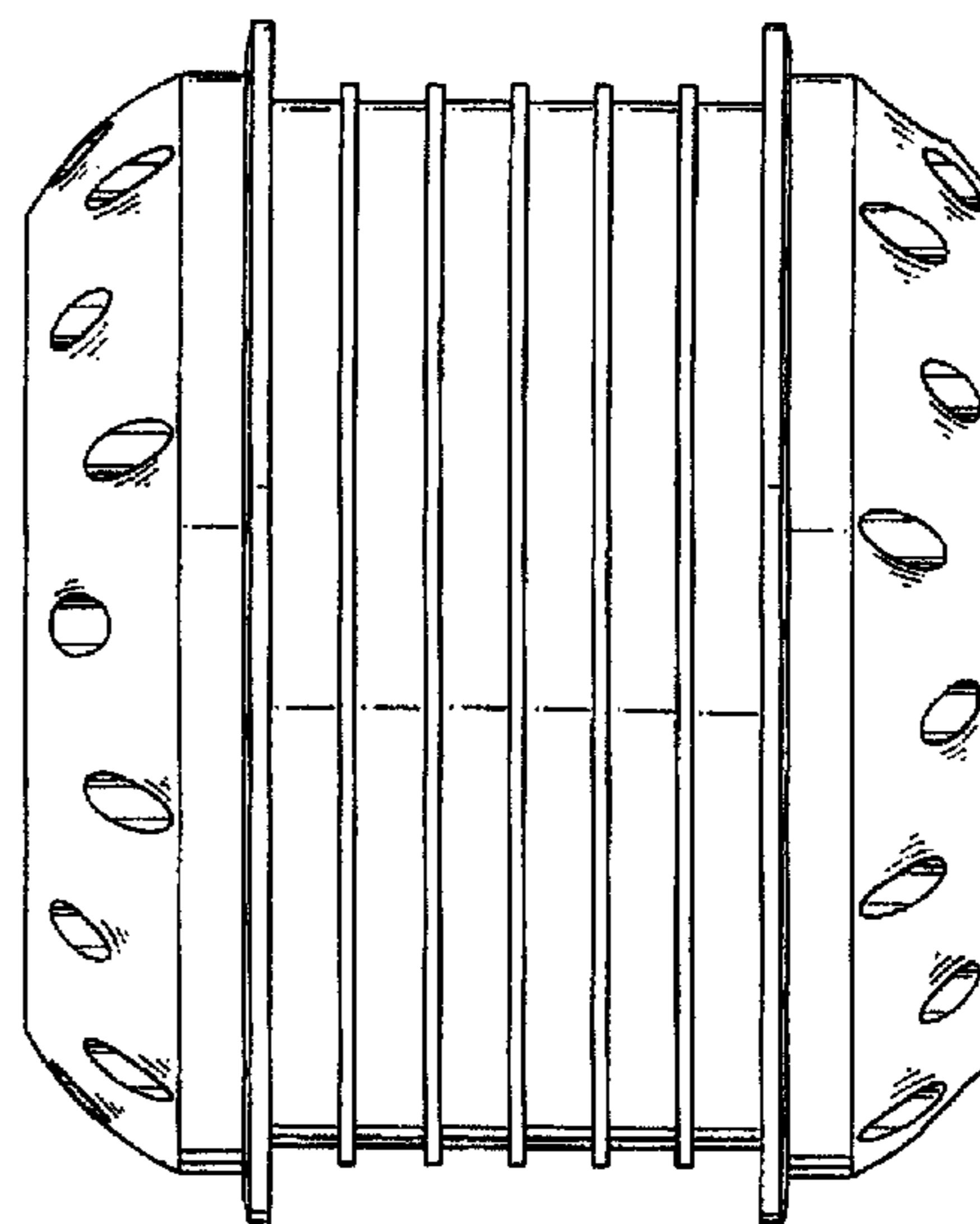
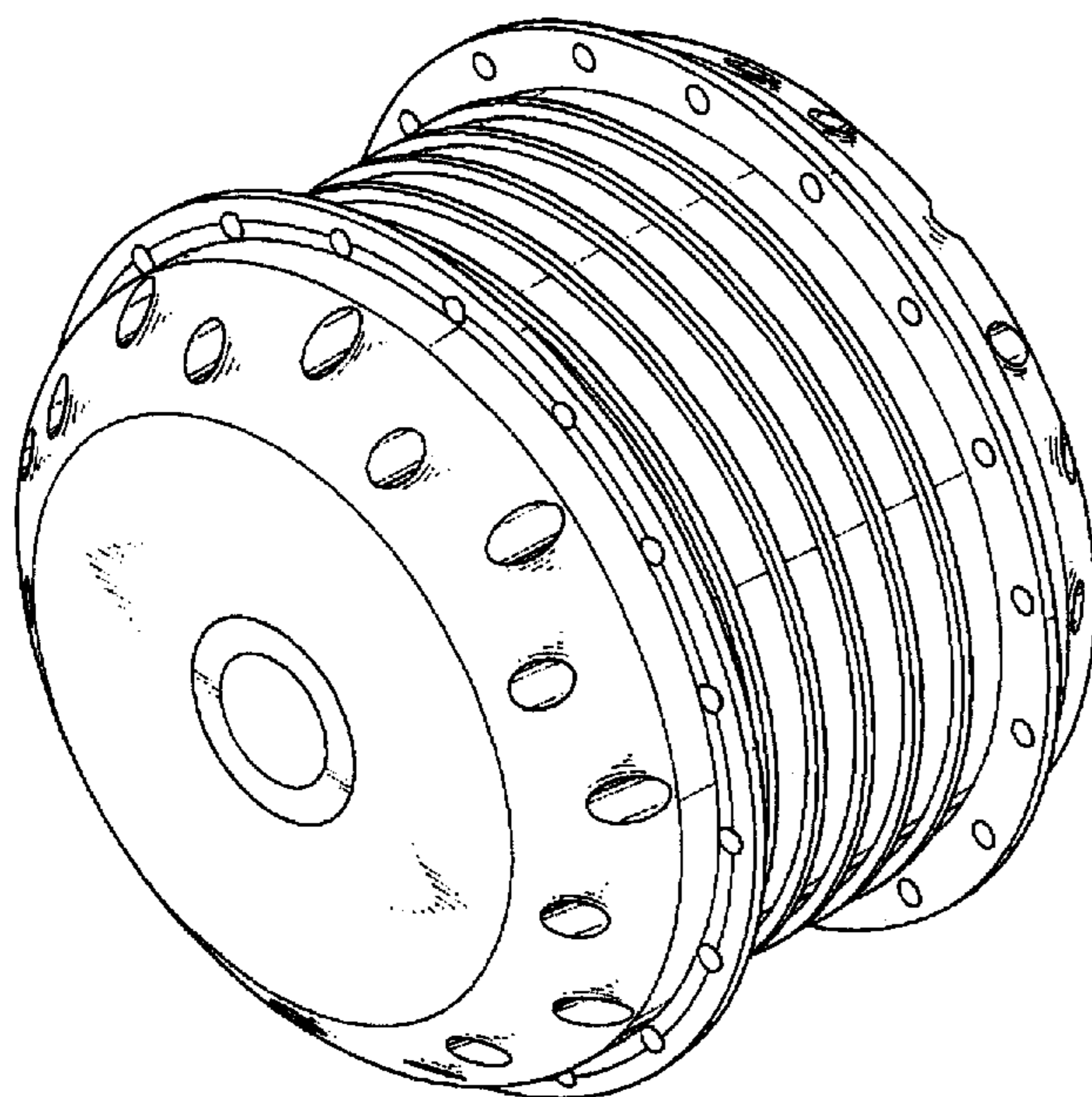
FIG. 4 is a left side elevational view thereof,

FIG. 5 is a right side elevational view thereof,

FIG. 6 is a top plan view thereof; and,

FIG. 7 is a bottom plan view to that shown.

1 Claim, 4 Drawing Sheets



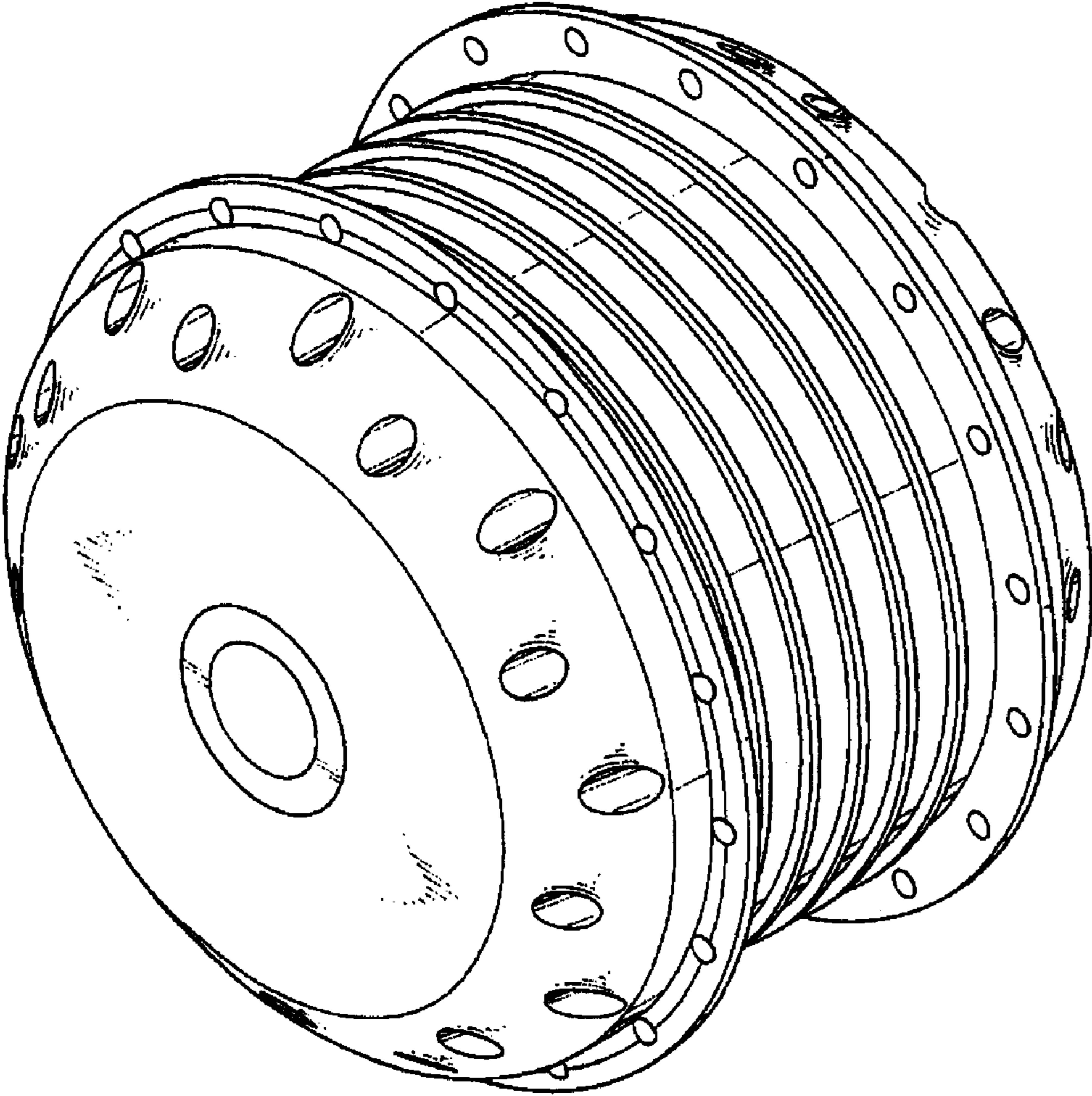


FIG. 1

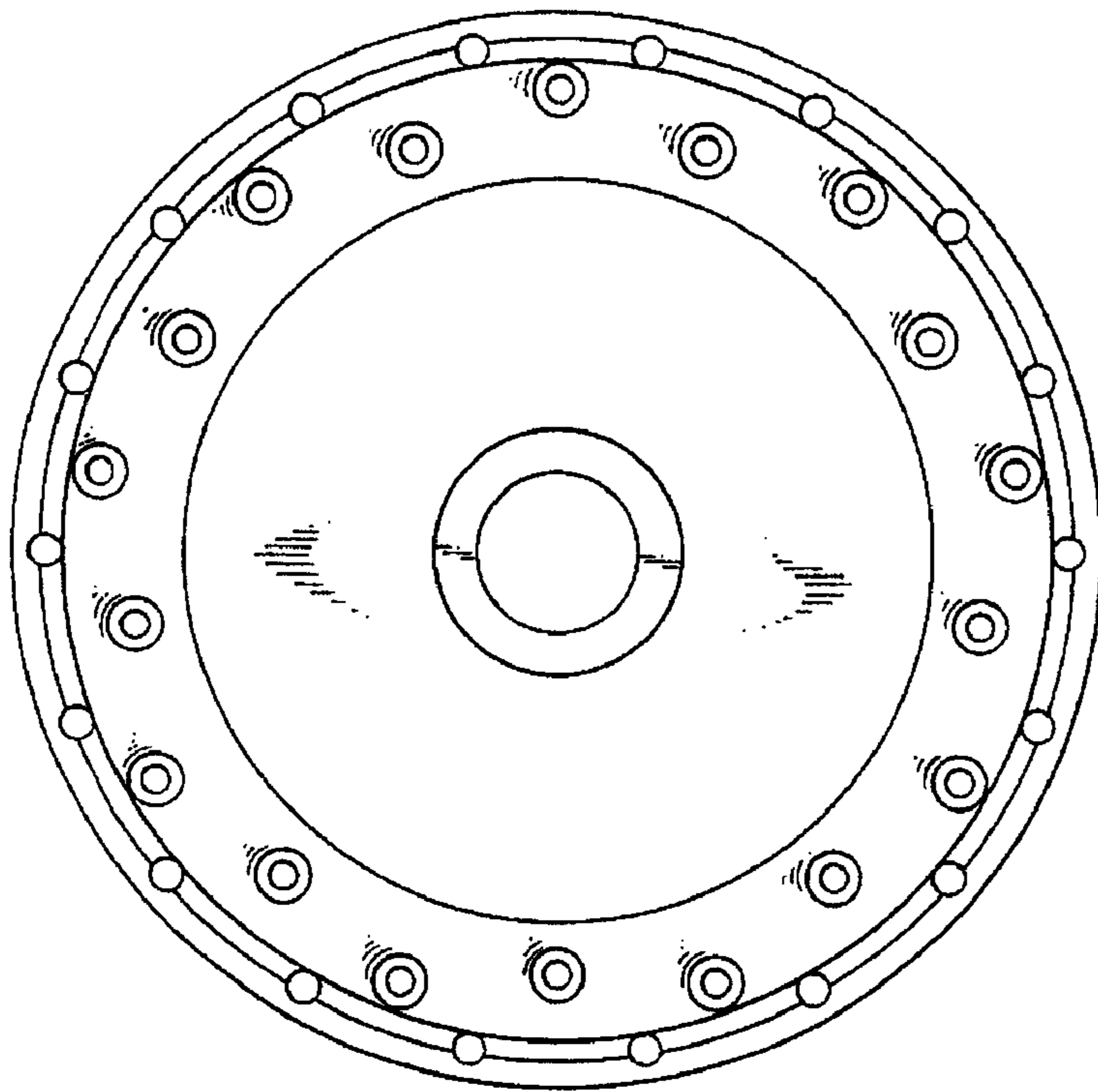


FIG. 2

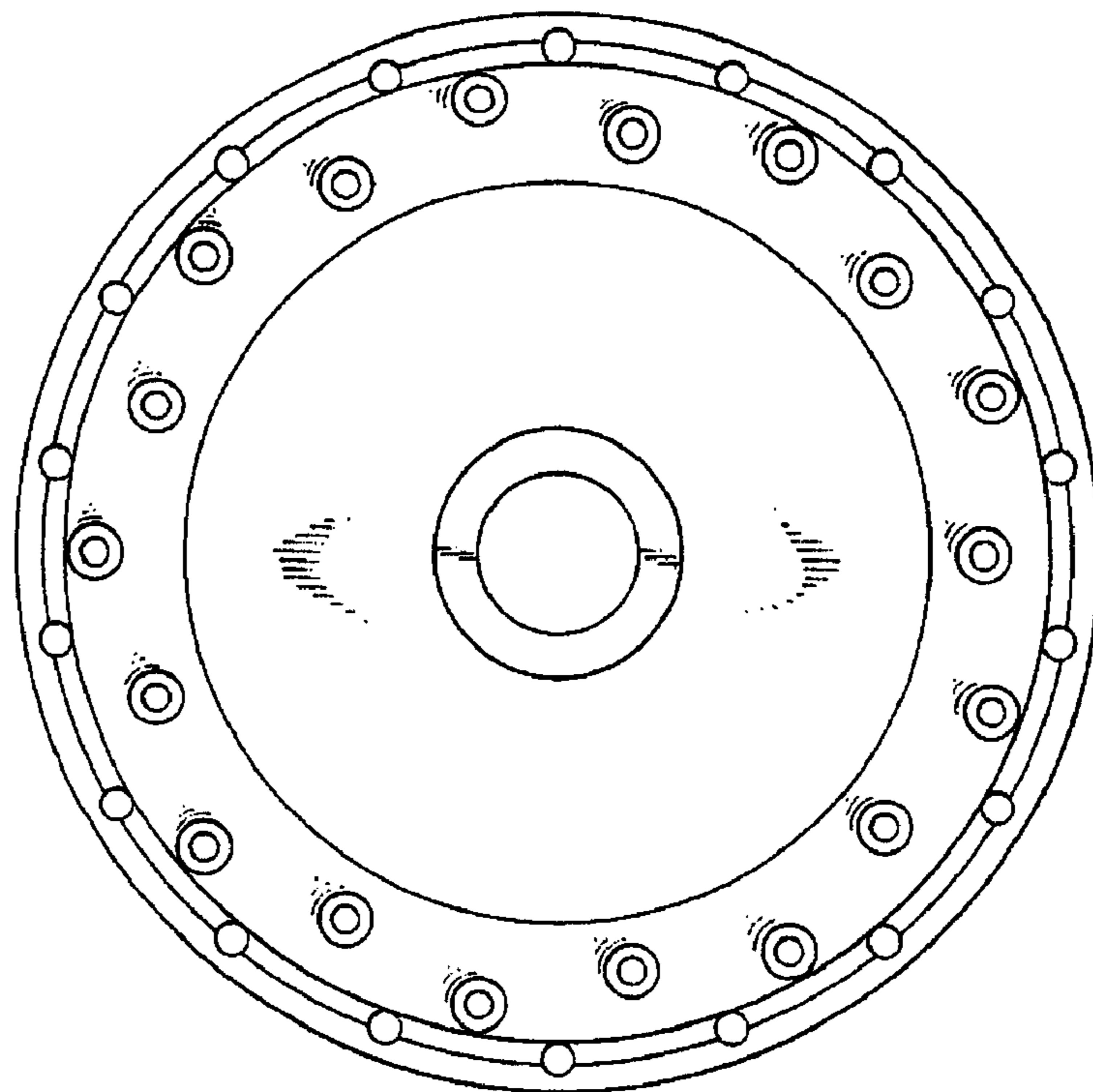


FIG. 3

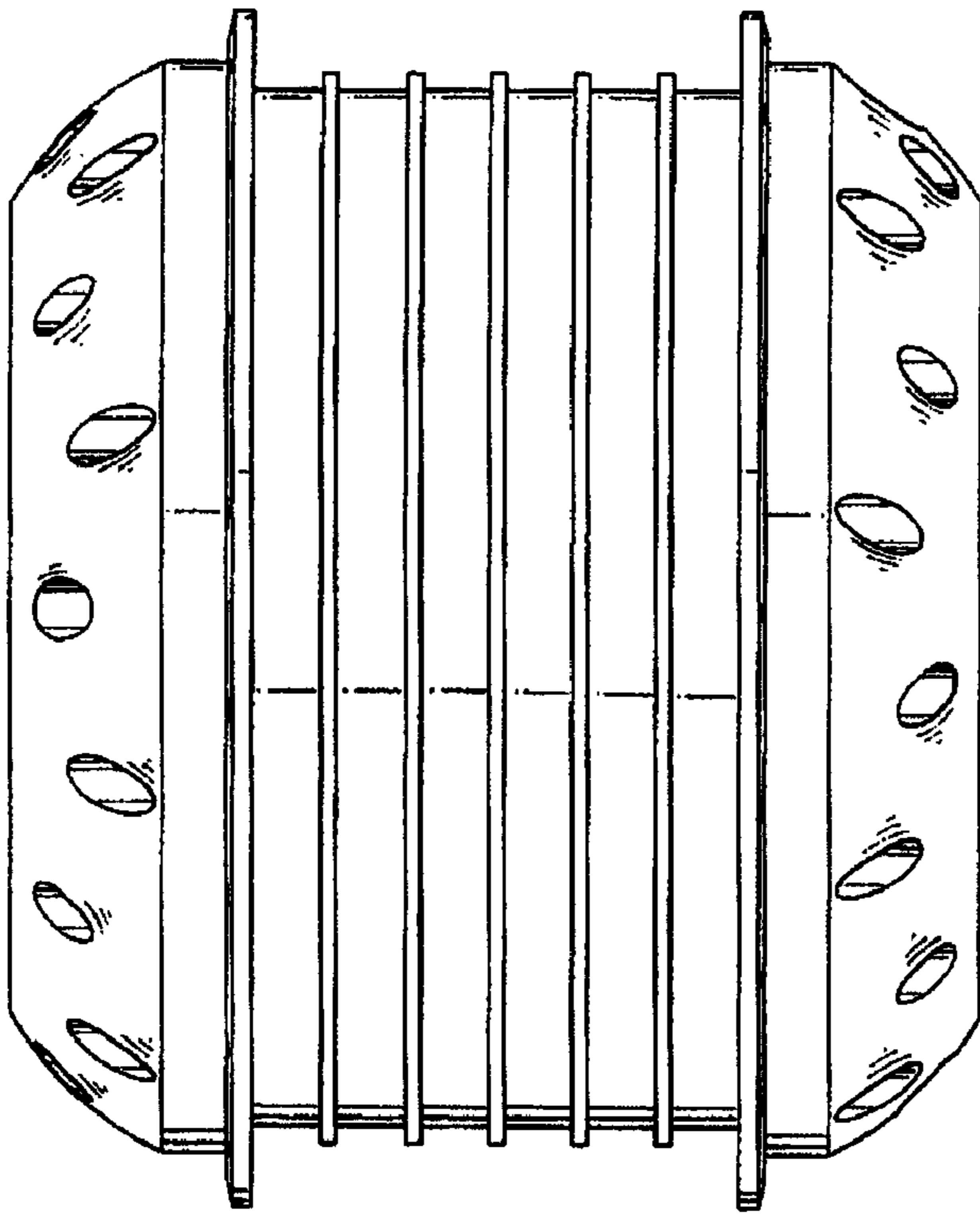


FIG. 4

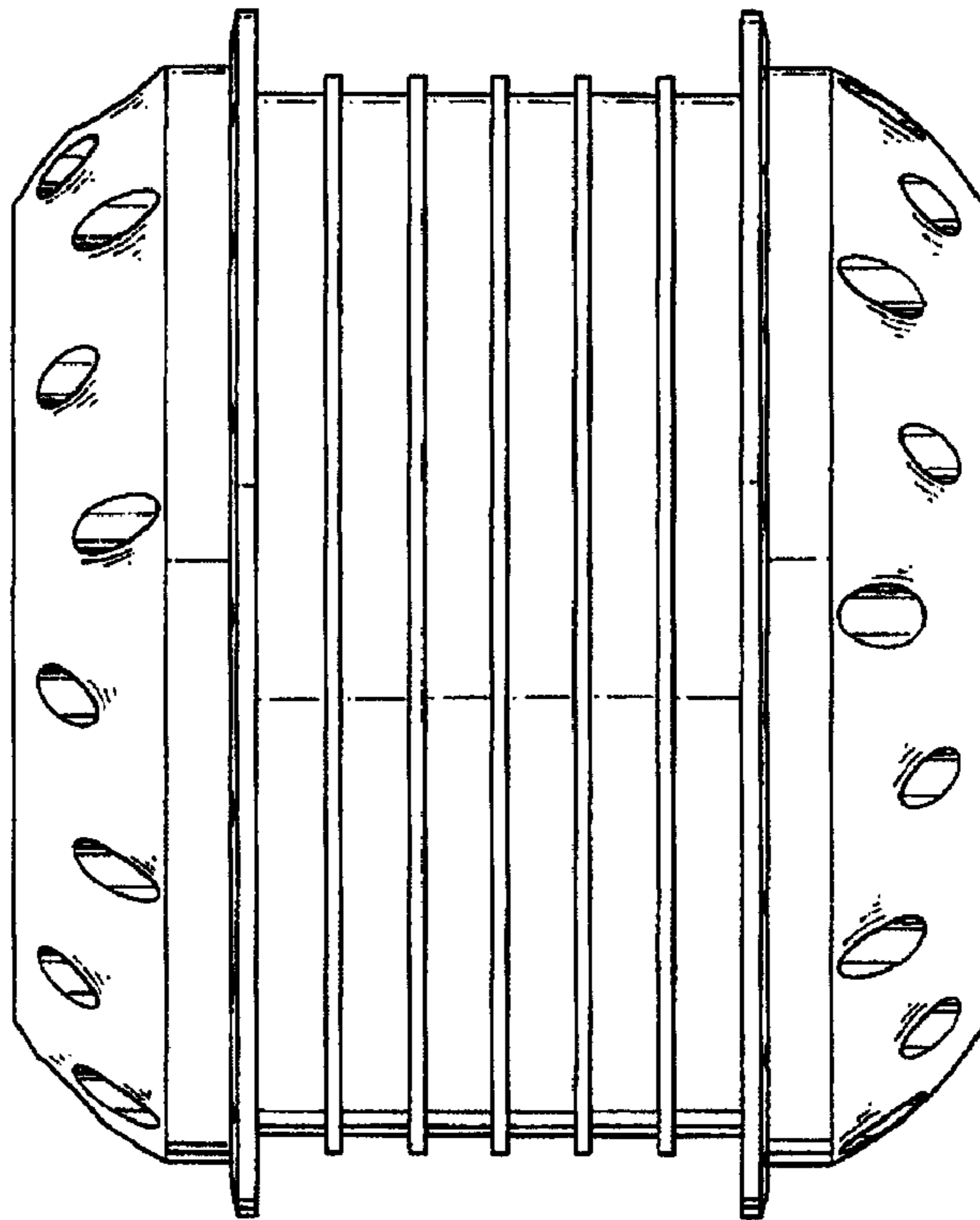


FIG. 5

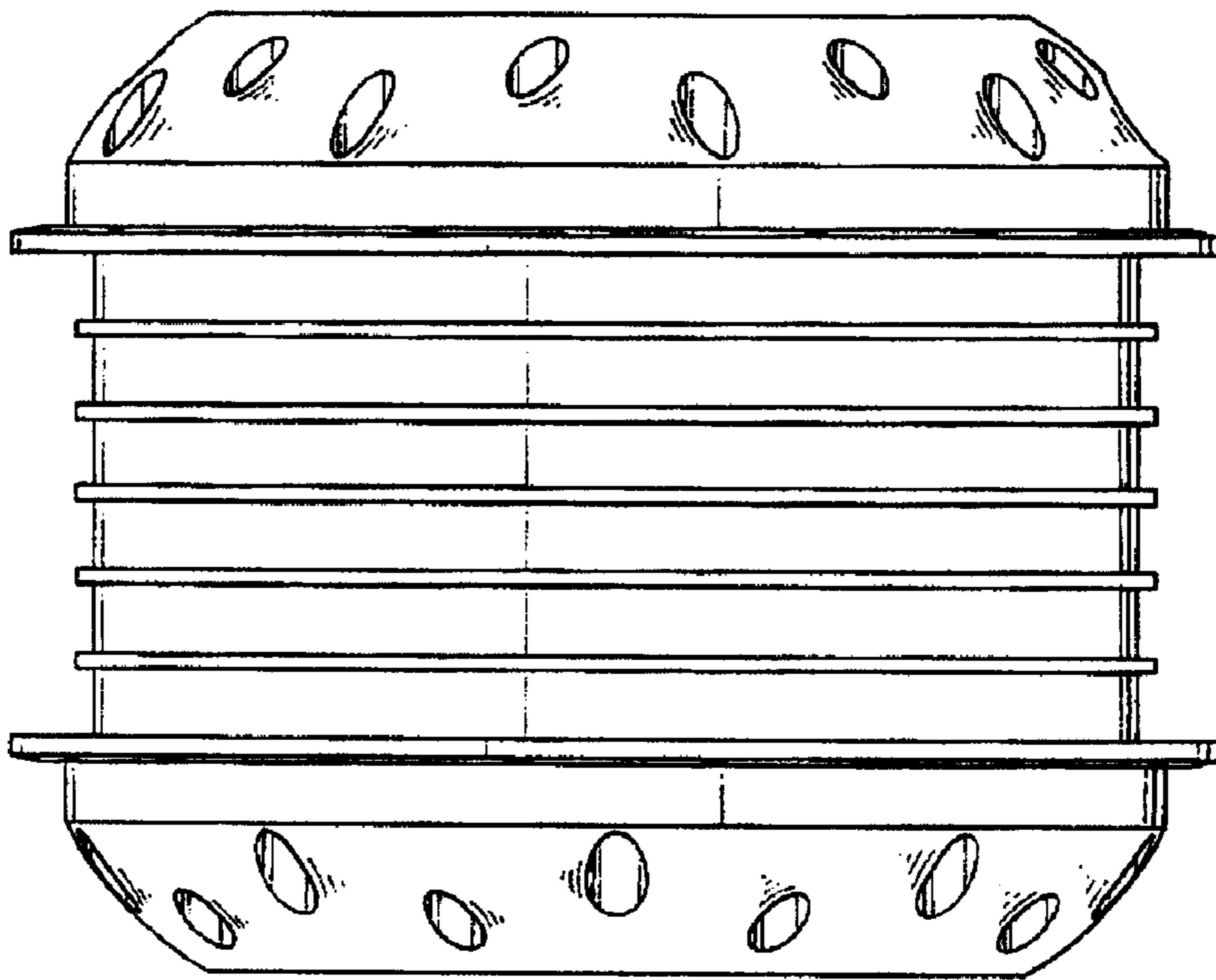


FIG. 6

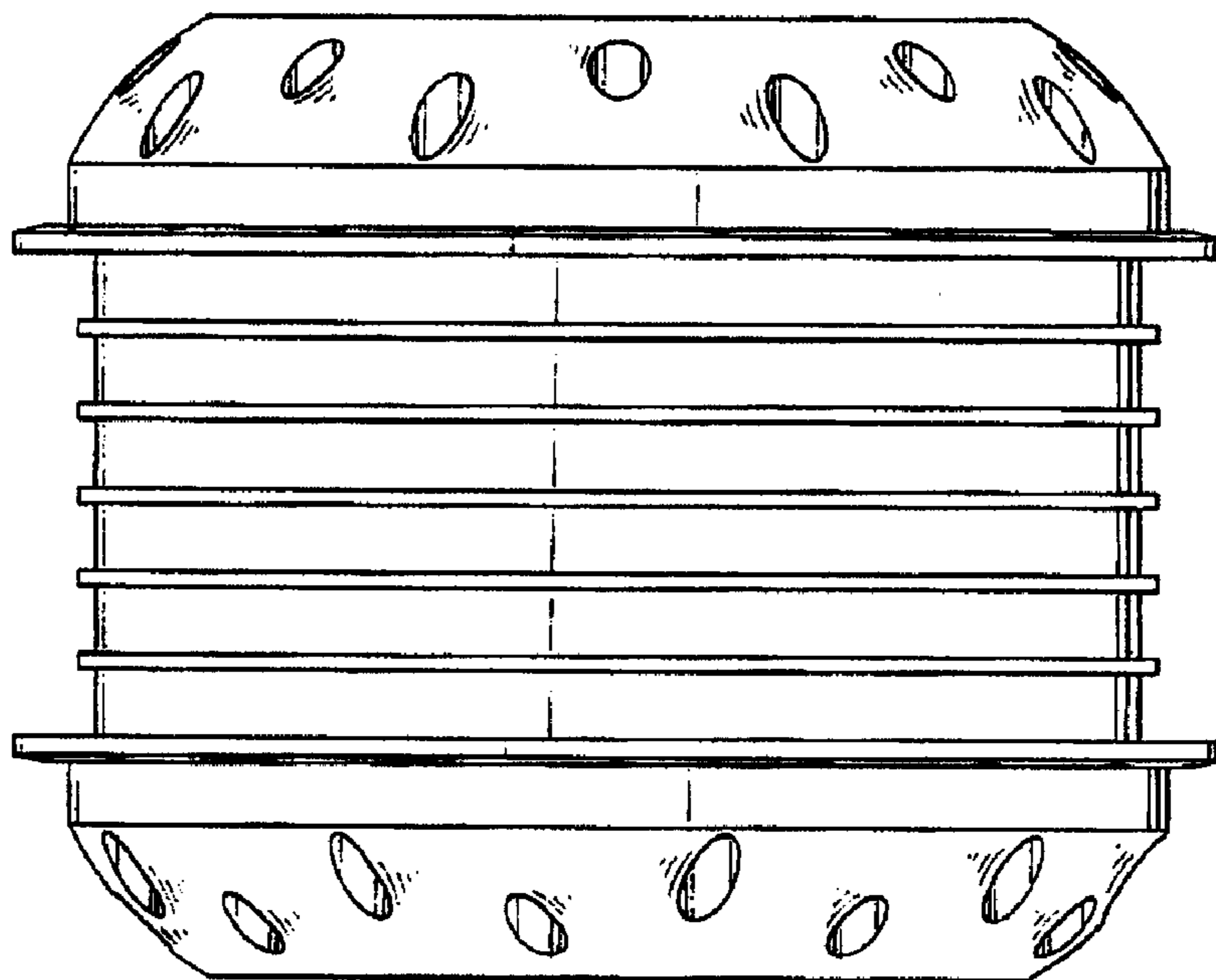


FIG. 7