



US00D528488S

(12) **United States Design Patent**
Webb

(10) **Patent No.:** **US D528,488 S**

(45) **Date of Patent:** **** Sep. 19, 2006**

(54) **MOTORCYCLE EXHAUST PIPE**

D500,712 S * 1/2005 Kudo et al. D12/110

(76) Inventor: **Terry Webb**, P O Box 219, Templeton,
CA (US) 93465

* cited by examiner

Primary Examiner—Alan P. Douglas

Assistant Examiner—Linda Brooks

(**) Term: **14 Years**

(57) **CLAIM**

(21) Appl. No.: **29/243,505**

The ornamental design for a motorcycle exhaust pipe, as shown and described.

(22) Filed: **Nov. 25, 2005**

DESCRIPTION

(51) **LOC (8) Cl.** **12-16**

(52) **U.S. Cl.** **D12/194**

(58) **Field of Classification Search** D12/110,
D12/194; D15/5; 180/89.2, 219, 225, 296,
180/309; 181/227, 228, 247-251, 264, 282;
29/890.08; 60/302, 313, 323; 138/37-39

See application file for complete search history.

FIG. 1 is left side view of a motorcycle exhaust pipe showing my new design;

FIG. 2 is a top plan view thereof;

FIG. 3 is a bottom elevation view thereof;

FIG. 4 is a rear elevation view thereof.

FIG. 5 is a right elevation view thereof; and,

FIG. 6 is a front elevation view thereof.

The broken lines shown in FIG. 1 and FIG. 4 are for illustrative purposes only and form no part of the claimed design.

(56) **References Cited**

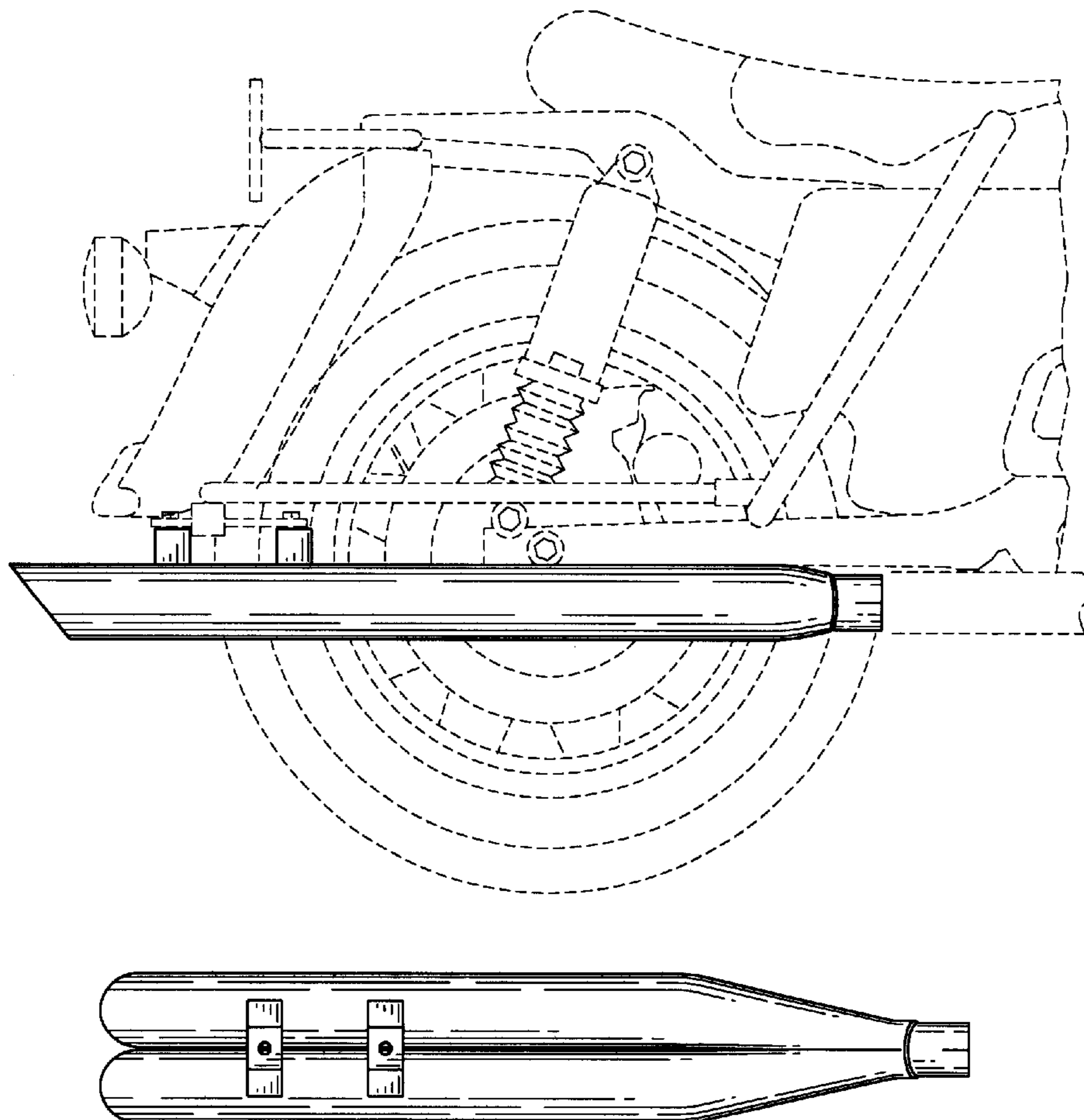
U.S. PATENT DOCUMENTS

4,621,494 A * 11/1986 Fujita 60/313

D483,710 S * 12/2003 James D12/194

D488,114 S * 4/2004 Kulla D12/194

1 Claim, 2 Drawing Sheets



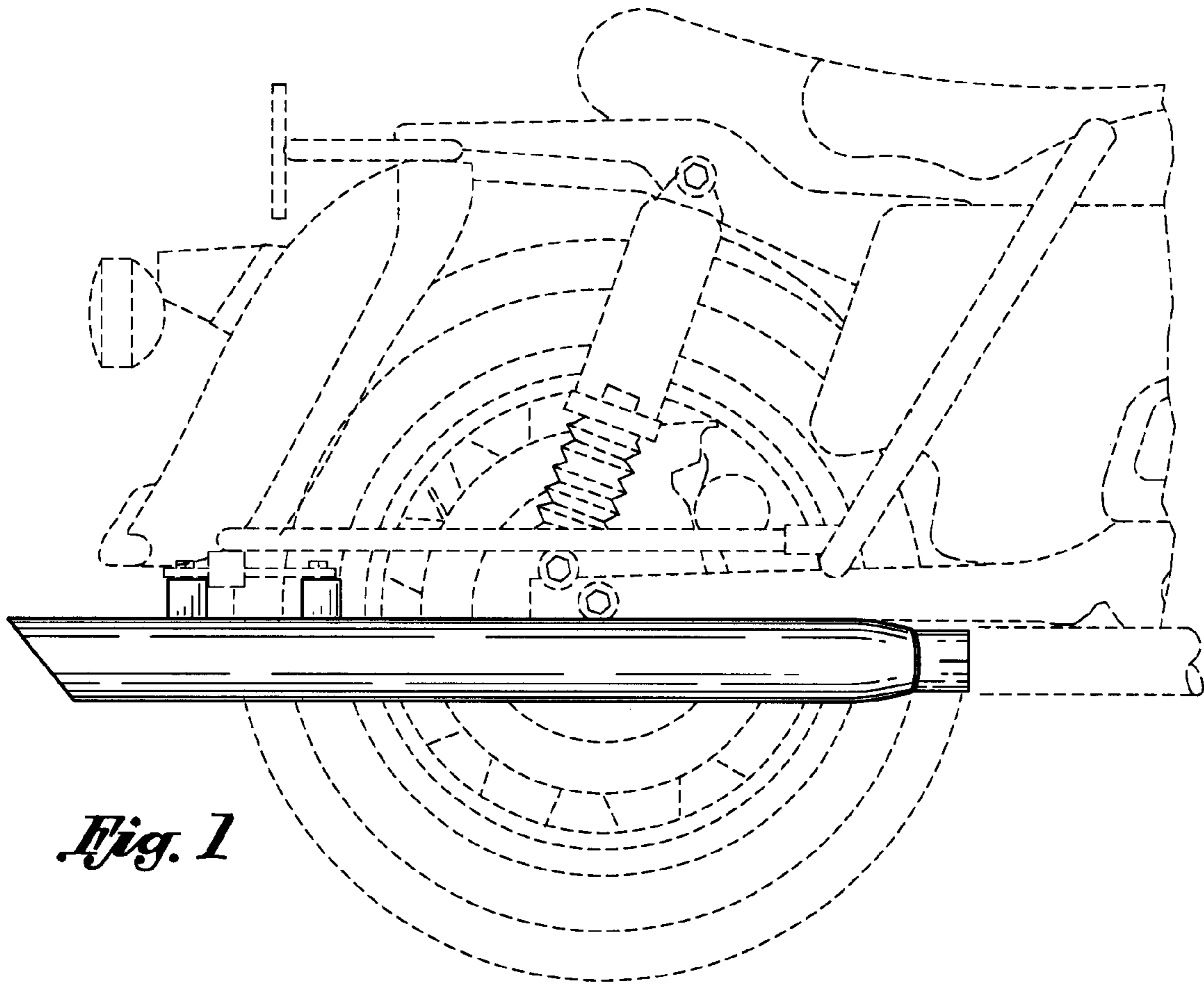


Fig. 1

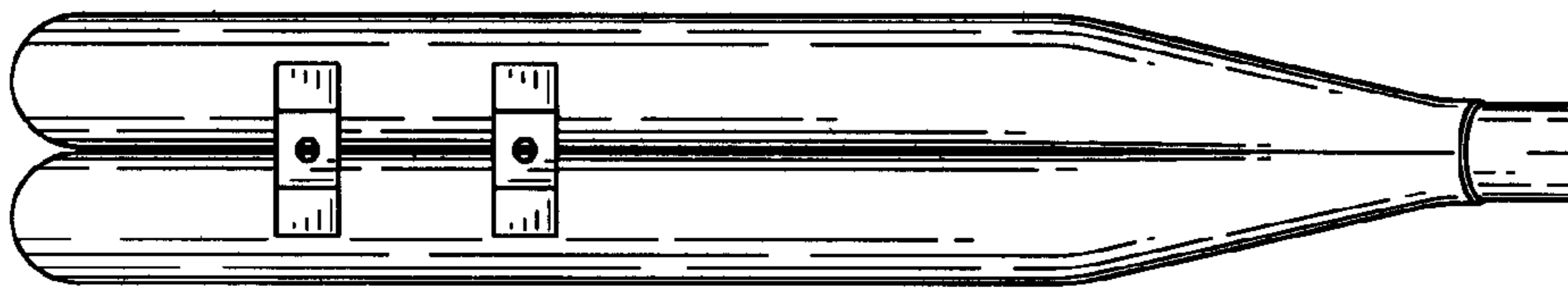


Fig. 2

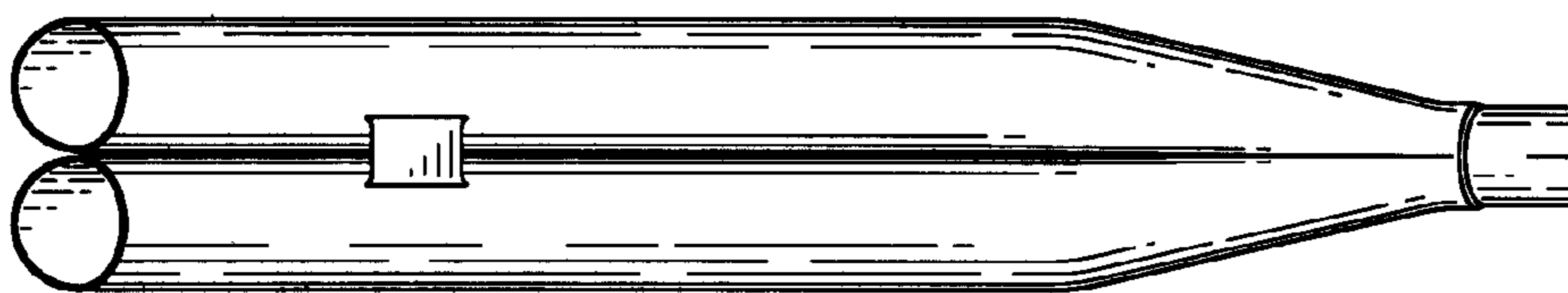


Fig. 3

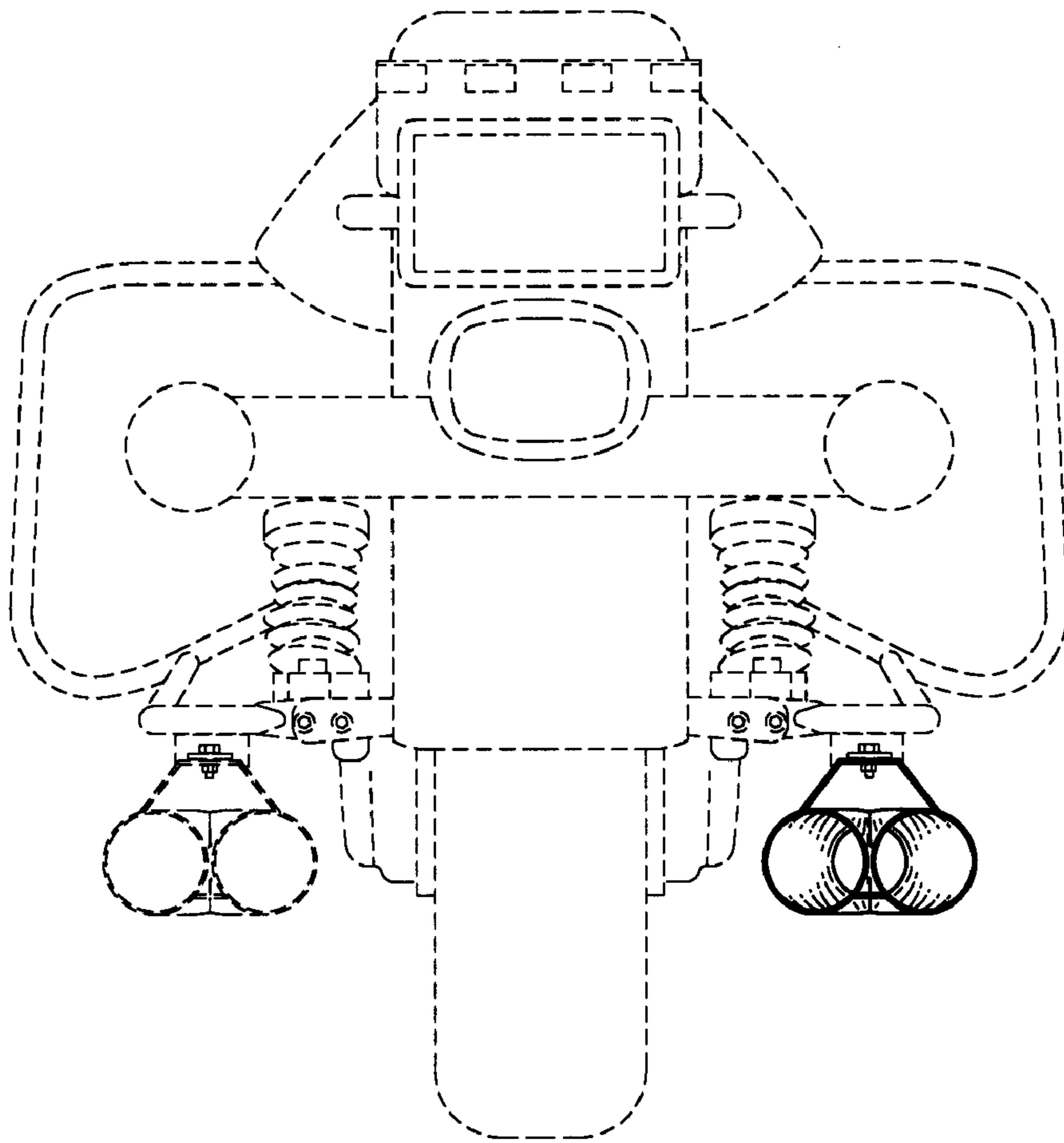


Fig. 4

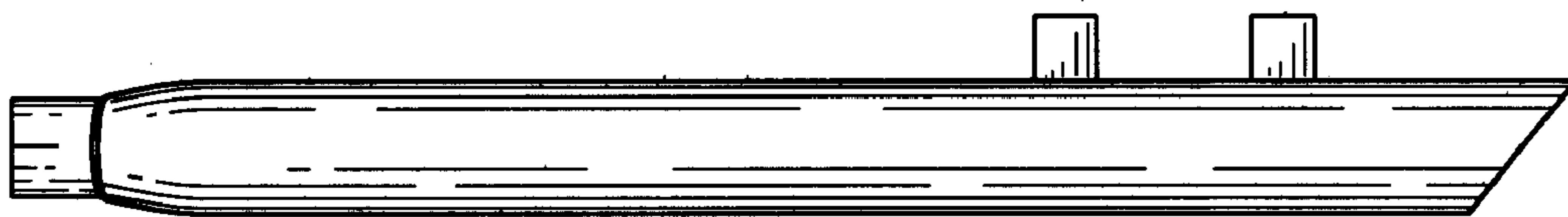


Fig. 5

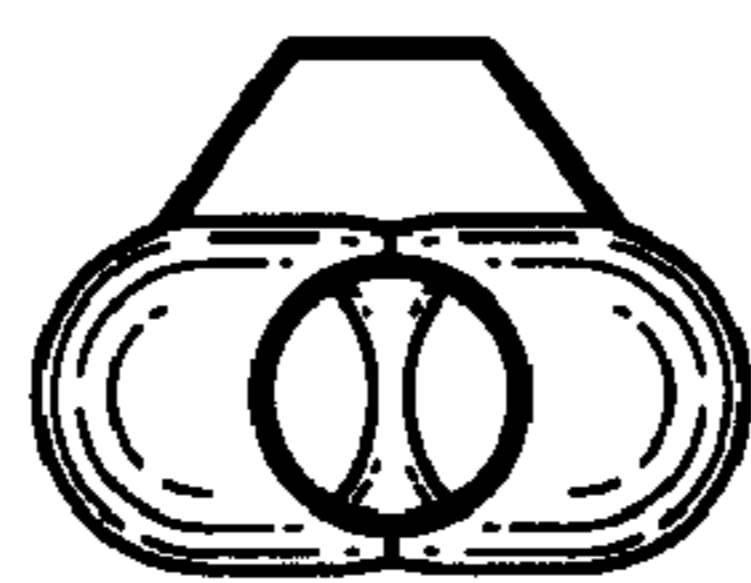


Fig. 6