



US00D528482S

(12) **United States Design Patent**  
**Hamburger**

(10) **Patent No.:** **US D528,482 S**

(45) **Date of Patent:** **\*\* Sep. 19, 2006**

(54) **VEHICLE HOOD SCOOP ATTACHMENT**

(75) Inventor: **Edward Hamburger**, Clarkston, MI  
(US)

(73) Assignee: **Advanced Composite Specialties-US, Inc.**, Toms River, NJ (US)

(\*\*) Term: **14 Years**

(21) Appl. No.: **29/229,160**

(22) Filed: **May 4, 2005**

(51) **LOC (8) Cl.** ..... **12-08**

(52) **U.S. Cl.** ..... **D12/181**

(58) **Field of Classification Search** ..... D12/181,  
D12/173, 196, 190, 400; 180/68.3, 68.6,  
180/69.25, 69.24, 89.12-89.14, 89.16; 296/180.1,  
296/91; 307/10.1, 10.8, 9.1; 340/468, 459,  
340/461, 472

See application file for complete search history.

(56) **References Cited**

**U.S. PATENT DOCUMENTS**

D212,877 S	*	12/1968	Kraus	.....	D12/181
D216,876 S	*	3/1970	Gale	.....	D15/31
4,996,442 A	*	2/1991	Wayne	.....	307/10.1
5,136,276 A	*	8/1992	Wayne	.....	340/461
D457,471 S	*	5/2002	Simcox	.....	D12/173
D464,006 S	*	10/2002	Hoyle, Jr.	.....	D12/173

D474,721 S	*	5/2003	Hoyle, Jr.	.....	D12/173
D491,503 S	*	6/2004	Zyskowski	.....	D12/190
D508,665 S	*	8/2005	Chan	.....	D12/173

\* cited by examiner

*Primary Examiner*—Stacia Cadmus

(74) *Attorney, Agent, or Firm*—MacMillan, Sobanski & Todd, LLC

(57) **CLAIM**

The ornamental design for a vehicle hood scoop attachment, as shown and described.

**DESCRIPTION**

FIG. 1 is a top plan view of a vehicle hood scoop attachment showing my new design;

FIG. 2 is a perspective view thereof as seen from the upper front right;

FIG. 3 is a bottom view thereof;

FIG. 4 is a rear elevational view thereof;

FIG. 5 is a front elevational view thereof;

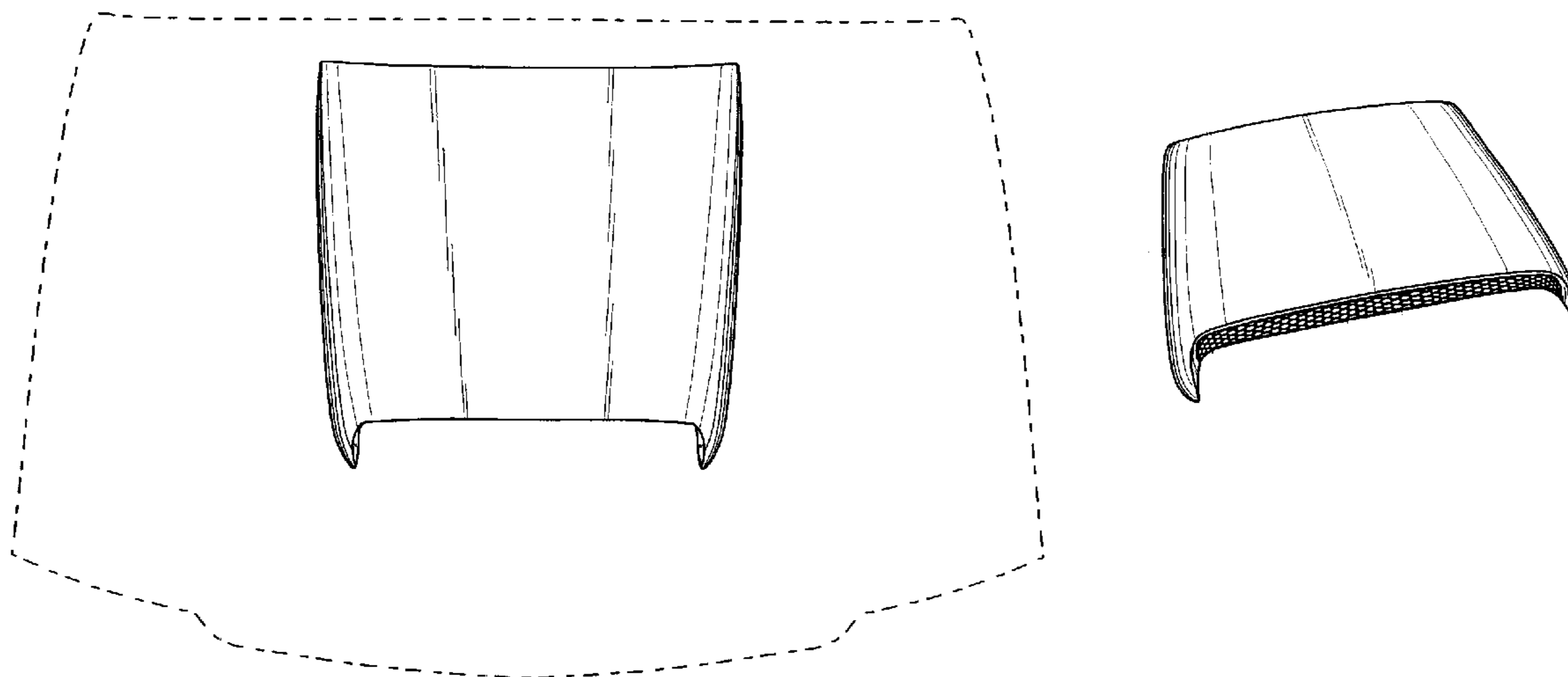
FIG. 6 is a left side elevational view thereof; and,

FIG. 7 is a right side elevational view thereof.

The broken lines in FIG. 1 is for illustrative purposes only and form no part of the claimed design.

The broken lines in FIG. 3 outline a portion of the bottom of the vehicle hood scoop attachment which is not visible during use and forms no part of the claimed design.

**1 Claim, 1 Drawing Sheet**



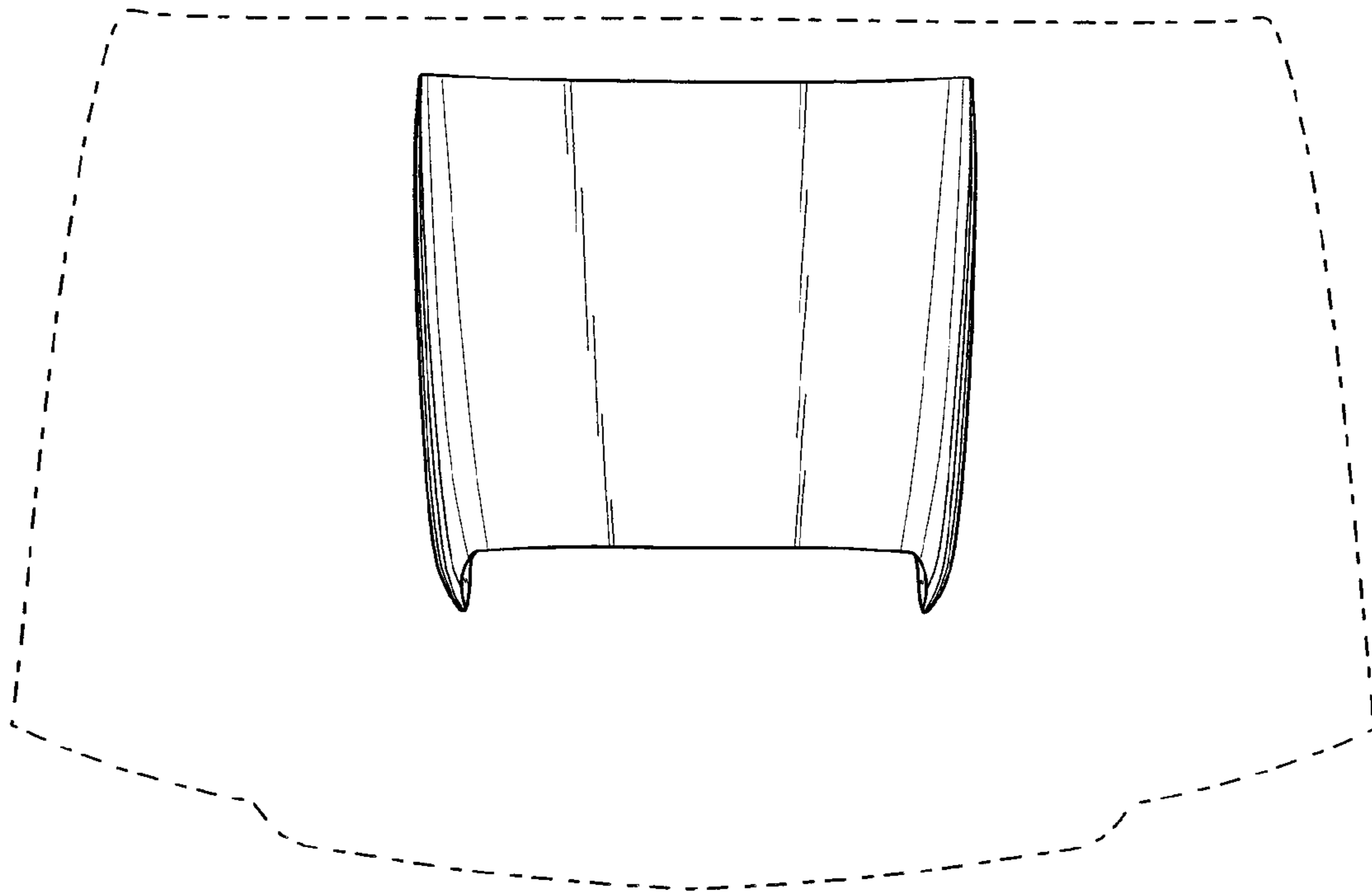


FIG. 1

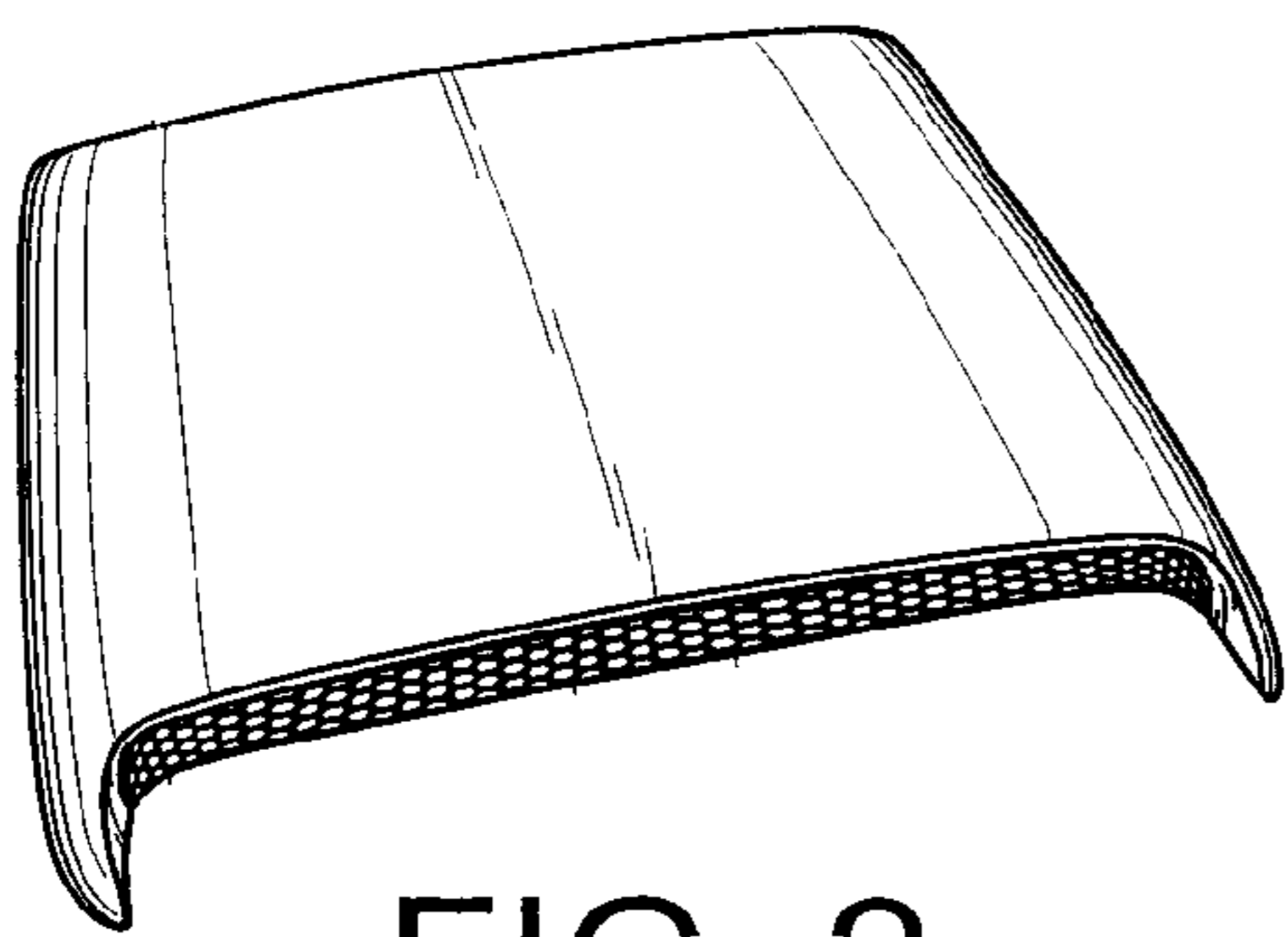


FIG. 2

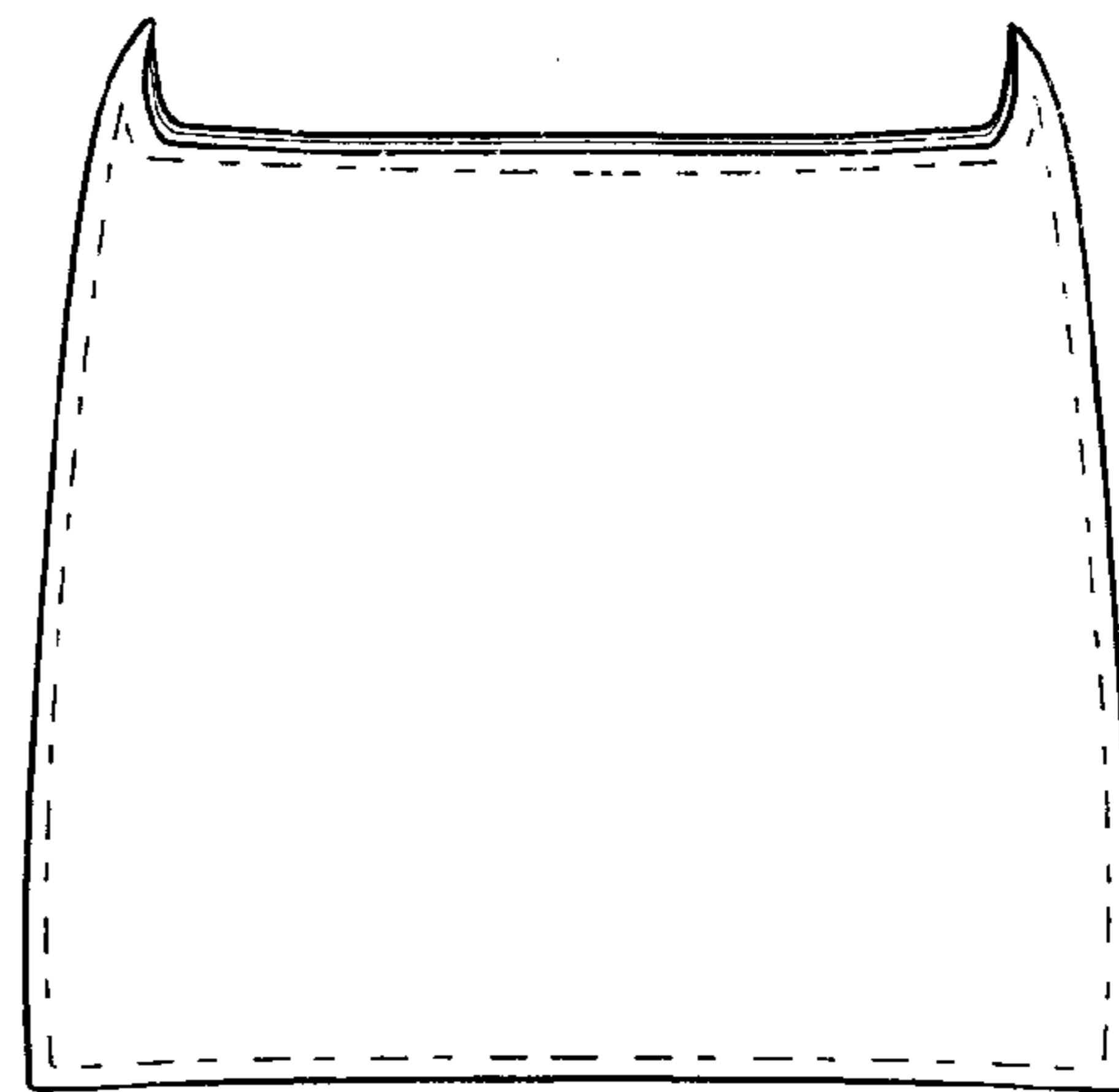


FIG. 3

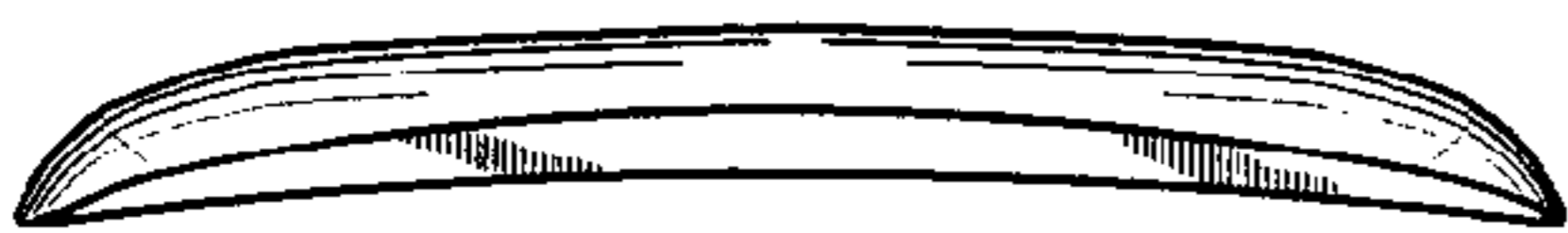


FIG. 4

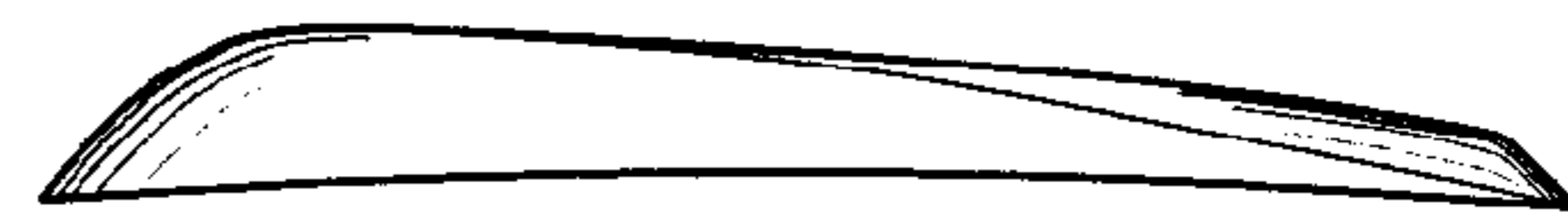


FIG. 6



FIG. 5

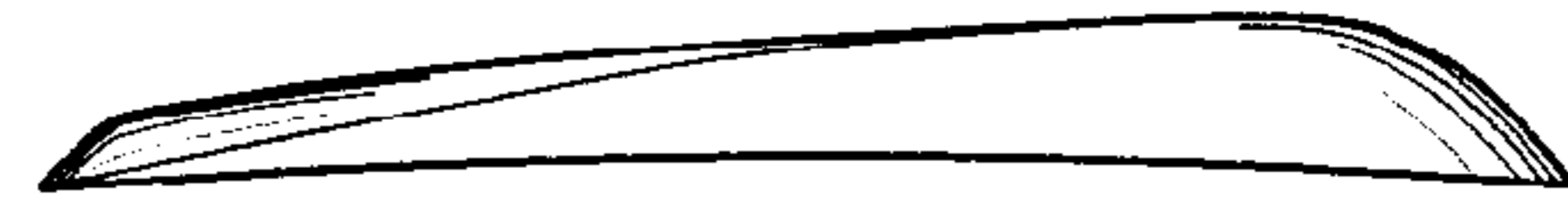


FIG. 7