



US00D528481S

(12) **United States Design Patent** (10) **Patent No.:** **US D528,481 S**
Taveras (45) **Date of Patent:** **** Sep. 19, 2006**

(54) **VEHICLE GUARD**

D480,996 S * 10/2003 Takei D12/163
D483,708 S * 12/2003 Roehmer et al. D12/171

(76) Inventor: **Luis R. Taveras**, 41 St. Nicholas Ter.,
New York, NY (US) 10027

OTHER PUBLICATIONS

(**) Term: **14 Years**

Copy of Web Page: <http://trucktoys4less.com/wegrqu.html>
Date: Apr. 9, 2004.

(21) Appl. No.: **29/204,031**

Copy of Web Page: <http://truckaccessorysuperstore.com/default.plx/32/1010> Date: Apr. 9, 2004.

(22) Filed: **Apr. 22, 2004**

Copy of Web Page: <http://www.truckaddons.com/Catalog/subpages/WestinGrillGuards.htm> Date: Apr. 9, 2004.

(51) **LOC (8) Cl.** **12-16**

Copy of Web Page: <http://www.aztrucks.com/Category.asp?product=181> Date: Apr. 9, 2004.

(52) **U.S. Cl.** **D12/171**

Copy of Web Page: <http://www.truckstuffusa.com/push-barandbru.html> Date: Apr. 9, 2004.

(58) **Field of Classification Search** D12/163,
D12/90-92, 171; 180/86.1, 86.2; 296/194
See application file for complete search history.

* cited by examiner

(56) **References Cited**

Primary Examiner—Melody N. Brown
(74) *Attorney, Agent, or Firm*—The Martinez Group PLLC;
Mark Sgantzos

U.S. PATENT DOCUMENTS

D116,070 S	8/1939	Walklet	
D118,407 S	1/1940	Poncher	
D120,521 S	5/1940	Bahr	
2,215,001 A	9/1940	Jandus	
2,246,752 A	6/1941	Paddock	
2,250,565 A	7/1941	Bahr	
2,314,600 A	3/1943	Reyburn	
2,580,775 A	1/1952	Helms	
4,469,360 A	9/1984	Drury	
D307,256 S	4/1990	Holland	
D319,205 S	* 8/1991	Heck	D12/171
5,062,675 A	11/1991	Rhoden	
D410,879 S	* 6/1999	Orth, Sr.	D12/171
5,941,329 A	8/1999	Ichioka	
D416,219 S	* 11/1999	Waanenaar	D12/171
D427,121 S	* 6/2000	Hartog	D12/171
D440,530 S	* 4/2001	Geisler	D12/171
D475,955 S	* 6/2003	Leazenby	D12/163
6,572,163 B1	6/2003	Pickett	

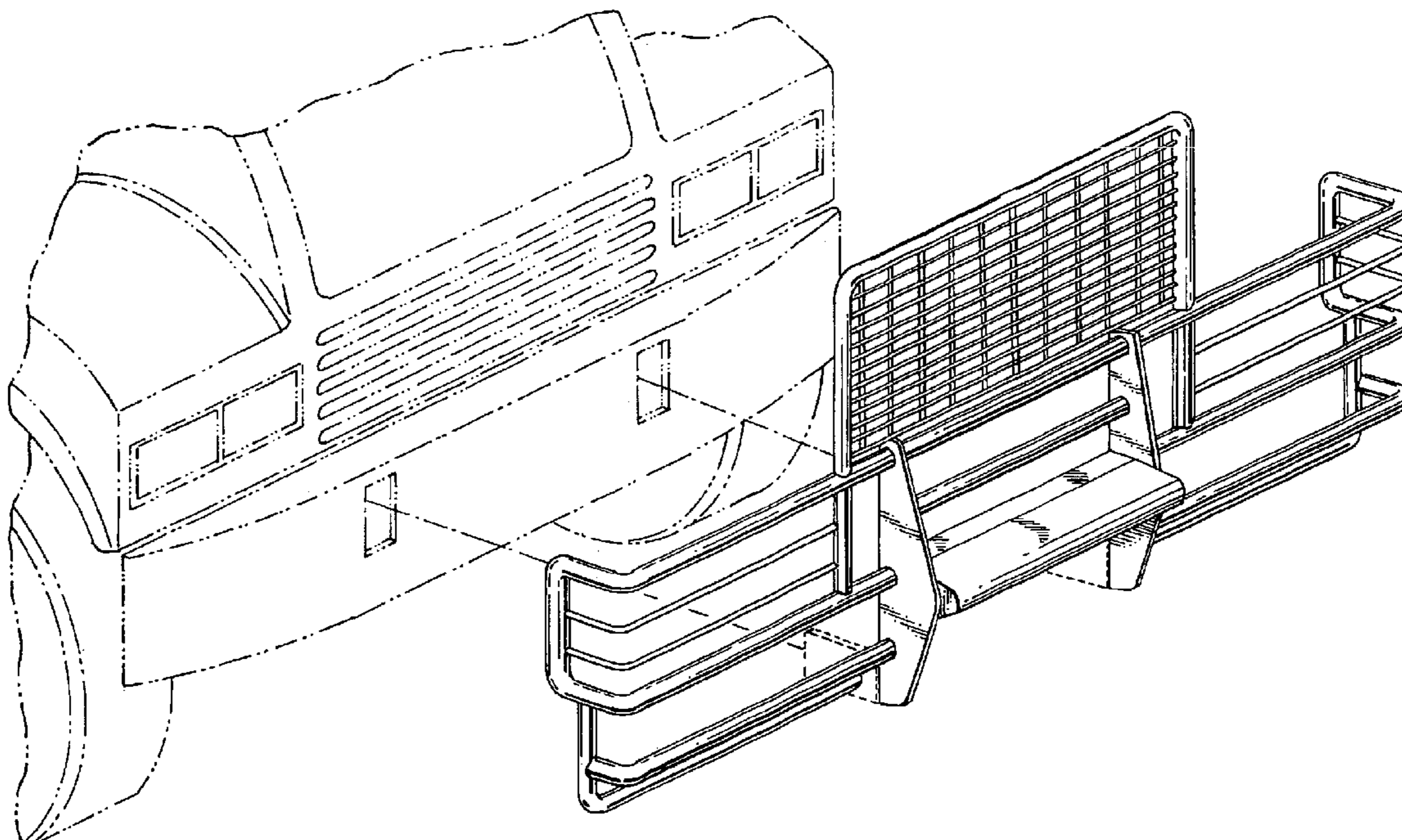
(57) **CLAIM**

The ornamental design for the vehicle guard, as shown and described.

DESCRIPTION

FIG. 1 is a front perspective view of a vehicle guard, showing my new design;
FIG. 2 is a front elevational view thereof;
FIG. 3 is a rear elevational view thereof;
FIG. 4 is a left side view of the vehicle guard, the other side being a mirror image thereof; and,
FIG. 5 is a top plan view thereof.
The broken lines shown in FIG. 1 are for illustrative purposes only and form no part of the claimed design.

1 Claim, 4 Drawing Sheets



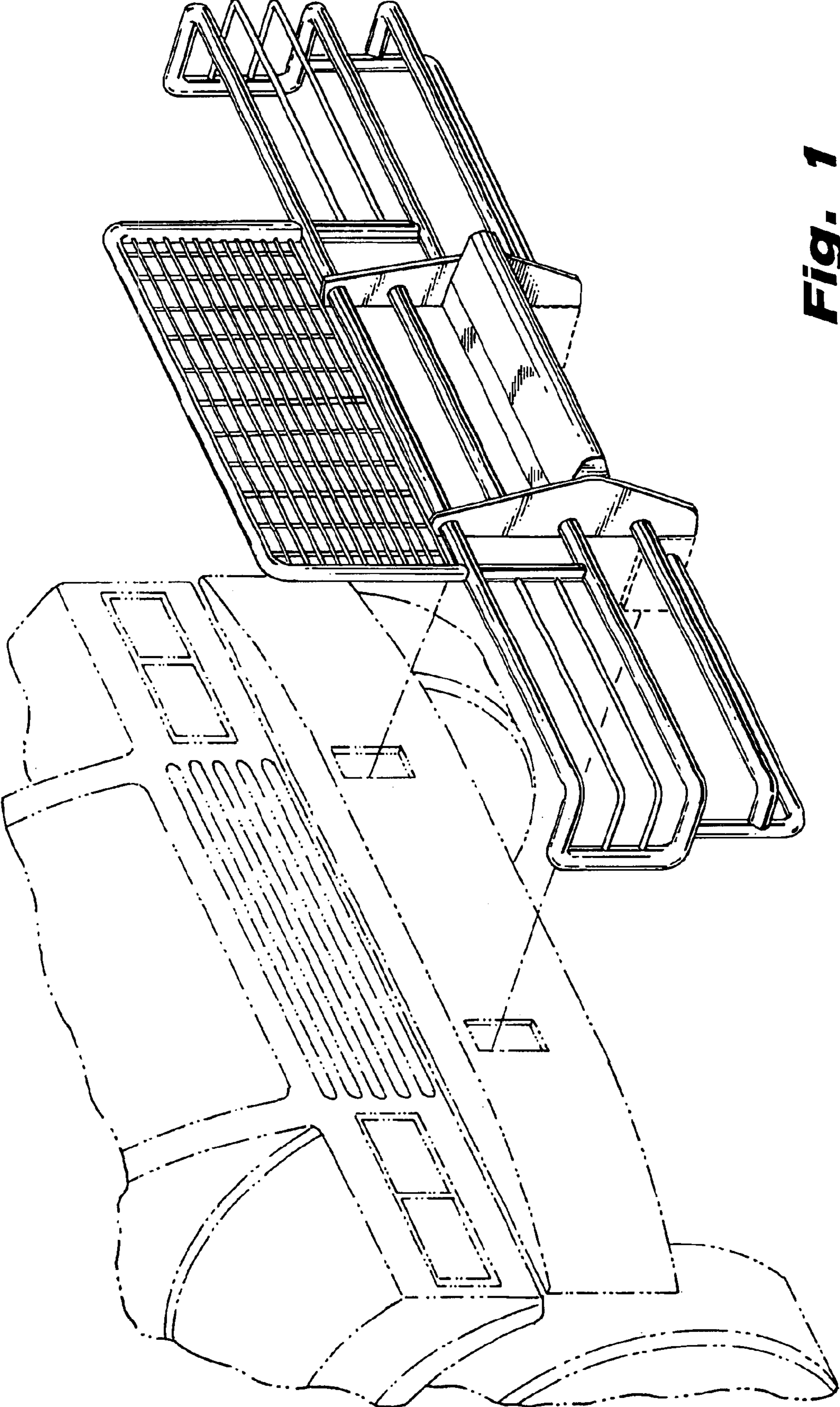


Fig. 1

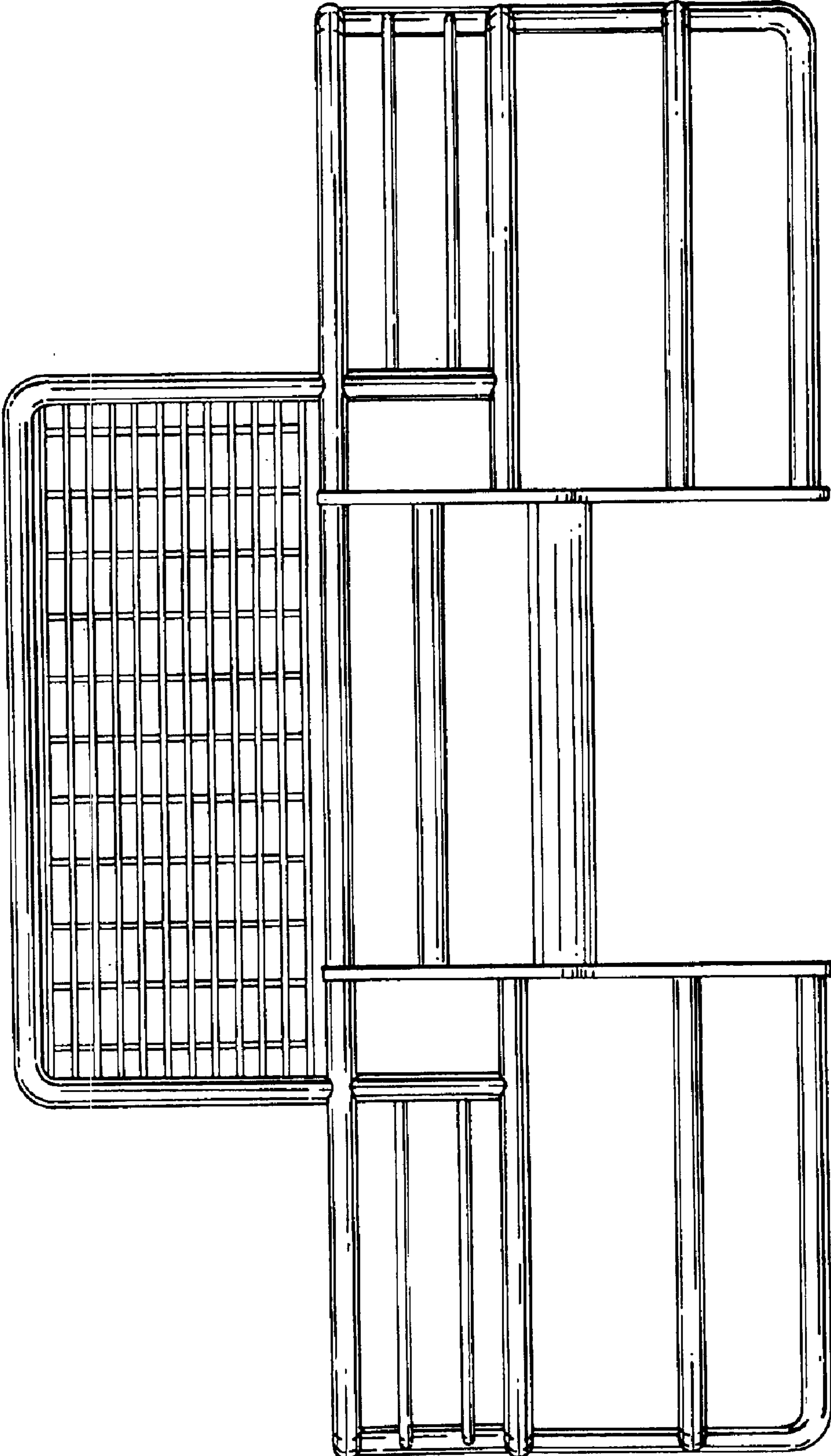


Fig. 2

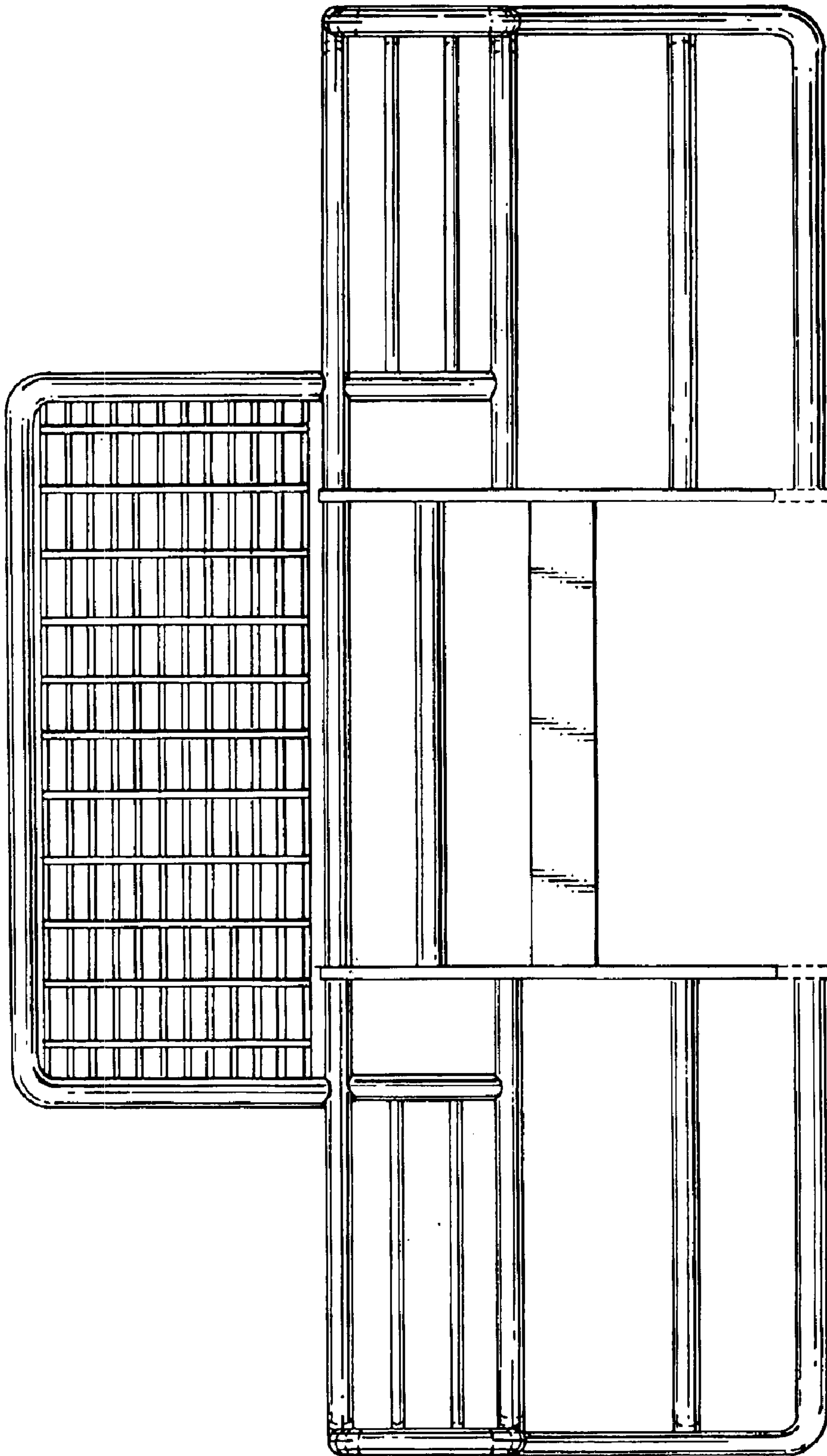


Fig. 3

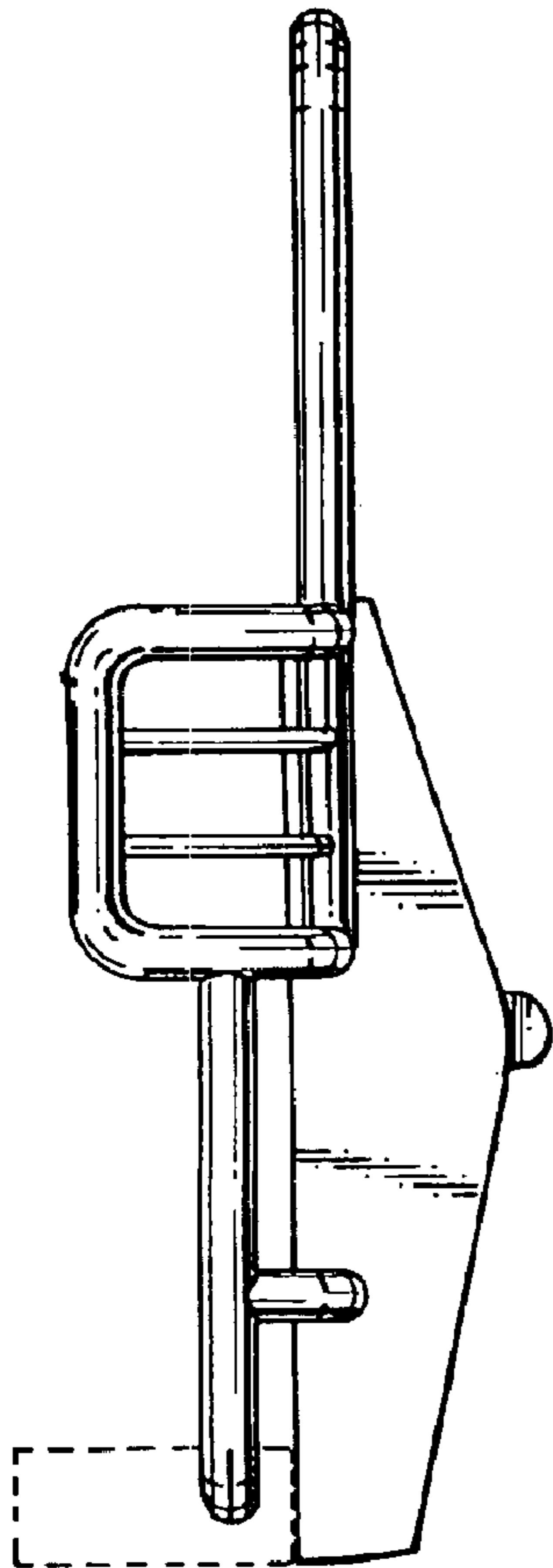


Fig. 4

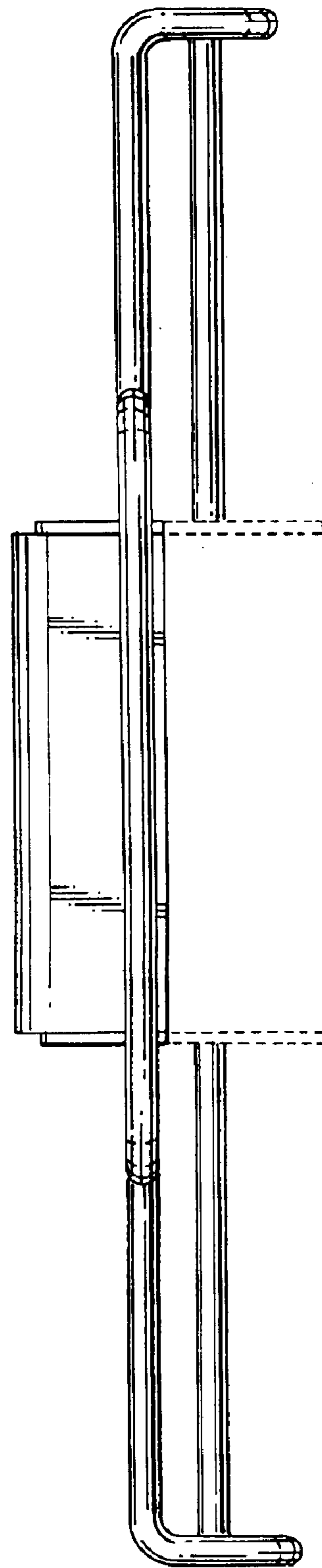


Fig. 5