

US00D528479S

(12) **United States Design Patent**  
**Kende**

(10) **Patent No.:** **US D528,479 S**

(45) **Date of Patent:** **\*\* Sep. 19, 2006**

(54) **WALKER**

D417,417 S \* 12/1999 Keegan et al. .... D12/130  
D474,187 S \* 5/2003 Hsu ..... D14/445

(76) Inventor: **Marci Kende**, 6513 Kenhill Rd.,  
Bethesda, MD (US) 20817

\* cited by examiner

(\*\*) Term: **14 Years**

*Primary Examiner*—Marcus A. Jackson  
(74) *Attorney, Agent, or Firm*—Troutman Sanders LLP

(21) Appl. No.: **29/236,589**

(57) **CLAIM**

(22) Filed: **Aug. 18, 2005**

The ornamental design for a walker, as shown and described.

(51) **LOC (8) Cl.** ..... **12-12**

(52) **U.S. Cl.** ..... **D12/130**

(58) **Field of Classification Search** ..... D12/128–133;  
280/87.051, 87.021, 242.1, 250.1; 297/DIG. 4,  
297/5; 135/66, 67

**DESCRIPTION**

See application file for complete search history.

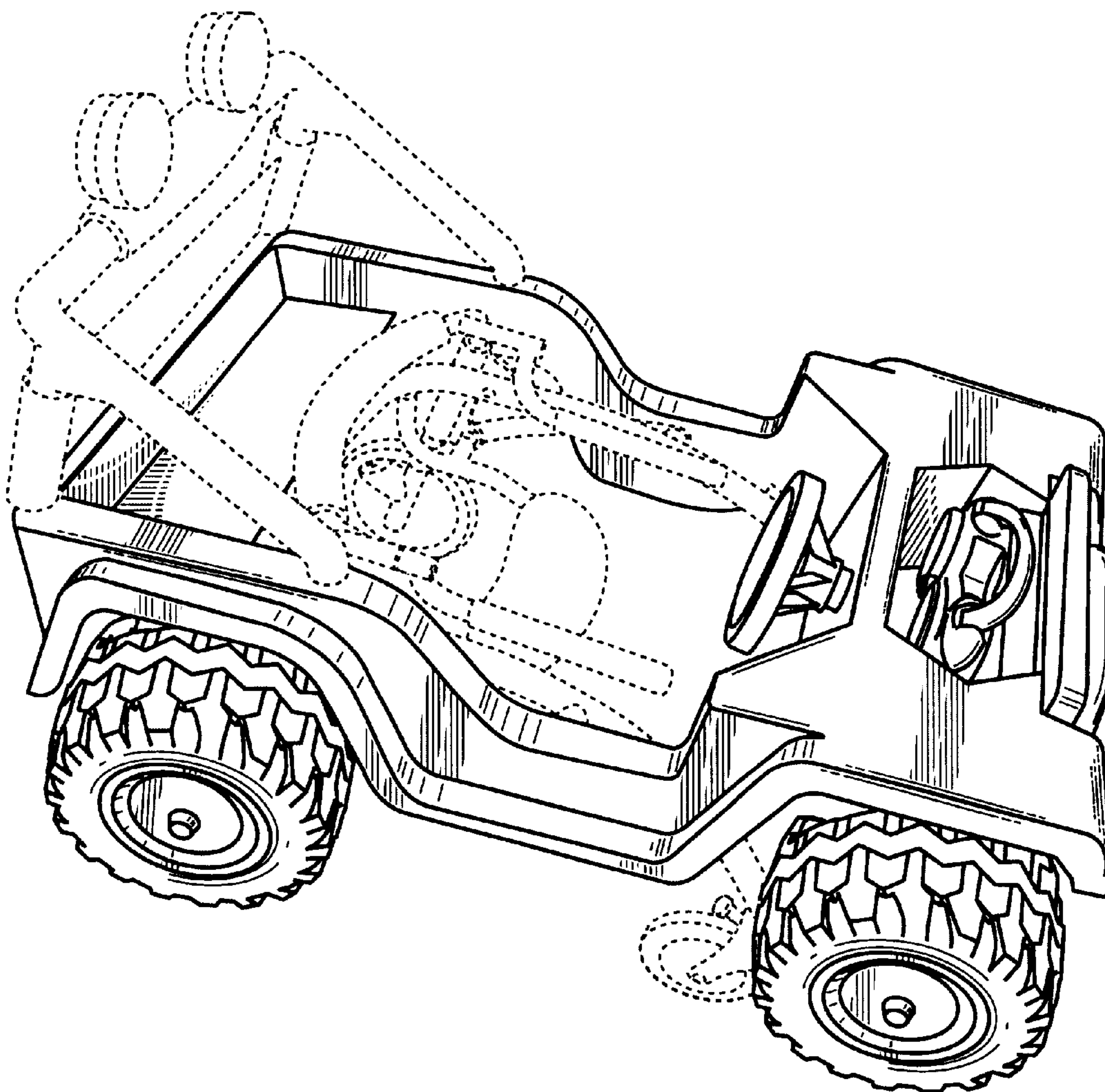
FIG. 1 is a perspective view of my new walker;  
FIG. 2 is a side view thereof, with the opposite side being a  
mirror image;  
FIG. 3 is a front view thereof;  
FIG. 4 is a back view thereof; and,  
FIG. 5 is a top view thereof.

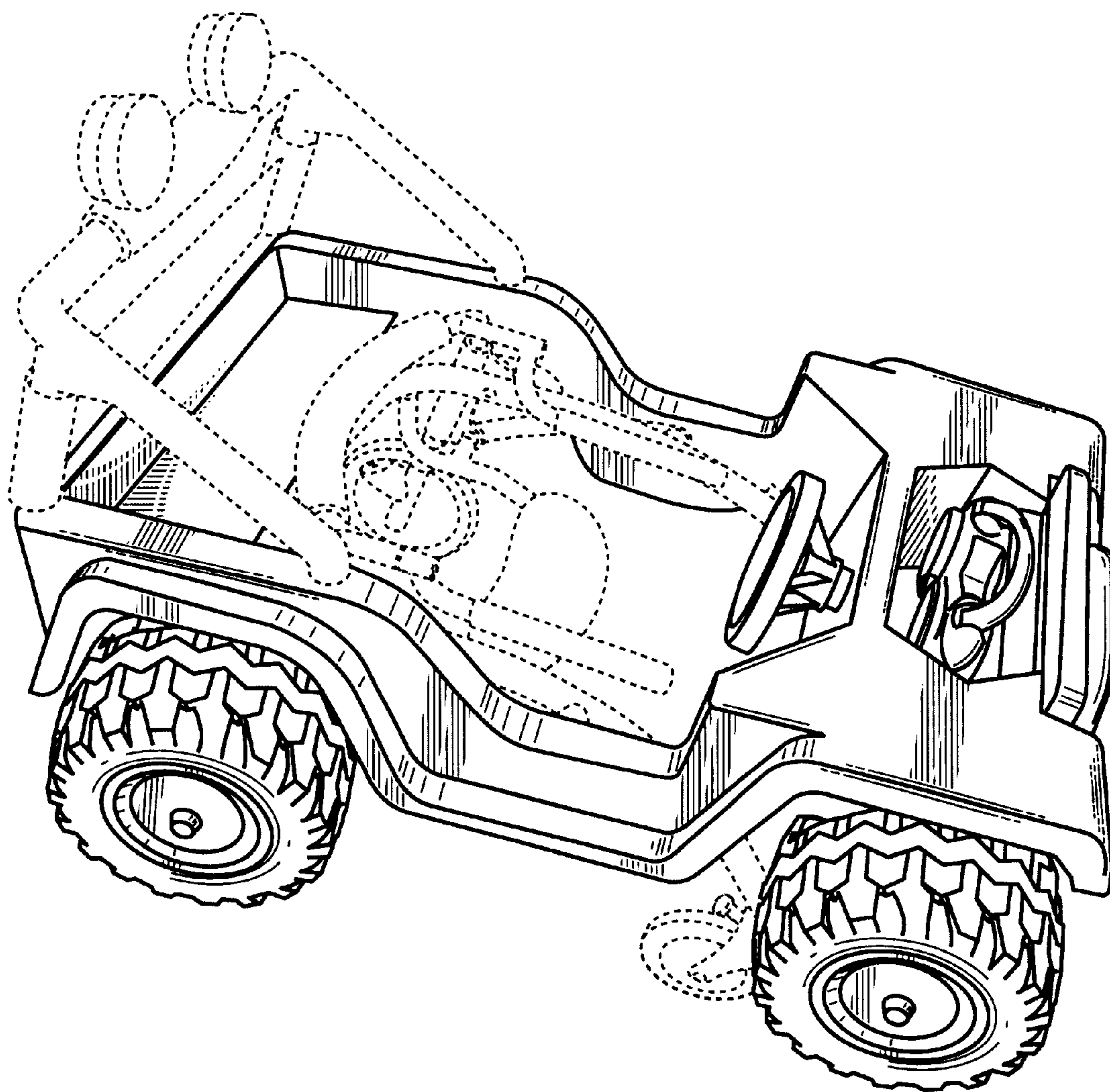
(56) **References Cited**

**U.S. PATENT DOCUMENTS**

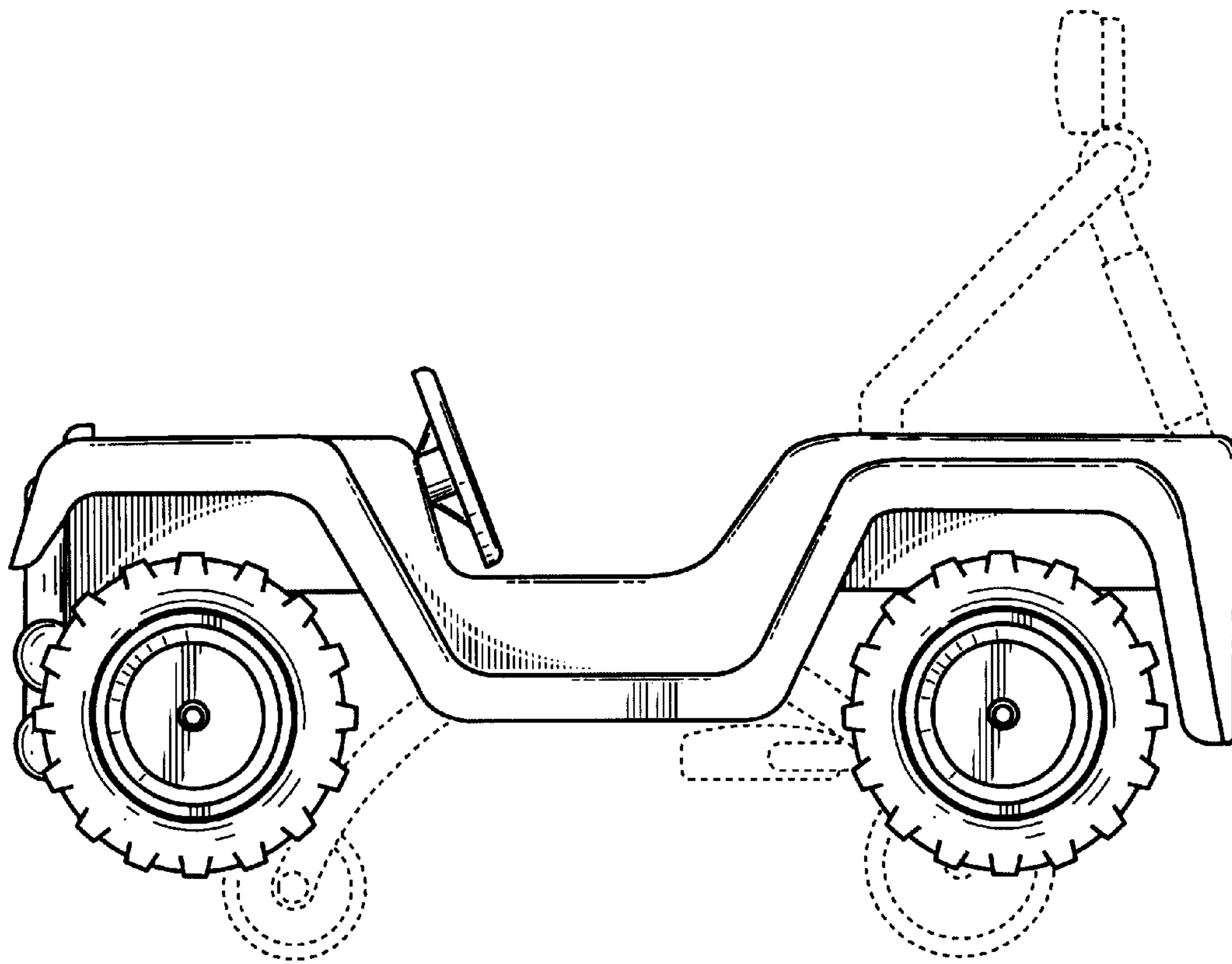
D400,129 S \* 10/1998 Udelhoven ..... D12/130

**1 Claim, 4 Drawing Sheets**

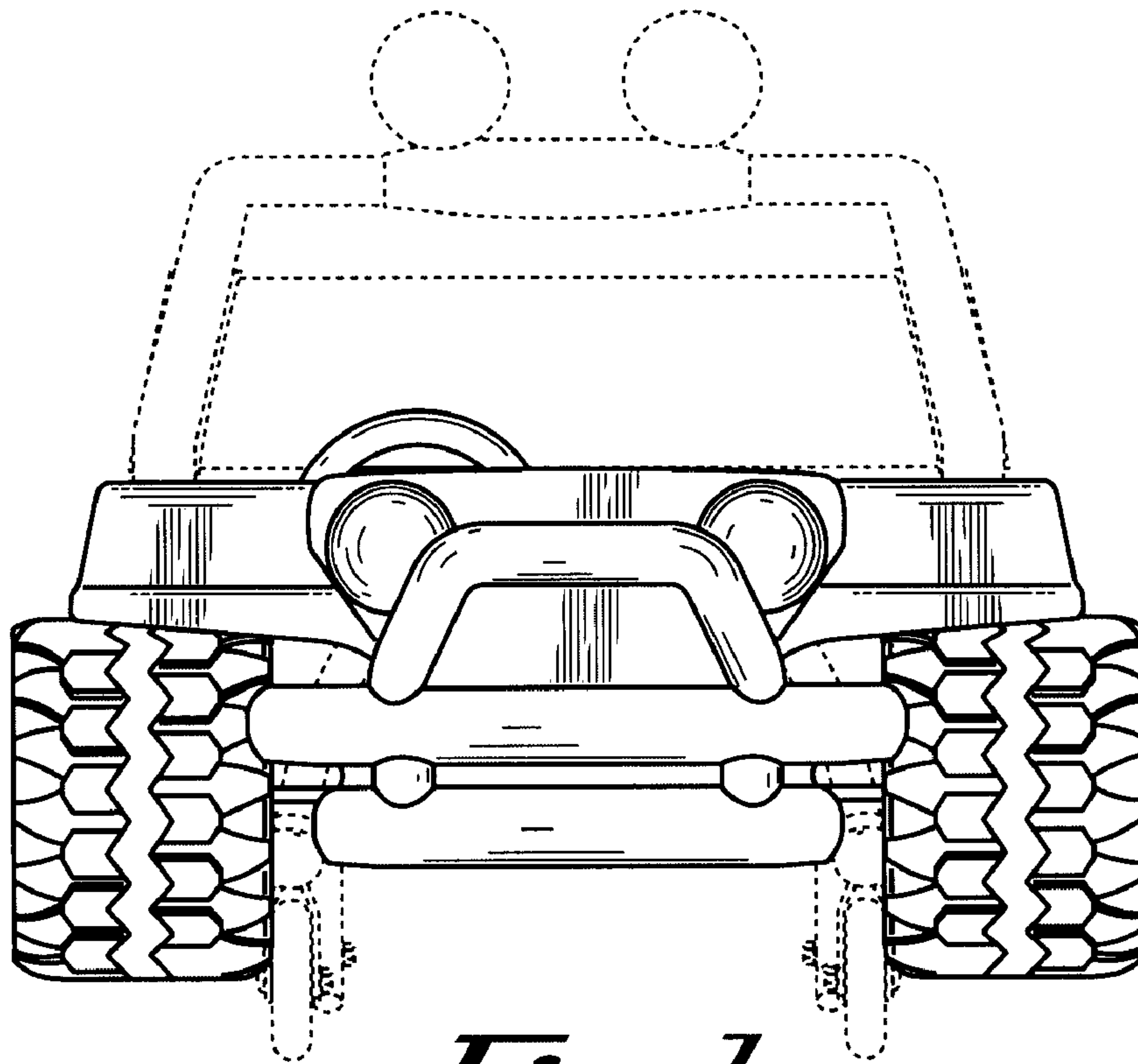




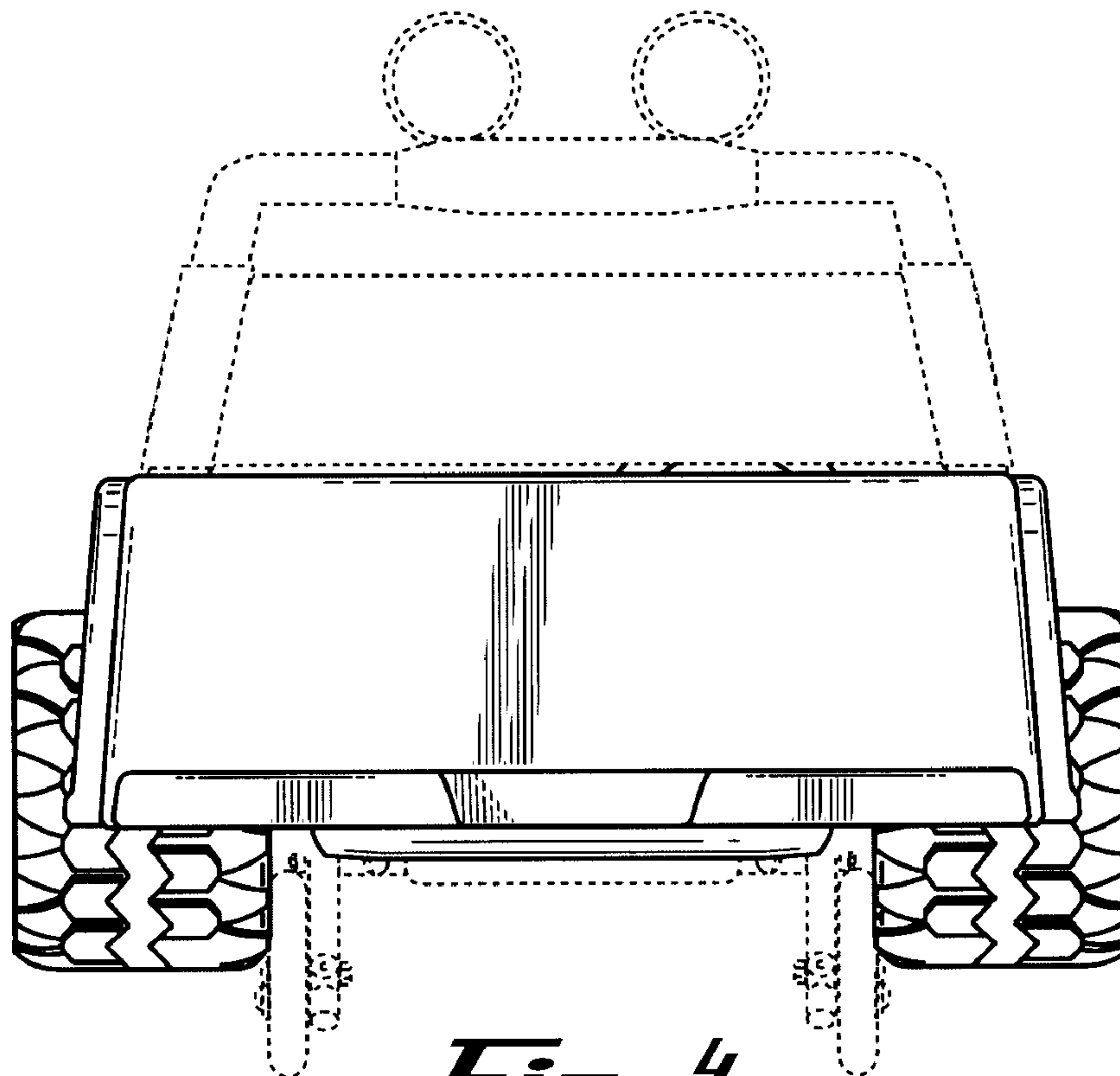
*Fig. 1*



*Fig. 2*

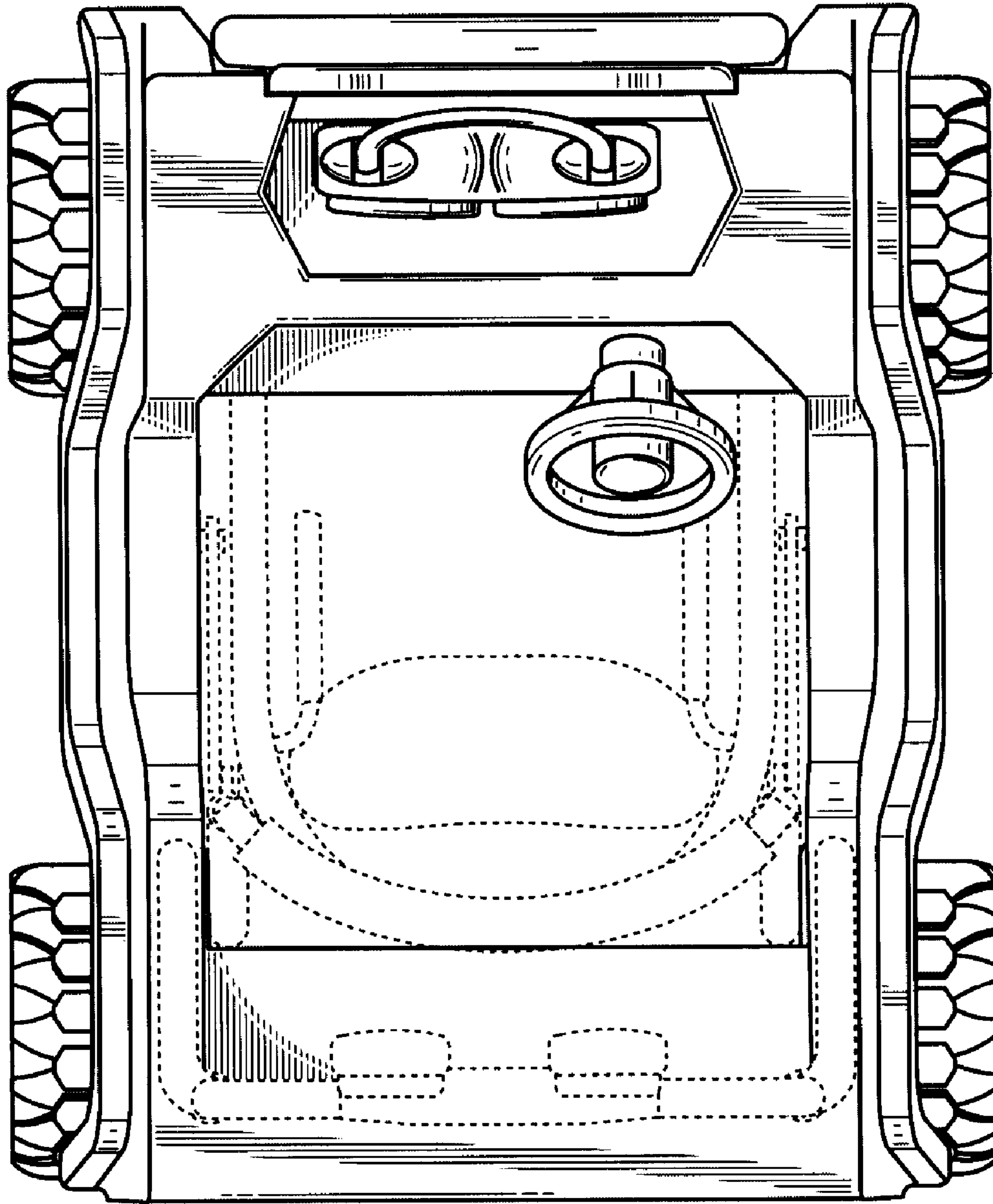


*Fig. 3*



*Fig. 4*





*Fig. 5*