



US00D528476S

(12) **United States Design Patent**
Stahel et al.

(10) **Patent No.:** **US D528,476 S**
(45) **Date of Patent:** **** Sep. 19, 2006**

(54) **MOTORCYCLE FOLDING FLOORBOARD WITH BRAKE ARM CLEARANCE**

(75) Inventors: **Alwin J. Stahel**, St. Paul, MN (US);
Brian K. Stahel, New Brighton, MN (US)

(73) Assignee: **Kuryakyn Holdings, Inc.**, Somerset, WI (US)

(**) Term: **14 Years**

(21) Appl. No.: **29/227,681**

(22) Filed: **Apr. 14, 2005**

(51) **LOC (8) Cl.** **12-11**

(52) **U.S. Cl.** **D12/114**

(58) **Field of Classification Search** D12/110,
D12/114, 122, 125, 203; 280/288.1, 291,
280/163, 164.1; 74/564, 512, 478, 560, 562.5,
74/594.4, 594.7, 143, 337.5, 473.16, 473.17,
74/531, 478.5; 180/219, 230; 296/75

See application file for complete search history.

(56) **References Cited**

U.S. PATENT DOCUMENTS

4,174,852	A	11/1979	Panzica et al.	280/291
D270,823	S	* 10/1983	Mounts	D12/114
4,802,684	A	2/1989	Bennett et al.	280/291
6,481,080	B1	11/2002	Monson	29/401.1
6,688,628	B1	2/2004	Burkett	280/291

OTHER PUBLICATIONS

Kuryakyn Holdings, Inc. 2003 Catalog, pp. 37-47, Published Feb. 2003.

* cited by examiner

Primary Examiner—Alan P. Douglas

Assistant Examiner—Linda Brooks

(74) *Attorney, Agent, or Firm*—Dicke, Billig & Czaja

(57) **CLAIM**

The ornamental design for a motorcycle folding floorboard with brake arm clearance, as shown and described.

DESCRIPTION

FIG. 1 is a perspective view of a motorcycle folding floorboard with brake arm clearance embodying our new design.

FIG. 2 is a top plan view;

FIG. 3 is a bottom plan view thereof;

FIG. 4 is a right side view thereof;

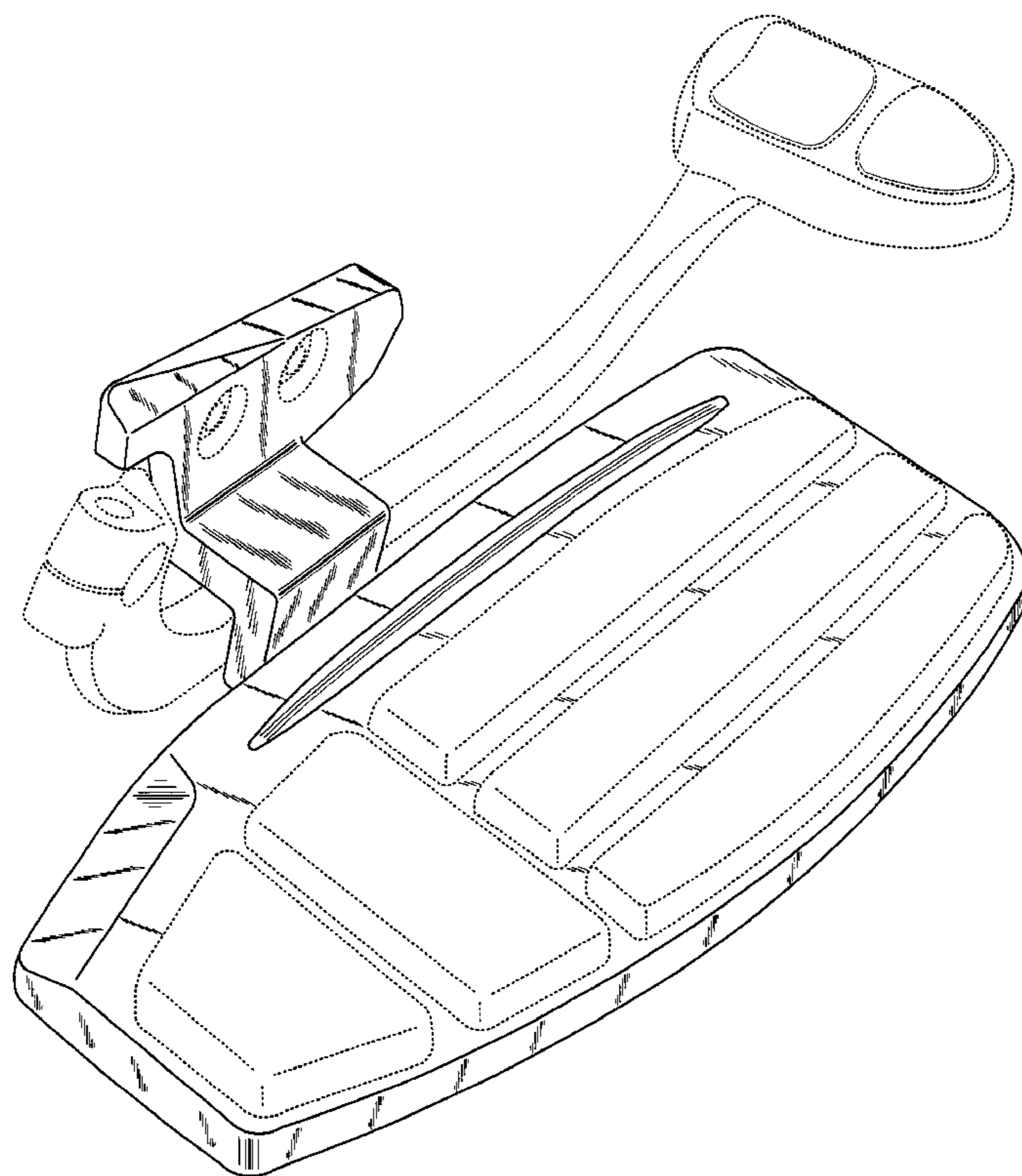
FIG. 5 is a left side view thereof;

FIG. 6 is a front elevational view thereof; and,

FIG. 7 is a rear elevational view thereof.

The broken lines immediately adjacent the shaded areas represent the boundaries of the claimed design and form no part thereof, while the other broken lines show environment and form no part of the claimed design.

1 Claim, 6 Drawing Sheets



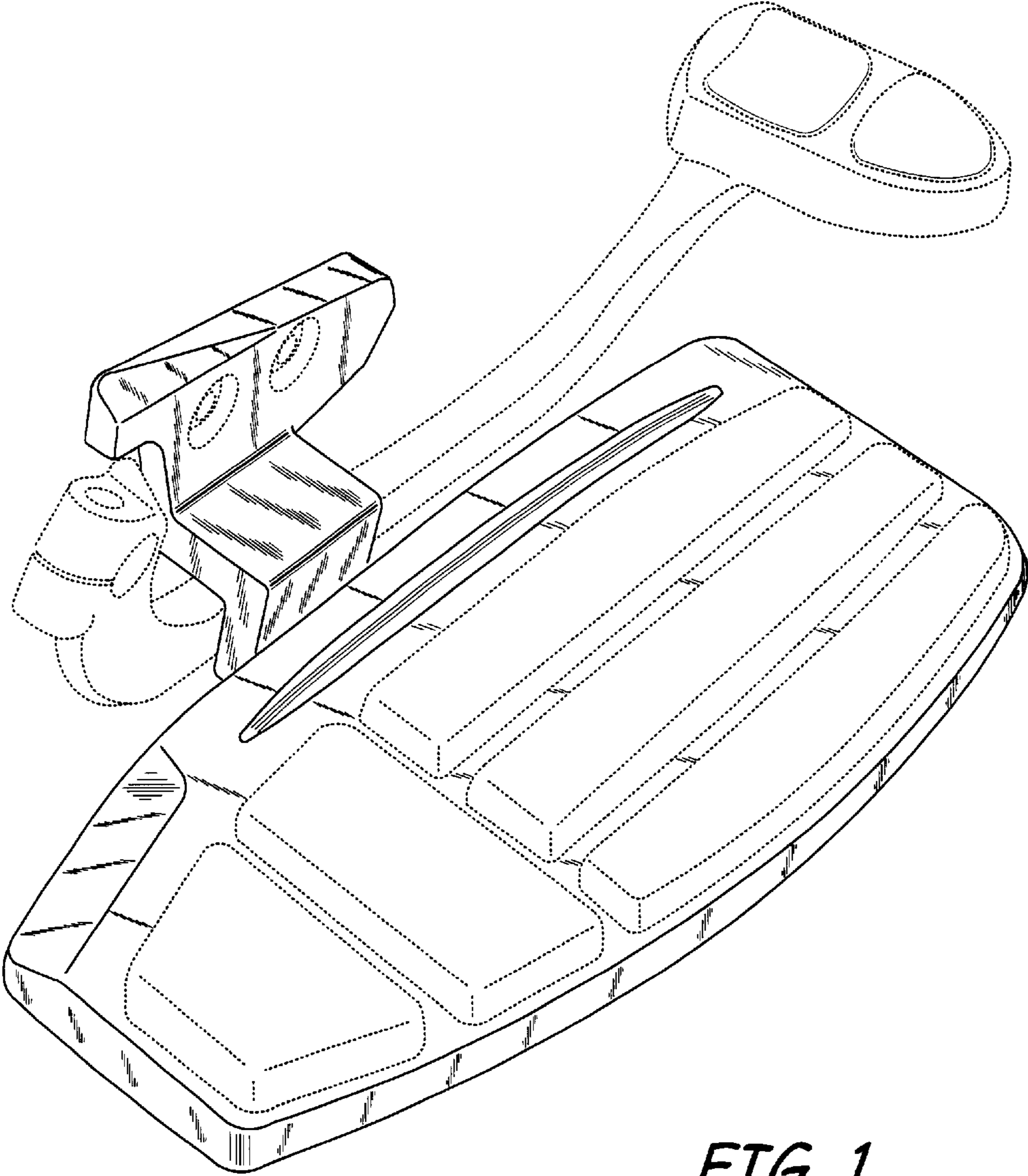


FIG. 1

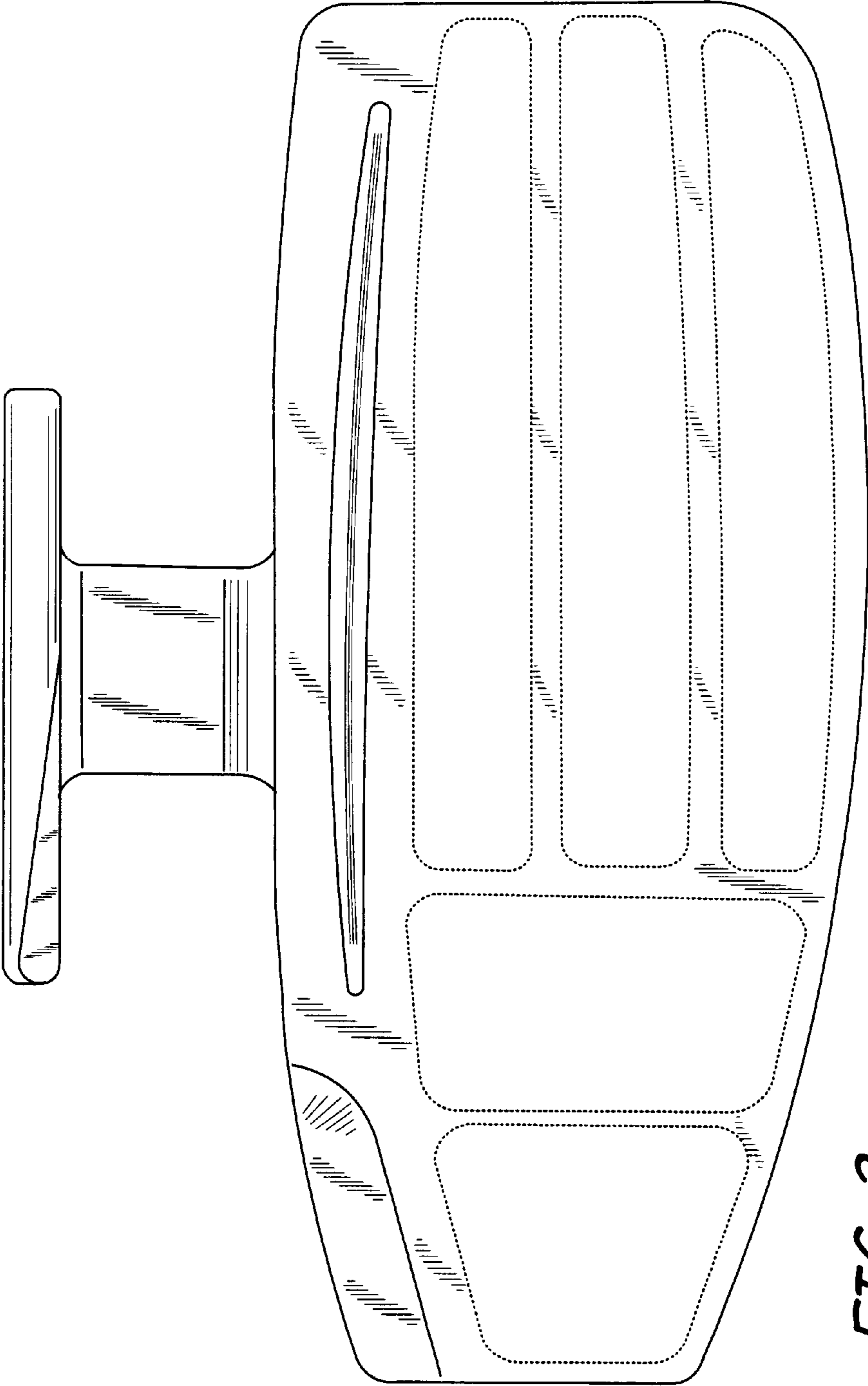


FIG. 2

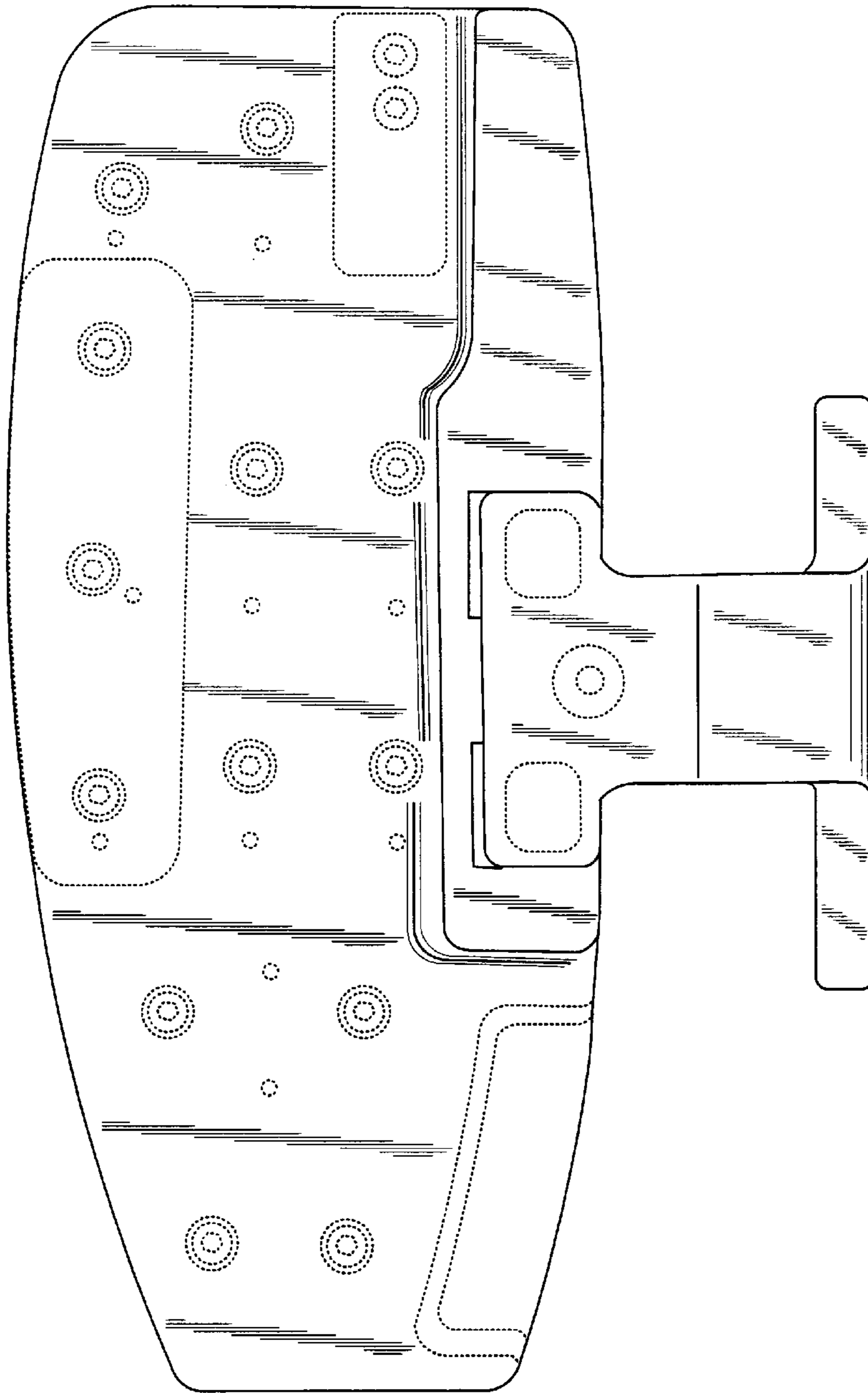
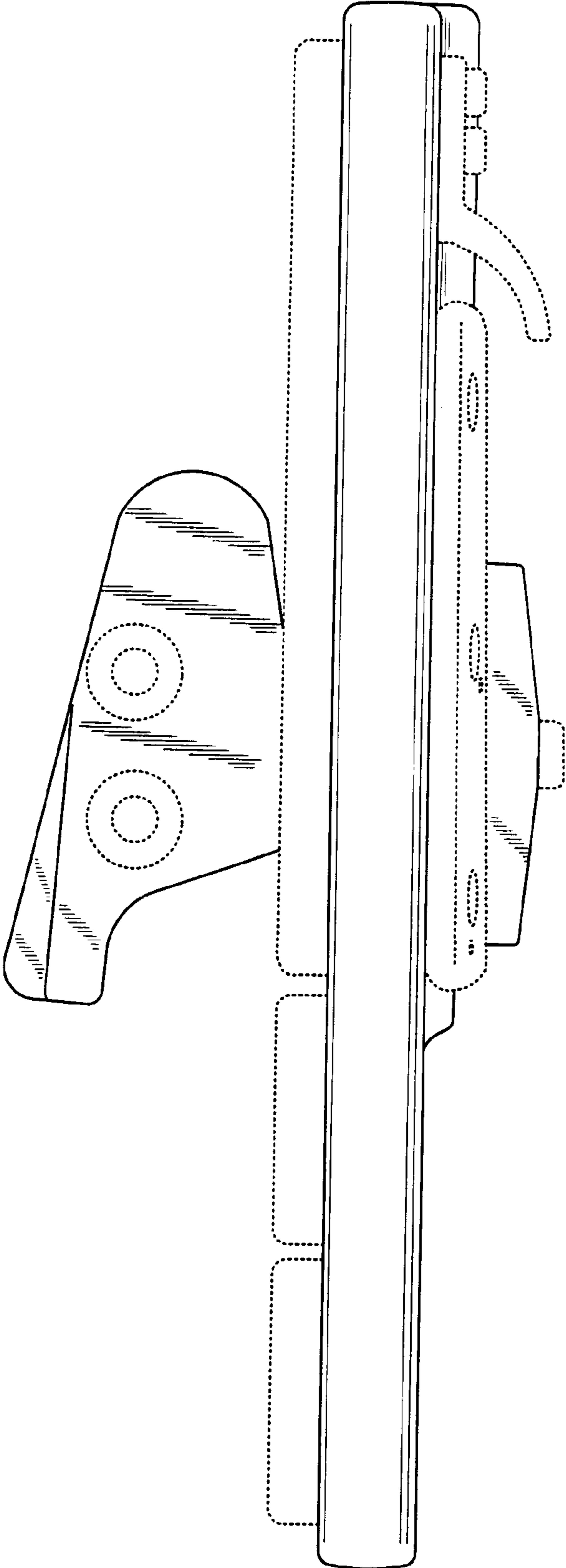


FIG. 3

FIG. 4



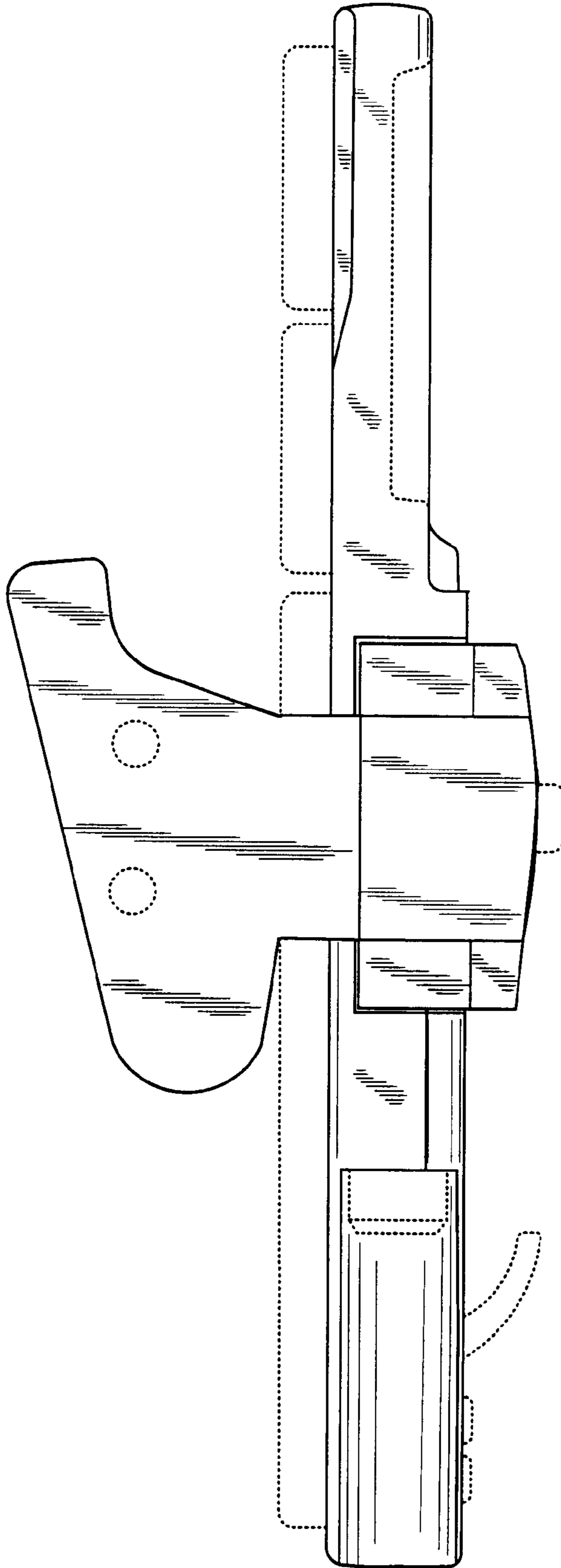


FIG. 5

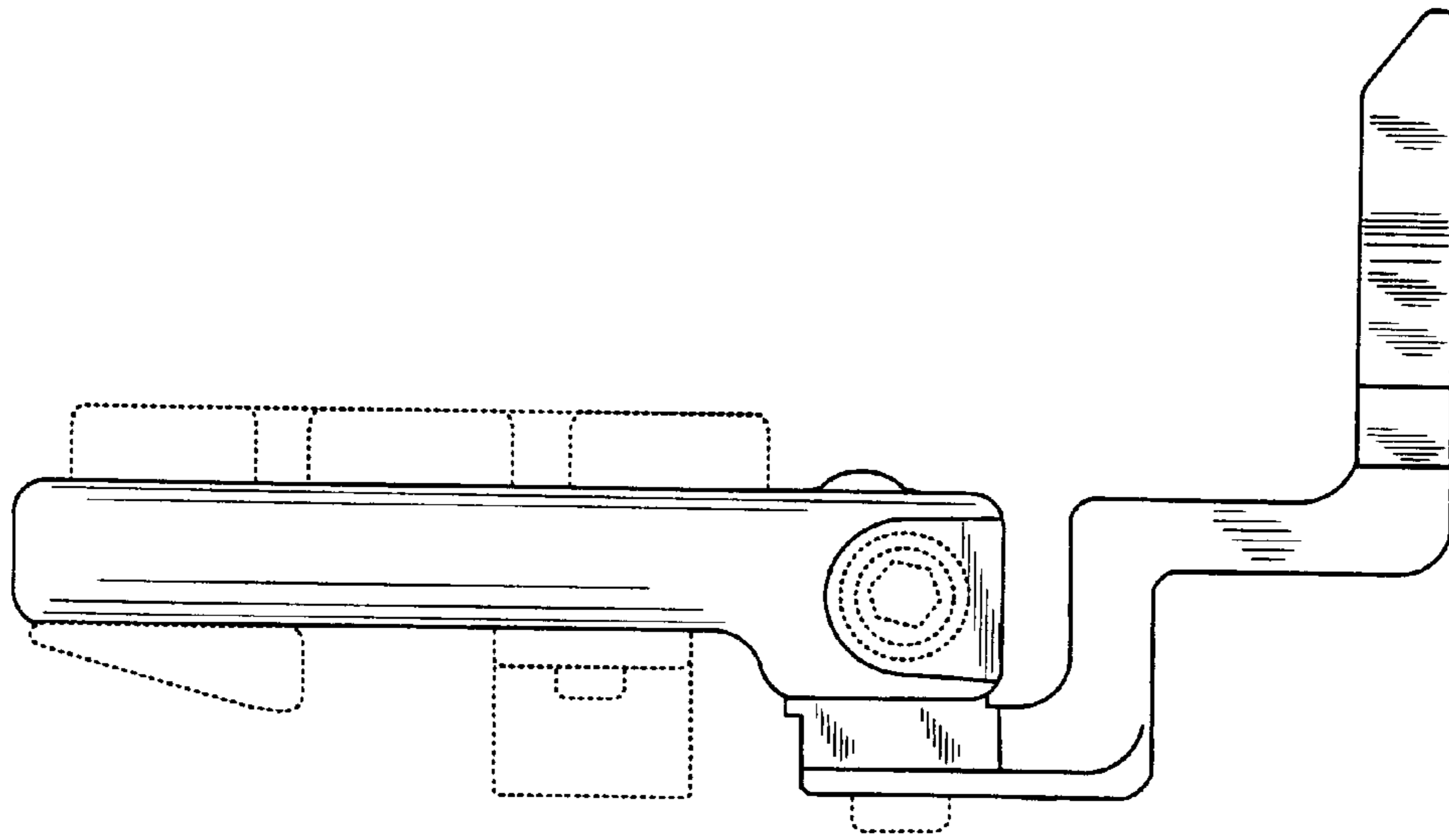


FIG. 6

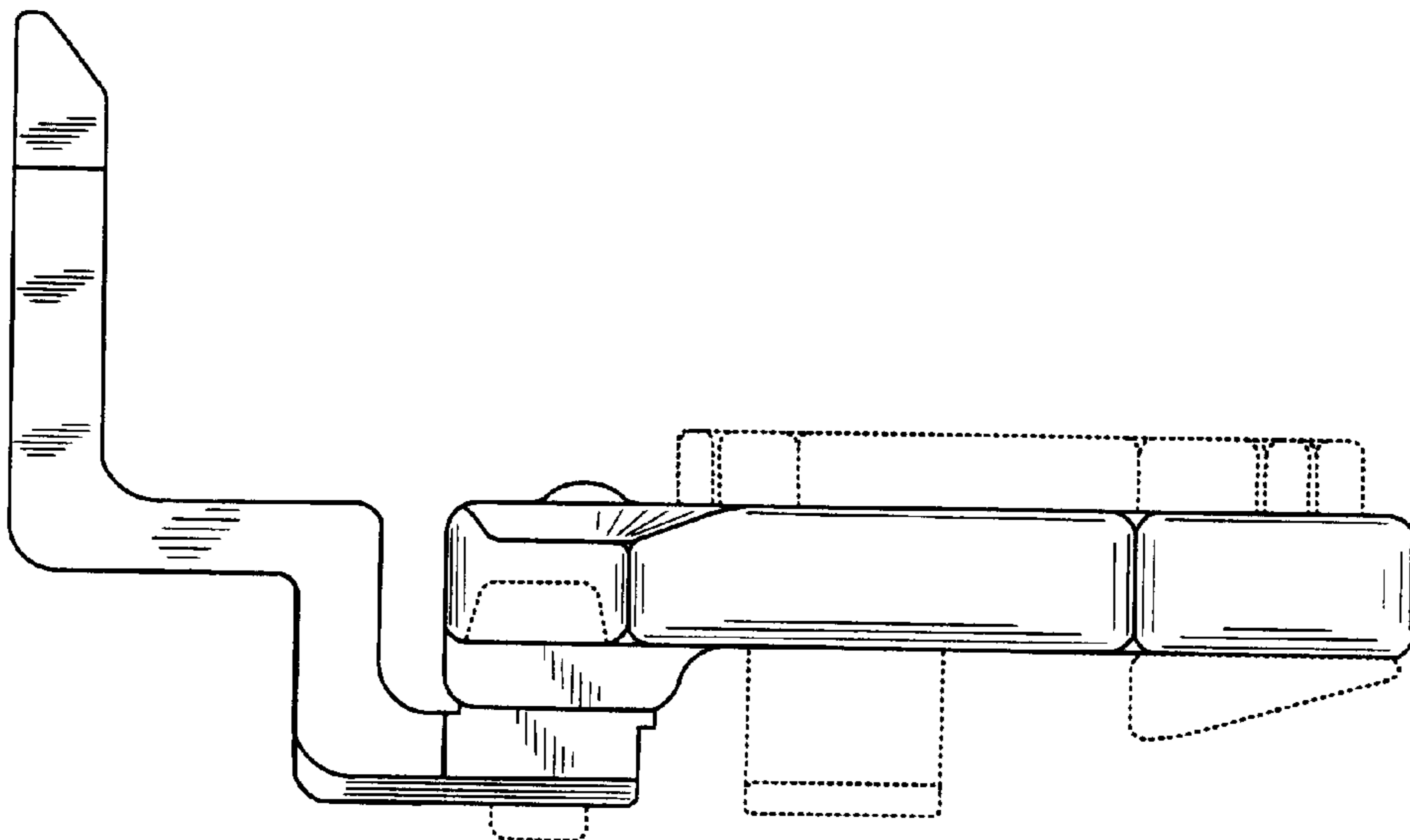


FIG. 7