



US00D528474S

(12) **United States Design Patent**
Hara et al.

(10) **Patent No.:** **US D528,474 S**
(45) **Date of Patent:** **** Sep. 19, 2006**

(54) **MOTOR VEHICLE AND/OR TOY REPLICA THEREOF**

D504,354 S * 4/2005 Fumiiri et al. D12/91
D512,000 S * 11/2005 Suzuki et al. D12/91
D513,480 S * 1/2006 Minowa et al. D12/91

(75) Inventors: **Hisao Hara**, Aichi-ken (JP); **Kenichi Onoue**, Aichi-ken (JP); **Minoru Ogawa**, Aichi-ken (JP); **Yoshiyasu Neuchi**, Aichi-ken (JP)

OTHER PUBLICATIONS

Honda, ELYSION, Automotive Guidebook of Japan 2004–2005, vol. 51, Nov. 2, 2004, Japan Automobile Manufacturers Association, Inc.

(73) Assignee: **Toyota Jidosha Kabushiki Kaisha** (JP)

Mitsubishi, GRANDIS, Automotive Guidebook of Japan 2004–2005, vol. 51, Nov. 2, 2004, Japan Automobile Manufacturers Association, Inc.

(**) Term: **14 Years**

* cited by examiner

(21) Appl. No.: **29/239,665**

Primary Examiner—Melody N. Brown

(22) Filed: **Sep. 29, 2005**

(74) *Attorney, Agent, or Firm*—SAIDMAN DesignLaw Group

(51) **LOC (8) Cl.** **12-08**

(52) **U.S. Cl.** **D12/91**

(58) **Field of Classification Search** D12/90–92,
D12/86; D21/424, 433; 296/181.1
See application file for complete search history.

(57) **CLAIM**

The ornamental design for a motor vehicle and/or toy replica thereof, as shown and described.

(56) **References Cited**

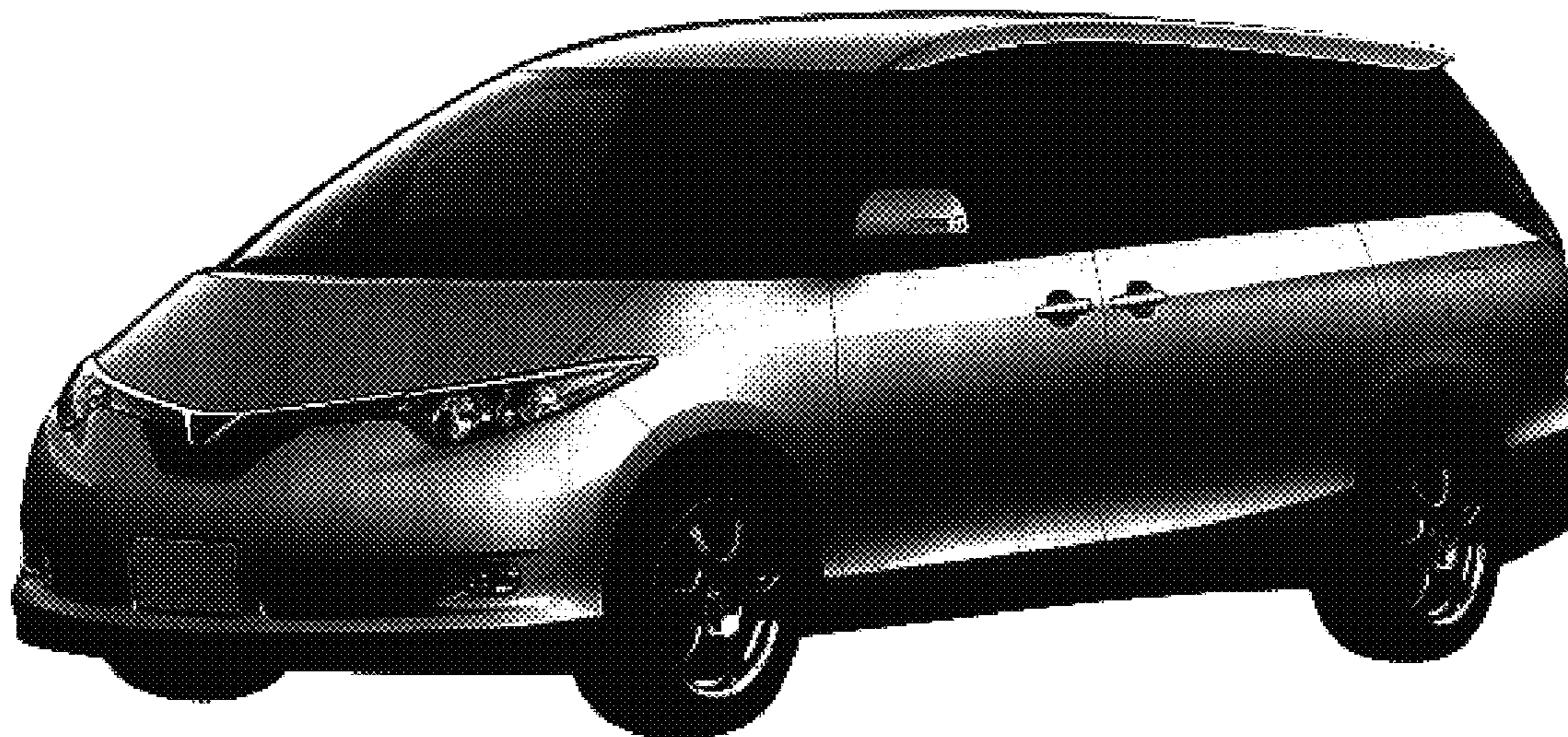
DESCRIPTION

U.S. PATENT DOCUMENTS

D469,038 S * 1/2003 Mattin et al. D12/91
D476,269 S * 6/2003 Suzuki et al. D12/91
D479,491 S * 9/2003 Kato et al. D12/91
D481,332 S * 10/2003 Miyazaki et al. D12/91
D494,103 S * 8/2004 Nakamura et al. D12/92
D497,839 S * 11/2004 Neuchi et al. D12/91
D498,706 S * 11/2004 Hara et al. D12/91
D499,988 S * 12/2004 Minami et al. D12/91
D504,088 S * 4/2005 Minowa et al. D12/91

FIG. 1 is a front perspective view of a motor vehicle and/or toy replica thereof showing our new design;
FIG. 2 is a rear perspective view thereof;
FIG. 3 is a right-side view thereof;
FIG. 4 is a top view thereof;
FIG. 5 is a front view thereof; and,
FIG. 6 is a rear view thereof.

1 Claim, 2 Drawing Sheets



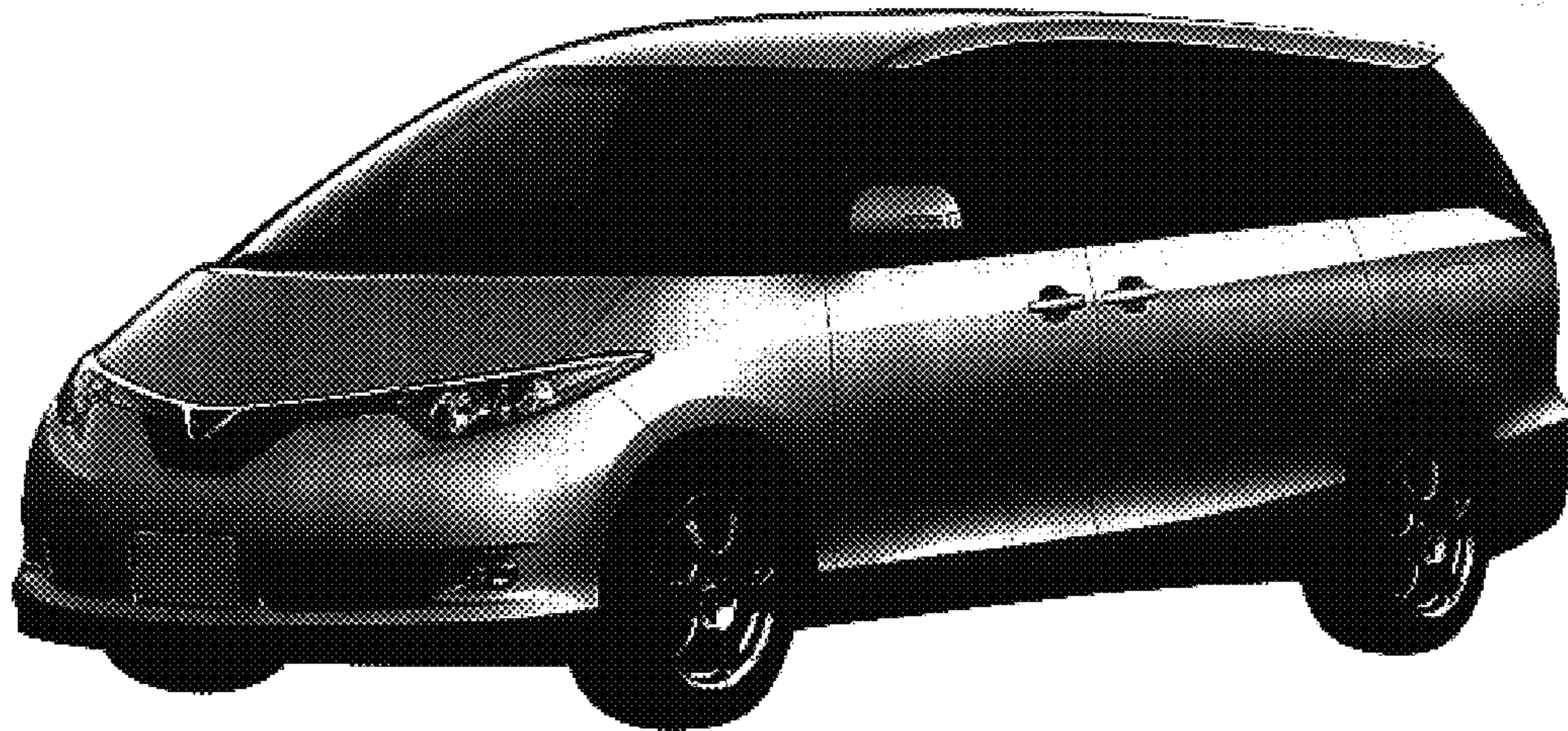


FIG. 1

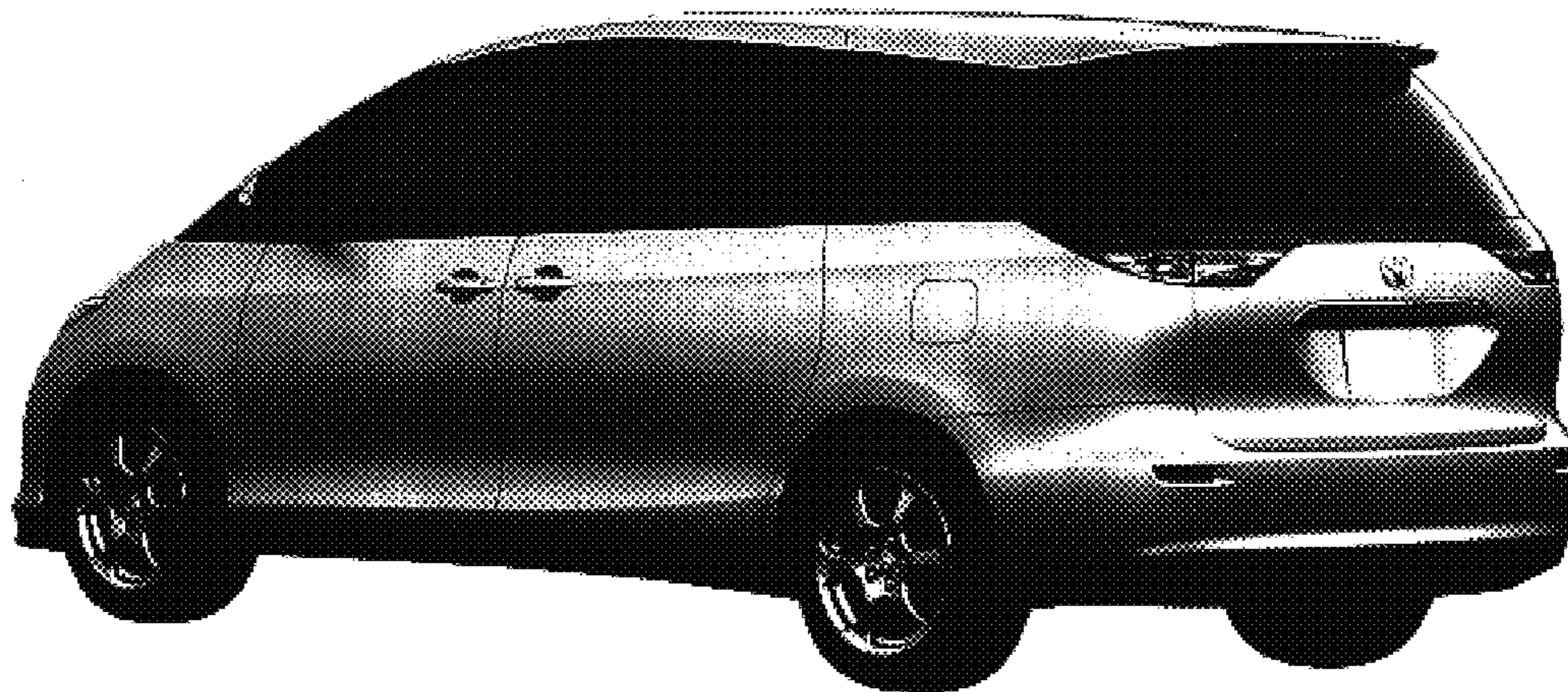


FIG. 2

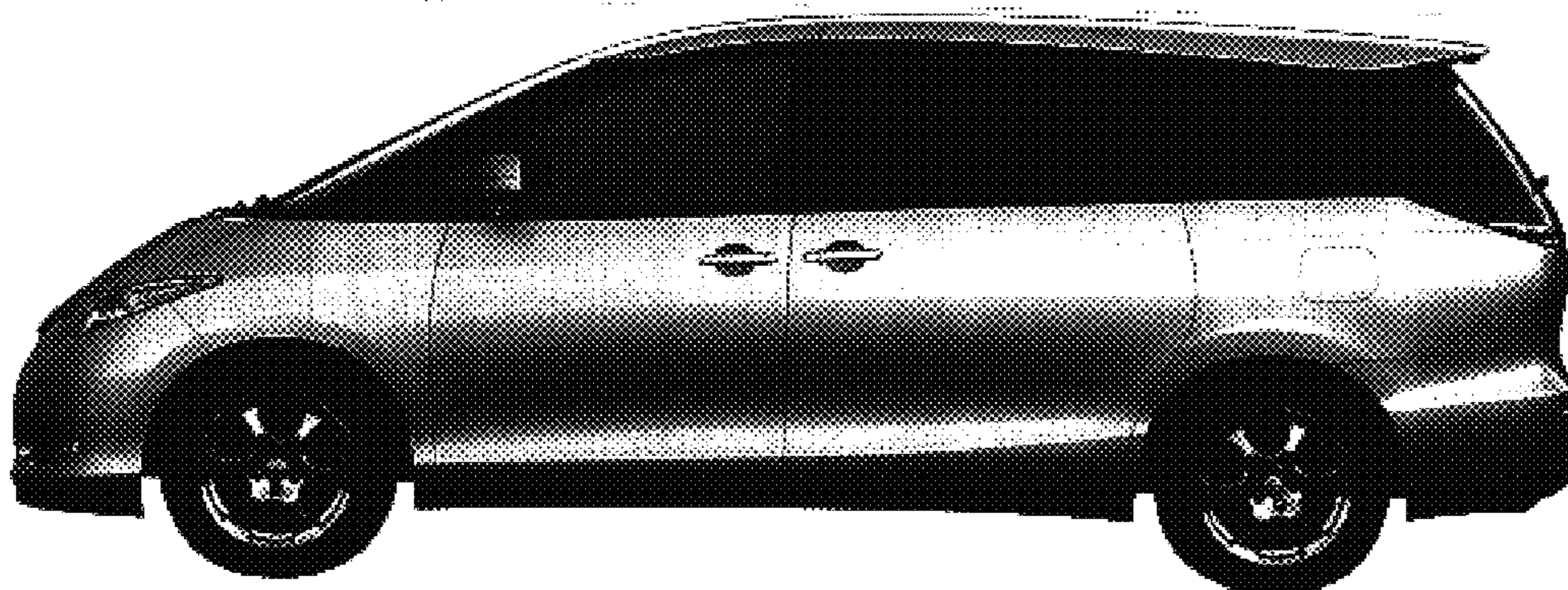


FIG. 3

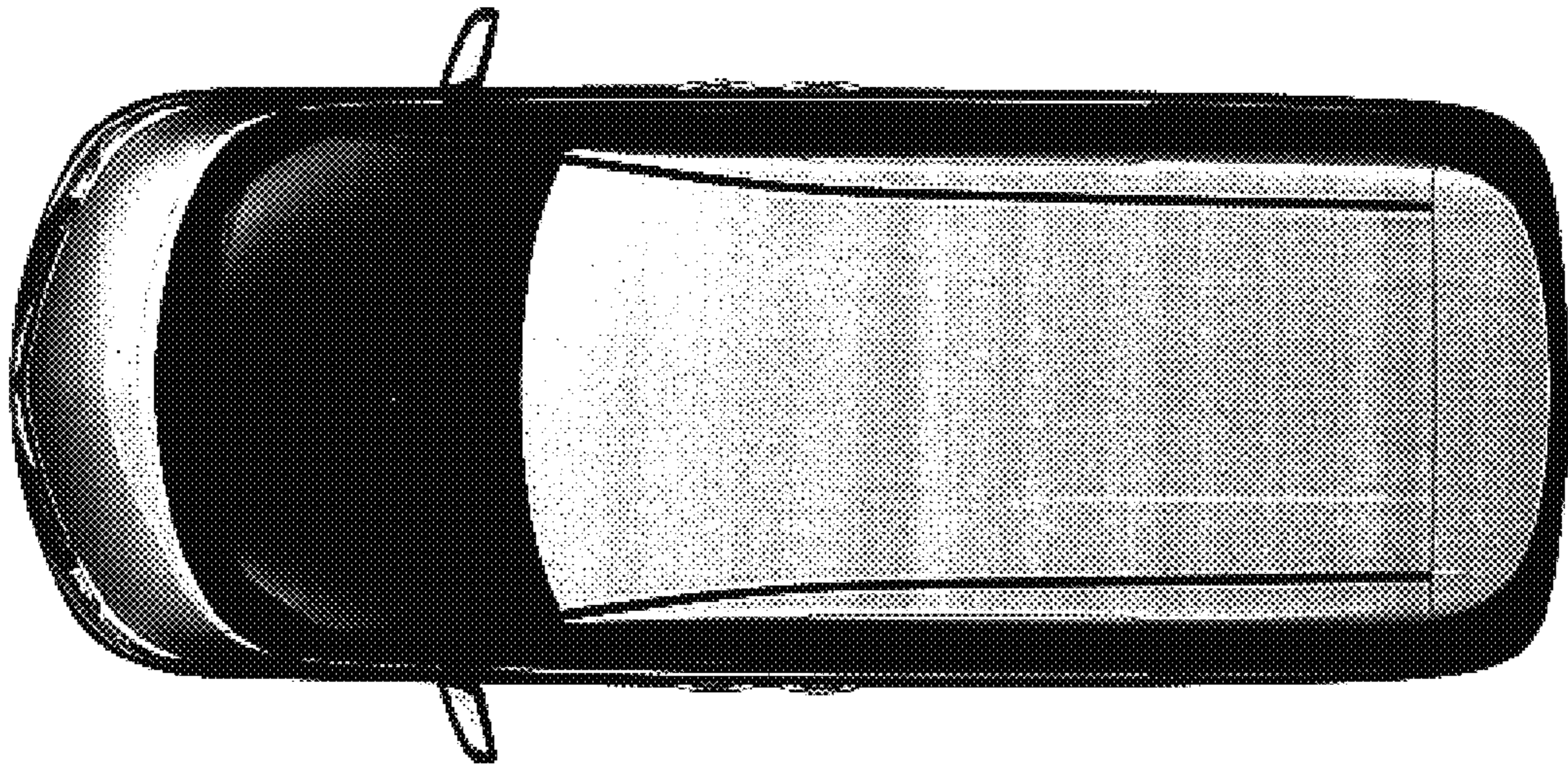


FIG. 4

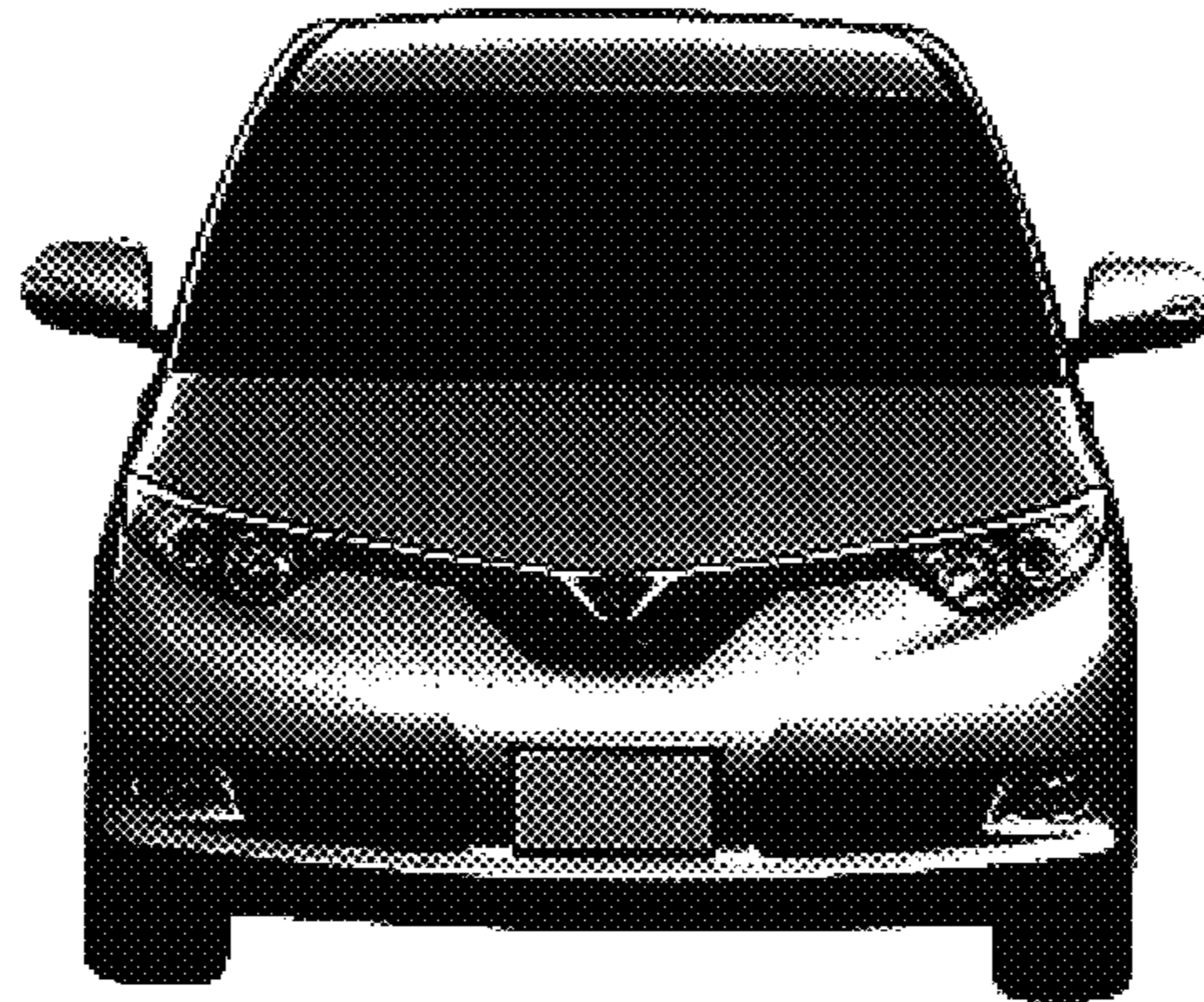


FIG. 5

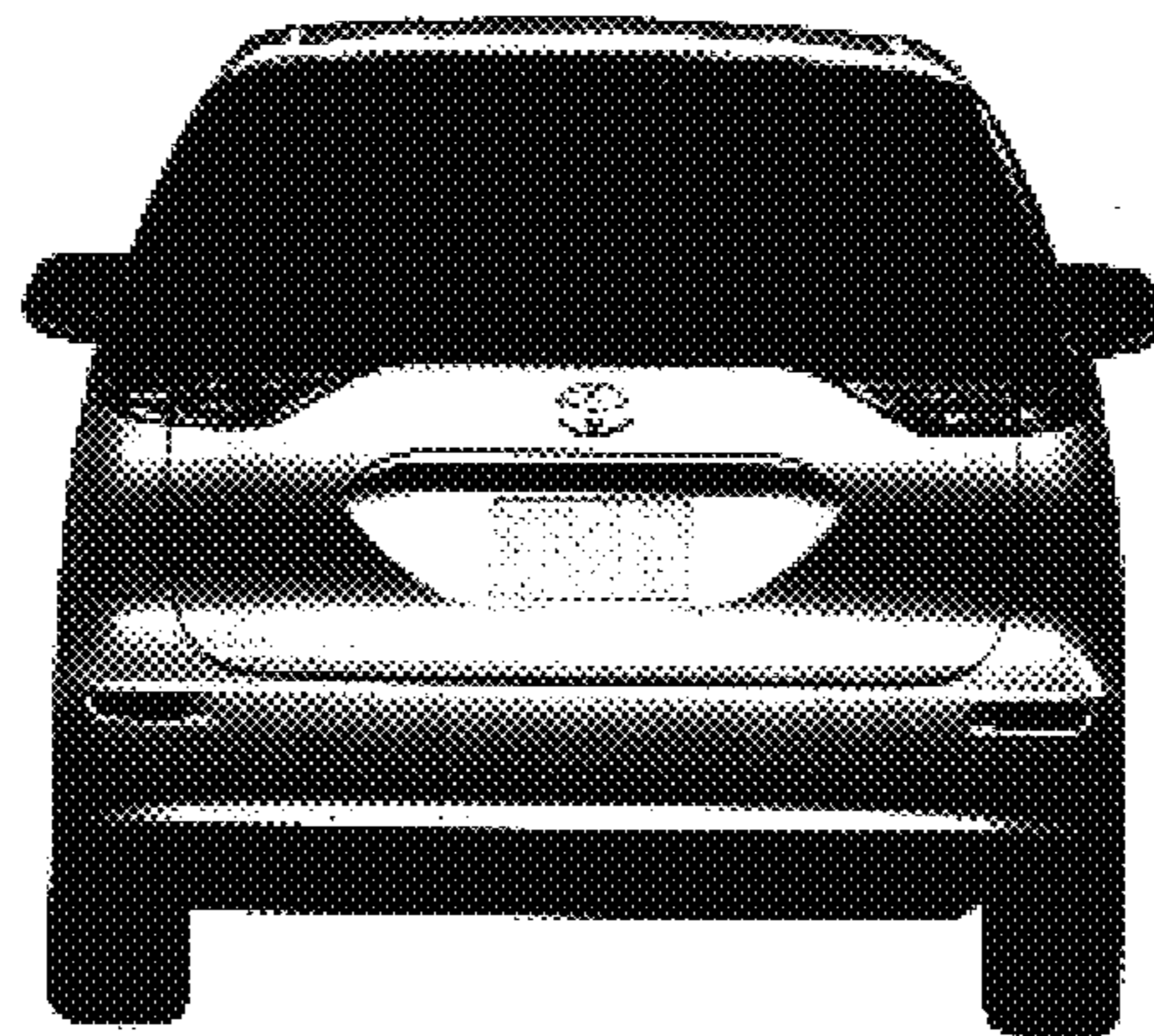


FIG. 6