

US00D528471S

(12) **United States Design Patent**
Renkert et al.

(10) **Patent No.:** **US D528,471 S**

(45) **Date of Patent:** **** Sep. 19, 2006**

(54) **AUTOMOBILE BODY**

(75) Inventors: **Donald A Renkert**, Royal Oak, MI (US); **John P Sgalia**, Farmington Hills, MI (US); **Dan M Zimmermann**, Bloomfield Township, MI (US)

(73) Assignee: **DaimlerChrysler Corporation**, Auburn Hills, MI (US)

(**) Term: **14 Years**

(21) Appl. No.: **29/237,750**

(22) Filed: **Sep. 6, 2005**

Related U.S. Application Data

(63) Continuation-in-part of application No. 29/219,744, filed on Dec. 21, 2004, now Pat. No. Des. 514,983.

(51) **LOC (8) Cl.** **12-08**

(52) **U.S. Cl.** **D12/91**

(58) **Field of Classification Search** D12/90-92, D12/86; D21/424, 433; 296/181.1, 181.5
See application file for complete search history.

(56) **References Cited**

U.S. PATENT DOCUMENTS

D350,504 S 9/1994 Nixon
D420,939 S 2/2000 Faurote et al.
D424,992 S 5/2000 Faurote

D497,572 S * 10/2004 Widmann et al. D12/91
D500,460 S 1/2005 Allen et al.
D506,955 S 7/2005 Allen et al.
D507,766 S * 7/2005 McMahan et al. D12/91
D508,441 S * 8/2005 Moushegian et al. D12/91
D514,983 S * 2/2006 Renkert et al. D12/91
D516,956 S * 3/2006 Bucci et al. D12/91

* cited by examiner

Primary Examiner—Melody N. Brown

(74) *Attorney, Agent, or Firm*—Ralph E. Smith

(57) **CLAIM**

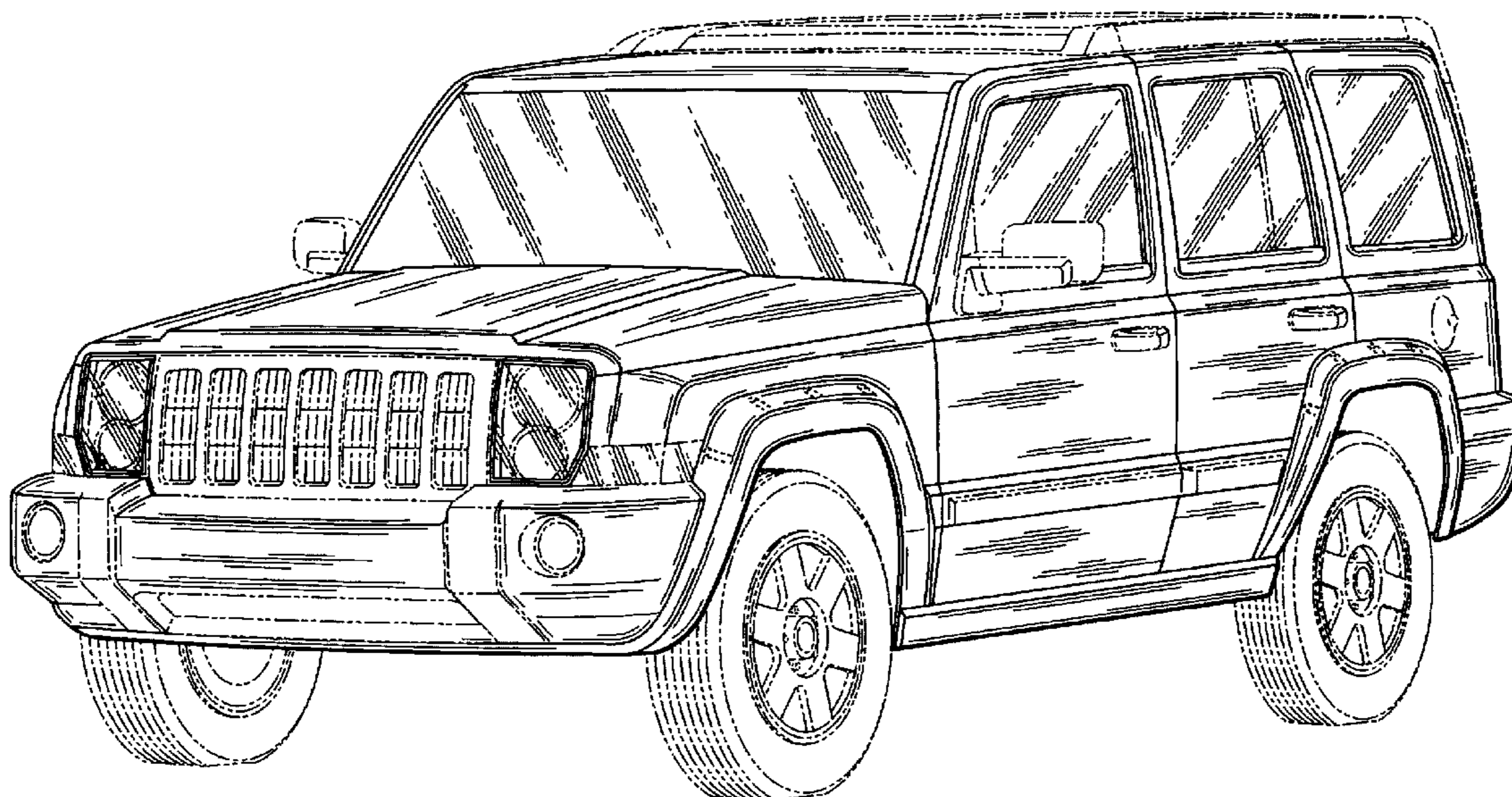
The ornamental design for an automobile body, as shown and described.

DESCRIPTION

FIG. 1 is a front perspective view of an automobile body showing our new design;
FIG. 2 is a side view thereof;
FIG. 3 is a front view thereof;
FIG. 4 is a rear view thereof;
FIG. 5 is a rear perspective view thereof;
FIG. 6 is a top plan view showing a first embodiment of our new design; and,
FIG. 7 is a top plan view of an automobile body showing a second embodiment of our new design.

It will be understood that the dashed lines presented in the drawings are for illustration only, and do not form a part of the claimed design.

1 Claim, 6 Drawing Sheets



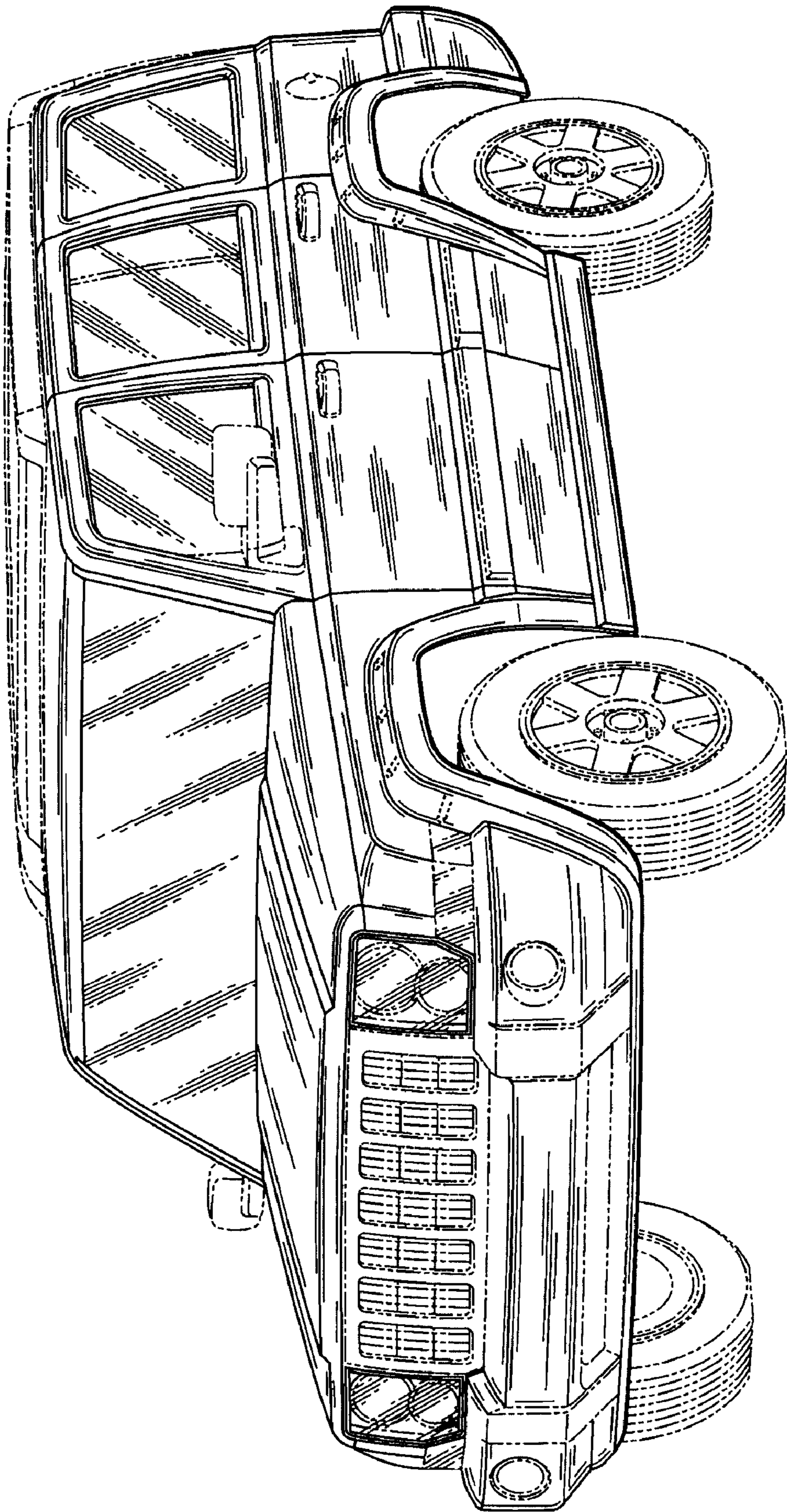


Fig. 1

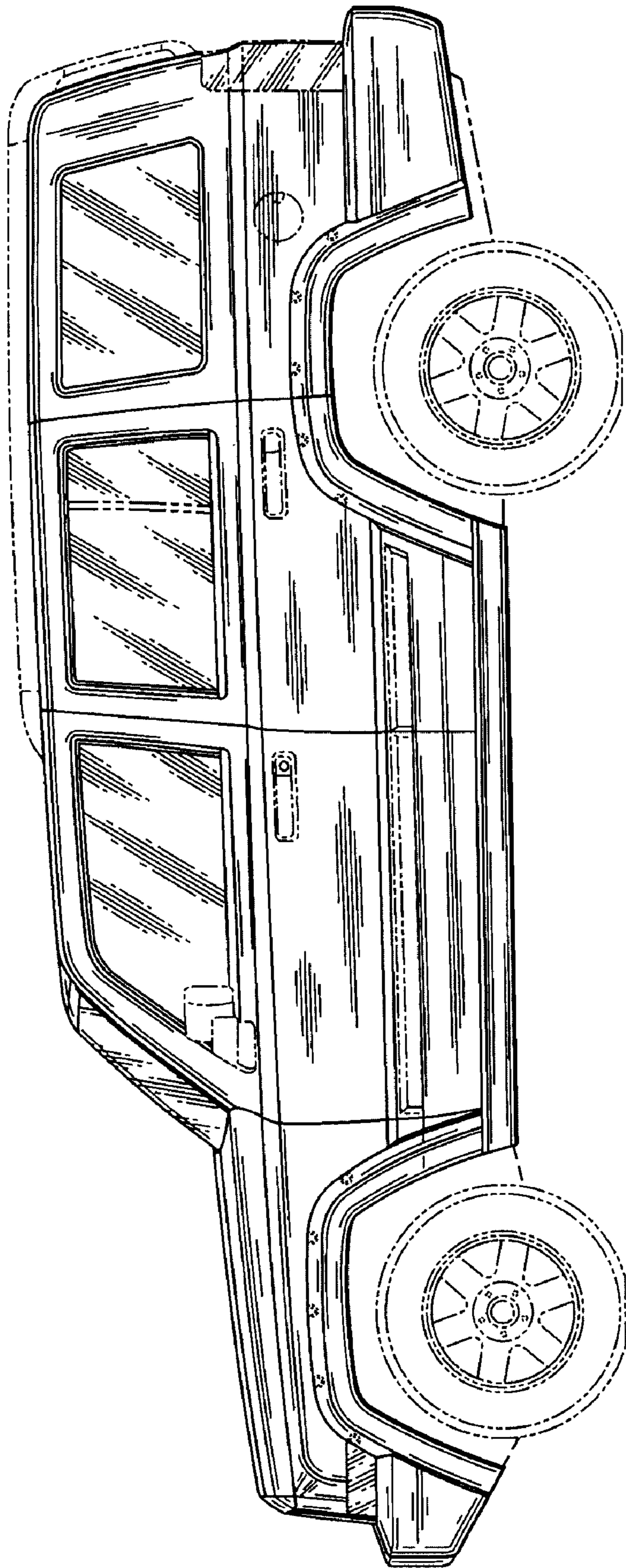


Fig. 2

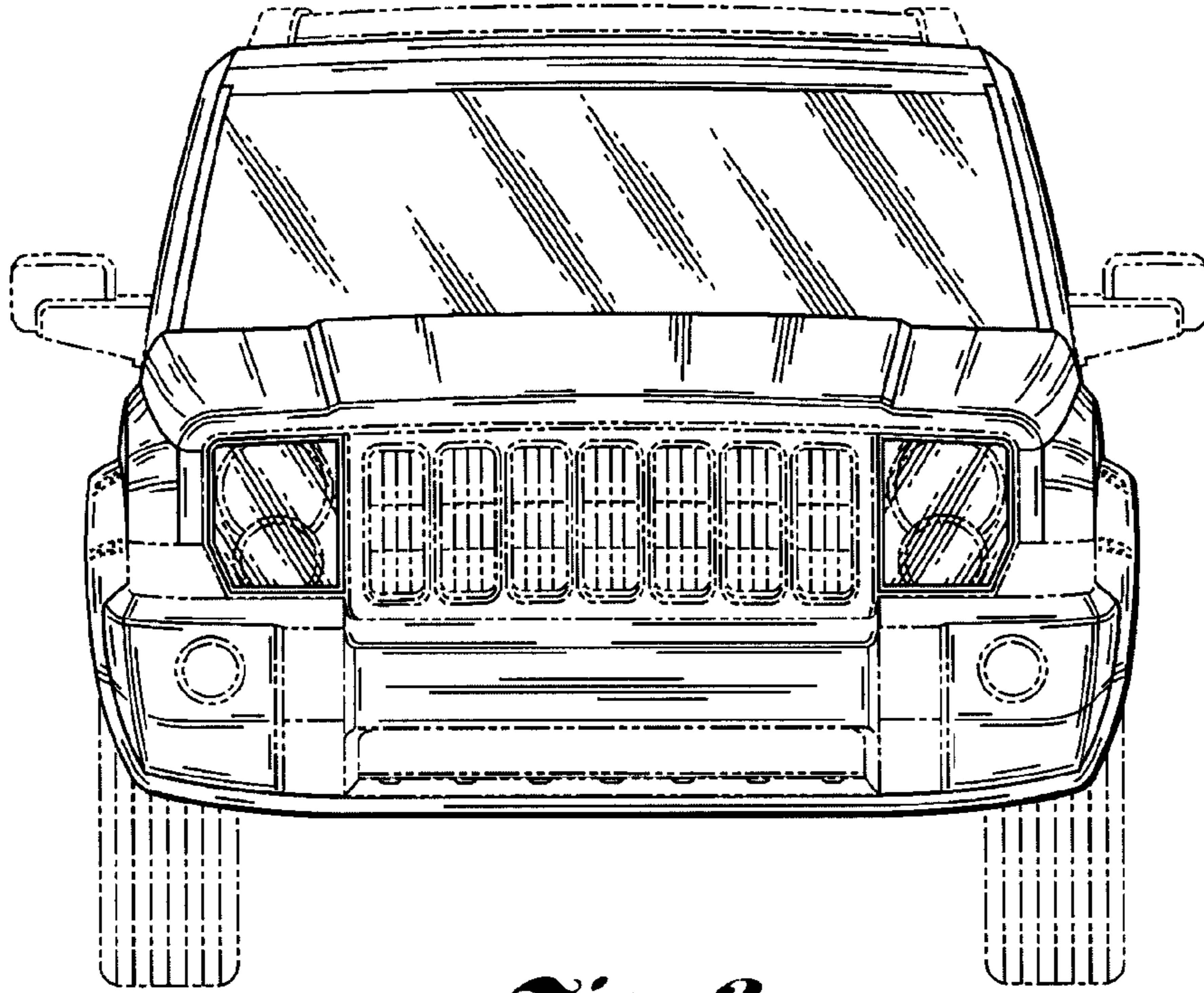


Fig. 3

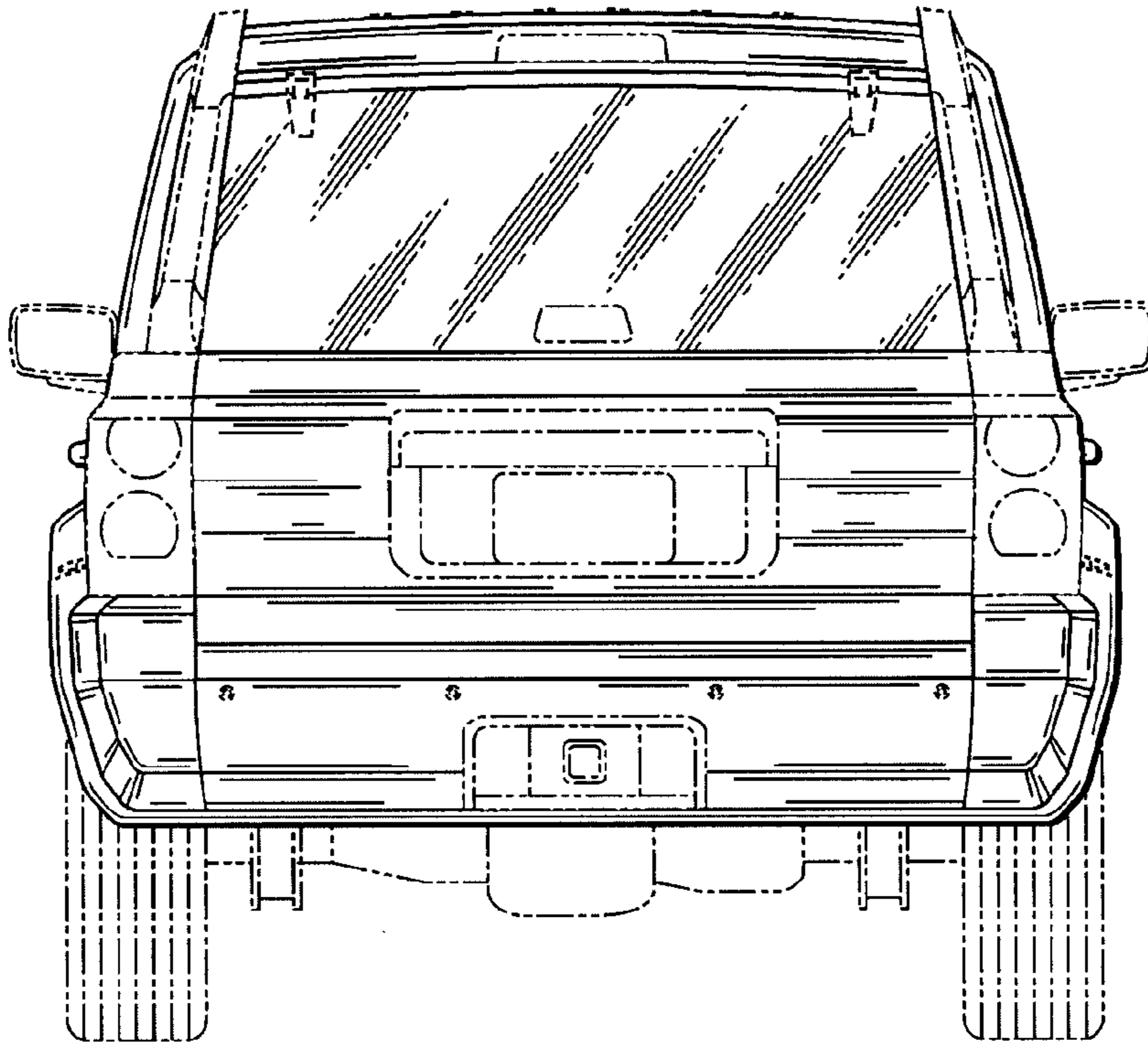


Fig. 4

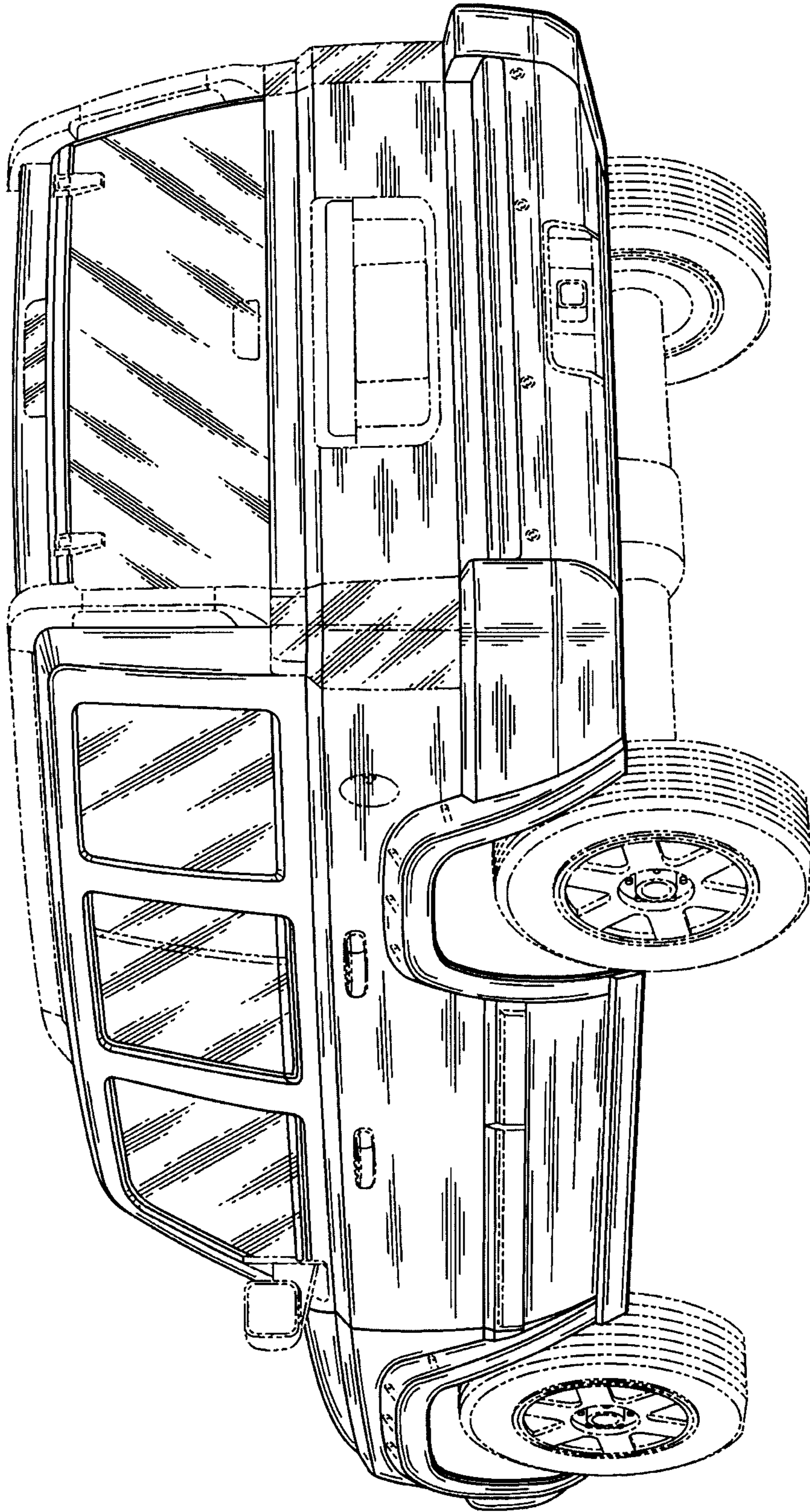


Fig. 5

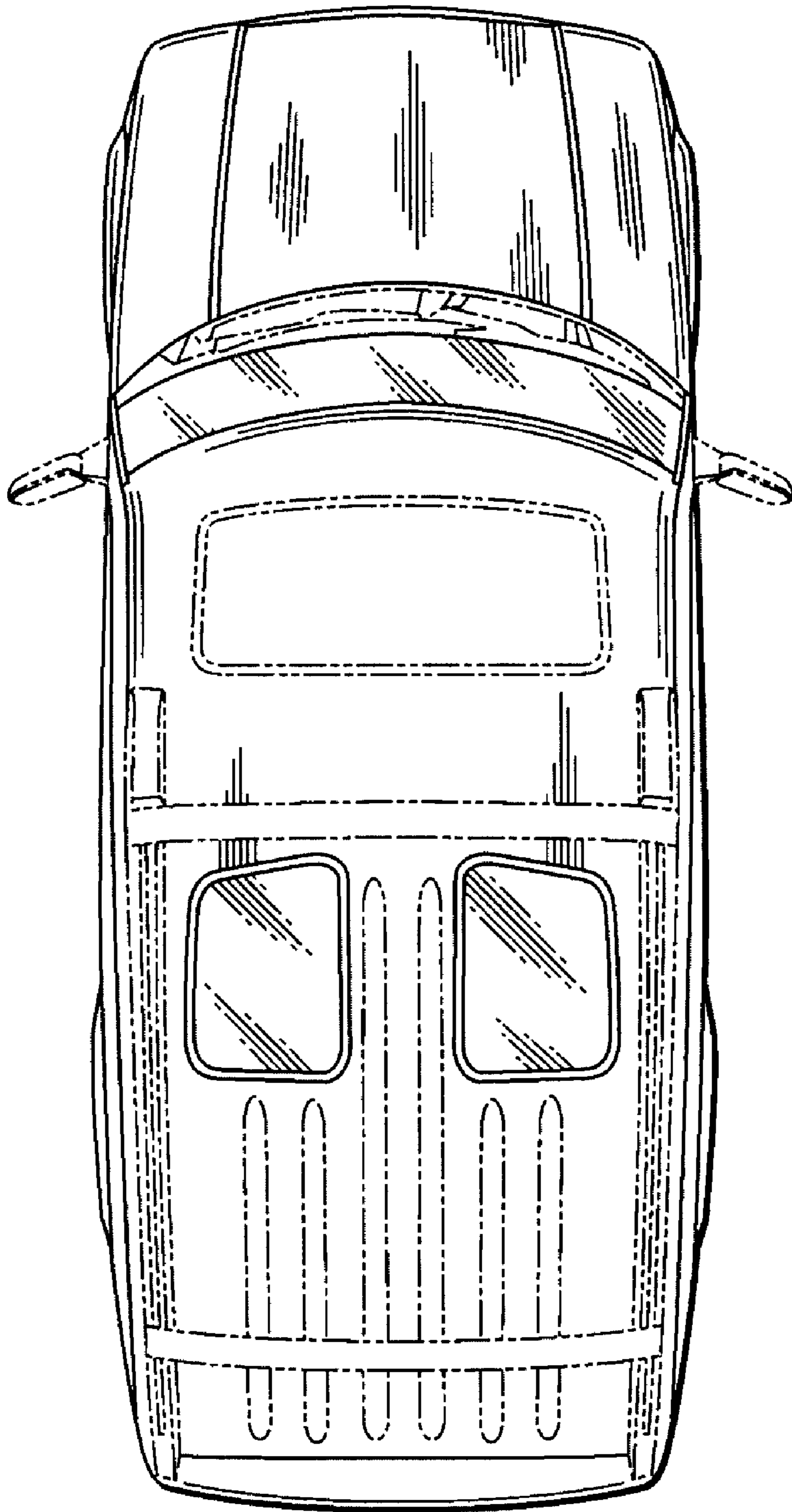


Fig. 6

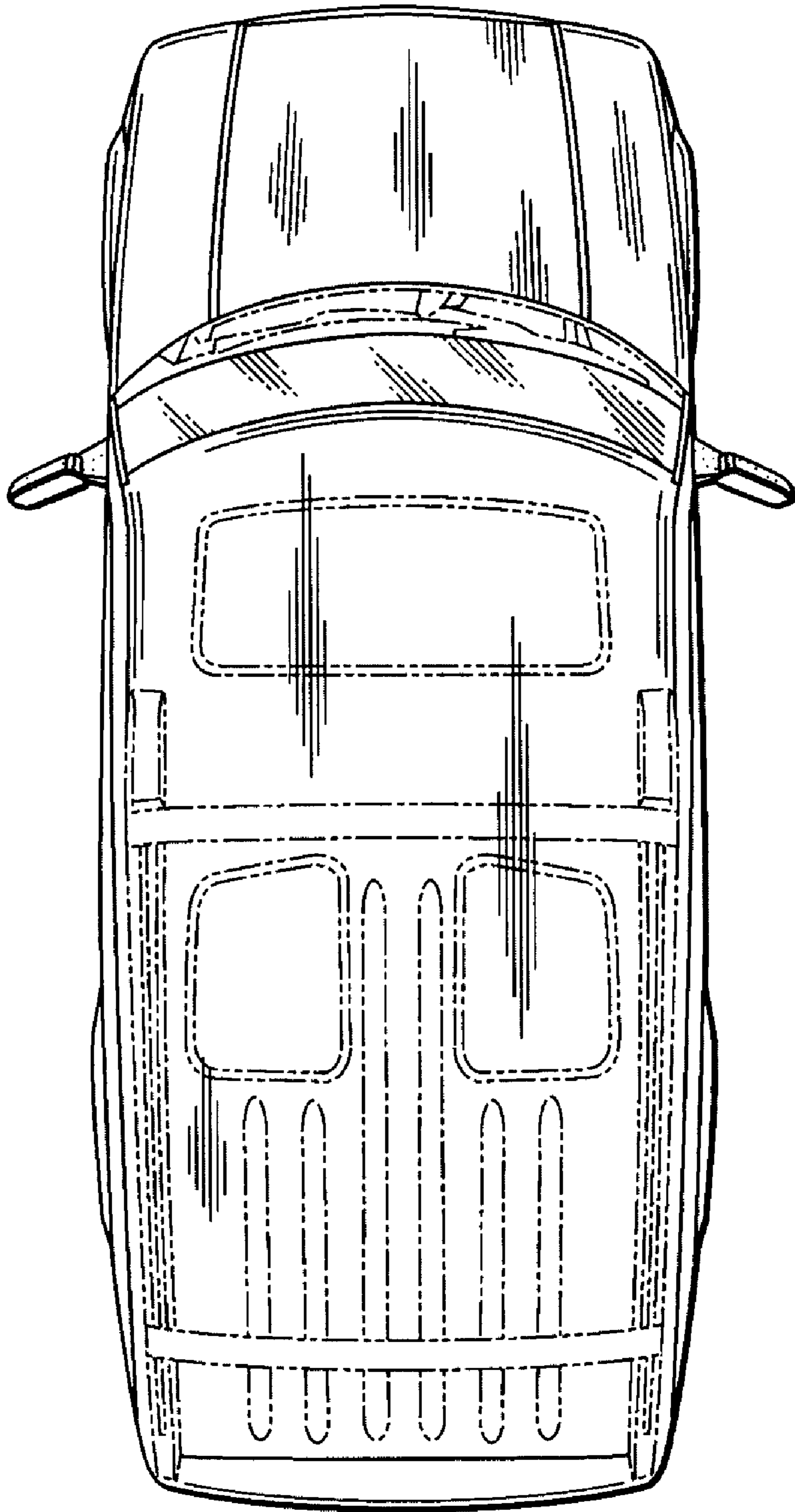


Fig. 7