

US00D528469S

(12) **United States Design Patent** (10) **Patent No.:** **US D528,469 S**
Yakushi et al. (45) **Date of Patent:** **** Sep. 19, 2006**

(54) **AUTOMOBILE AND TOY REPLICA THEREOF**

(75) Inventors: **Tadayuki Yakushi**, Kariya (JP); **Daisuke Iguchi**, Kariya (JP); **Atsushi Hirose**, Kariya (JP); **Naoyuki Nakamura**, Kariya (JP); **Yuji Fujiwara**, Okazaki (JP); **Takashi Hagino**, Ota (JP); **Sotiris Kovos**, Limassol (CY)

(73) Assignee: **Toyota Jidosha Kabushiki Kaisha**, Aichi-ken (JP)

(**) Term: **14 Years**

(21) Appl. No.: **29/235,202**

(22) Filed: **Jul. 29, 2005**

(51) **LOC (8) Cl.** **12-08**

(52) **U.S. Cl.** **D12/90**

(58) **Field of Classification Search** D12/90-92, D12/86; D21/424, 433; 296/181.1
See application file for complete search history.

(56) **References Cited**

U.S. PATENT DOCUMENTS

- D476,269 S * 6/2003 Suzuki et al. D12/91
- D481,332 S 10/2003 Miyazaki et al.
- D489,293 S * 5/2004 Ikuma et al. D12/90
- D490,019 S * 5/2004 Sakae D12/91
- D511,482 S * 11/2005 Warkuss et al. D12/91

OTHER PUBLICATIONS

“Auto Car Japan,” AUDI A3, issued by Kabushiki Kaisha Neko Publishing, Aug. 1, 2004.
“Car Graphic,” ALFA 147 GTA, issued by Kabushiki Kaisha Nigensha, Jan. 1, 2003.

Copending U.S. Appl. No. 29/235,197, filed Jul. 29, 2005.

* cited by examiner

Primary Examiner—Melody N. Brown
(74) *Attorney, Agent, or Firm*—Finnegan, Henderson, Farabow, Garrett & Dunner, L.L.P.

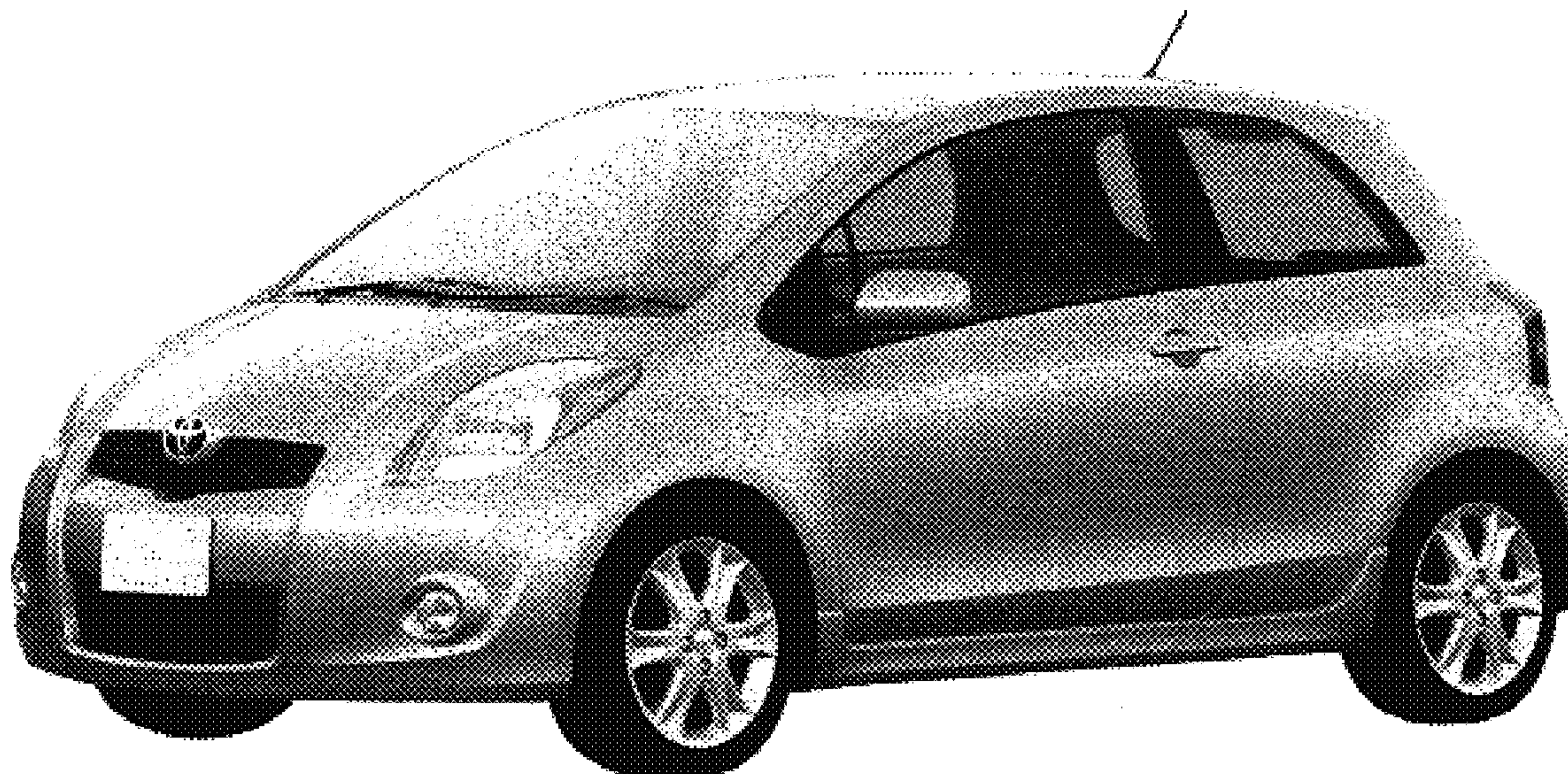
(57) **CLAIM**

The ornamental design for a automobile and toy replica thereof, as shown and described.

DESCRIPTION

FIG. 1 is a left front perspective view of a first embodiment of an automobile and toy replica thereof of our new design; FIG. 2 is a left rear perspective view thereof; FIG. 3 is a front elevational view thereof; FIG. 4 is a rear elevational view thereof; FIG. 5 is a left side elevational view thereof, the right side elevational view being a mirror image of FIG. 5, with the exception of the windshield wiper assemblies which are not symmetric; FIG. 6 is a top plan view thereof; FIG. 7 is a left front perspective view of a second embodiment of an automobile and toy replica thereof of our new design; FIG. 8 is a left rear perspective view of FIG. 7; FIG. 9 is a front elevational view of FIG. 7; FIG. 10 is a rear elevational view of FIG. 7; FIG. 11 is a left side elevational view of FIG. 7, the right side elevational view being a mirror image of FIG. 11, with the exception of the windshield wiper assemblies which are not symmetric; and, FIG. 12 is a top plan view of FIG. 7.

1 Claim, 8 Drawing Sheets



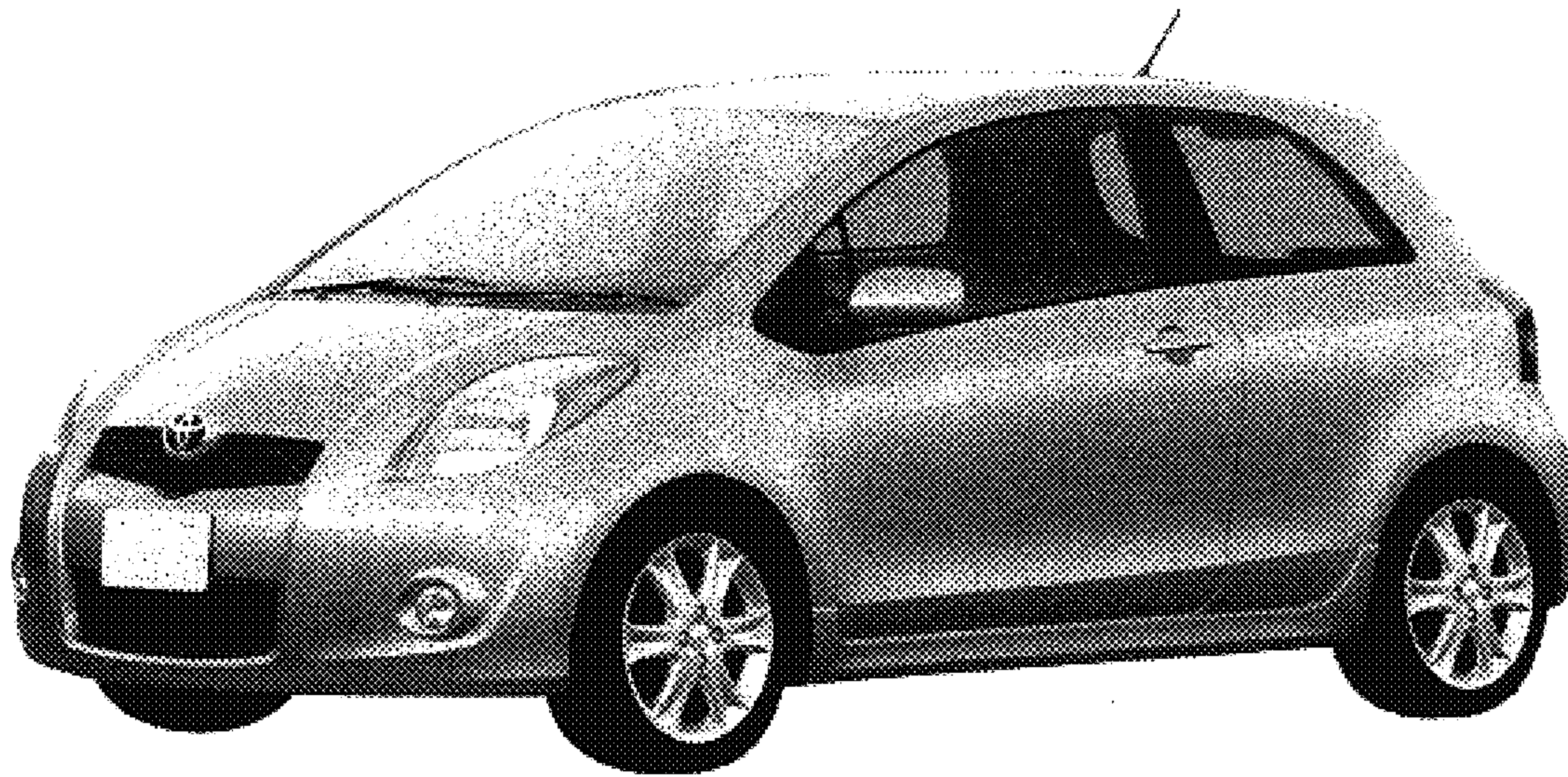


FIG. 1

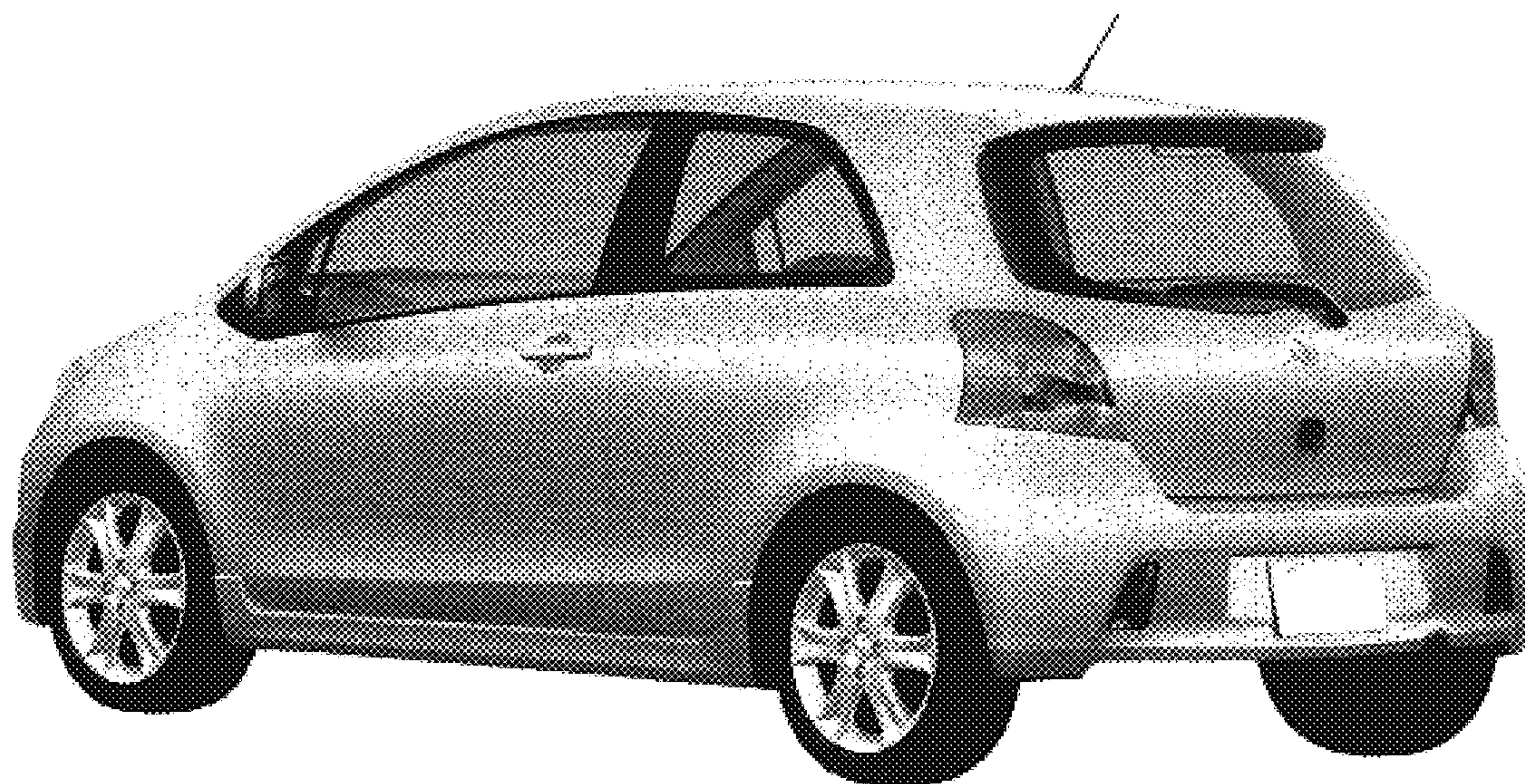


FIG. 2

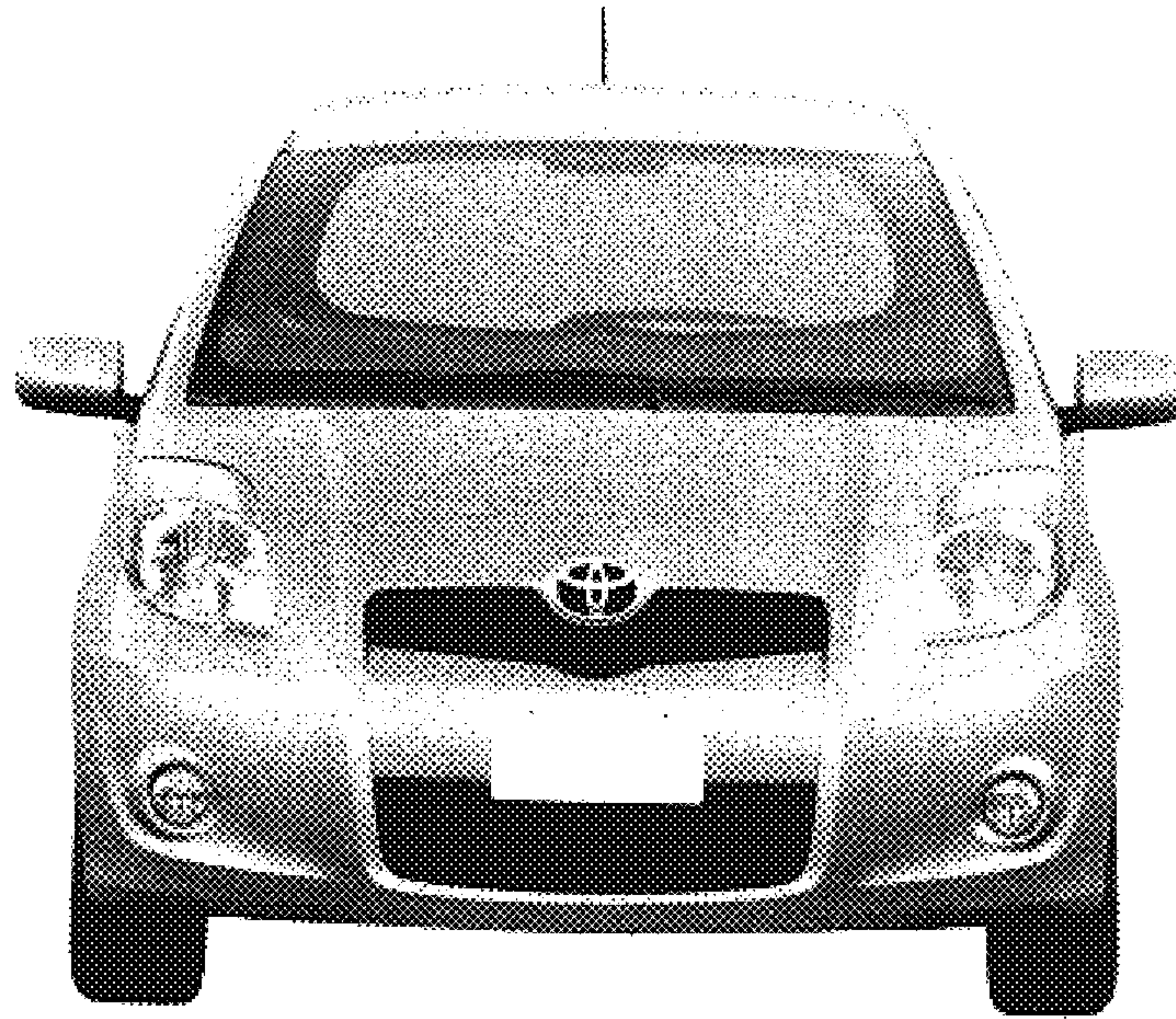


FIG. 3

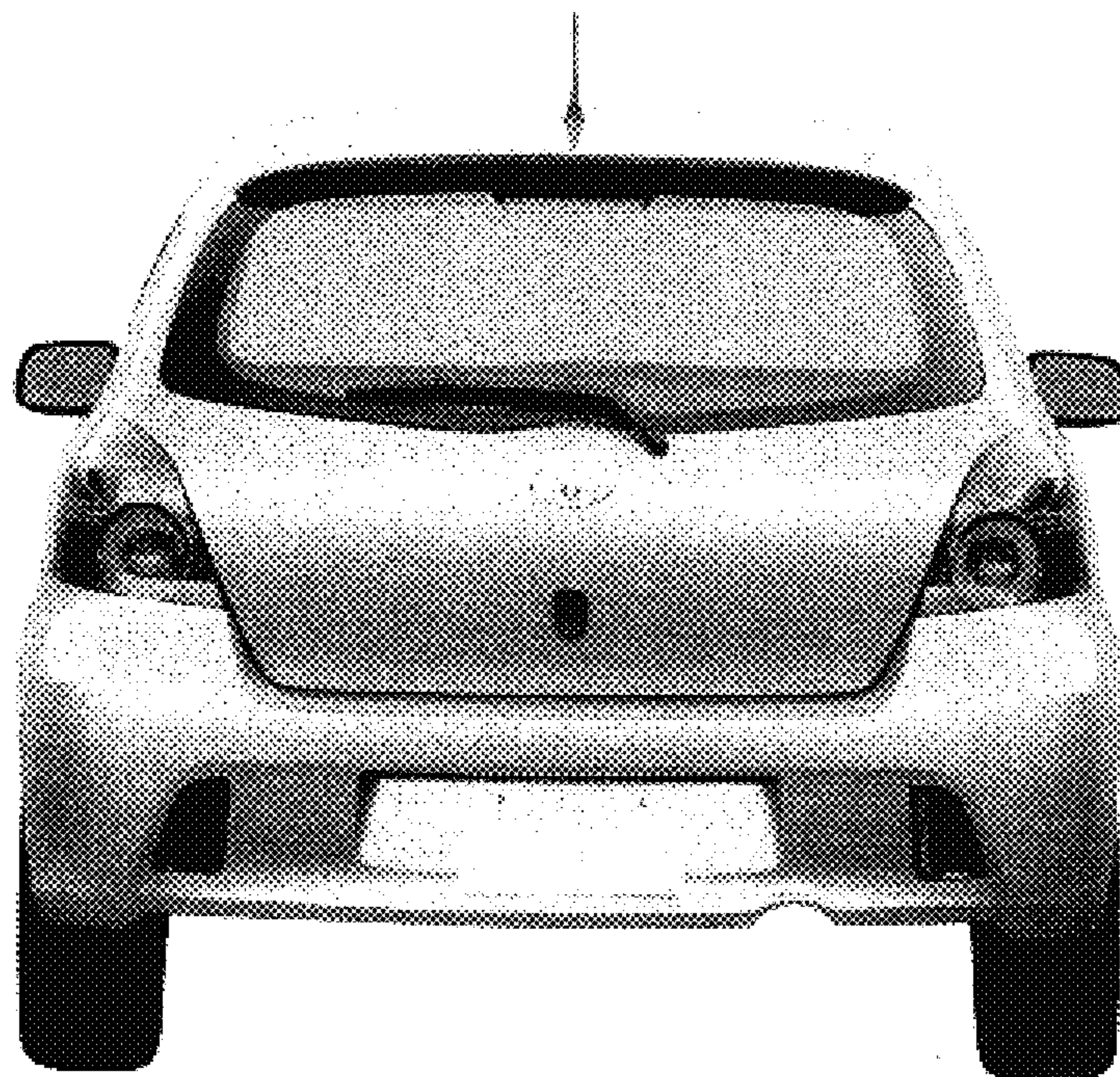


FIG. 4

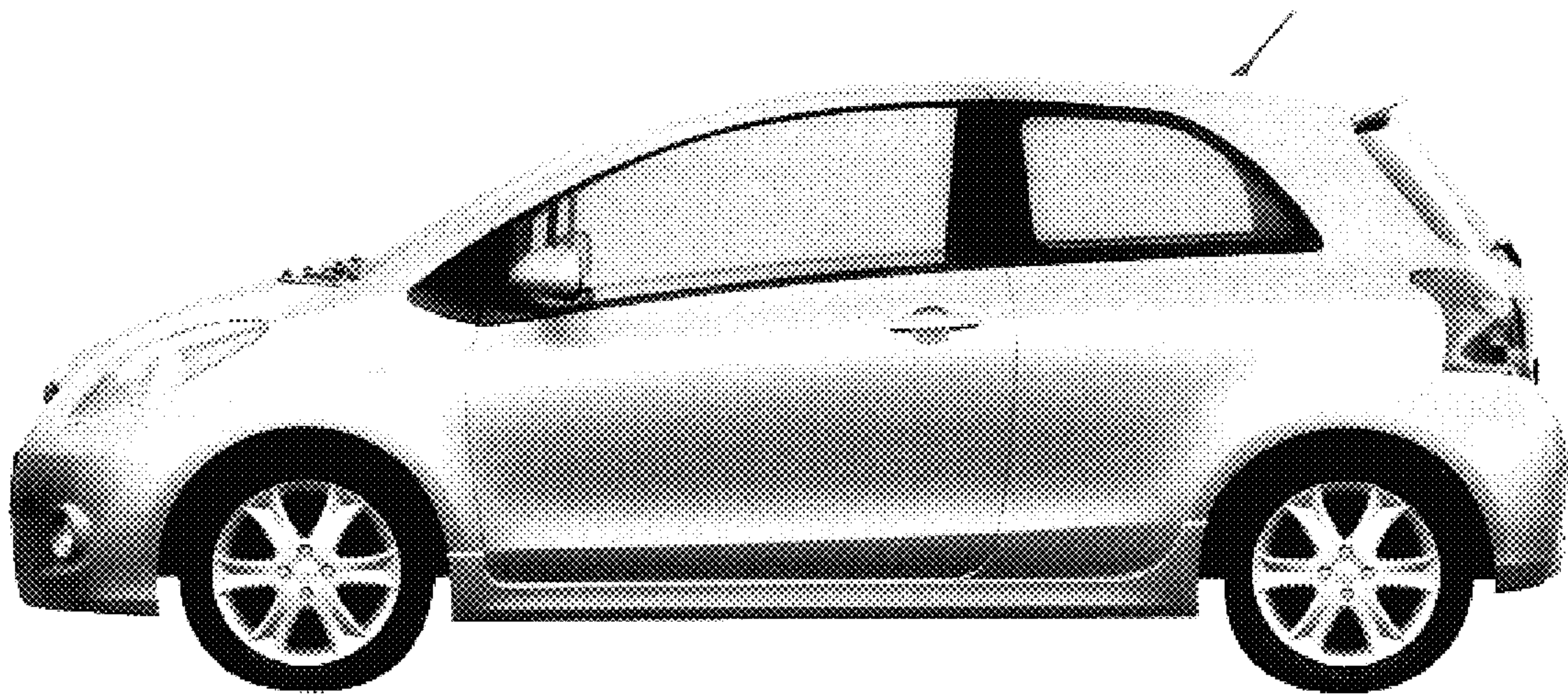


FIG. 5

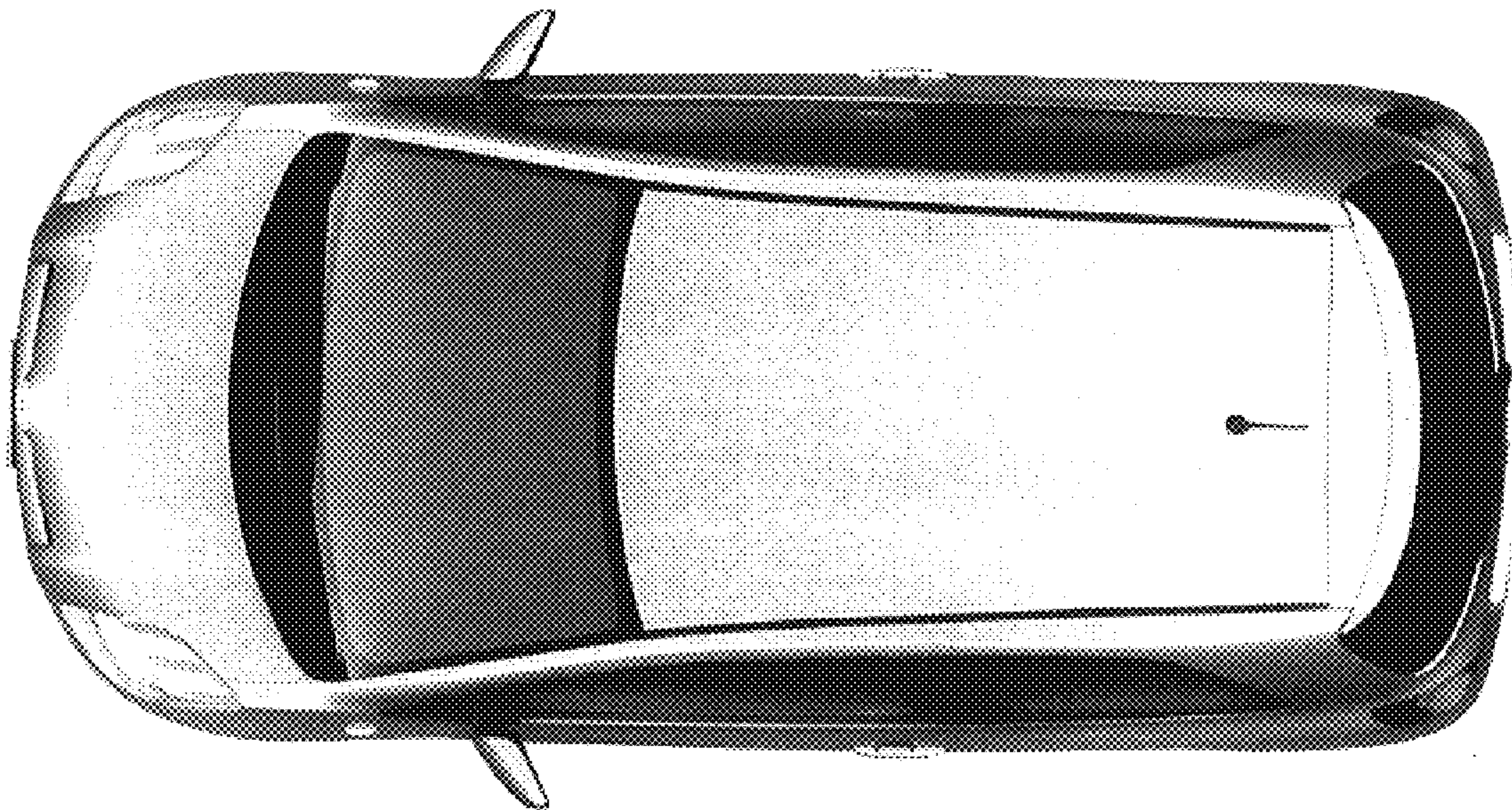


FIG. 6

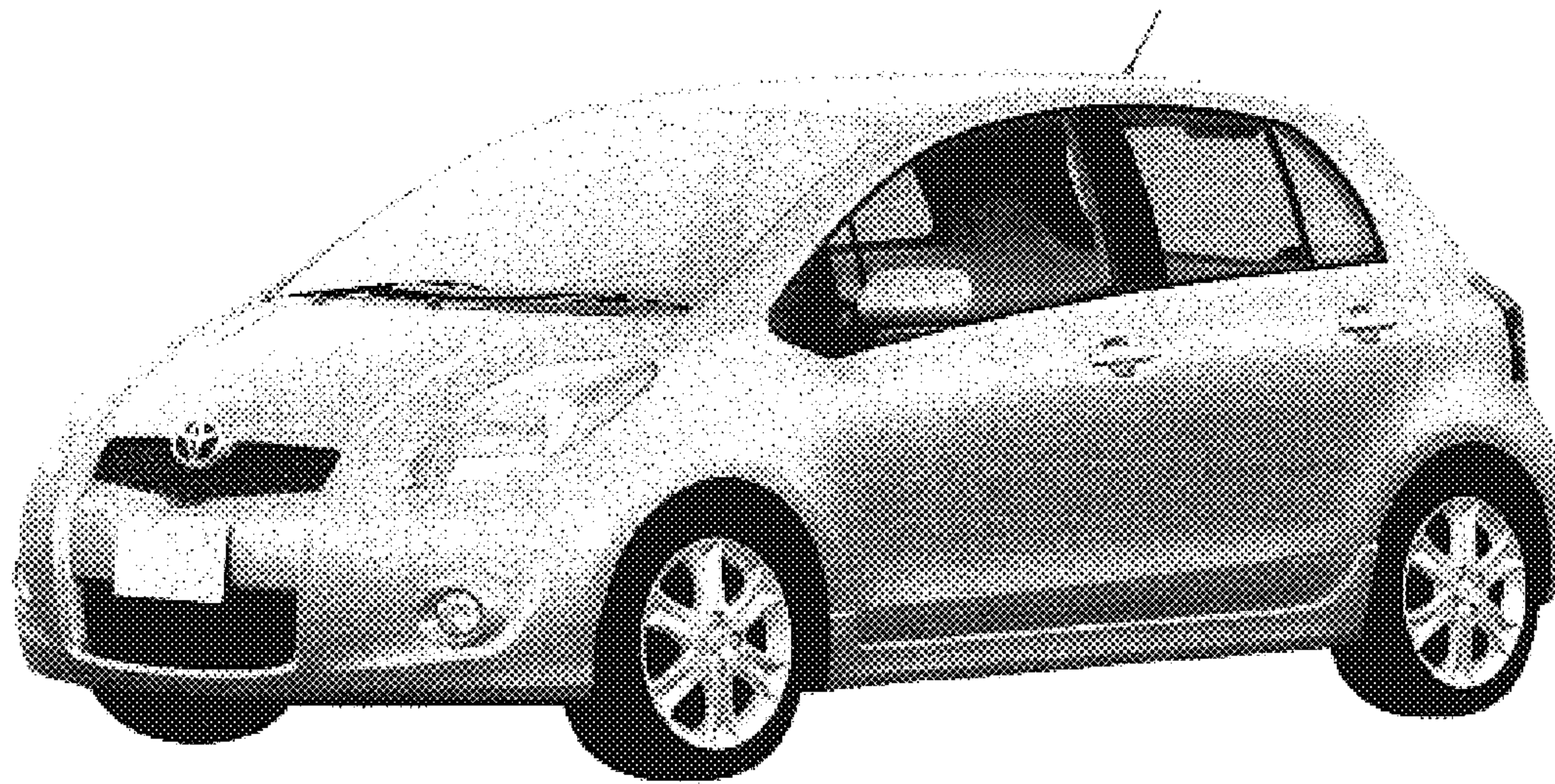


FIG. 7

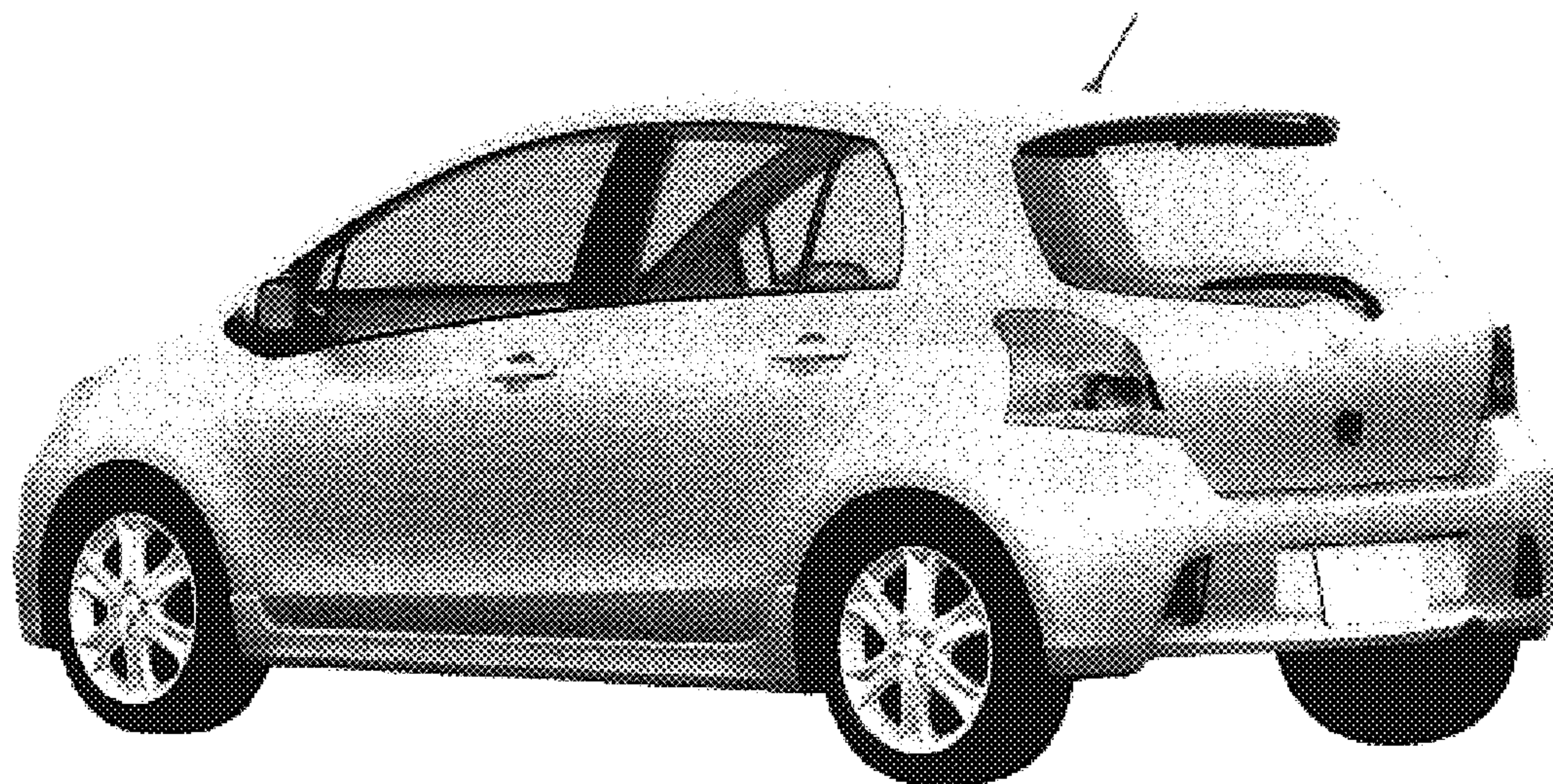


FIG. 8

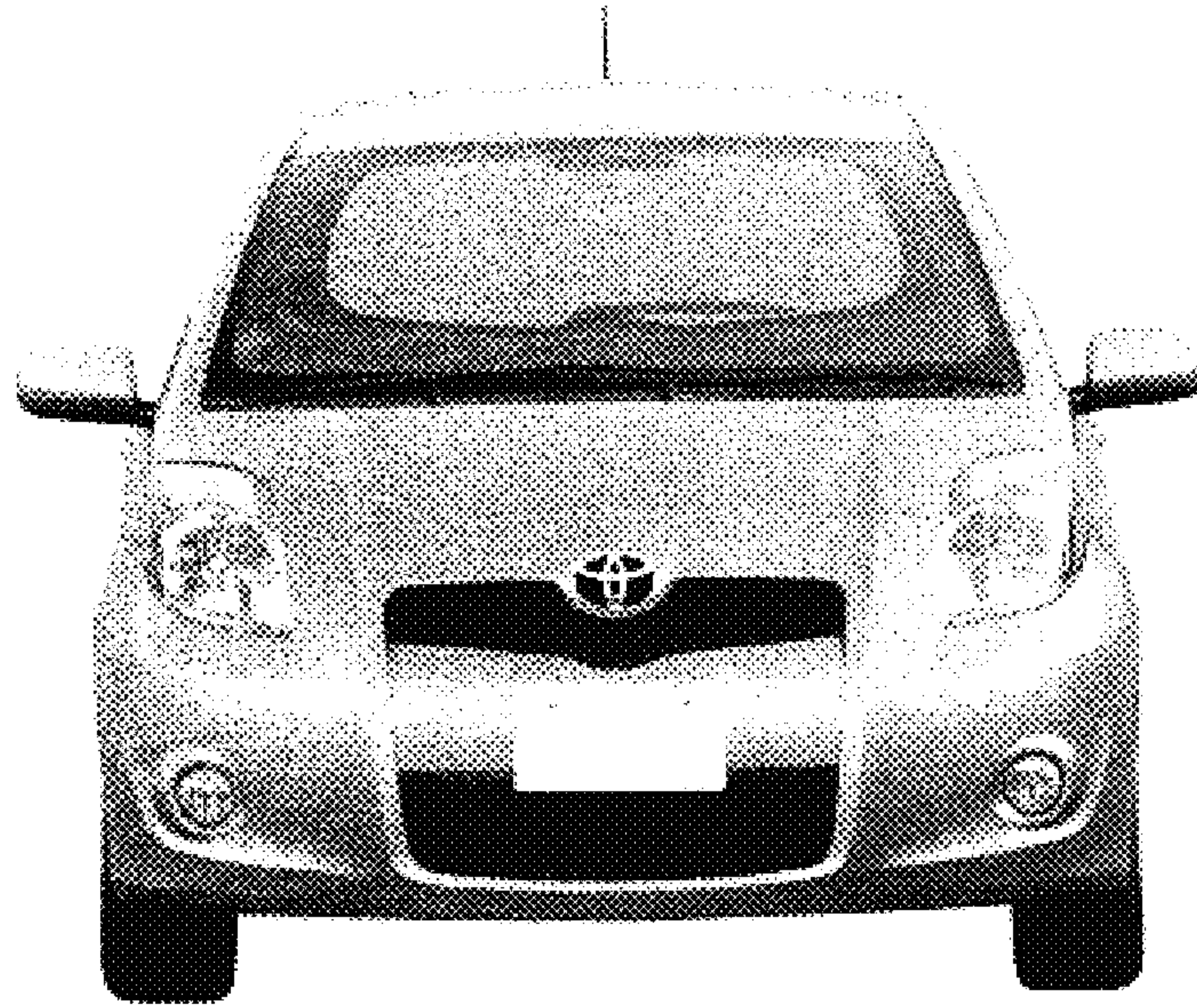


FIG. 9

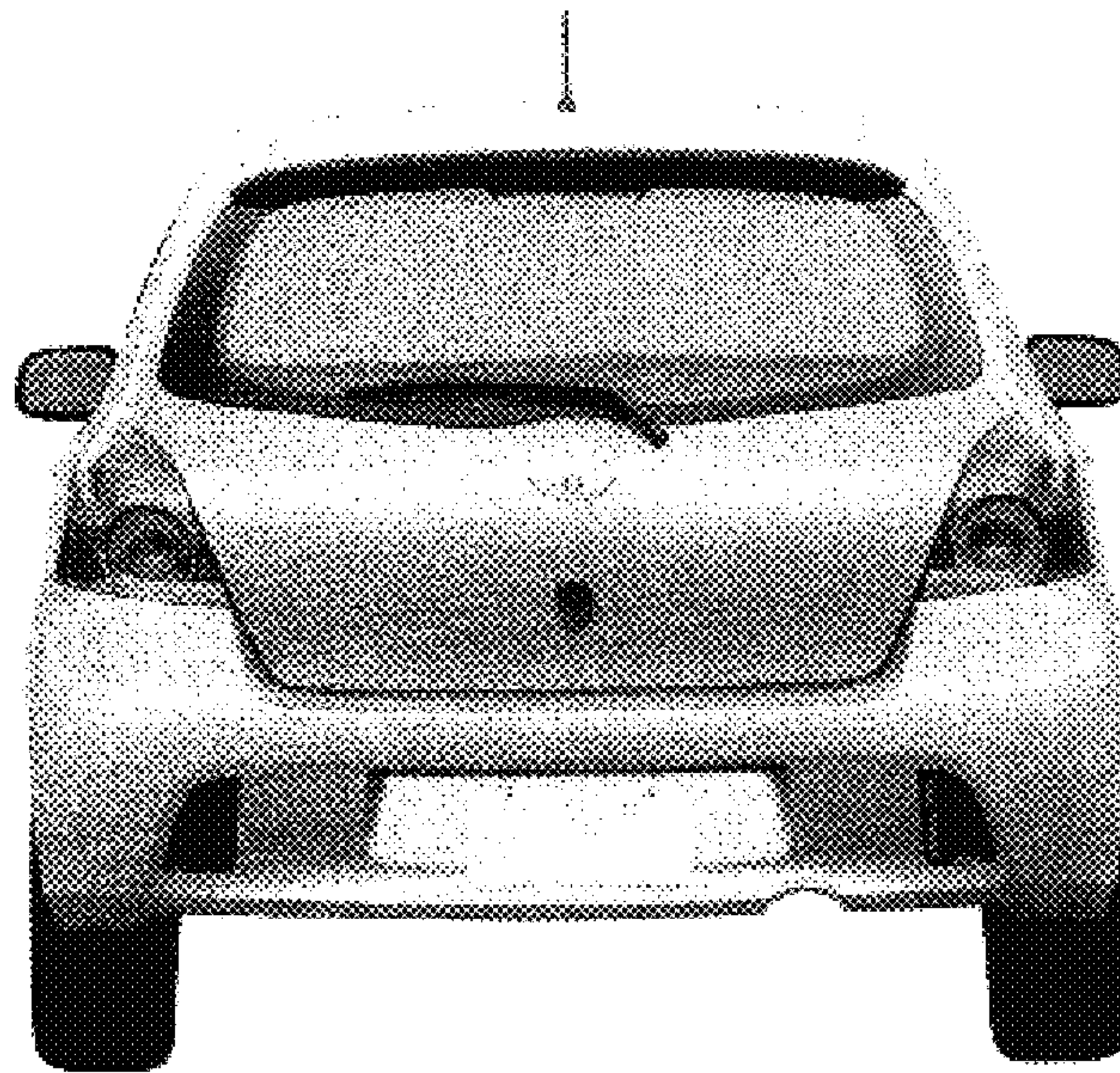


FIG. 10

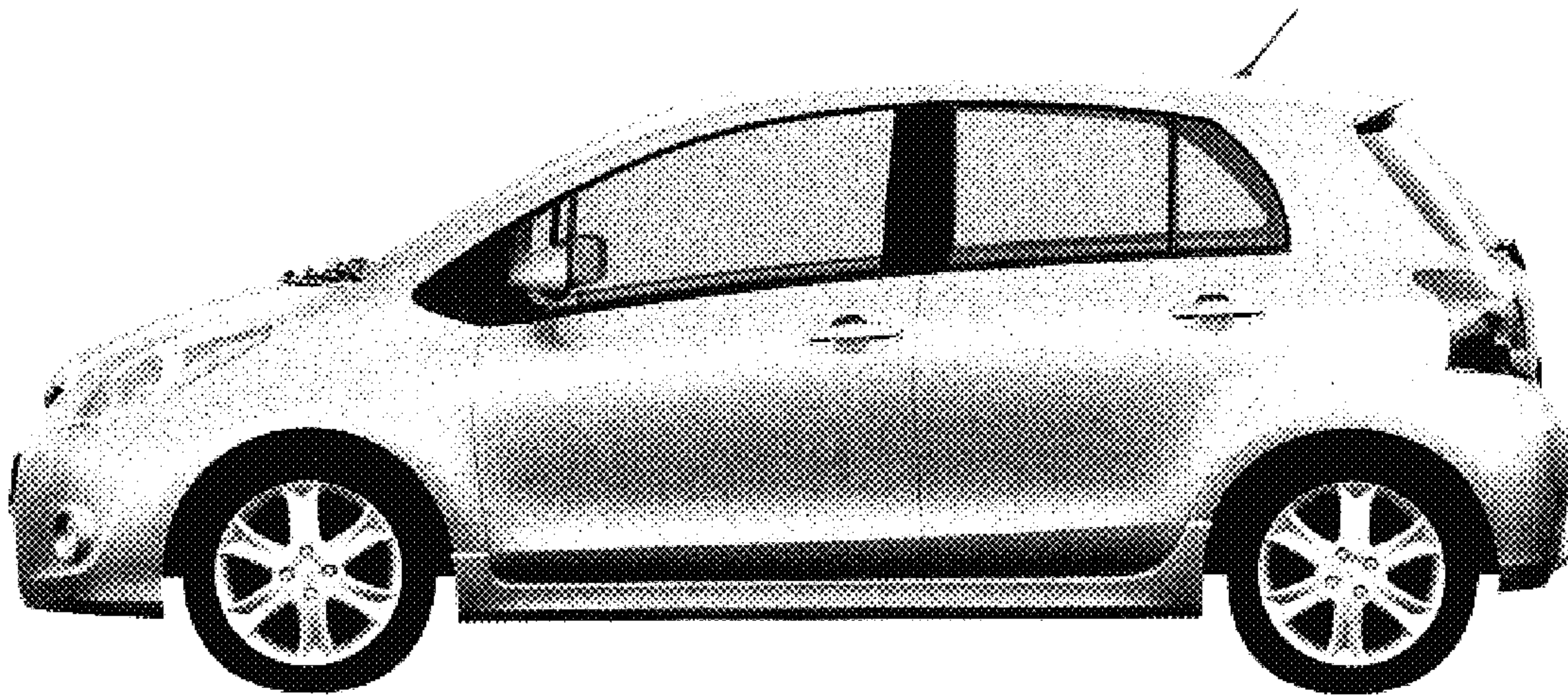


FIG. 11

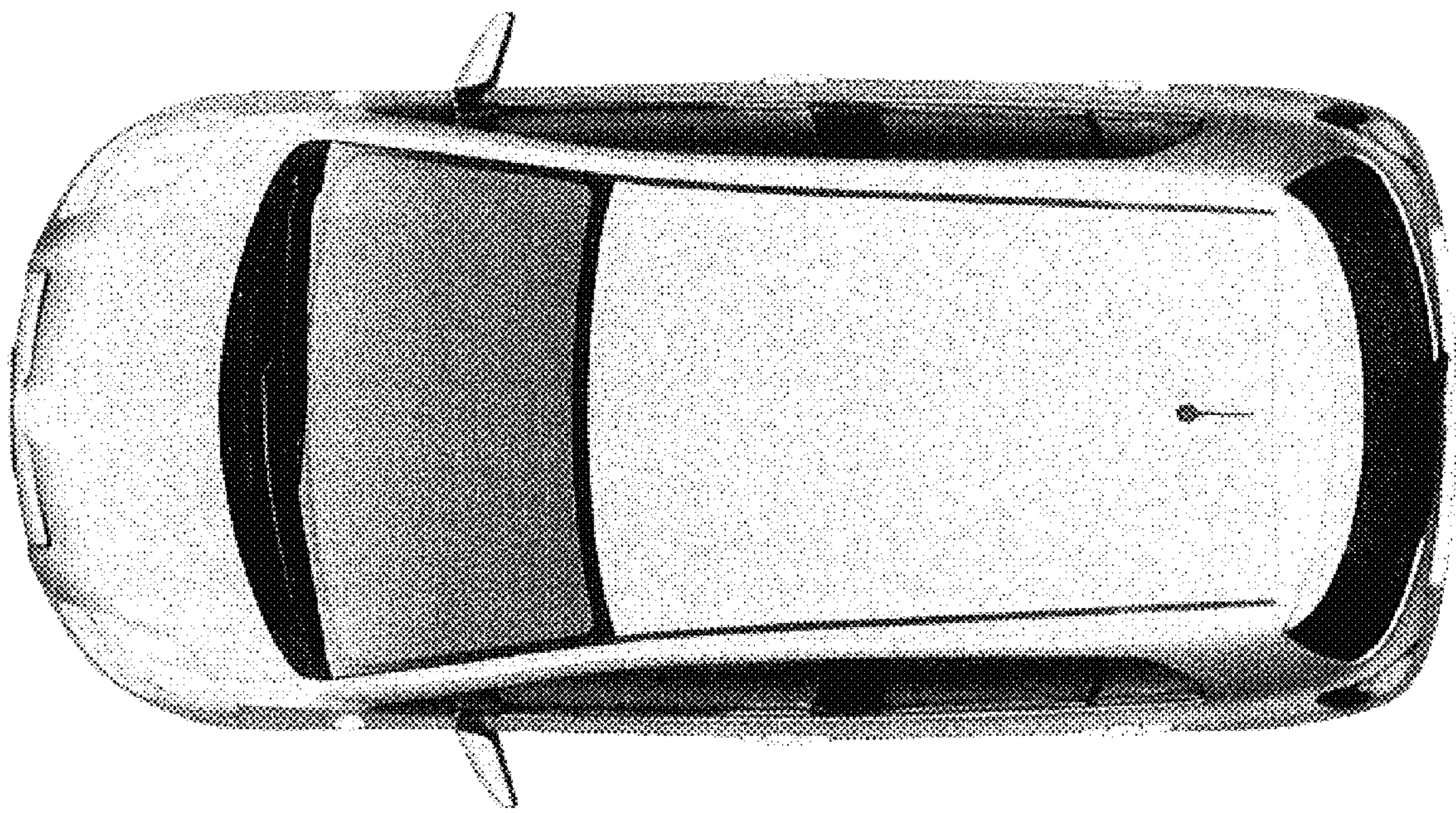


FIG. 12