

US00D528465S

(12) **United States Design Patent**  
**Quarters**

(10) **Patent No.:** **US D528,465 S**

(45) **Date of Patent:** **\*\* Sep. 19, 2006**

(54) **MOTIVATIONAL DISPLAY**

(76) Inventor: **Linda L. Quarters**, 16 Winthrop Ave.,  
West Warwick, RI (US) 02893

(\*\*) Term: **14 Years**

(21) Appl. No.: **29/244,050**

(22) Filed: **Dec. 5, 2005**

(51) **LOC (8) Cl.** ..... **11-02**

(52) **U.S. Cl.** ..... **D11/157; D11/131**

(58) **Field of Classification Search** ..... D11/61,  
D11/116, 131, 132, 133, 157; D9/652; D19/95-97;  
D20/10, 12, 29; 428/7-16, 542.2, 542.4;  
40/658

See application file for complete search history.

(56) **References Cited**

**U.S. PATENT DOCUMENTS**

D100,543 S	*	7/1936	Cullinan	.....	D19/97
2,996,300 A	*	8/1961	Schaper	.....	273/161
D202,594 S	*	10/1965	Hrolenok	.....	D19/96
D262,275 S	*	12/1981	Puglise	.....	D11/157
4,946,745 A	*	8/1990	Kempa	.....	428/542.2
5,065,289 A	*	11/1991	Teng	.....	362/101
D360,366 S		7/1995	McGill		
5,484,630 A	*	1/1996	McCall et al.	.....	428/11

5,506,010 A		4/1996	Buck et al.		
D401,808 S		12/1998	Grivsky		
D407,451 S		3/1999	Disco		
D411,483 S	*	6/1999	Greene, Jr.	.....	D11/157
6,296,220 B1	*	10/2001	Texidor	.....	248/346.01
D452,532 S	*	12/2001	Ornelas	.....	D19/90
D455,048 S		4/2002	Marck		
D491,989 S		6/2004	Wilson, Sr.		
2003/0215584 A1	*	11/2003	Tsai	.....	428/13

\* cited by examiner

*Primary Examiner*—Catherine Tuttle

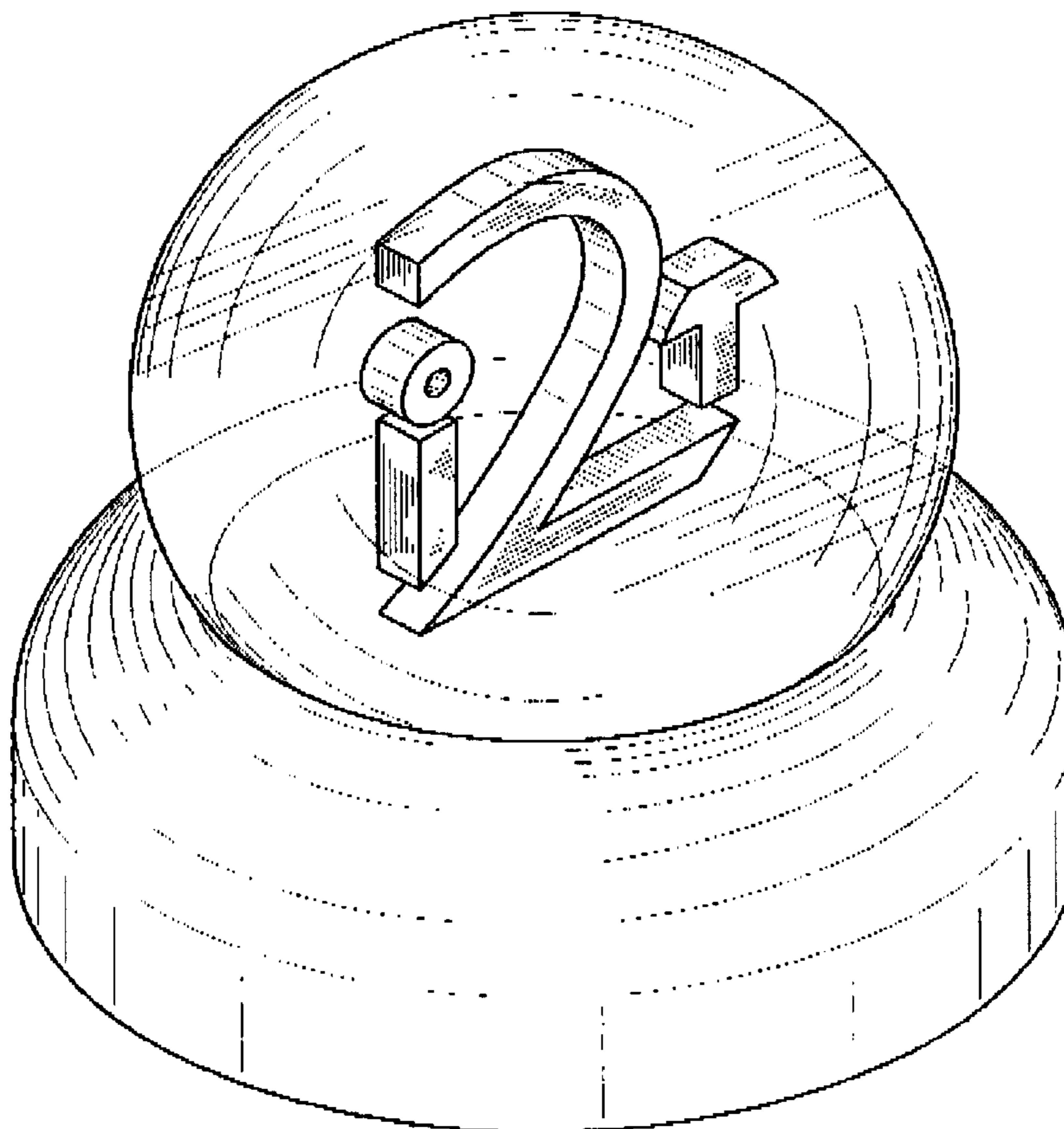
(57) **CLAIM**

The ornamental design for a motivational display, as shown and described.

**DESCRIPTION**

FIG. 1 is a front elevational view of a motivational display showing my new design;  
FIG. 2 is a rear elevational view thereof;  
FIG. 3 is a top plan view thereof;  
FIG. 4 is a bottom plan view thereof;  
FIG. 5 is a right side elevational thereof;  
FIG. 6 is a left side elevational thereof; and,  
FIG. 7 is a perspective view thereof.

**1 Claim, 4 Drawing Sheets**



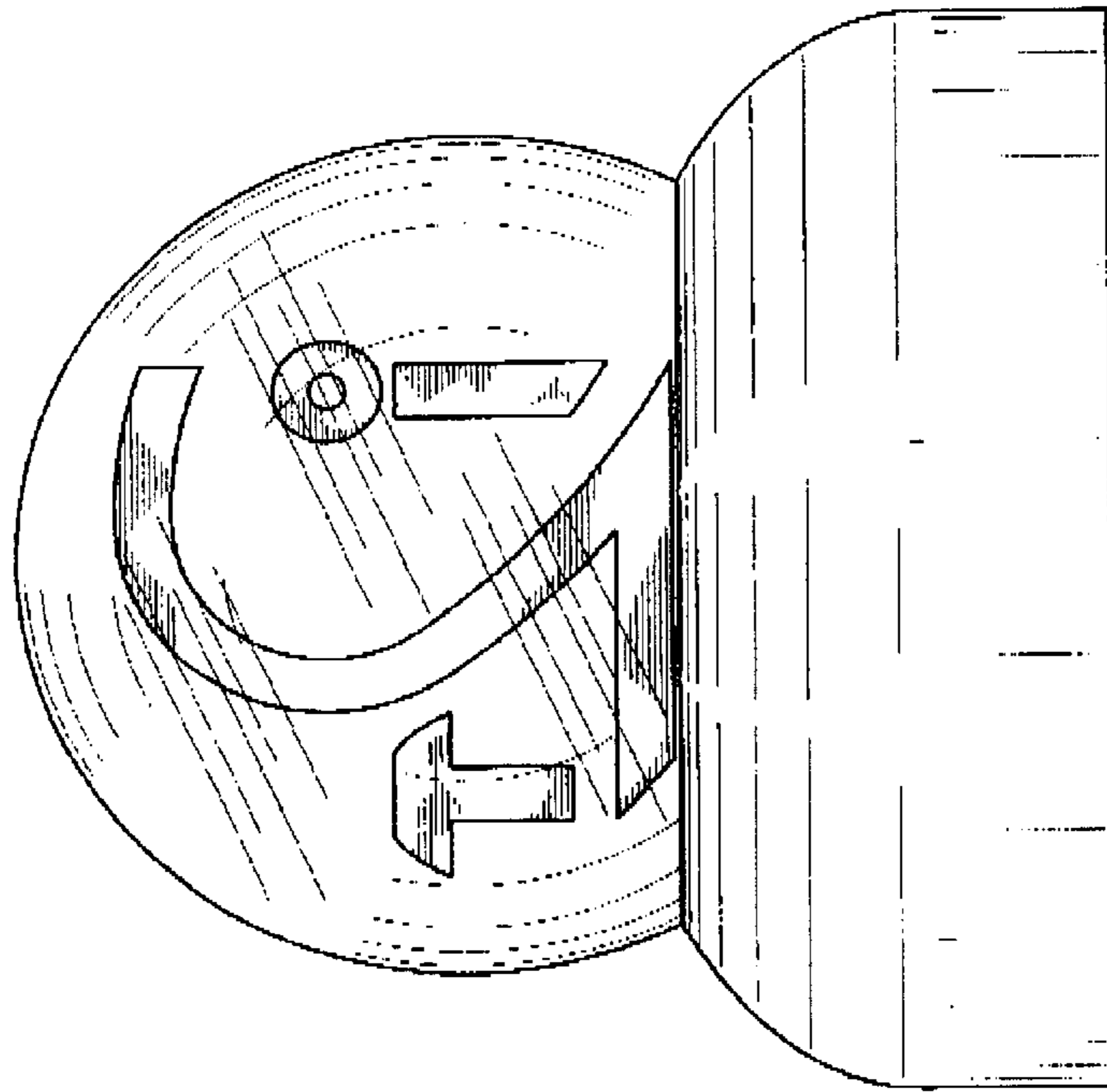


FIG. 2

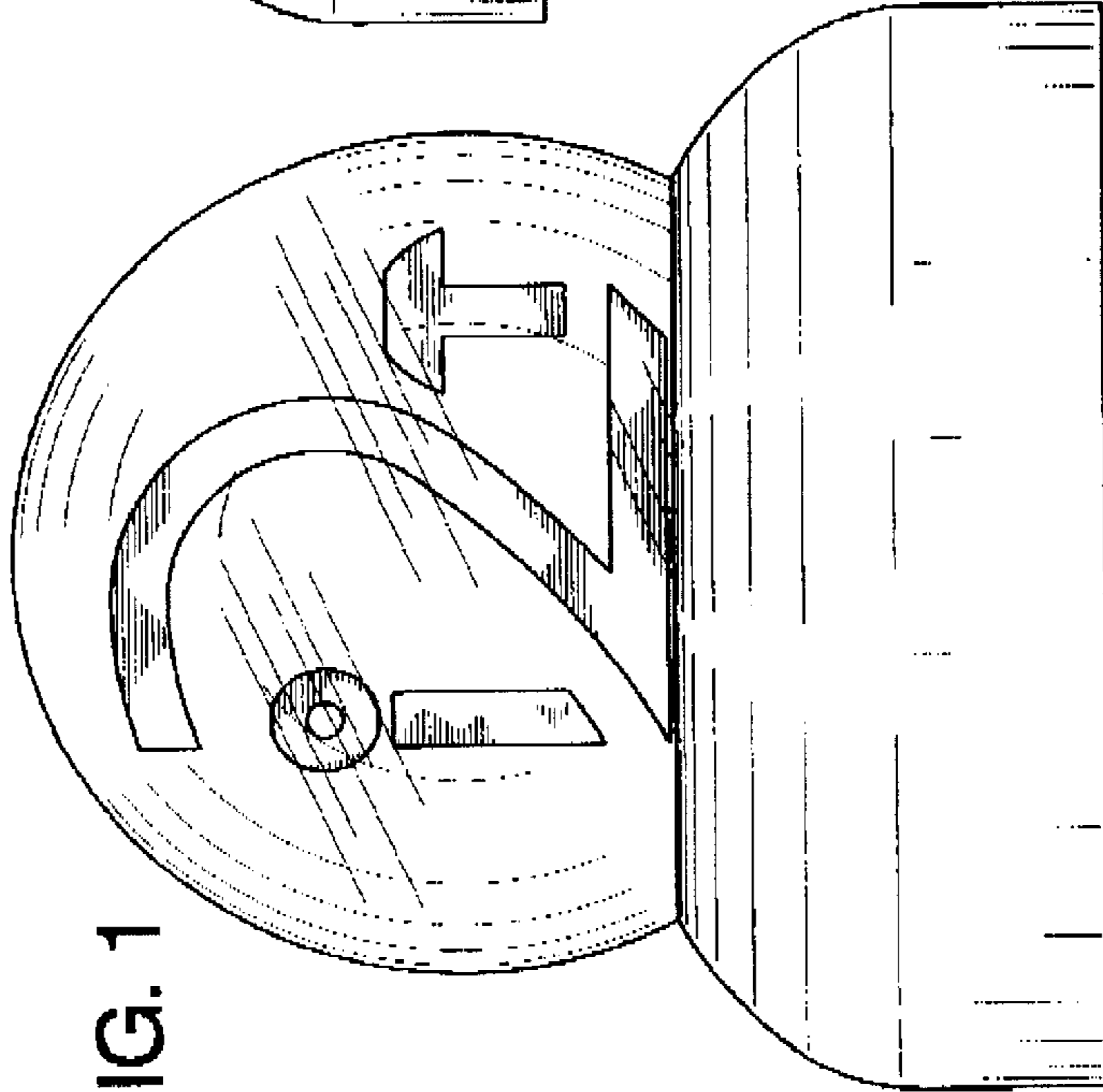


FIG. 1

FIG. 3

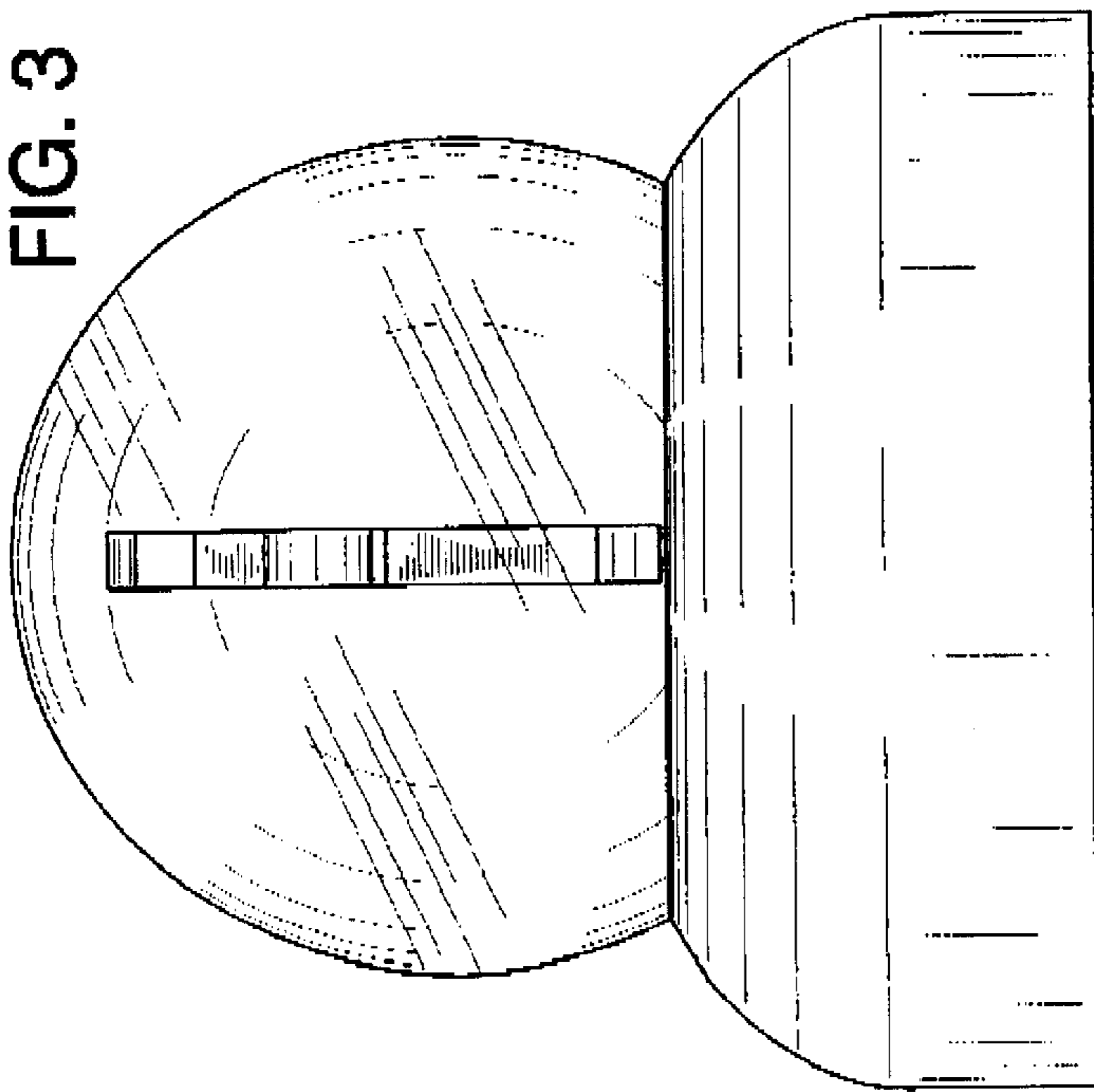
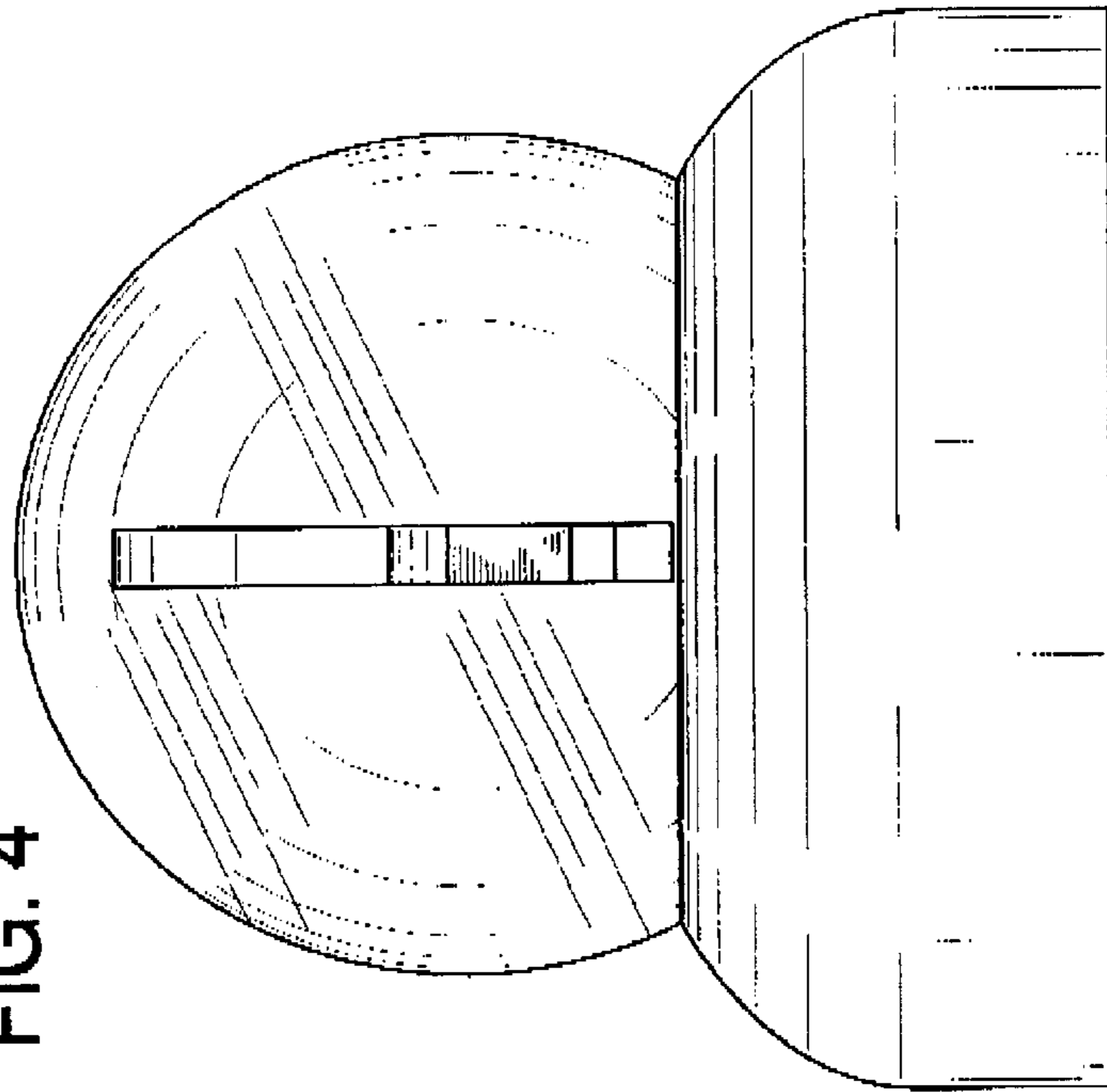


FIG. 4



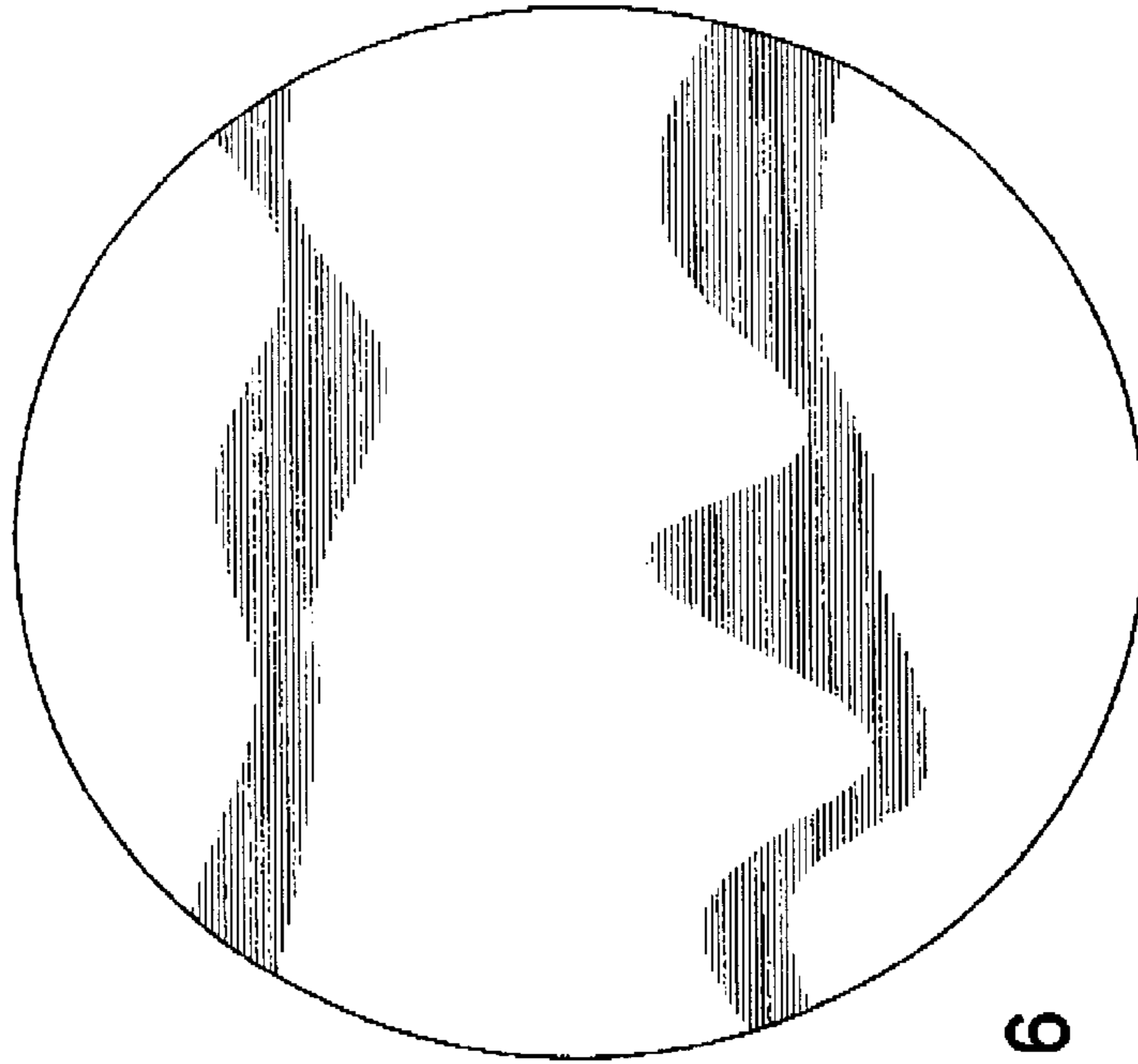
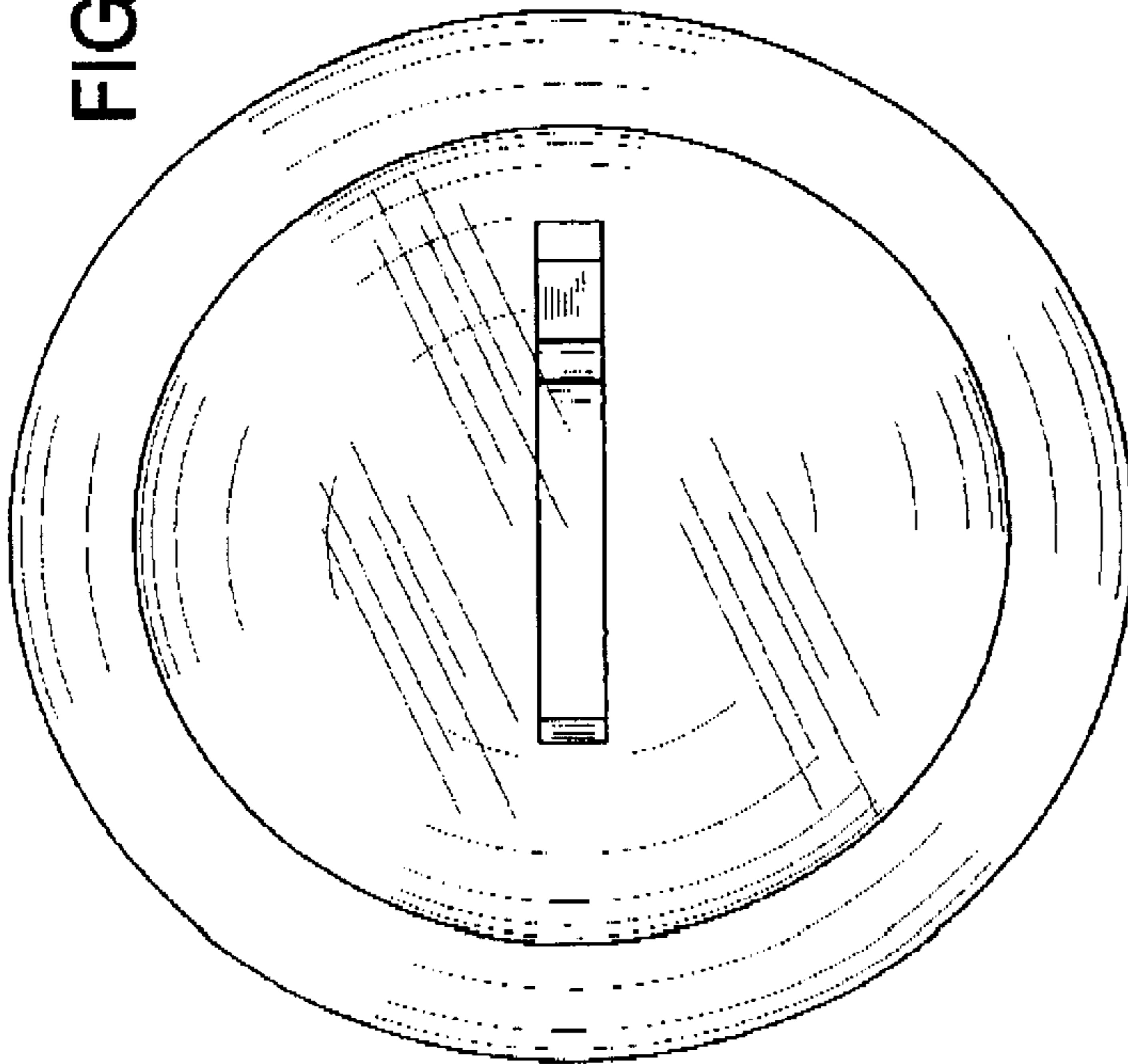


FIG. 5

FIG. 6



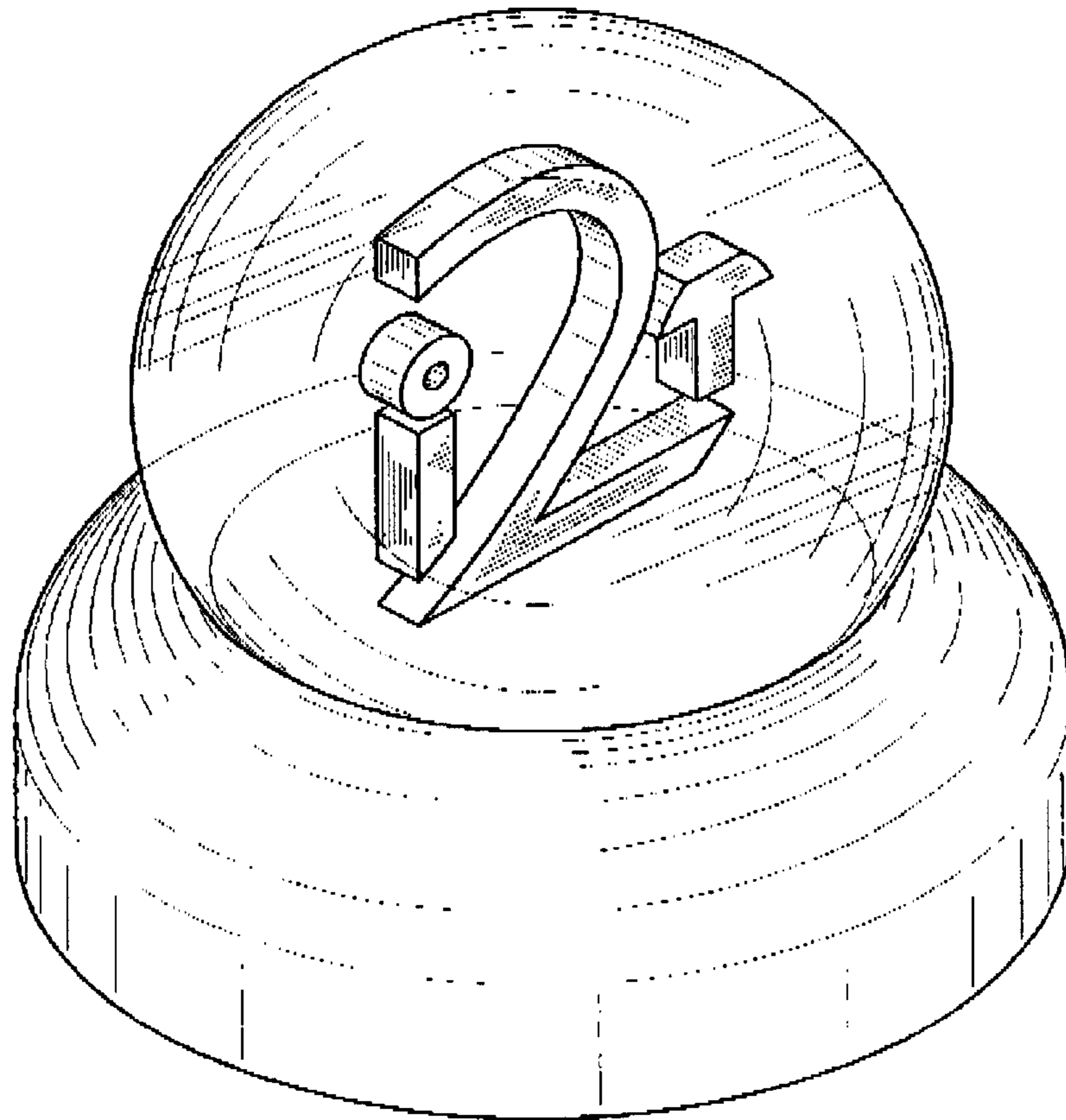


FIG. 7