



US00D528450S

(12) **United States Design Patent**
Petrucelli

(10) **Patent No.:** **US D528,450 S**

(45) **Date of Patent:** **** Sep. 19, 2006**

- (54) **TIRE PRESSURE GAUGE**
- (75) Inventor: **Steven Petrucelli**, Cranbury, NJ (US)
- (73) Assignee: **Measurement Limited**
- (**) Term: **14 Years**

- D349,659 S 8/1994 Huang D10/86
- D352,252 S 11/1994 Huang D10/86
- D361,950 S 9/1995 Mascio D10/86
- D366,845 S 2/1996 Handfield et al. D10/86
- D366,846 S 2/1996 Handfield et al. D10/86
- D367,432 S 2/1996 Solloway D10/86

(Continued)

- (21) Appl. No.: **29/251,156**
- (22) Filed: **Jan. 4, 2006**
- (51) **LOC (8) Cl.** **10-04**
- (52) **U.S. Cl.** **D10/86**
- (58) **Field of Classification Search** D10/86;
73/146.3, 146.8, 744; 116/34 R; 702/140
See application file for complete search history.

Primary Examiner—Antoine D. Davis
(74) *Attorney, Agent, or Firm*—Plevy, Howard & Darcy, PC

(57) **CLAIM**

The ornamental design for a tire pressure gauge, as shown and described.

DESCRIPTION

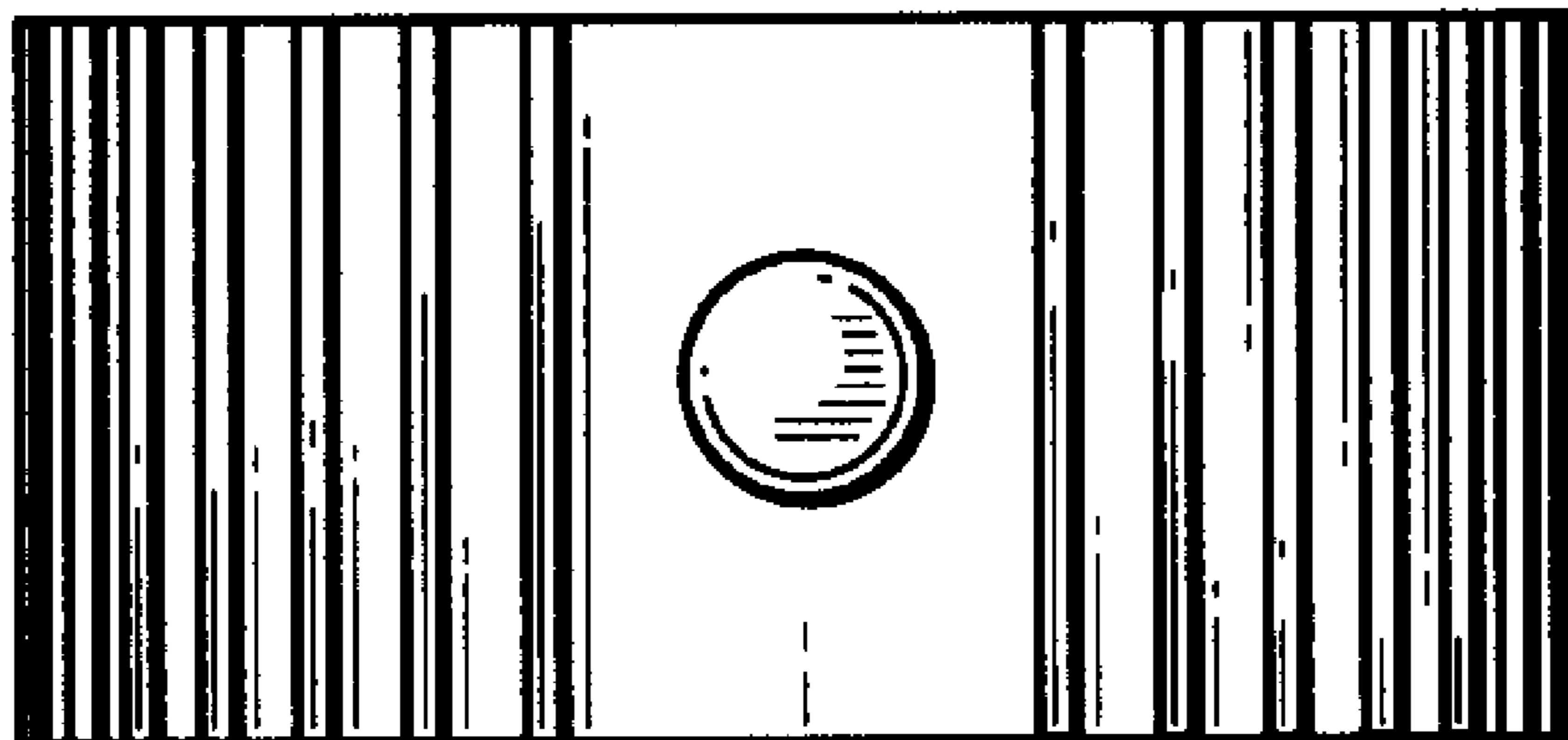
(56) **References Cited**

U.S. PATENT DOCUMENTS

- D247,429 S 3/1978 Teal D10/86
- D259,863 S 7/1981 Eller D10/86
- D280,215 S 8/1985 Huang D19/36
- D286,270 S 10/1986 Huang D10/86
- D294,229 S 2/1988 Bonazzi D10/46
- 4,748,845 A 6/1988 Rocco et al. 73/146.8
- 4,782,448 A 11/1988 Milstein 364/484.01
- D300,729 S 4/1989 Skaggs et al. D10/86
- 4,827,764 A 5/1989 Hwang 73/146.8
- 4,845,980 A * 7/1989 Weng 73/744
- 4,916,944 A * 4/1990 Ho-Chuan 73/146.8
- 4,924,697 A 5/1990 Hunt et al. 73/146.8
- D314,159 S 1/1991 O'Connor D10/86
- 4,998,438 A 3/1991 Martin 73/146.8
- D316,980 S 5/1991 Brinker et al. D10/86
- D317,880 S 7/1991 Meehan D10/86
- 5,033,296 A 7/1991 Huang 73/146.8
- D320,170 S 9/1991 Hwang D10/86
- D320,756 S 10/1991 Ohno et al. D10/86
- 5,117,684 A 6/1992 Hwang 73/146.8
- D331,371 S 12/1992 Weng D10/86
- D335,465 S 5/1993 Garrison, III D10/86
- D336,735 S 6/1993 Nulsen D10/86
- D337,730 S 7/1993 Rosenfeld D10/86
- D338,839 S 8/1993 Akins D10/86

FIG. 1 is a perspective view of a tire pressure gauge showing my new design;
 FIG. 2 is a front view of a tire pressure gauge of FIG. 1 showing my new design;
 FIG. 3 is a rear view of the tire pressure gauge of FIG. 1 showing my new design;
 FIG. 4 is a right-side elevational view of the tire pressure gauge of FIG. 1 showing my new design;
 FIG. 5 is a left-side elevational view of the tire pressure gauge of FIG. 1 showing my new design;
 FIG. 6 is a top view of the tire pressure gauge of FIG. 1 showing my new design;
 FIG. 7 is a bottom view of the tire pressure gauge of FIG. 1 showing my new design;
 FIG. 8 is a perspective view of an alternative embodiment of a tire pressure gauge showing my new design, with a display shown in an unenergized state;
 FIG. 9 is a front view of the tire pressure gauge of FIG. 8; and,
 FIG. 10 is a front view of the tire pressure gauge of FIG. 8, with the display depicted in an exemplary energized state, the remaining views of this alternative embodiment being the same as FIGS. 3–7.
 The matter shown in broken lines is shown for illustrative purposes only, and forms no part of the claimed invention.

1 Claim, 9 Drawing Sheets



US D528,450 S

Page 2

U.S. PATENT DOCUMENTS

5,640,776 A	6/1997	Krauss	33/203	D462,627 S	9/2002	Petrucelli	D10/86
D390,140 S	2/1998	Germanton	D10/86	D469,706 S	2/2003	Huang	D10/86
D395,835 S	7/1998	Okuyama et al.	D10/85	D472,172 S	3/2003	Fujioka et al.	D10/86
D402,997 S	12/1998	Campbell et al.	D15/7	D474,124 S	5/2003	Krieger et al.	D10/86
D409,509 S	5/1999	Petrucelli et al.	D10/86	D488,082 S	4/2004	Durr et al.	D10/86
D409,931 S	5/1999	Petrucelli et al.	D10/86	D491,480 S	6/2004	Huang et al.	D10/86
D419,085 S	1/2000	Prus	D10/86	D492,608 S	7/2004	Fujioka	D10/86
D420,299 S	2/2000	Jahn	D10/86	D496,602 S	9/2004	Shipman	D10/86
D427,092 S	6/2000	Wu	D10/86	D498,154 S	11/2004	Wang	D10/86
D427,093 S	6/2000	Wu	D10/86	D501,146 S	1/2005	Durr et al.	D10/86
D440,893 S	4/2001	Van Zeyl	D10/86	D501,417 S	2/2005	Tseng	D10/86
D440,894 S	4/2001	Van Zeyl	D10/86	D501,418 S	2/2005	Wang	D10/86
D440,895 S	4/2001	Van Zeyl	D10/86	D502,214 S	2/2005	Davis et al.	D19/36
D441,674 S	5/2001	Van Zeyl	D10/86	D502,656 S	3/2005	Fujioka	D10/86
D447,970 S	9/2001	Cappiello et al.	D10/86	D502,734 S	3/2005	Davis et al.	D19/36
D450,257 S	11/2001	Bressler et al.	D10/86	D502,735 S	3/2005	Davis et al.	D19/36
D455,361 S	4/2002	Super et al.	D10/86	D503,898 S	4/2005	Durr et al.	D10/86
D455,666 S	4/2002	Cappiello et al.	D10/86	D504,630 S	5/2005	Wang	D10/86
D458,857 S	6/2002	Tseng	D10/86	D505,088 S	5/2005	Durr et al.	D10/86
D459,257 S	6/2002	Petrucelli	D10/86	D505,871 S	6/2005	Little et al.	D10/85
D459,668 S	7/2002	Petrucelli	D10/86	D505,872 S	6/2005	Durr et al.	D10/86
D460,704 S	7/2002	Peele	D10/86	D506,154 S	6/2005	Cowan et al.	D10/86

* cited by examiner

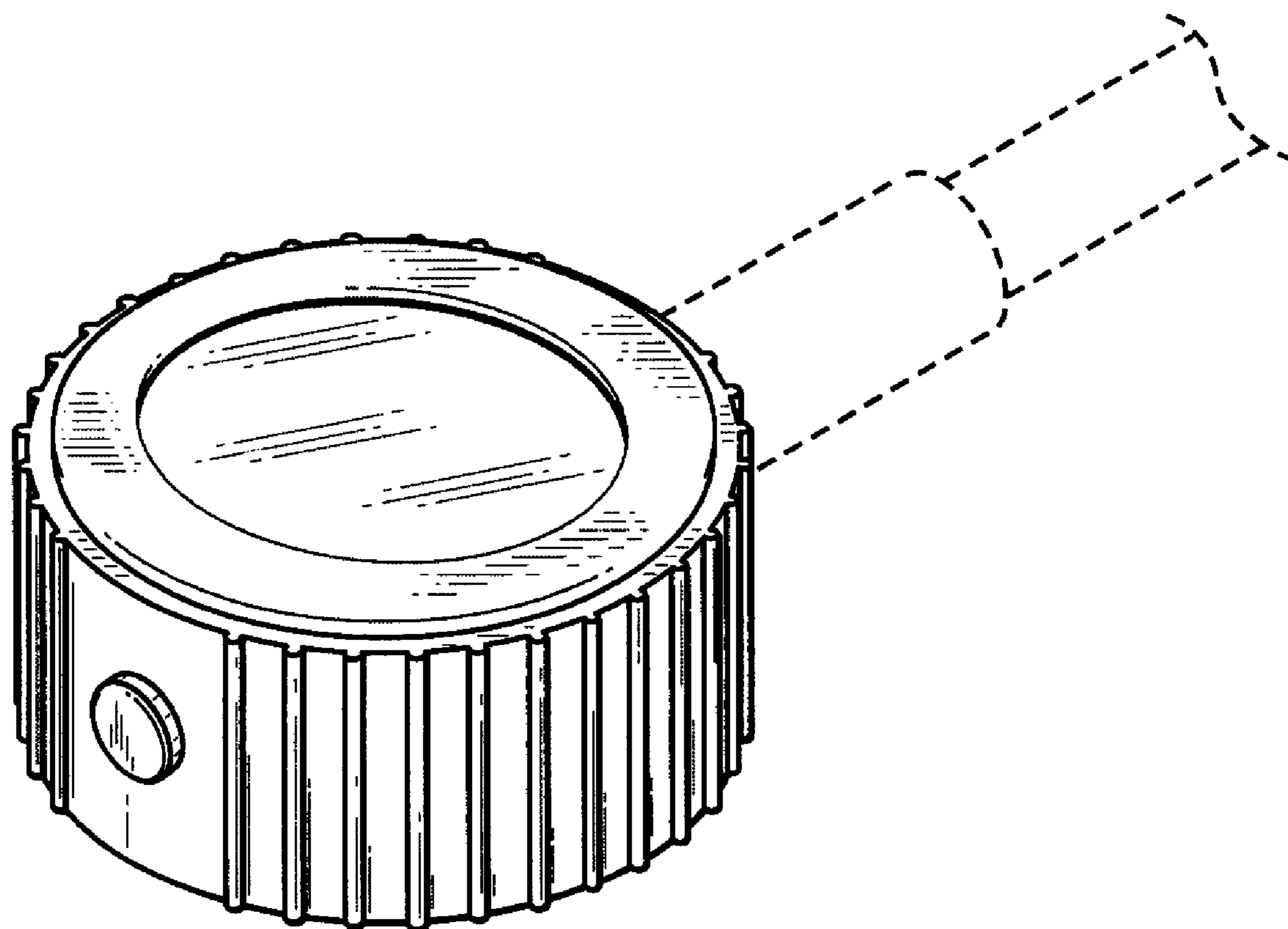


FIG. 1

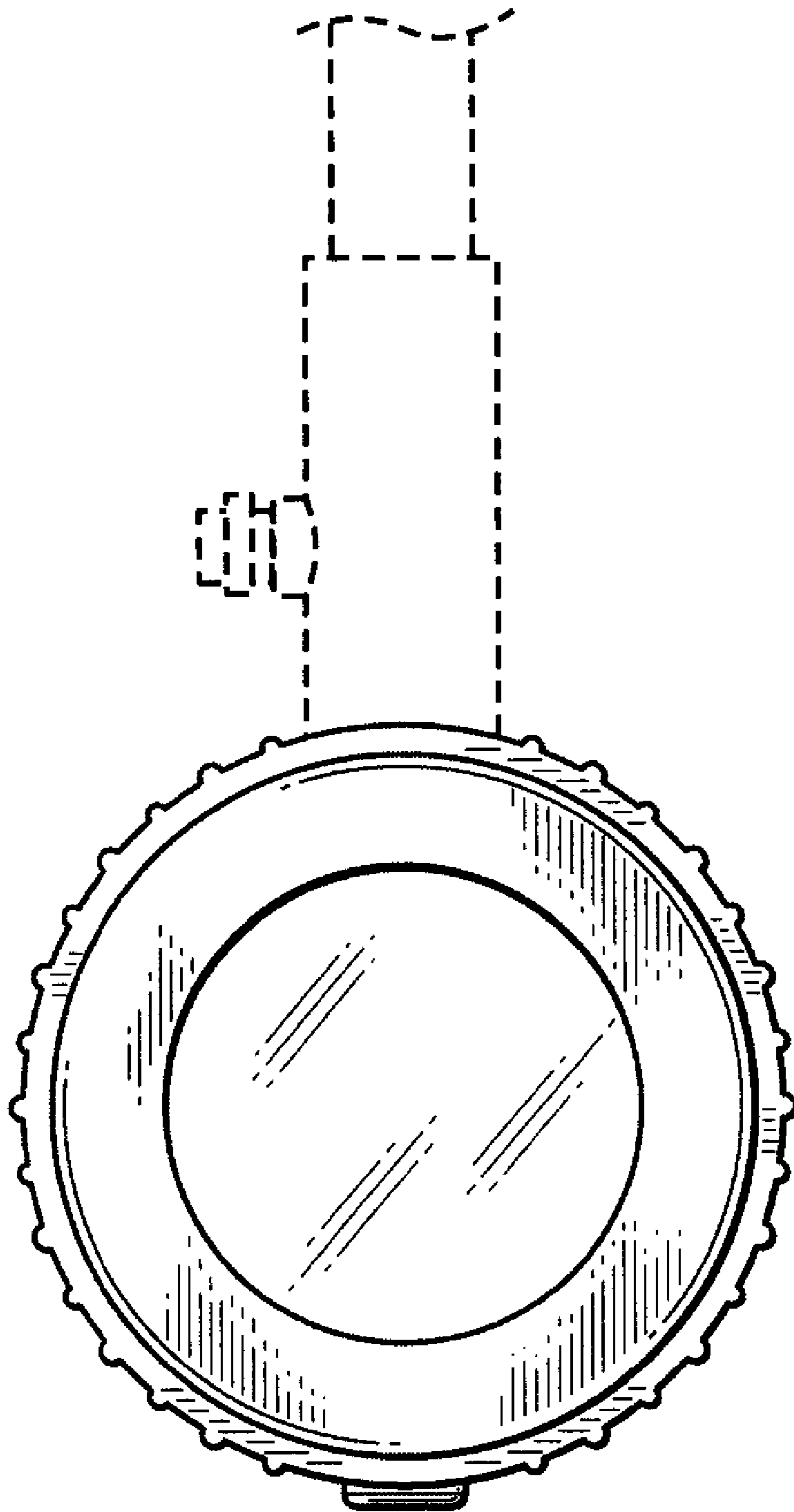


FIG. 2

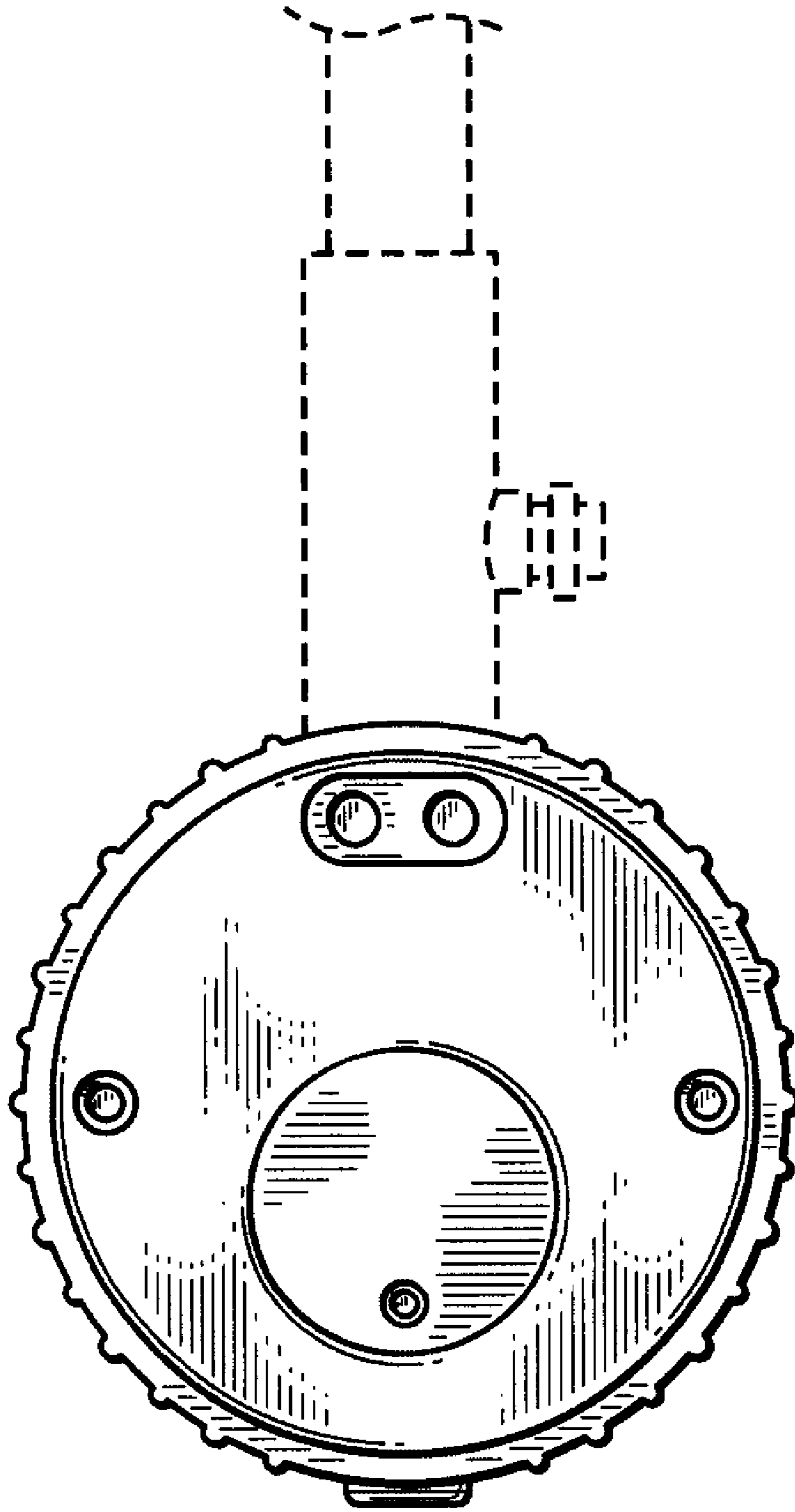


FIG. 3

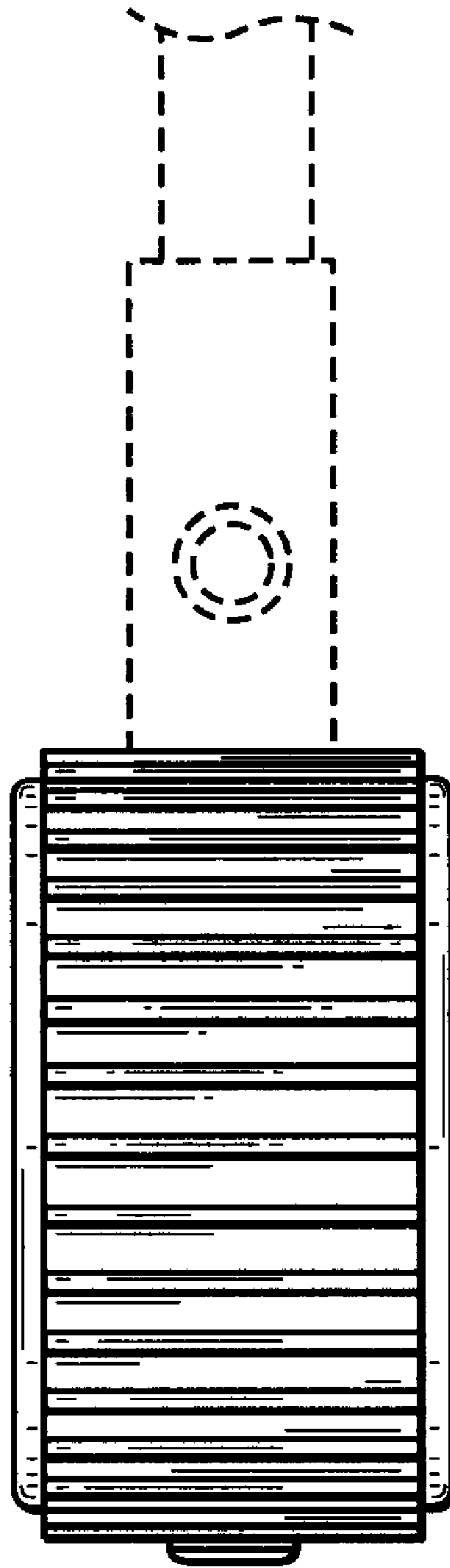


FIG. 4

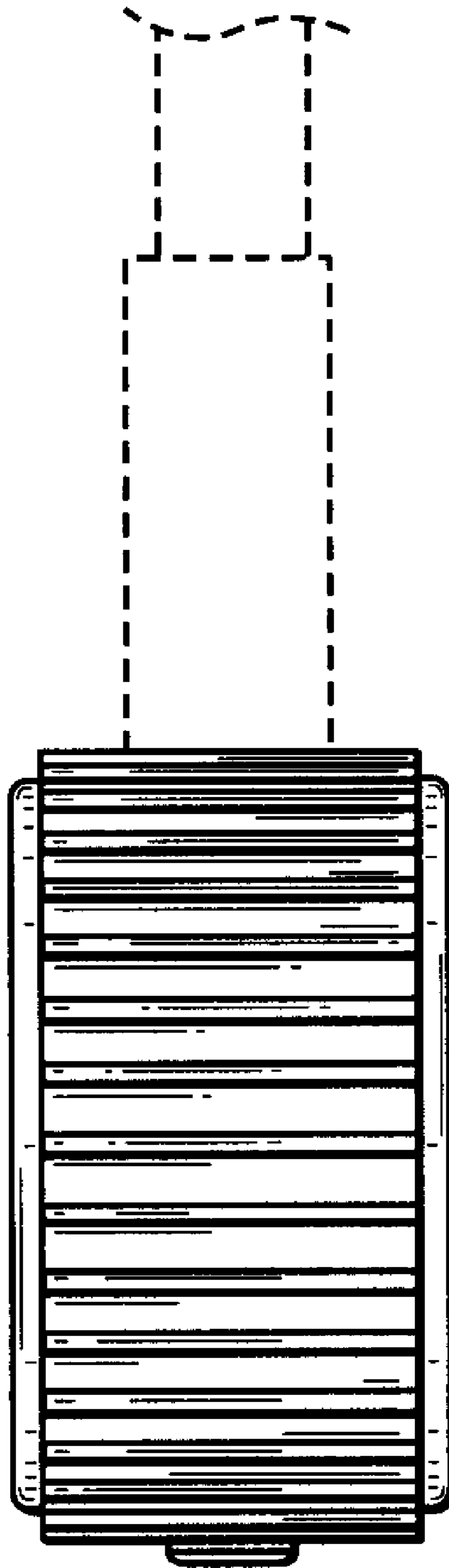


FIG. 5

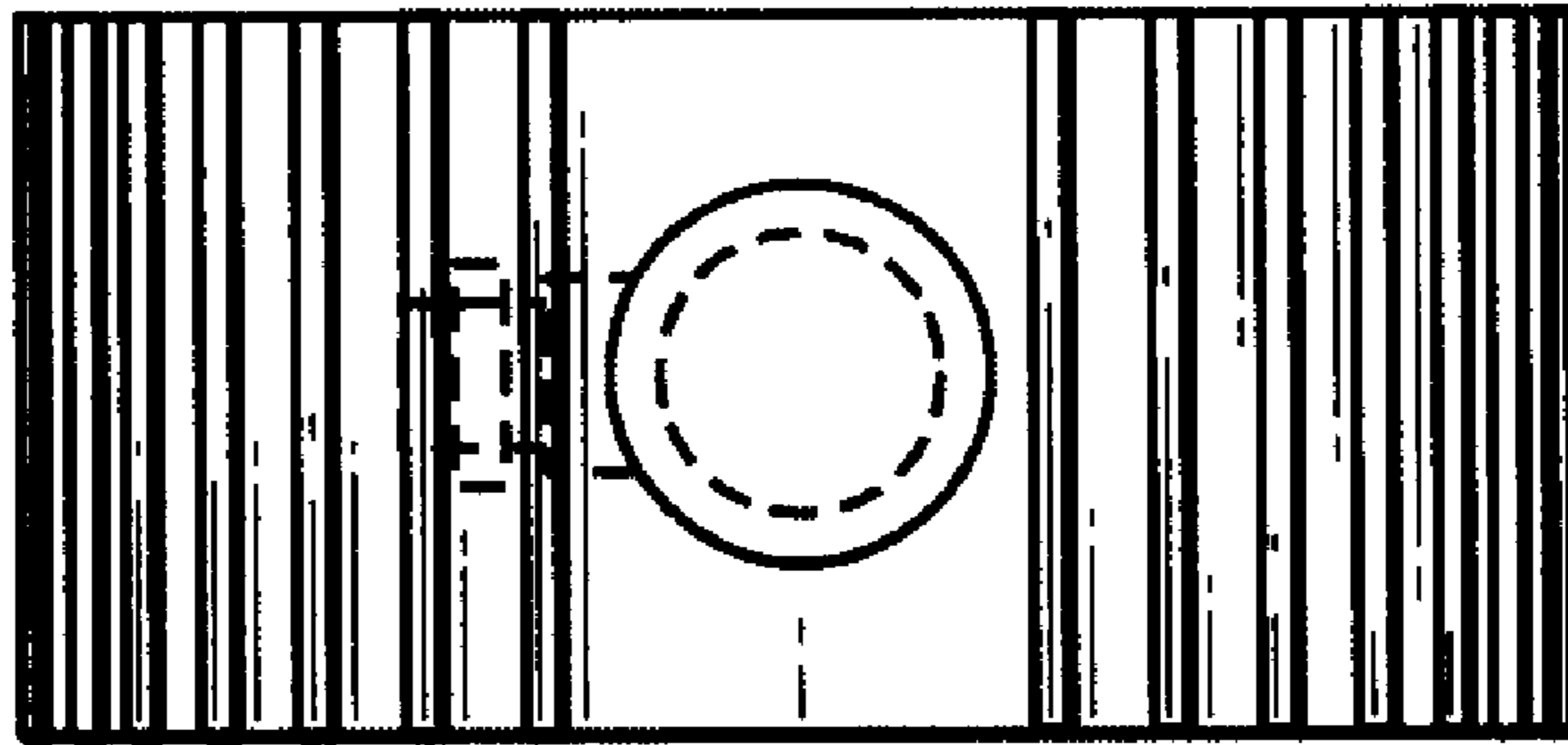


FIG. 6

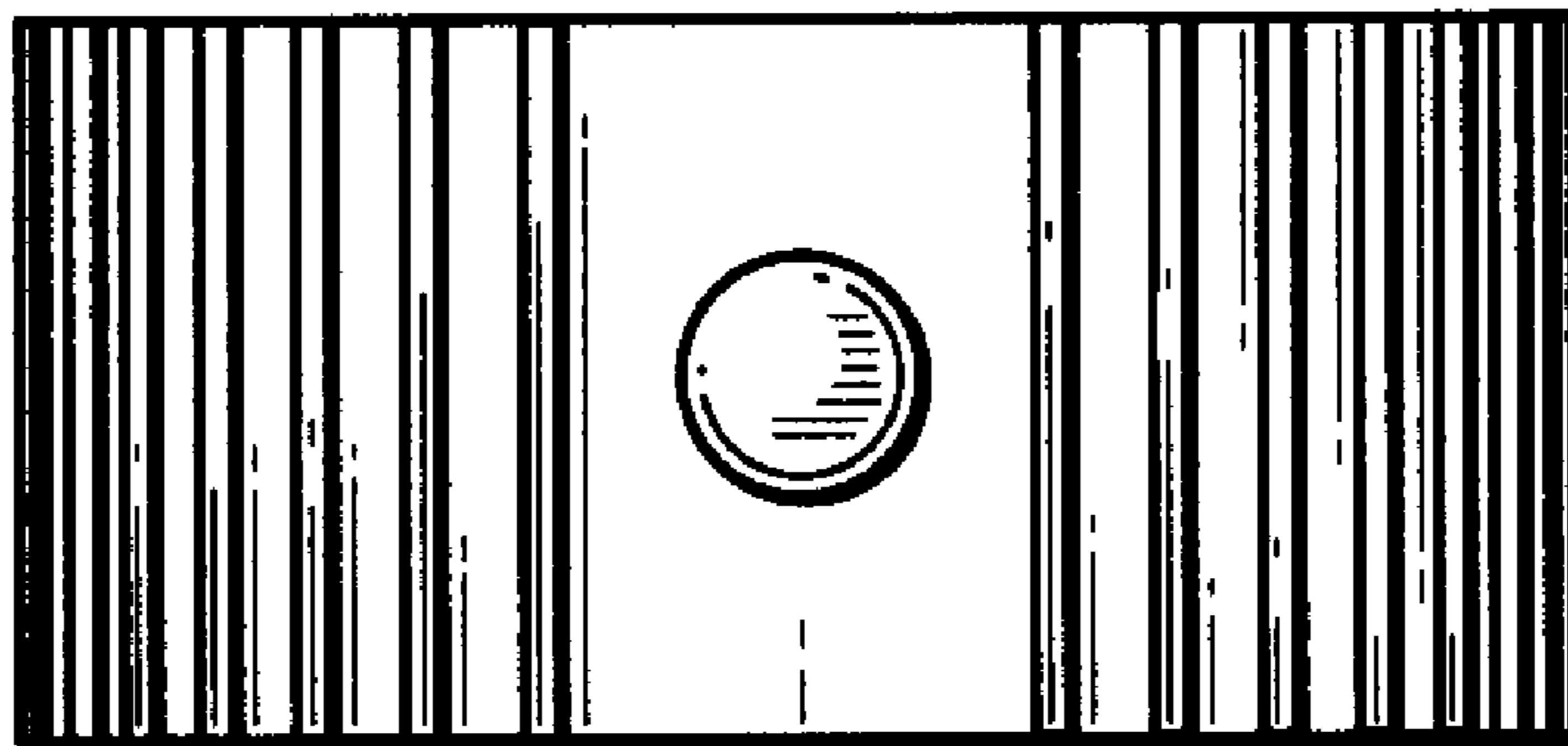


FIG. 7

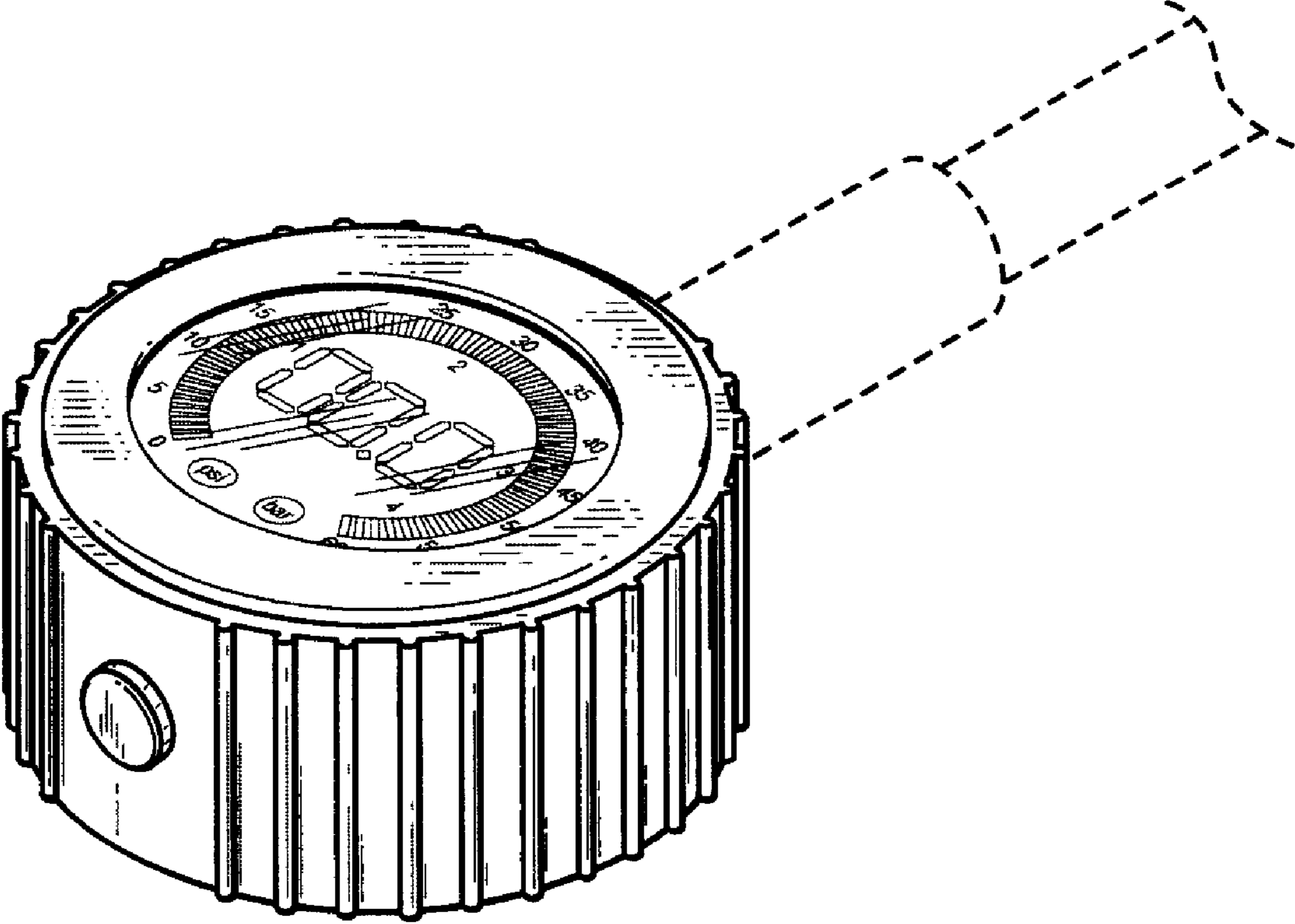


FIG. 8

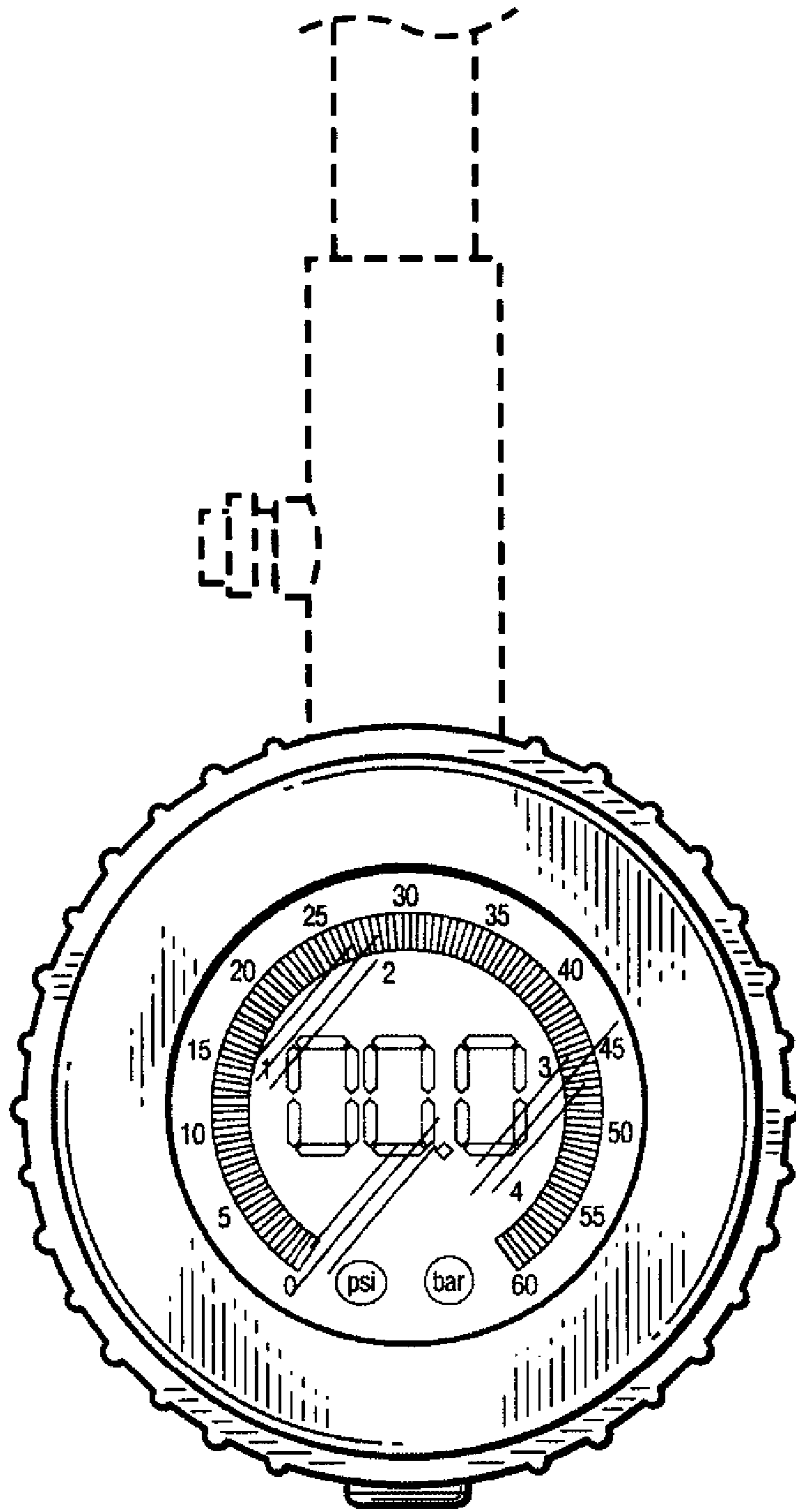


FIG. 9

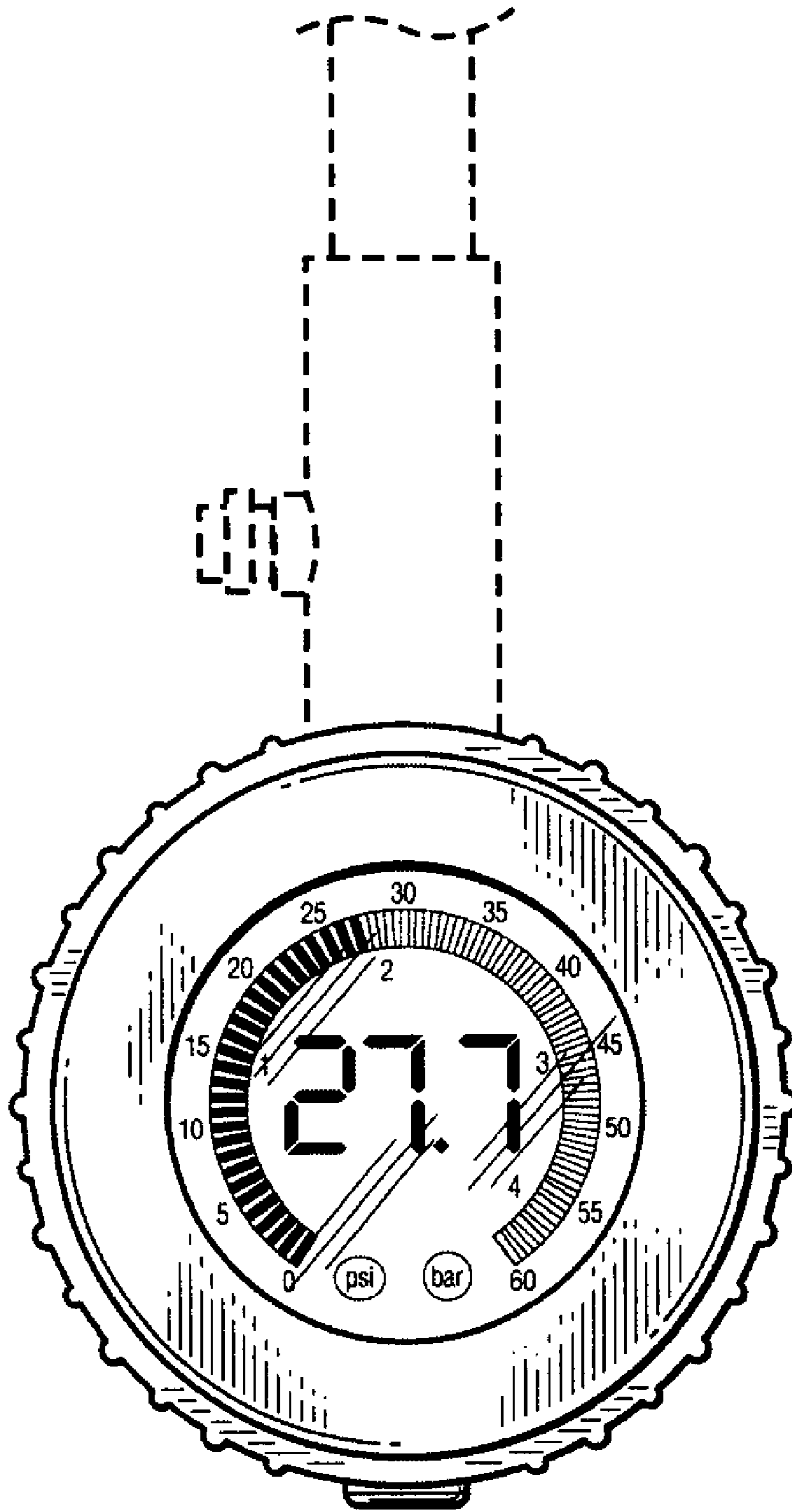


FIG. 10