

US00D528449S

(12) **United States Design Patent**
Petrucelli

(10) **Patent No.:** **US D528,449 S**

(45) **Date of Patent:** **** Sep. 19, 2006**

- (54) **TIRE PRESSURE GAUGE**
- (75) Inventor: **Steven Petrucelli**, Cranbury, NJ (US)
- (73) Assignee: **Measurement Limited**
- (**) Term: **14 Years**
- (21) Appl. No.: **29/251,103**
- (22) Filed: **Jan. 4, 2006**
- (51) **LOC (8) Cl.** **10-04**
- (52) **U.S. Cl.** **D10/86**
- (58) **Field of Classification Search** D10/86;
73/146.3, 146.8, 744; 116/34 R; 702/140
See application file for complete search history.

- D361,950 S 9/1995 Mascio D10/86
- D366,845 S 2/1996 Handfield et al. D10/86
- D366,846 S 2/1996 Handfield et al. D10/86
- D367,432 S 2/1996 Solloway D10/86
- 5,640,776 A 6/1997 Krauss 33/203
- D390,140 S 2/1998 Germanton D10/86
- D395,835 S 7/1998 Okuyama et al. D10/85
- D402,997 S 12/1998 Campbell et al. D15/7
- D409,509 S 5/1999 Petrucelli et al. D10/86
- D409,931 S 5/1999 Petrucelli et al. D10/86
- D419,085 S 1/2000 Prus D10/86
- D420,299 S 2/2000 Jahn D10/86
- D427,092 S 6/2000 Wu D10/86
- D427,093 S 6/2000 Wu D10/86
- D440,893 S 4/2001 Van Zeyl D10/86
- D440,894 S 4/2001 Van Zeyl D10/86
- D440,895 S 4/2001 Van Zeyl D10/86

(Continued)

(56) **References Cited**

U.S. PATENT DOCUMENTS

- D247,429 S 3/1978 Teal D10/86
- D259,863 S 7/1981 Eller D10/86
- D280,215 S 8/1985 Huang D19/36
- D286,270 S 10/1986 Huang D10/86
- D294,229 S 2/1988 Bonazzi D10/46
- 4,748,845 A 6/1988 Rocco et al. 73/146.8
- 4,782,448 A 11/1988 Milstein 364/464.01
- D300,729 S 4/1989 Skaggs et al. D10/86
- 4,827,764 A 5/1989 Hwang 73/146.8
- 4,845,980 A * 7/1989 Weng 73/744
- 4,916,944 A * 4/1990 Ho-Chuan 73/146.8
- 4,924,697 A 5/1990 Hunt et al. 73/146.8
- D314,159 S 1/1991 O'Connor D10/86
- 4,998,438 A 3/1991 Martin 73/146.8
- D316,980 S 5/1991 Brinker et al. D10/86
- D317,880 S 7/1991 Meehan D10/86
- 5,033,296 A 7/1991 Huang 73/146.8
- D320,170 S 9/1991 Hwang D10/86
- D320,756 S 10/1991 Ohno et al. D10/86
- 5,117,684 A 6/1992 Hwang 73/146.8
- D331,371 S 12/1992 Weng D10/86
- D335,465 S 5/1993 Garrison, III D10/86
- D336,735 S 6/1993 Nulsen D10/86
- D337,730 S 7/1993 Rosenfeld D10/86
- D338,839 S 8/1993 Akins D10/86
- D349,659 S 8/1994 Huang D10/86
- D352,252 S 11/1994 Huang D10/86

Primary Examiner—Antoine D. Davis

(74) *Attorney, Agent, or Firm*—Plevy, Howard & Darcy, PC

(57) **CLAIM**

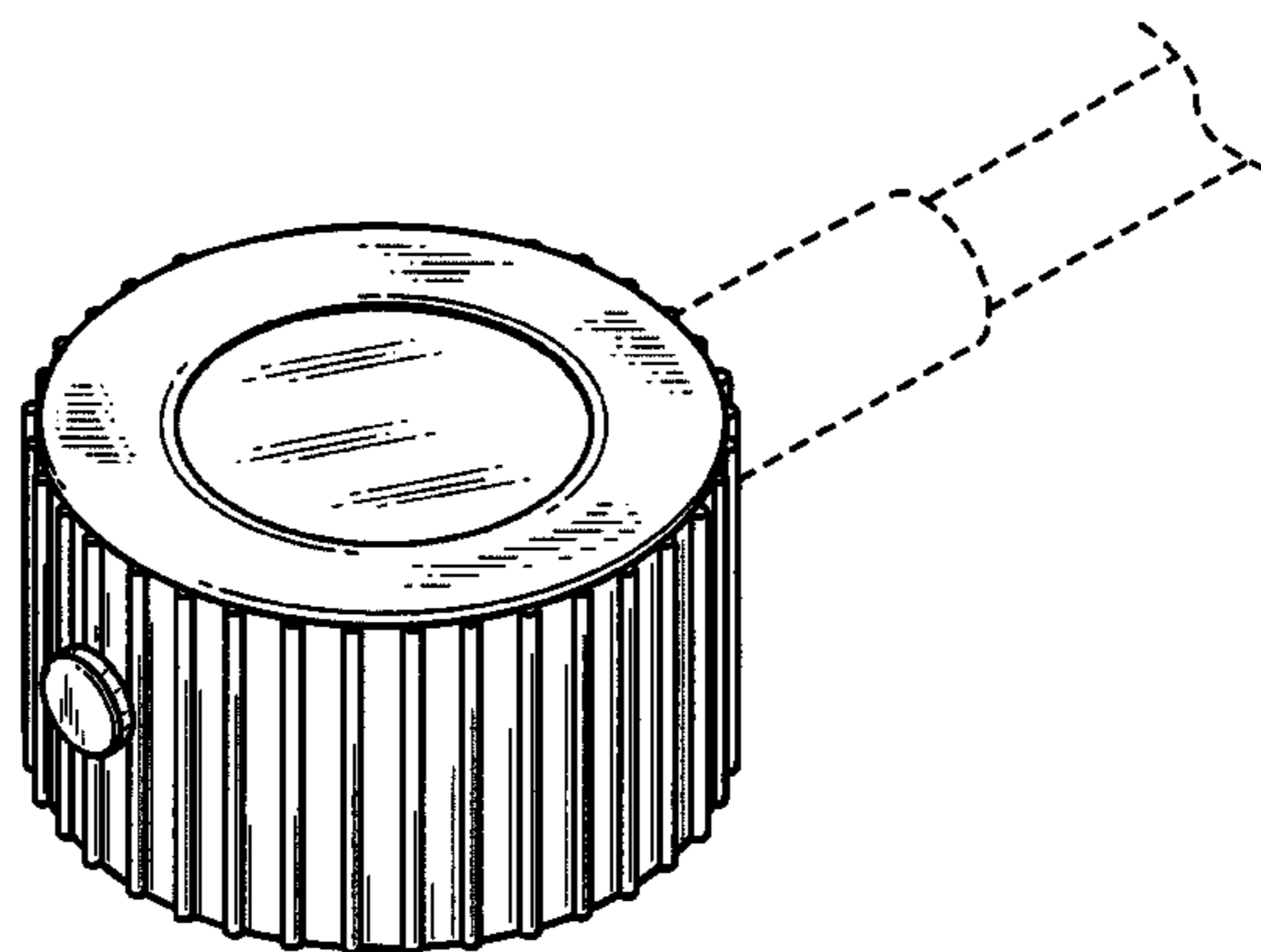
The ornamental design for a tire pressure gauge, as shown and described.

DESCRIPTION

FIG. 1 is a perspective view of a tire pressure gauge showing my new design;
 FIG. 2 is a front view of the tire pressure gauge of FIG. 1 showing my new design;
 FIG. 3 is a rear view of the tire pressure gauge of FIG. 1 showing my new design;
 FIG. 4 is a right-side elevational view of the tire pressure gauge of FIG. 1 showing my new design;
 FIG. 5 is a left-side elevational view of the tire pressure gauge of FIG. 1 showing my new design;
 FIG. 6 is a top view of the tire pressure gauge of FIG. 1 showing my new design; and,
 FIG. 7 is a bottom view of the tire pressure gauge of FIG. 1 showing my new design.

The matter shown in broken lines is shown for illustrative purposes only, and forms no part of the claimed invention.

1 Claim, 6 Drawing Sheets



US D528,449 S

Page 2

U.S. PATENT DOCUMENTS

D441,674 S	5/2001	Van Zeyl	D10/86	D496,602 S	9/2004	Shipman	D10/86
D447,970 S	9/2001	Cappiello et al.	D10/86	D498,154 S	11/2004	Wang	D10/86
D450,257 S	11/2001	Bressler et al.	D10/86	D501,146 S	1/2005	Durr et al.	D10/86
D455,361 S	4/2002	Super et al.	D10/86	D501,417 S	2/2005	Tseng	D10/86
D455,666 S	4/2002	Cappiello et al.	D10/86	D501,418 S	2/2005	Wang	D10/86
D458,857 S	6/2002	Tseng	D10/86	D502,214 S	2/2005	Davis et al.	D19/36
D459,257 S	6/2002	Petrucci	D10/86	D502,656 S	3/2005	Fujioka	D10/86
D459,668 S	7/2002	Petrucci	D10/86	D502,734 S	3/2005	Davis et al.	D19/36
D460,704 S	7/2002	Peele	D10/86	D502,735 S	3/2005	Davis et al.	D19/36
D462,627 S	9/2002	Petrucci	D10/86	D503,898 S	4/2005	Durr et al.	D10/86
D469,706 S	2/2003	Huang	D10/86	D504,630 S	5/2005	Wang	D10/86
D472,172 S	3/2003	Fujioka et al.	D10/86	D505,088 S	5/2005	Durr et al.	D10/86
D474,124 S	5/2003	Krieger et al.	D10/86	D505,871 S	6/2005	Little et al.	D10/85
D488,082 S	4/2004	Durr et al.	D10/86	D505,872 S	6/2005	Durr et al.	D10/86
D491,480 S	6/2004	Huang et al.	D10/86	D506,154 S	6/2005	Cowan et al.	D10/86
D492,608 S	7/2004	Fujioka	D10/86				

* cited by examiner

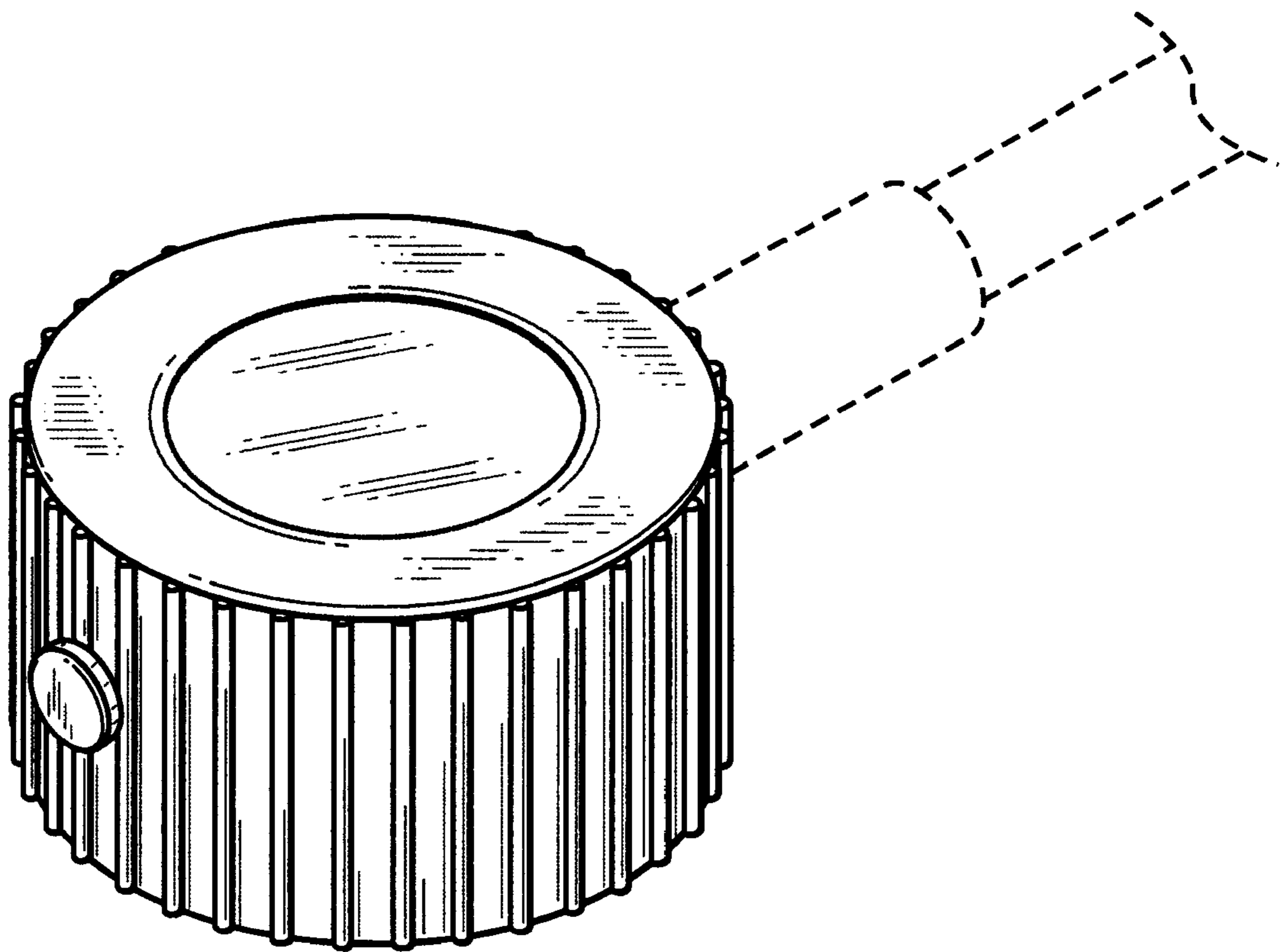


FIG. 1

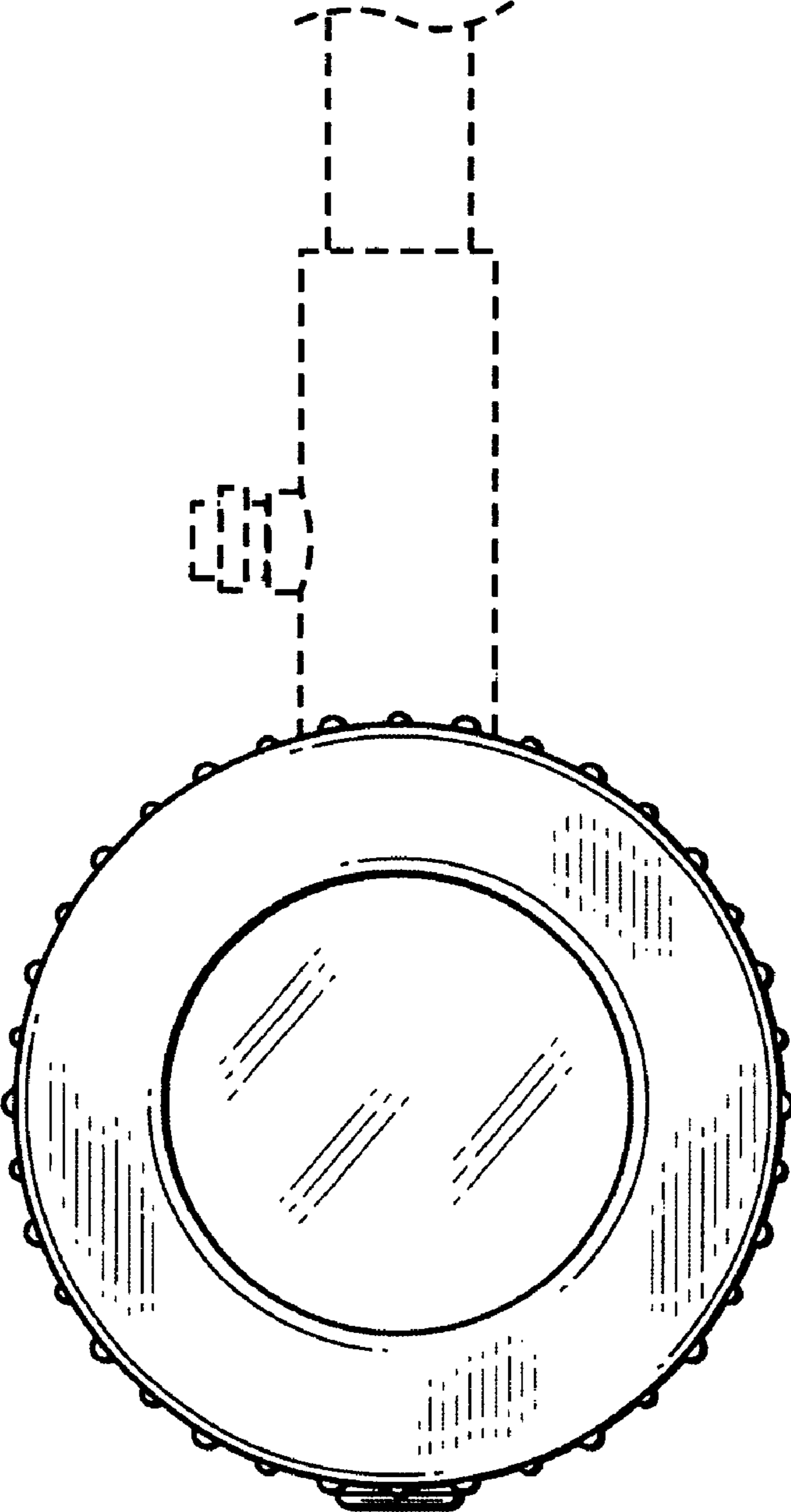


FIG. 2

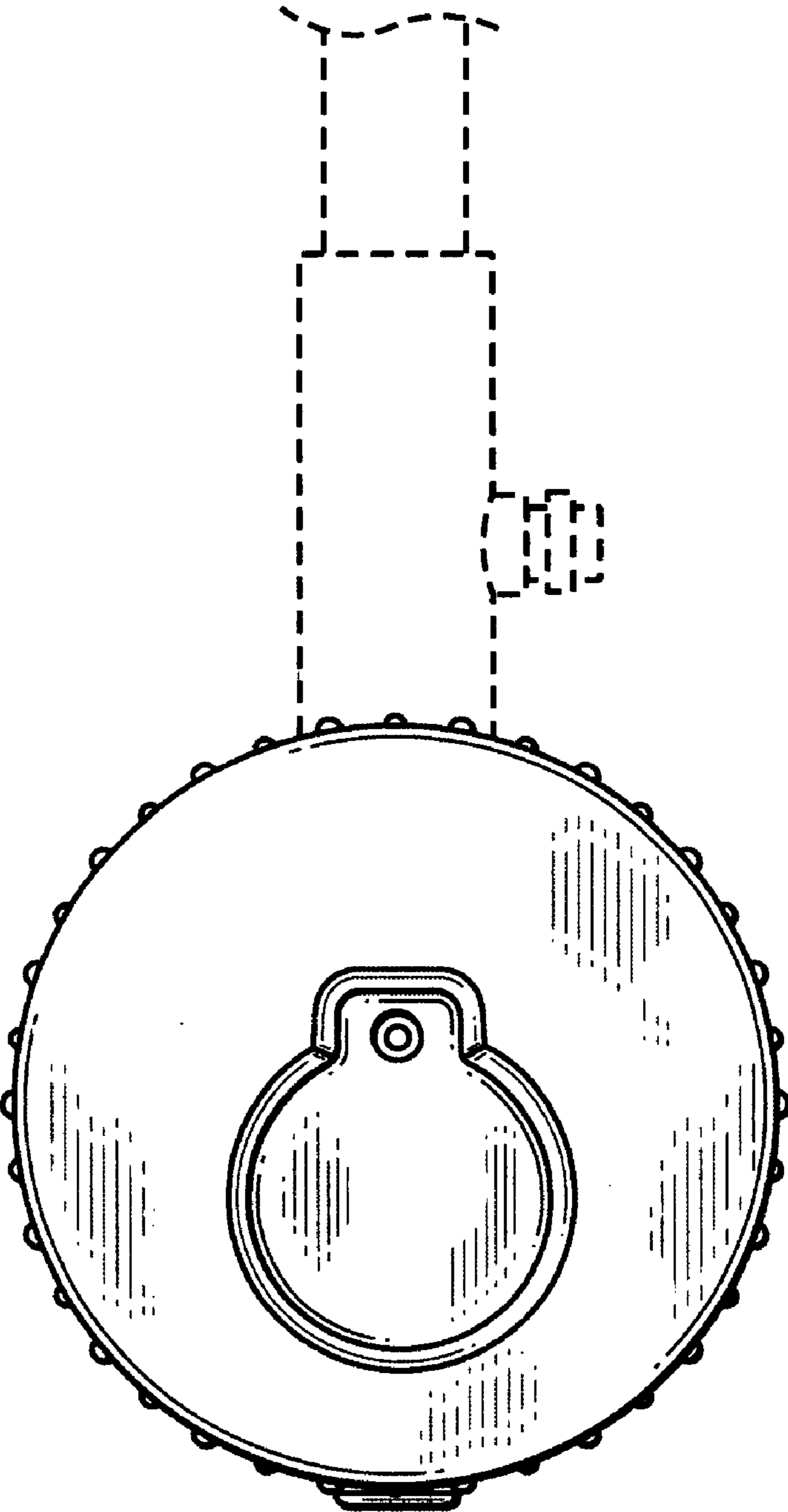


FIG. 3

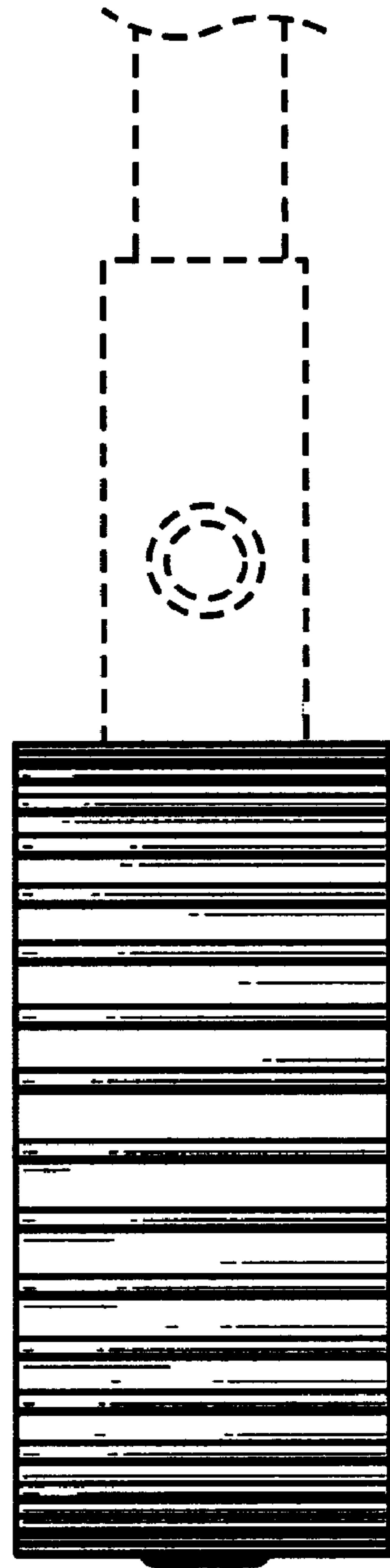


FIG. 4

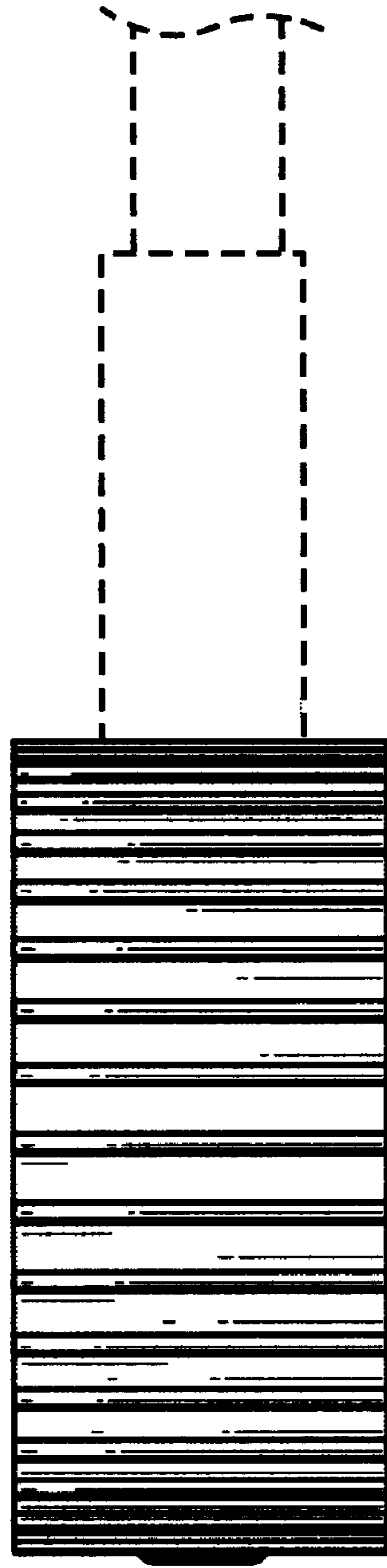


FIG. 5

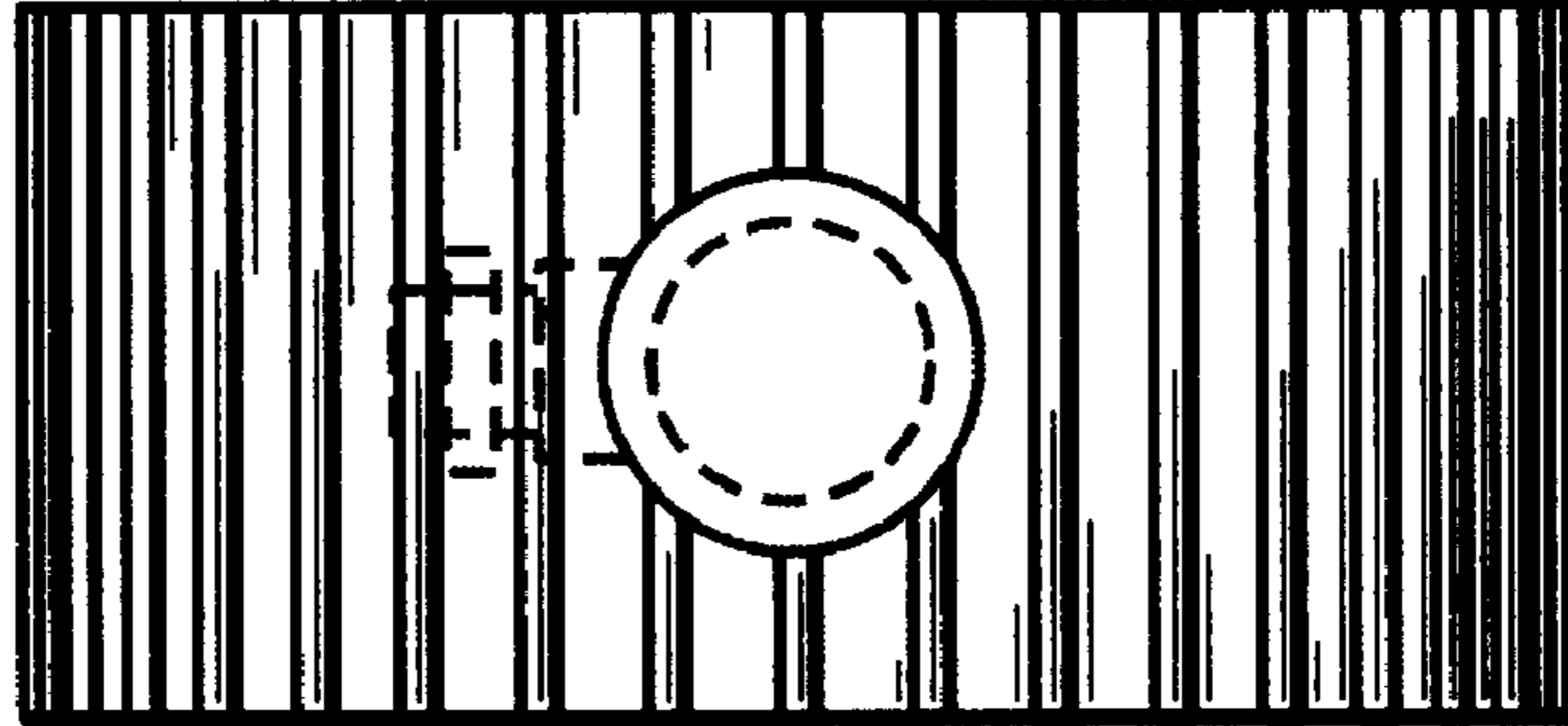


FIG. 6

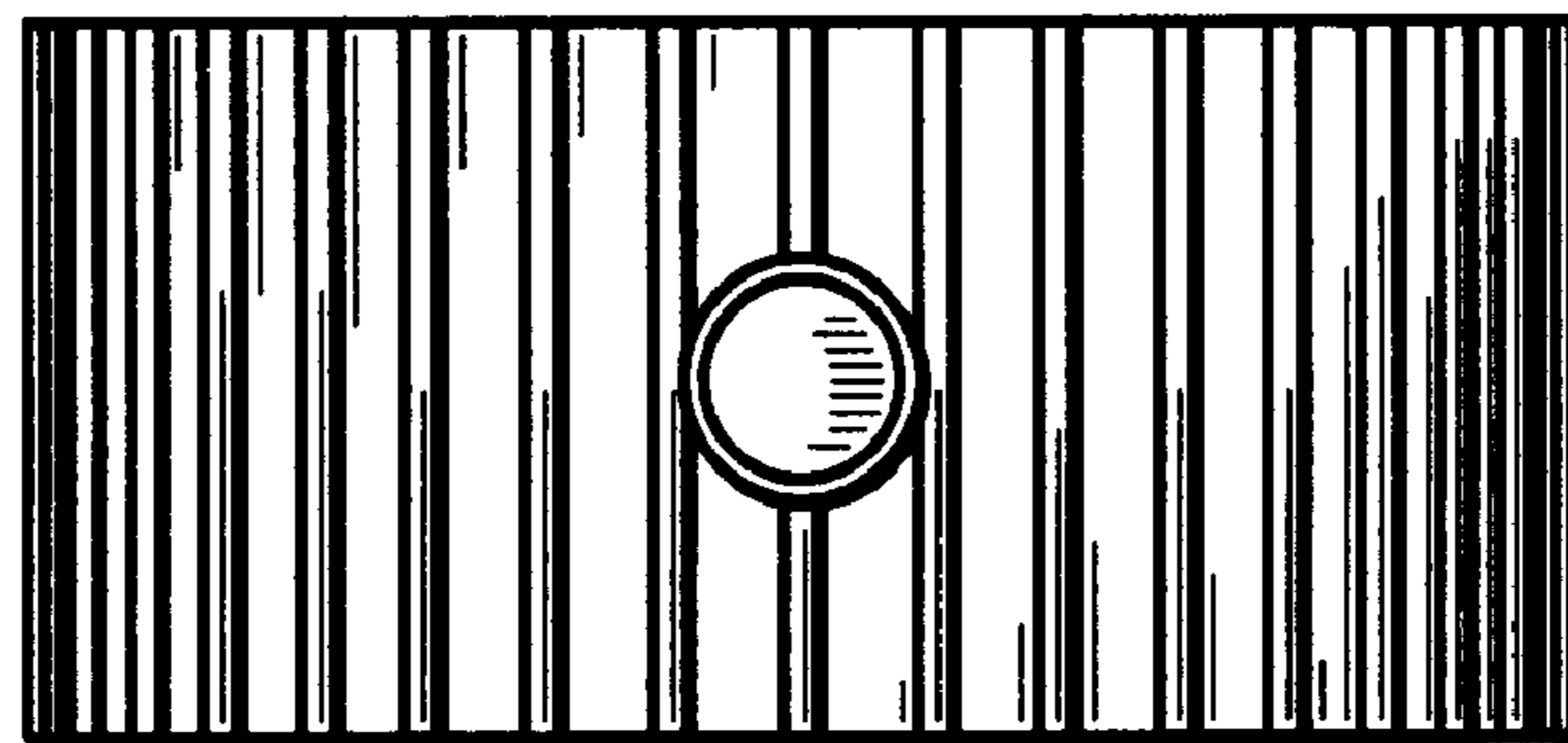


FIG. 7